



US00D745572S

(12) **United States Design Patent**
Bergman et al.

(10) **Patent No.:** **US D745,572 S**

(45) **Date of Patent:** **** Dec. 15, 2015**

(54) **CRUSHER FEED HOPPER WEAR PROTECTION CASSETTE**

(56) **References Cited**

U.S. PATENT DOCUMENTS

(71) Applicant: **SANDVIK INTELLECTUAL PROPERTY AB**, Sandviken (SE)
(72) Inventors: **Axel Bergman**, Malmö (SE); **Bengt-Arne Eriksson**, Svedala (SE); **Frederik Eriksson**, Malmö (SE); **Mikael Larsson**, Eslov (SE); **Patric Malmqvist**, Svedala (SE)

1,215,725	A *	2/1917	Shelley	119/52.1
1,240,864	A *	9/1917	McCullough	119/52.1
2,791,200	A *	5/1957	Palmer, Jr.	119/57.6
3,145,855	A *	8/1964	Plugge et al.	414/302
3,306,257	A *	2/1967	Conover	119/515
D254,256	S *	2/1980	Ackers et al.	D15/123
4,887,550	A *	12/1989	Pirovano	119/56.2
5,794,561	A *	8/1998	Schulz	119/52.1
6,851,461	B2 *	2/2005	McNicol et al.	144/208.9
7,850,103	B2 *	12/2010	Eriksson et al.	241/30

(Continued)

Primary Examiner — Cynthia Ramirez

Assistant Examiner — Gino Colan

(74) *Attorney, Agent, or Firm* — Corinne R. Gorski

(73) Assignee: **Sandvik Intellectual Property AB**, Sandviken (SE)

(**) Term: **14 Years**

(57) **CLAIM**

(21) Appl. No.: **29/454,741**

The ornamental design for a crusher feed hopper wear protection cassette, as shown and described.

(22) Filed: **May 14, 2013**

DESCRIPTION

(30) **Foreign Application Priority Data**

Nov. 14, 2012	(EM)	001351126-0001
Nov. 14, 2012	(EM)	001351126-0002
Nov. 14, 2012	(EM)	001351126-0003
Nov. 14, 2012	(EM)	001351126-0004
Nov. 14, 2012	(EM)	001351126-0005

FIG. 1 is a perspective view of a first embodiment of a crusher feed hopper wear protection cassette; FIG. 2 is a top view thereof; FIG. 3 is a bottom view thereof; FIG. 4 is a front view thereof; FIG. 5 is a rear view thereof; FIG. 6 is a side view thereof; and FIG. 7 is a side view of the other side thereof; FIG. 8 is a perspective view of a second embodiment of a crusher feed hopper wear protection cassette; FIG. 9 is a top view thereof; FIG. 10 is a bottom view thereof; FIG. 11 is a front view thereof; FIG. 12 is a rear view thereof; FIG. 13 is a side view thereof; and, FIG. 14 is a side view of the other side thereof. The broken lines in the figures are for illustrative purposes only and form no part of the claimed design.

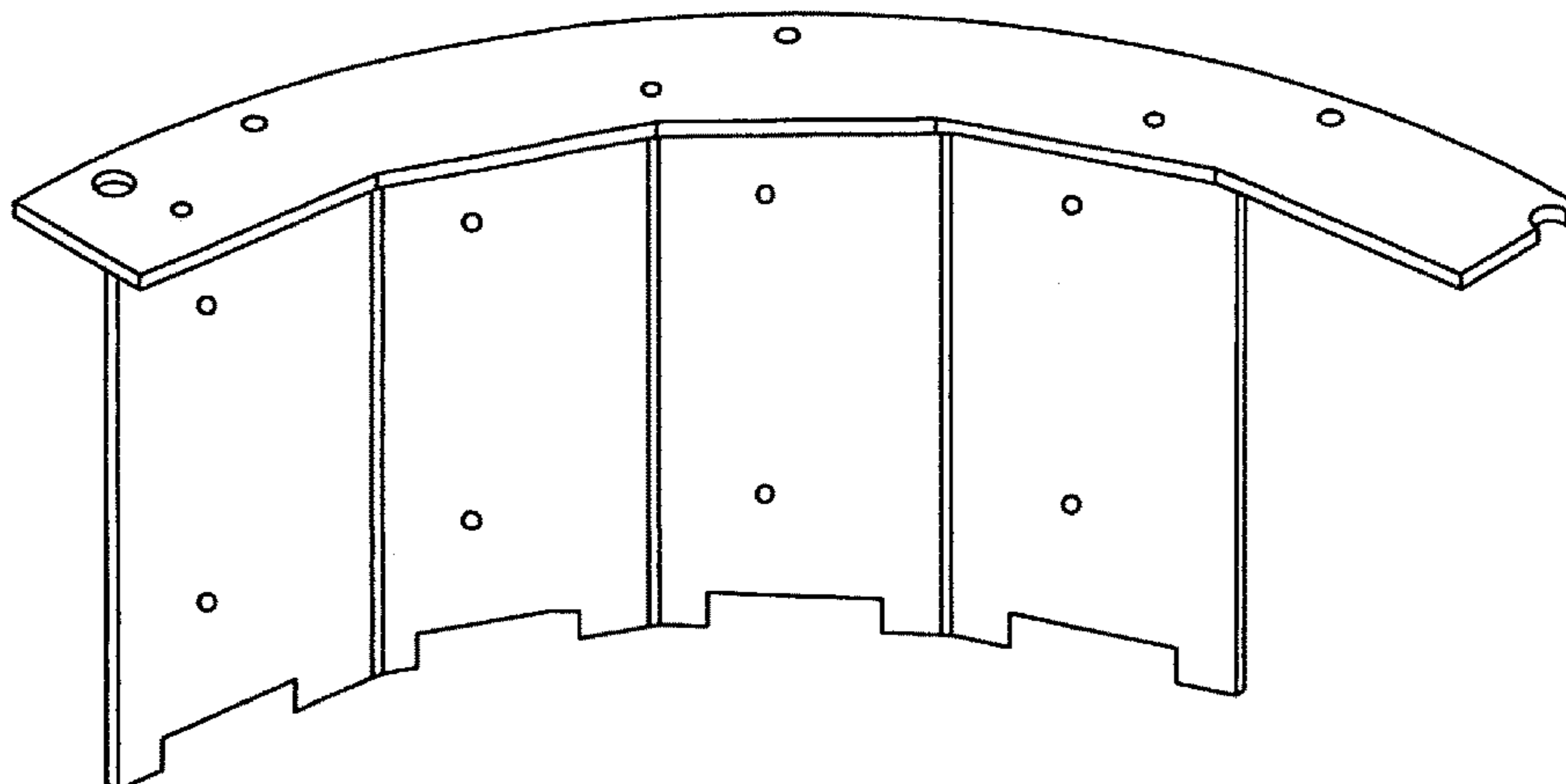
(51) **LOC (10) Cl.** **15-03**

(52) **U.S. Cl.**
USPC **D15/28**

(58) **Field of Classification Search**
USPC D15/28, 10-27, 29-33, 122, 123;
119/57.6, 52.1, 57.5, 57.92; 222/185.1;
72/448, 455; 241/31, 58, 159, 178, 236
CPC B02C 13/286; B02C 13/282; B02C
2013/28681; B02C 19/22; B02C 2/04; B02C
4/06

See application file for complete search history.

1 Claim, 14 Drawing Sheets



US D745,572 S

Page 2

(56)

References Cited

U.S. PATENT DOCUMENTS

			2002/0108579	A1 *	8/2002	Borries	119/52.1
			2003/0145738	A1 *	8/2003	Bowen et al.	99/353
			2008/0178815	A1 *	7/2008	Meritt	119/52.4
7,857,248	B2 *	12/2010	Eriksson et al.				241/207
D713,431	S *	9/2014	Malmqvist et al.				D15/123

* cited by examiner

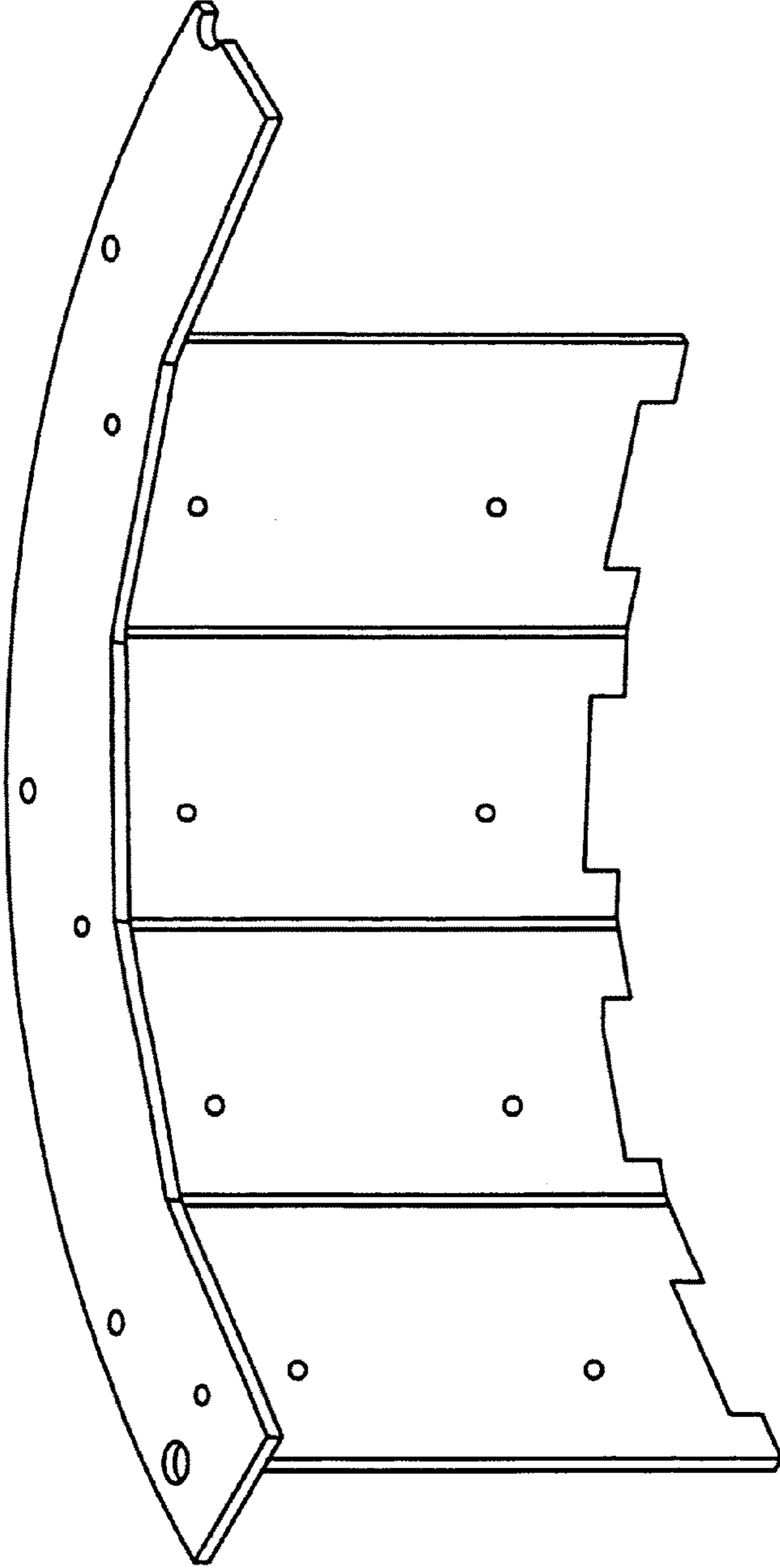


Fig. 1

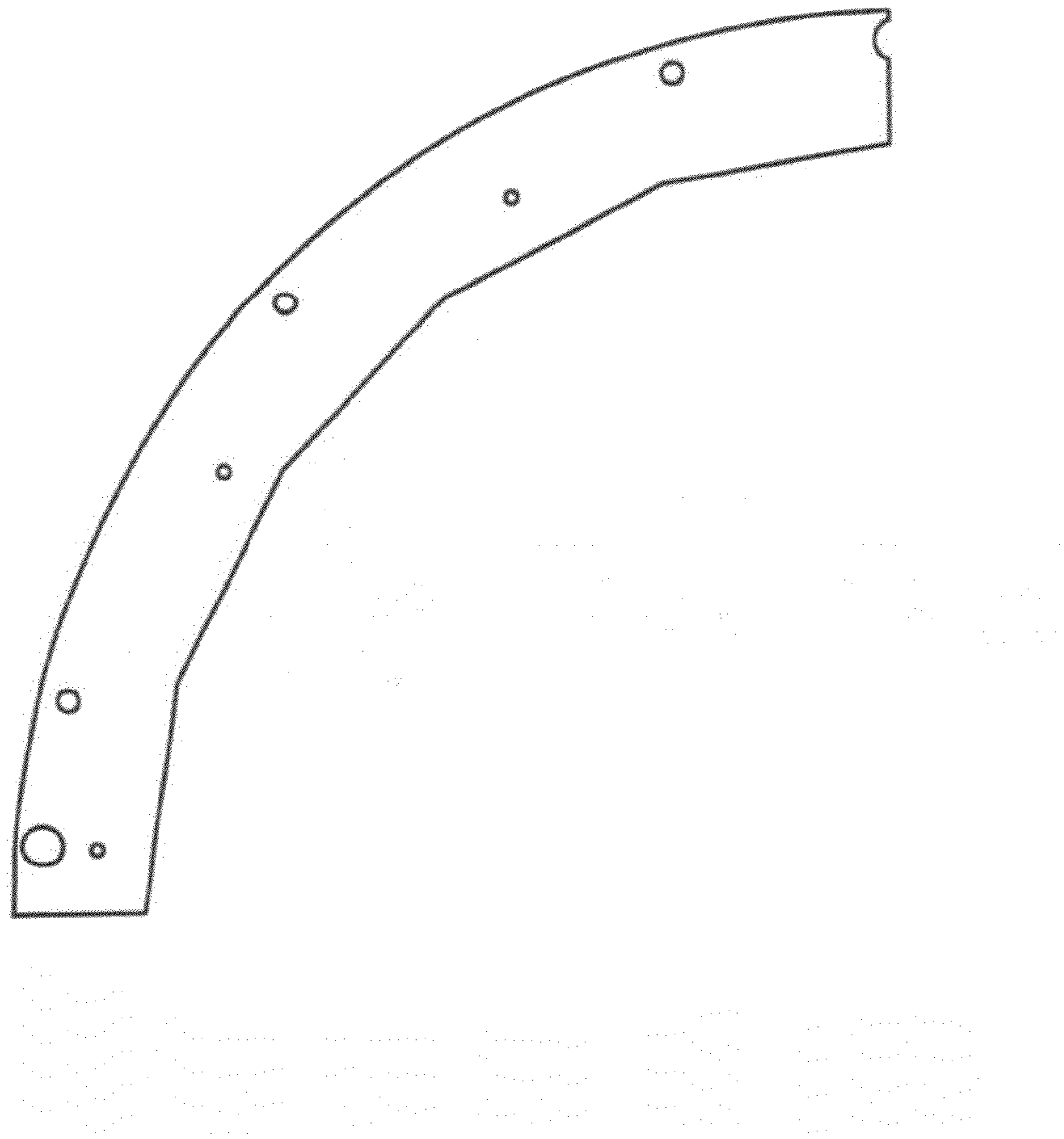


Fig. 2

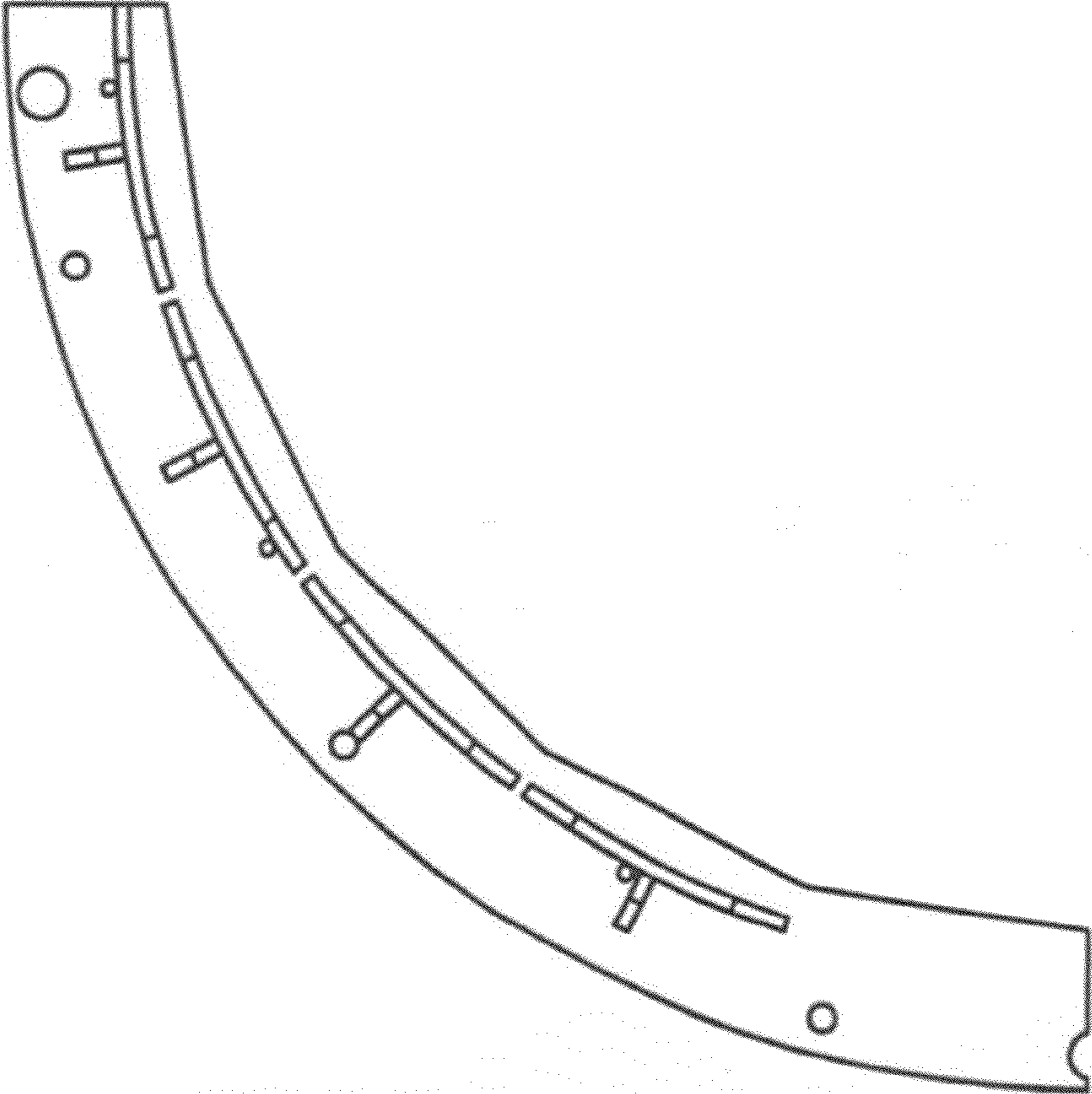


Fig. 3

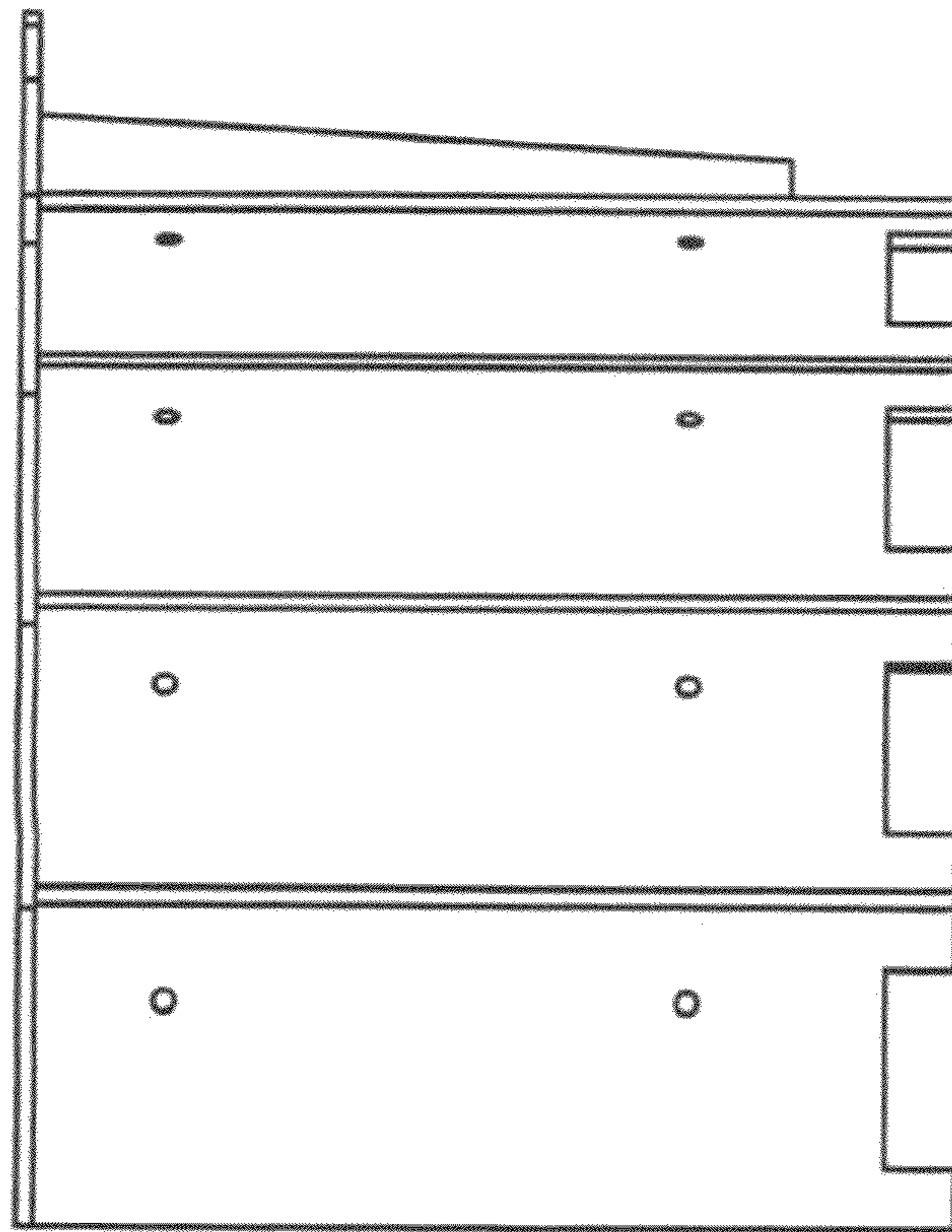


Fig. 4

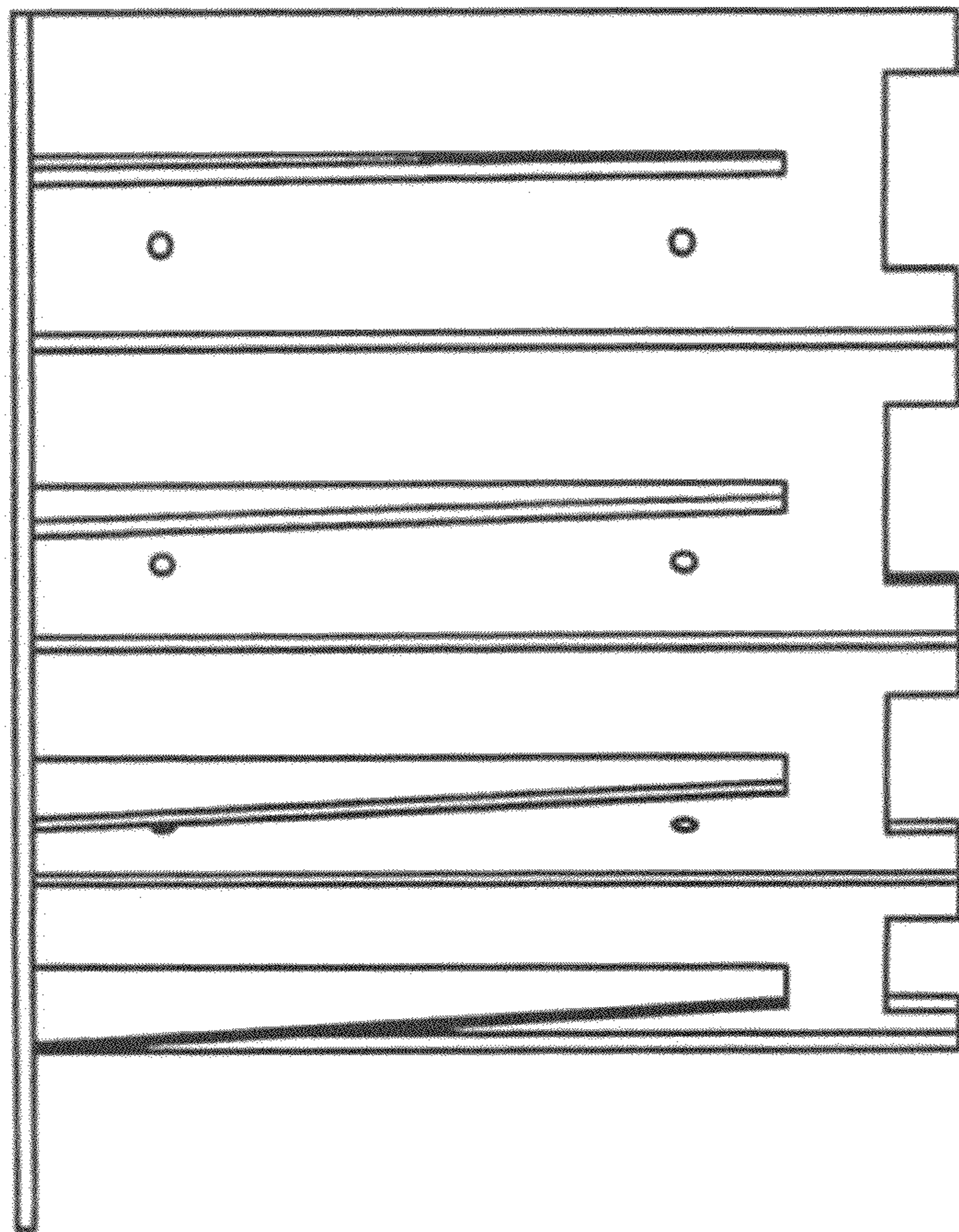


Fig. 5

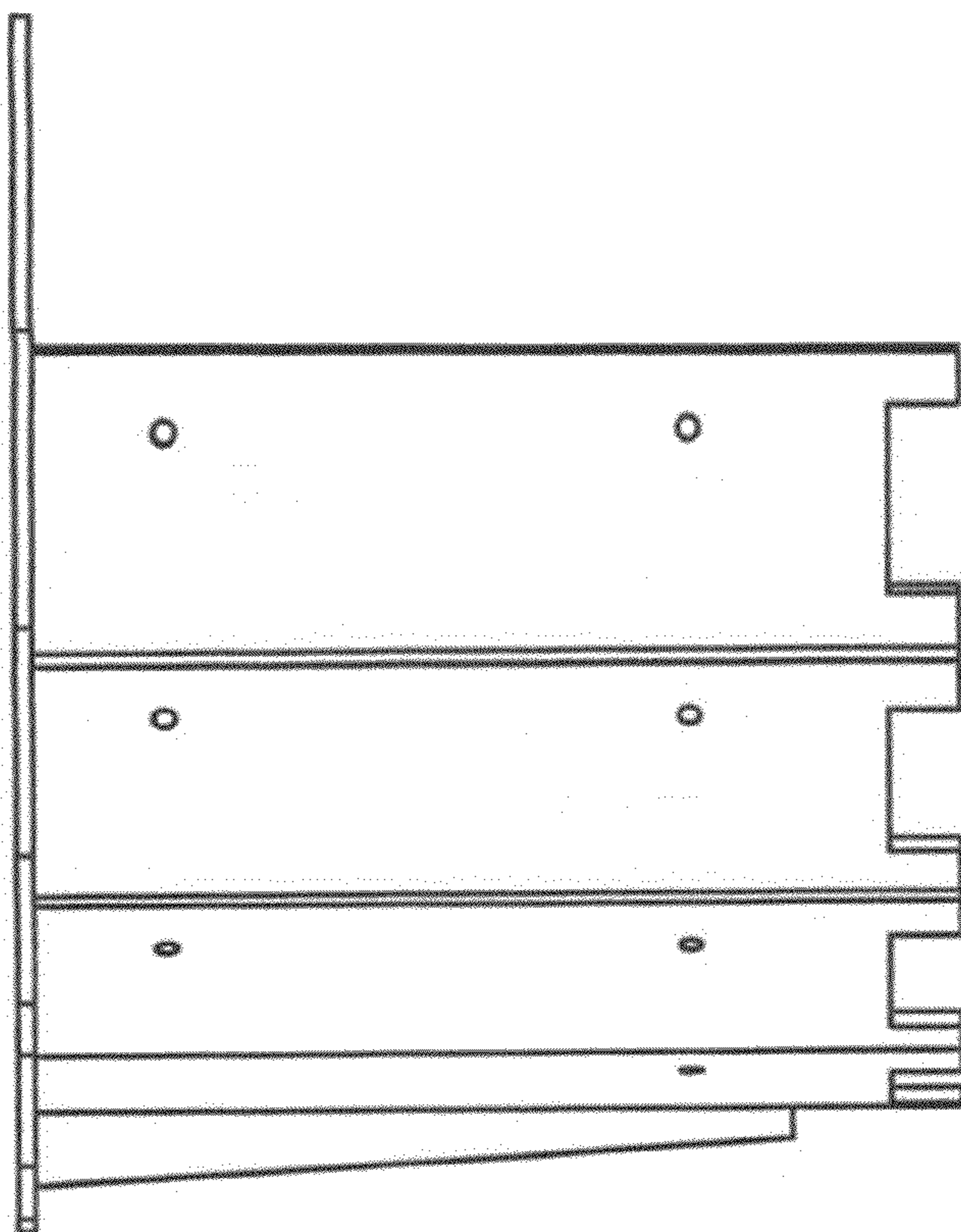


Fig. 6

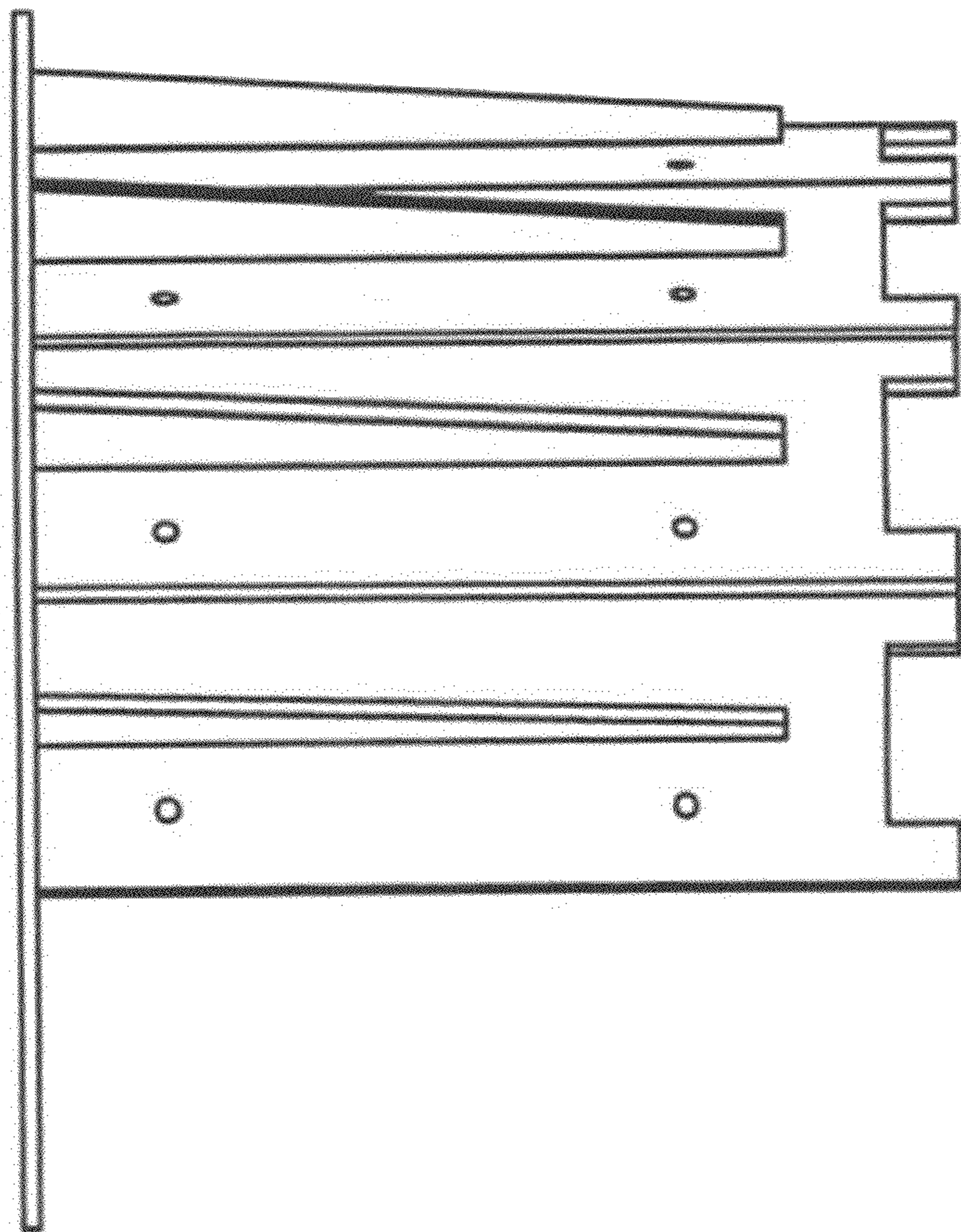


Fig. 7

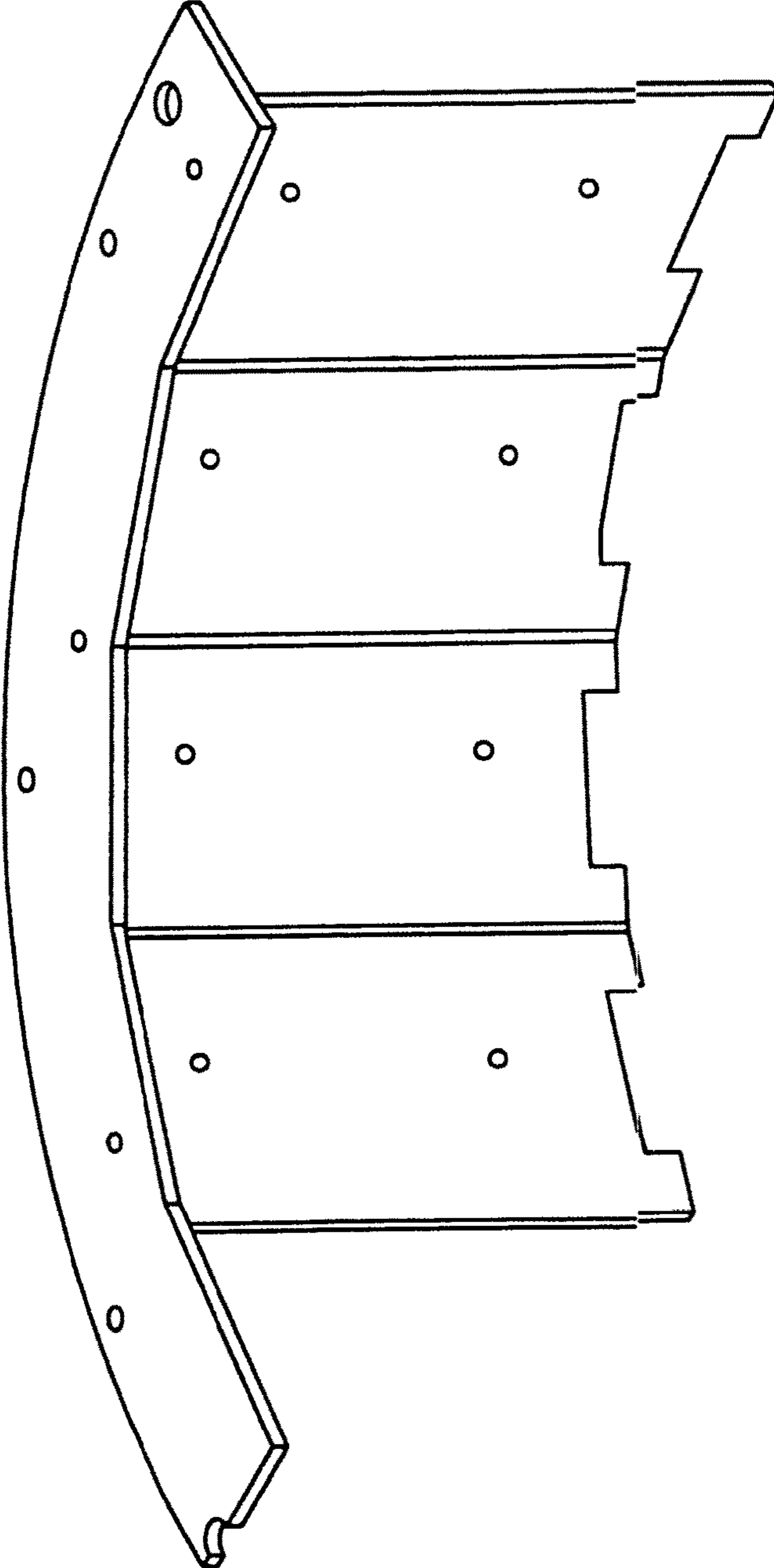


Fig. 8

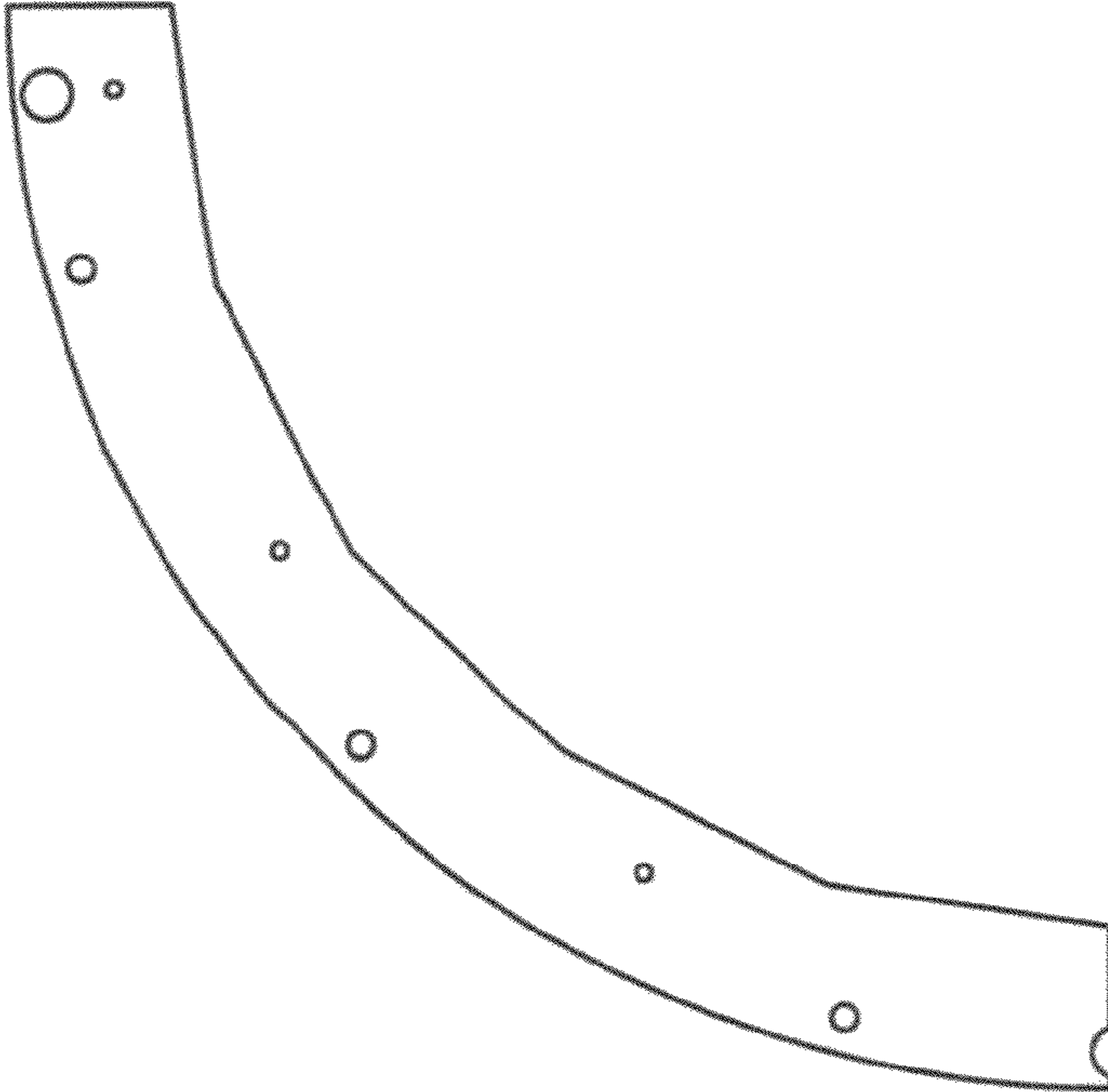


Fig. 9

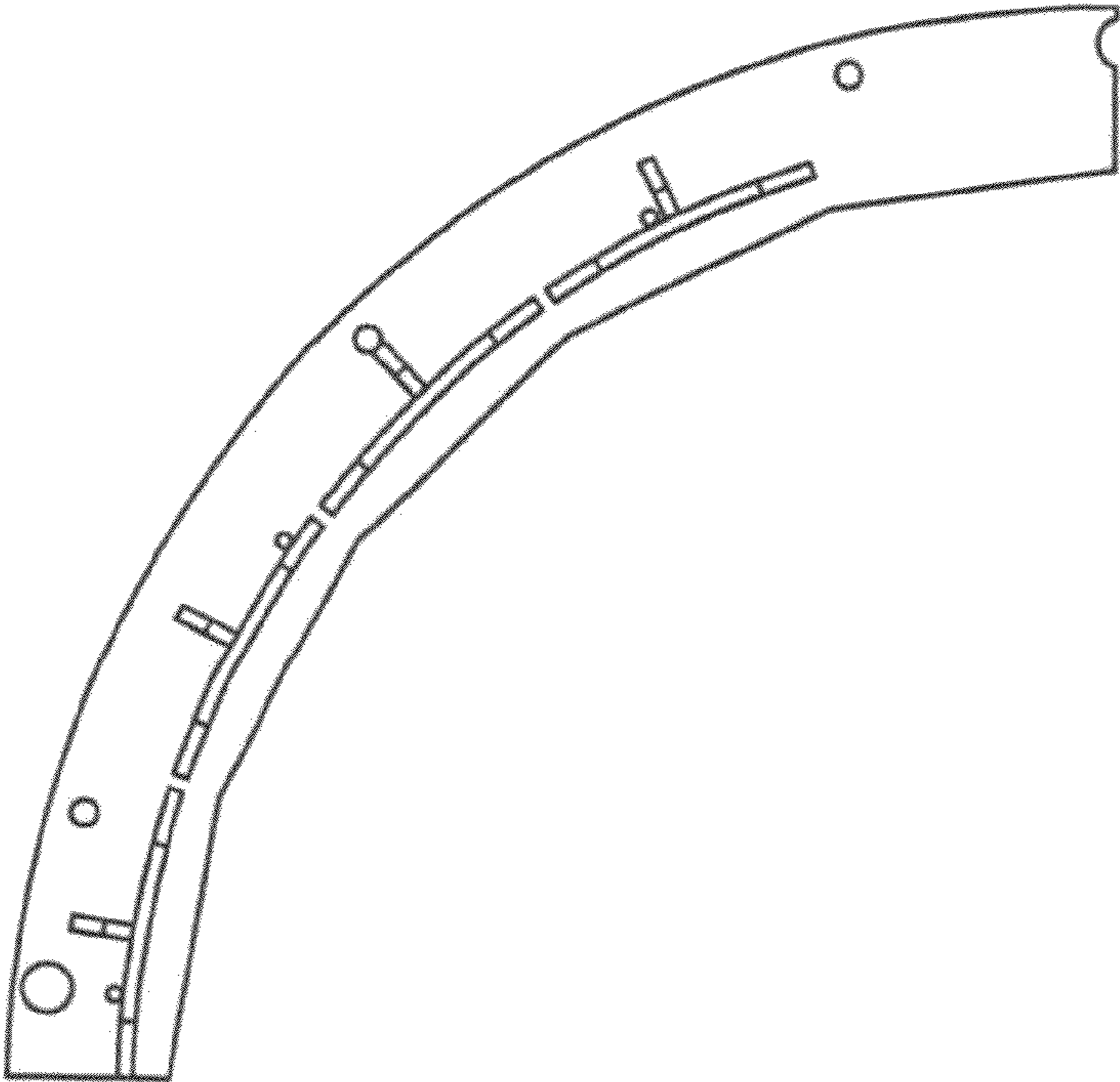


Fig. 10

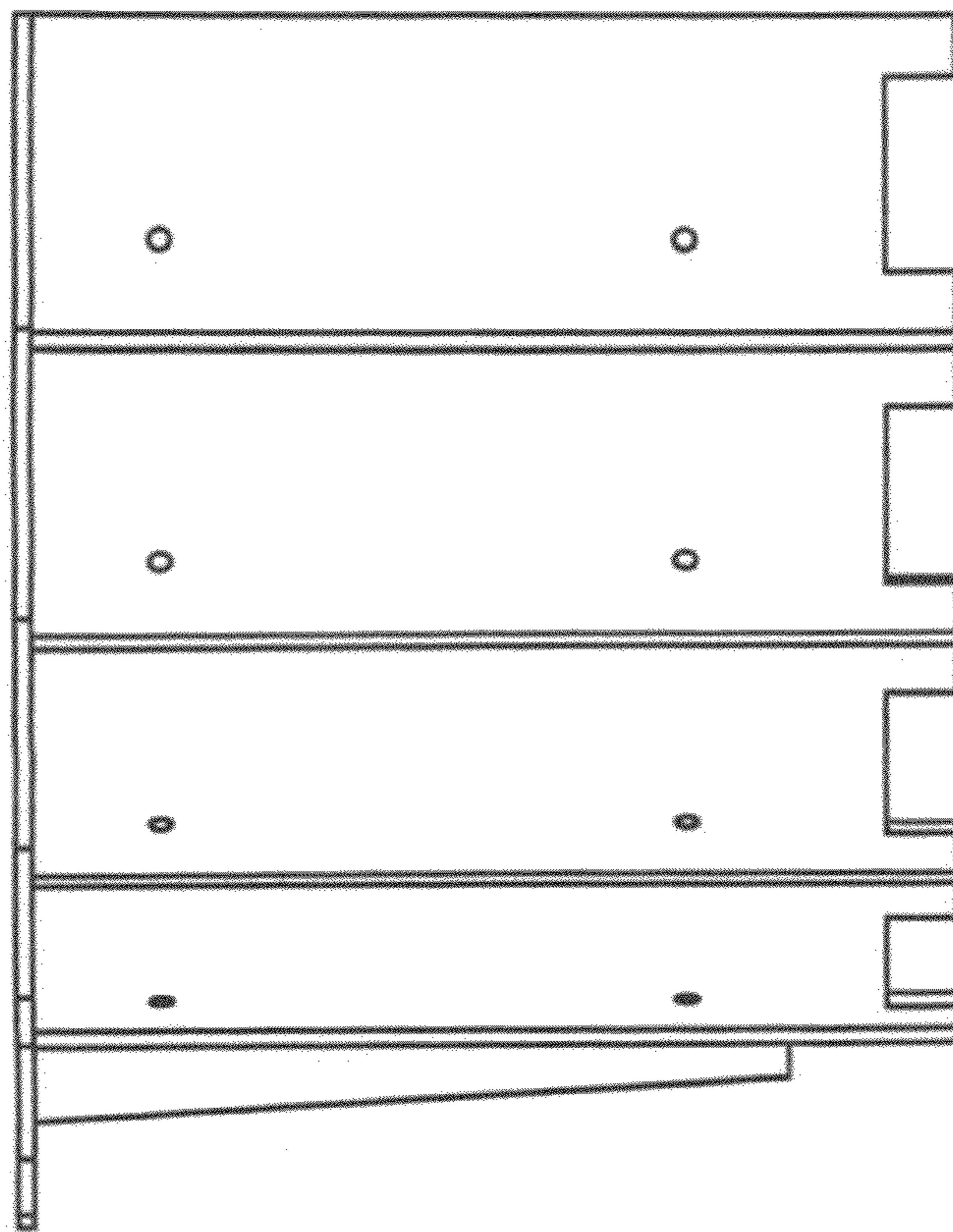


Fig. 11

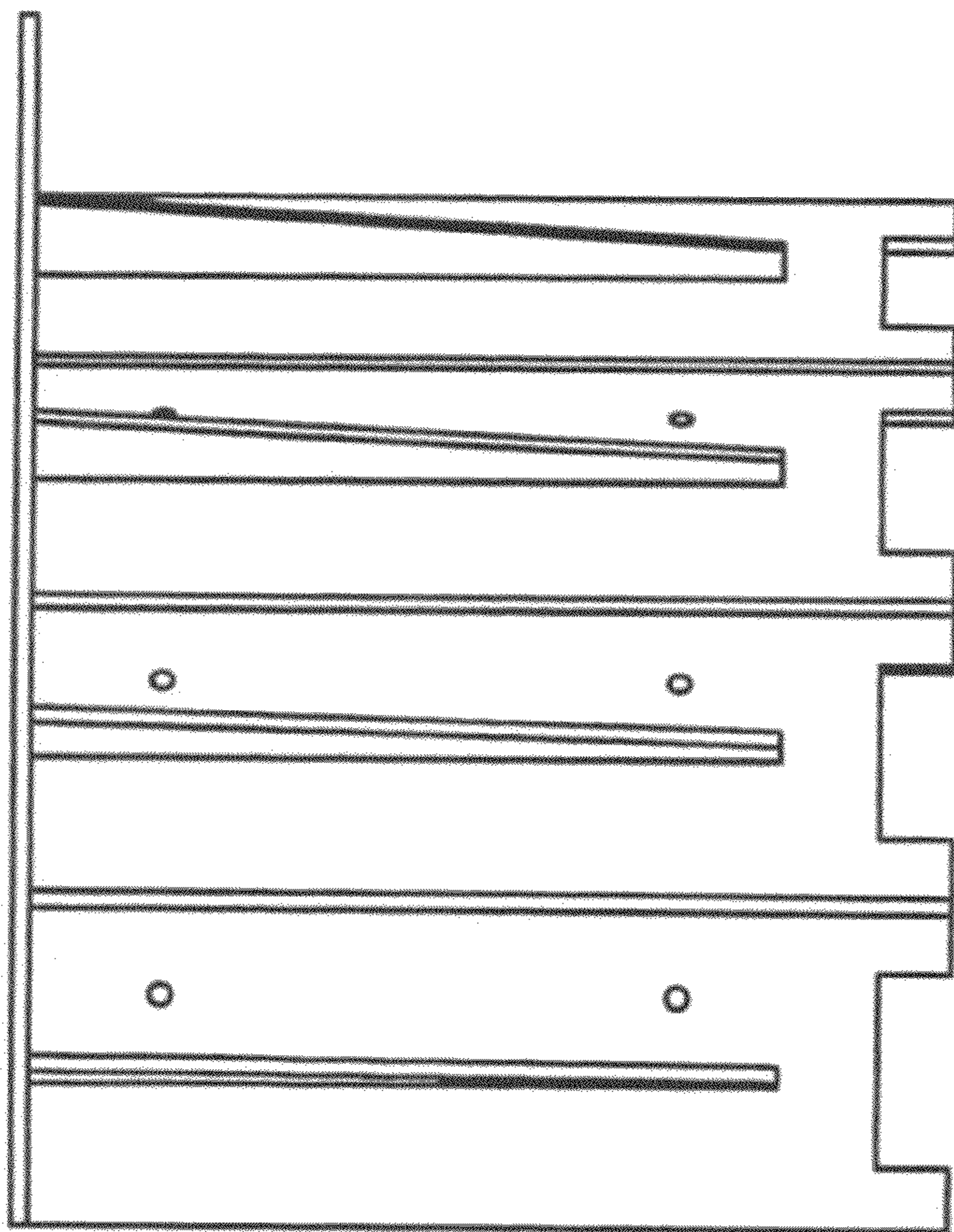


Fig. 12

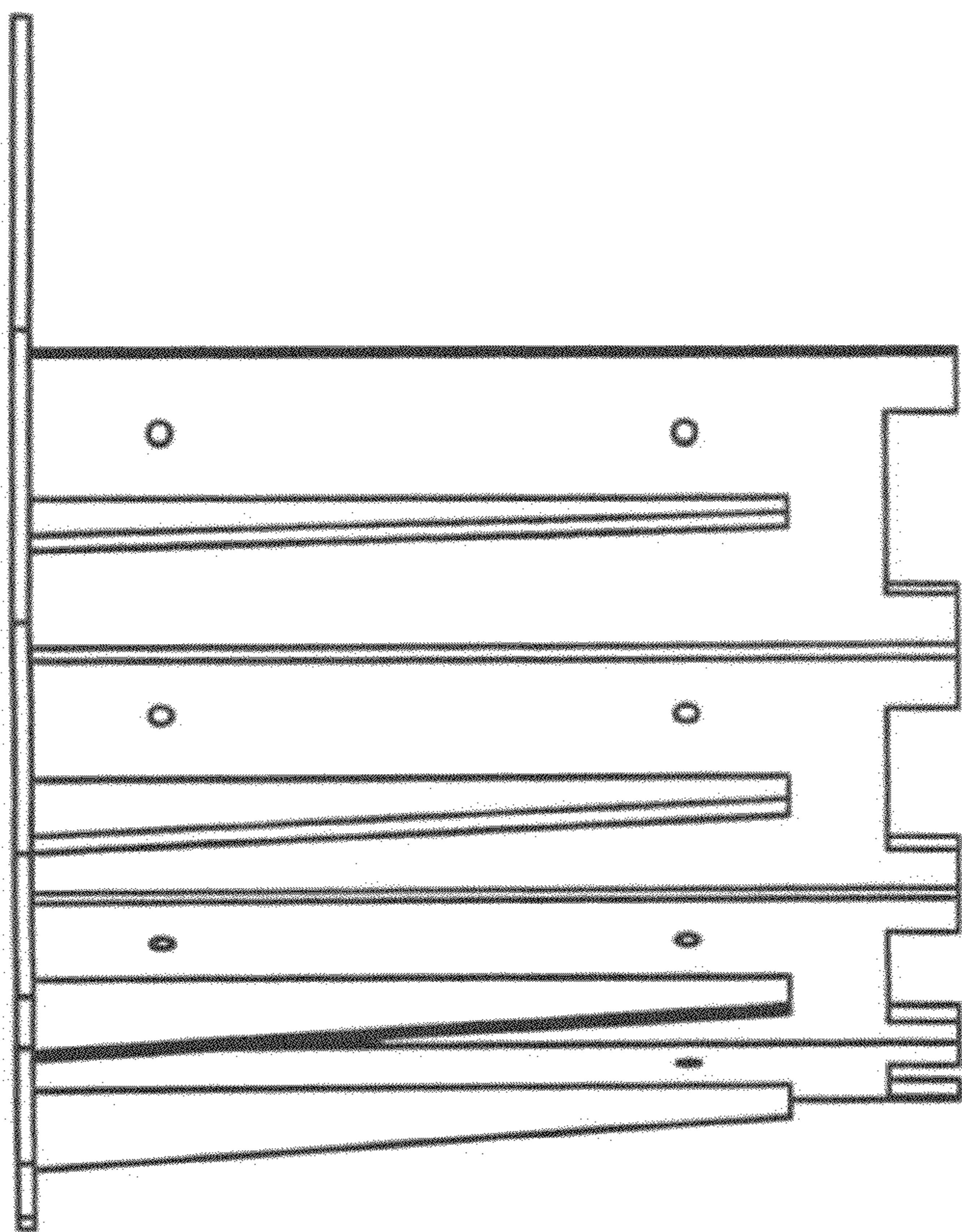


Fig. 13

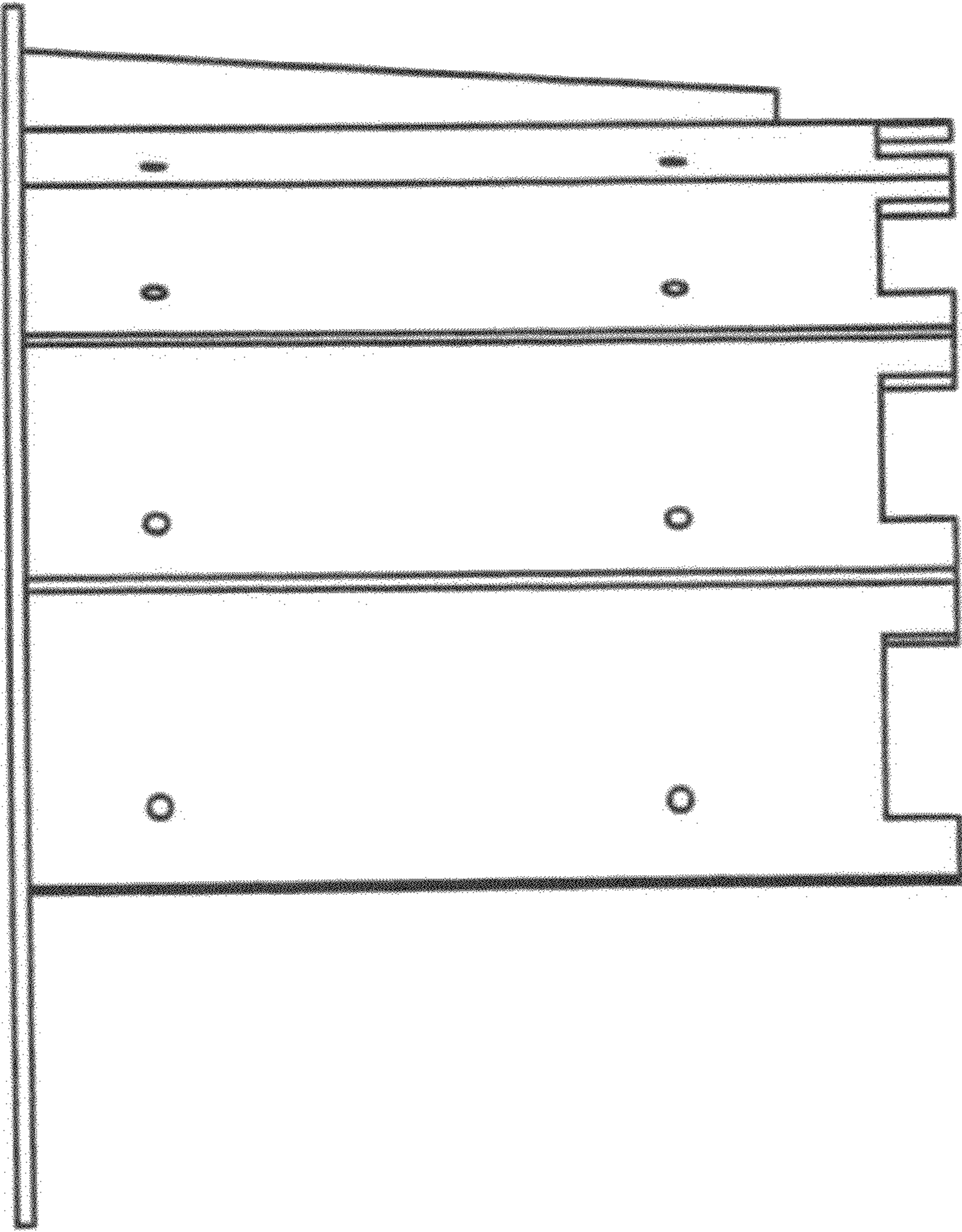


Fig. 14