



US00D745570S

(12) **United States Design Patent**
Scott et al.

(10) **Patent No.:** **US D745,570 S**

(45) **Date of Patent:** **** Dec. 15, 2015**

(54) **BICYCLE PUMP**

(71) Applicants: **Michael Scott**, Dallas, TX (US);
Matthew Karaus, North Bend, WA (US)

(72) Inventors: **Michael Scott**, Dallas, TX (US);
Matthew Karaus, North Bend, WA (US)

(73) Assignee: **Sol Marketing Concepts Inc.**, Austin,
TX (US)

(**) Term: **14 Years**

(21) Appl. No.: **29/497,127**

(22) Filed: **Jul. 21, 2014**

(51) **LOC (10) Cl.** **15-02**

(52) **U.S. Cl.**
USPC **D15/7**

(58) **Field of Classification Search**
USPC D15/7-9; D23/231, 232, 225; 417/60,
417/235, 265, 321, 355, 358, 363, 359,
417/410.1, 415-416, 405, 900, 63; 60/408,
60/412; 184/26-37; 415/140-147;
123/495, 509; 137/565.34; 152/415
CPC F02M 37/04; F02M 37/14
See application file for complete search history.

(56) **References Cited**

U.S. PATENT DOCUMENTS

D323,876 S * 2/1992 Furusawa D23/231
D351,896 S * 10/1994 Sundheim et al. D23/231

5,715,554 A * 2/1998 Downs et al. 7/138
D392,650 S * 3/1998 Zarnowitz D15/7
6,814,552 B2 * 11/2004 Wu 417/440
7,331,768 B2 * 2/2008 Wu 417/63
D596,202 S * 7/2009 van der Blom D15/7
7,789,638 B2 * 9/2010 Chuang 417/429
D632,306 S * 2/2011 Wang D15/7
D632,307 S * 2/2011 Wang D15/7

* cited by examiner

Primary Examiner — Ralf Seifert

(74) *Attorney, Agent, or Firm* — Darren J. Jones; Lowe
Graham Jones LLP

(57) **CLAIM**

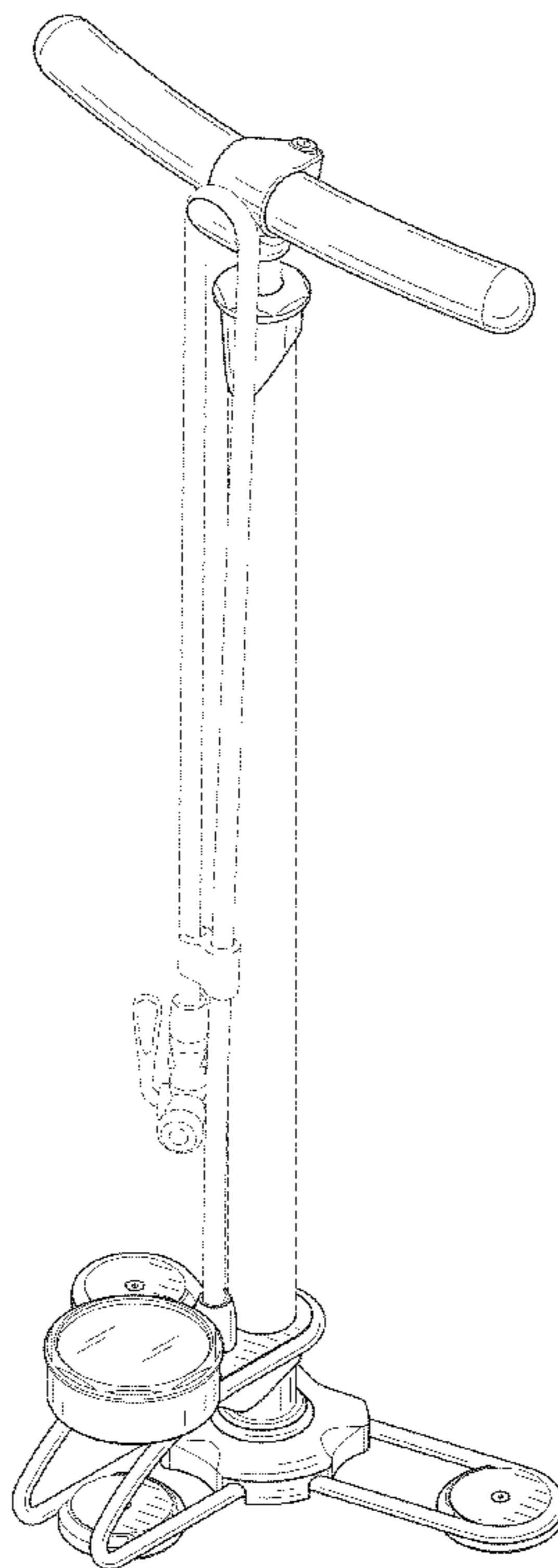
We claim the ornamental design for the bicycle pump, as
shown and described.

DESCRIPTION

FIG. 1 is a front isometric view of the bicycle pump, showing
our new design;
FIG. 2 is a front-elevational view of the bicycle pump;
FIG. 3 is a left side-elevational view of the bicycle pump;
FIG. 4 is a right side-elevational view of the bicycle pump;
FIG. 5 is a rear-elevational view of the bicycle pump;
FIG. 6 is a top view of the of the bicycle pump; and,
FIG. 7 is a bottom view of the bicycle pump.

The broken line showing of elements is included for the
purpose of illustrating non-claimed environmental matter and
form no part of the claimed design.

1 Claim, 6 Drawing Sheets



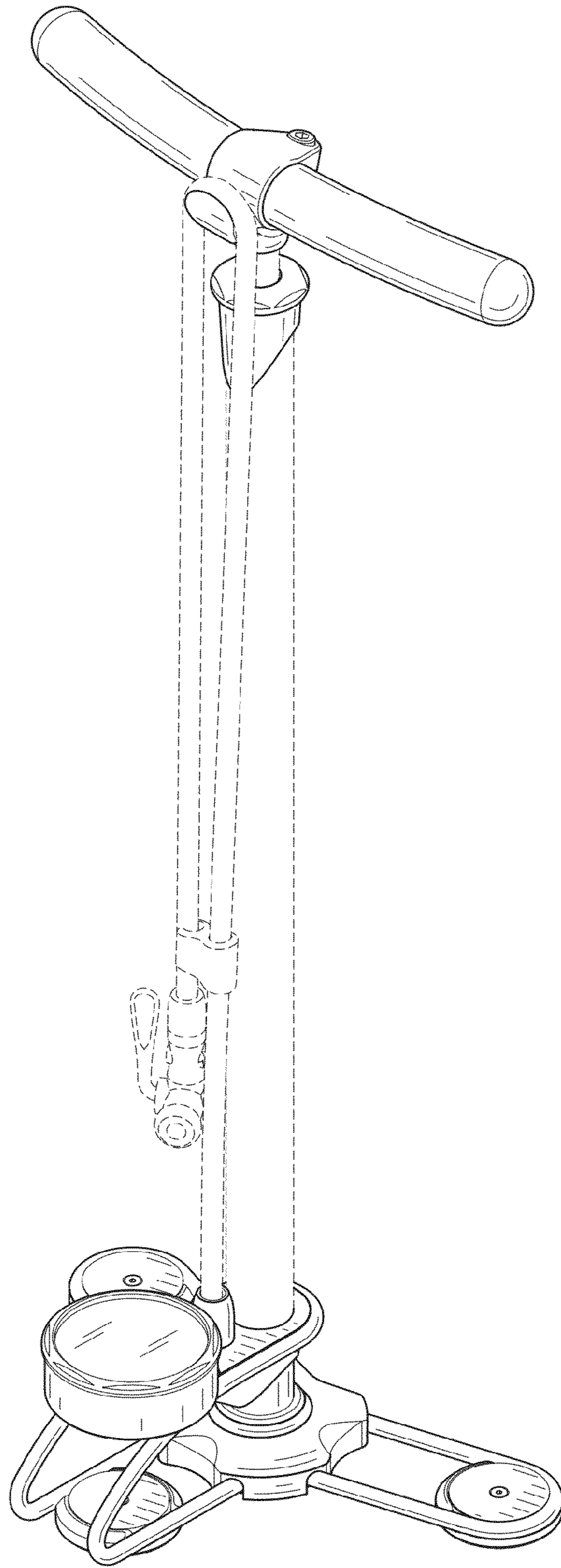


FIG.1

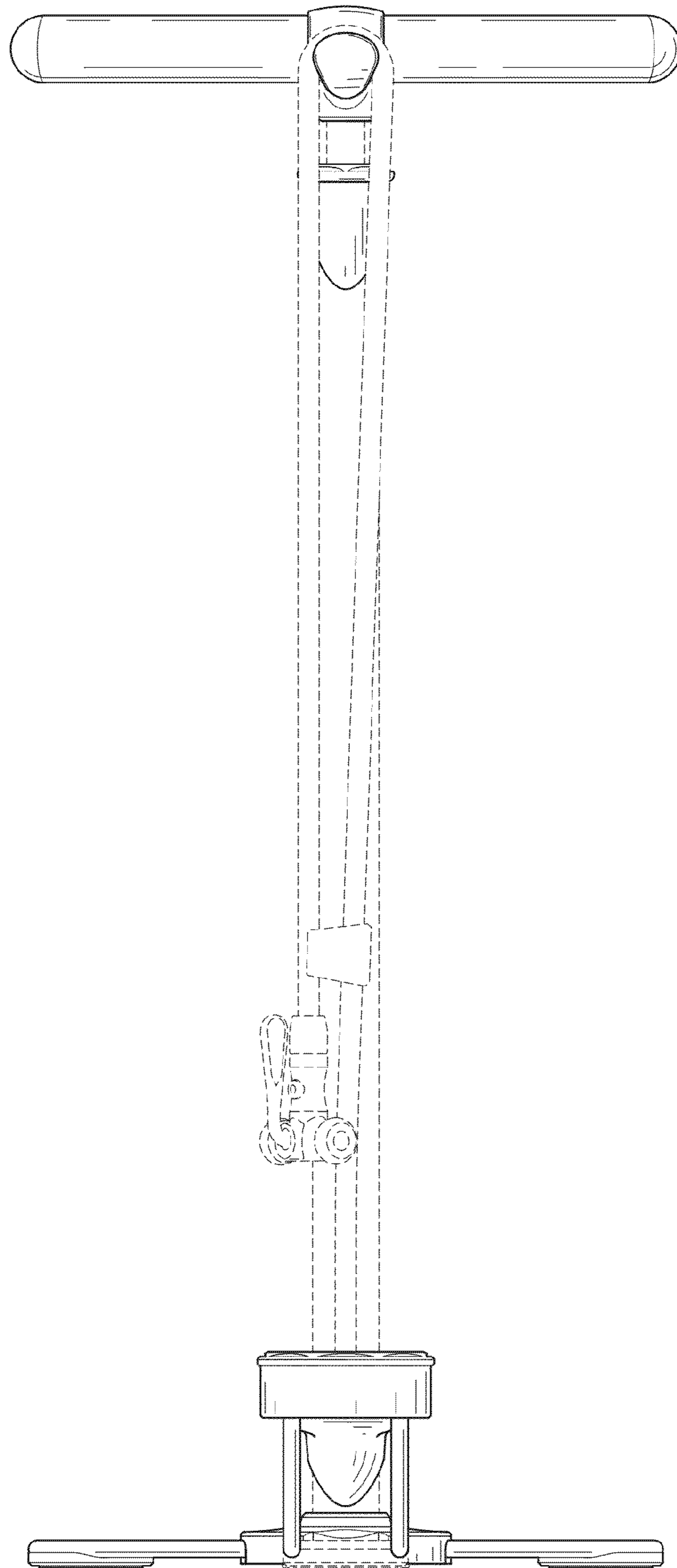


FIG. 2

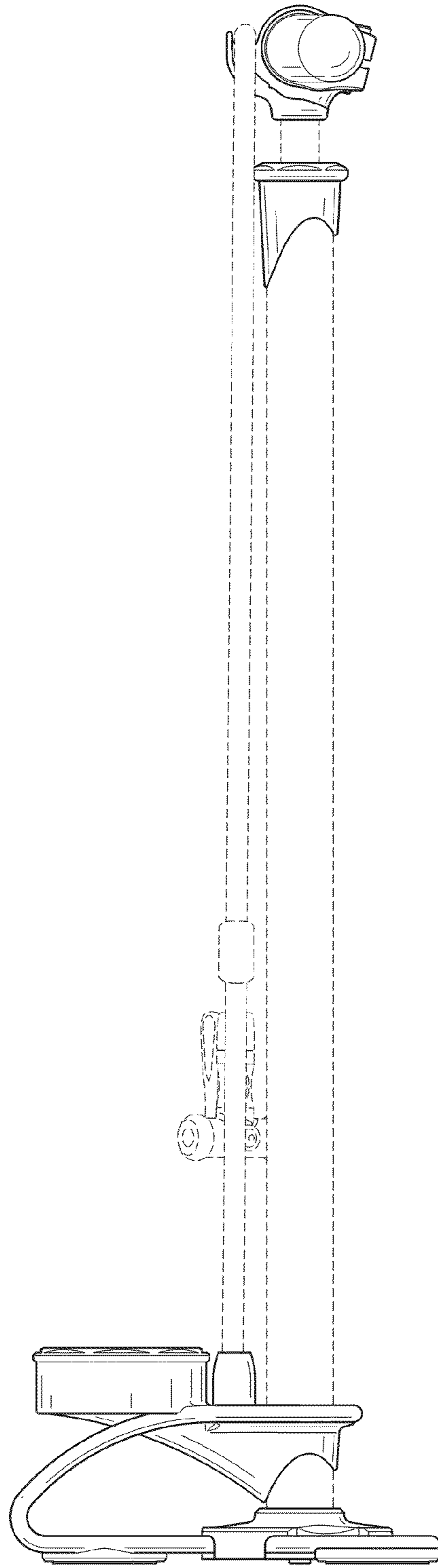


FIG. 3

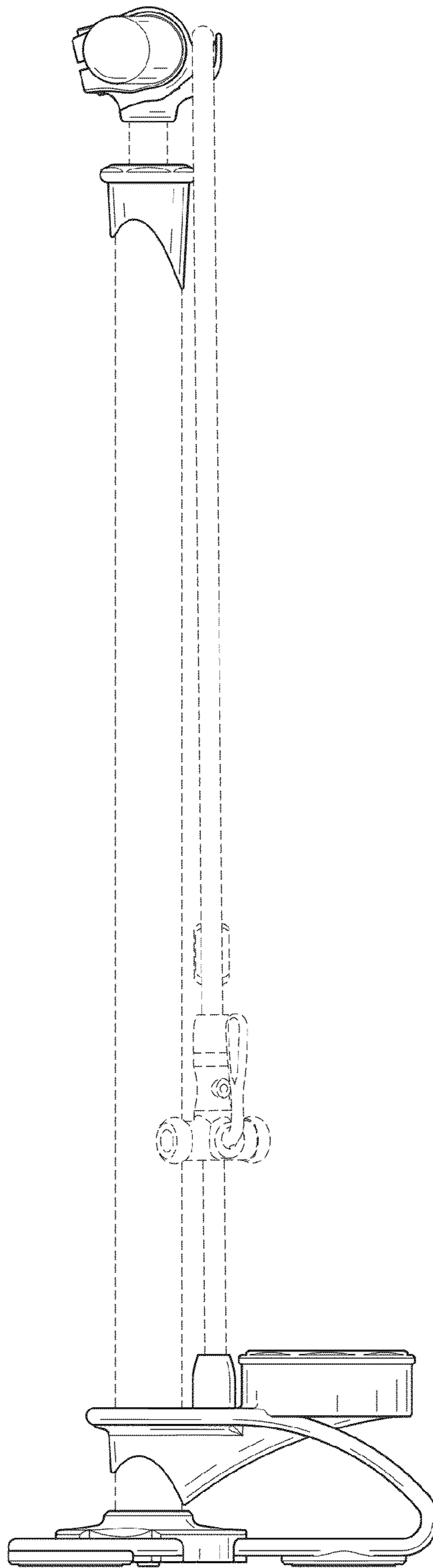


FIG. 4

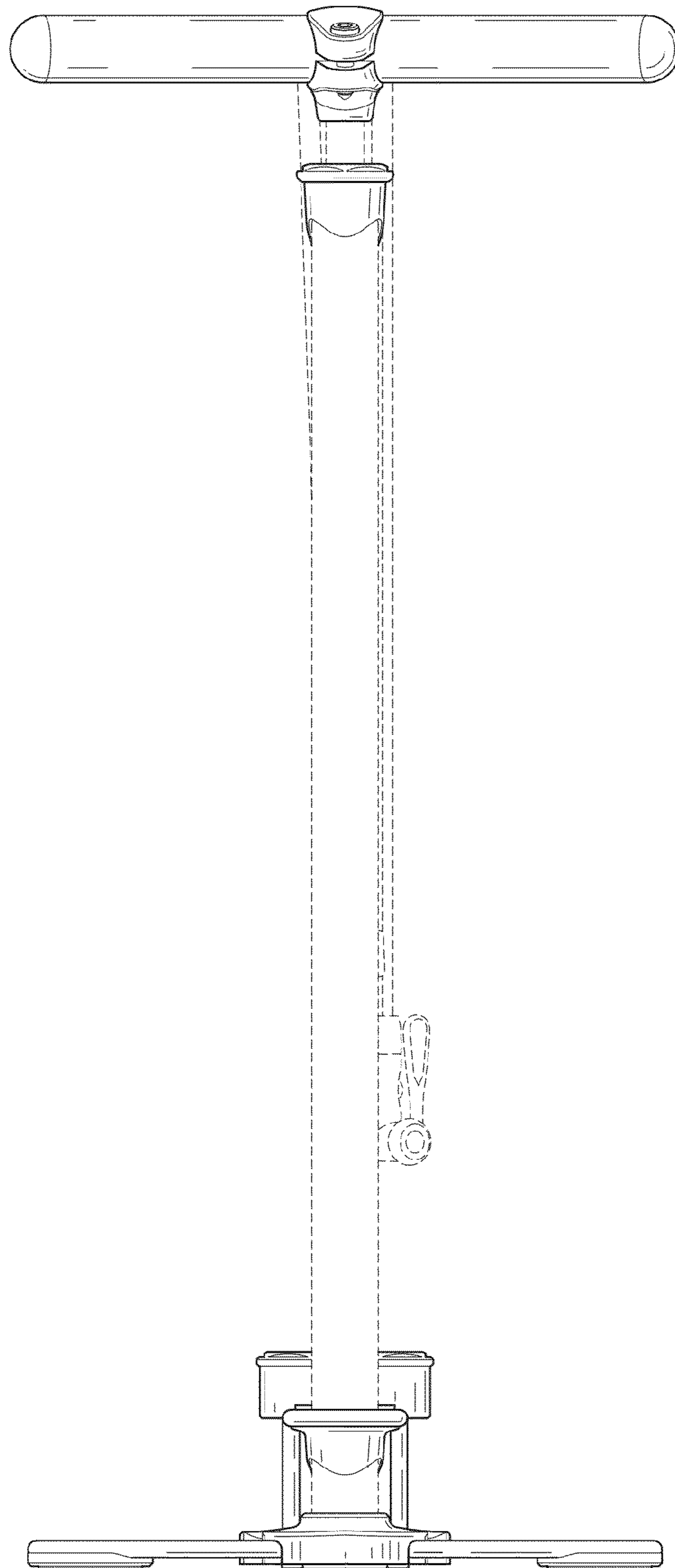


FIG. 5

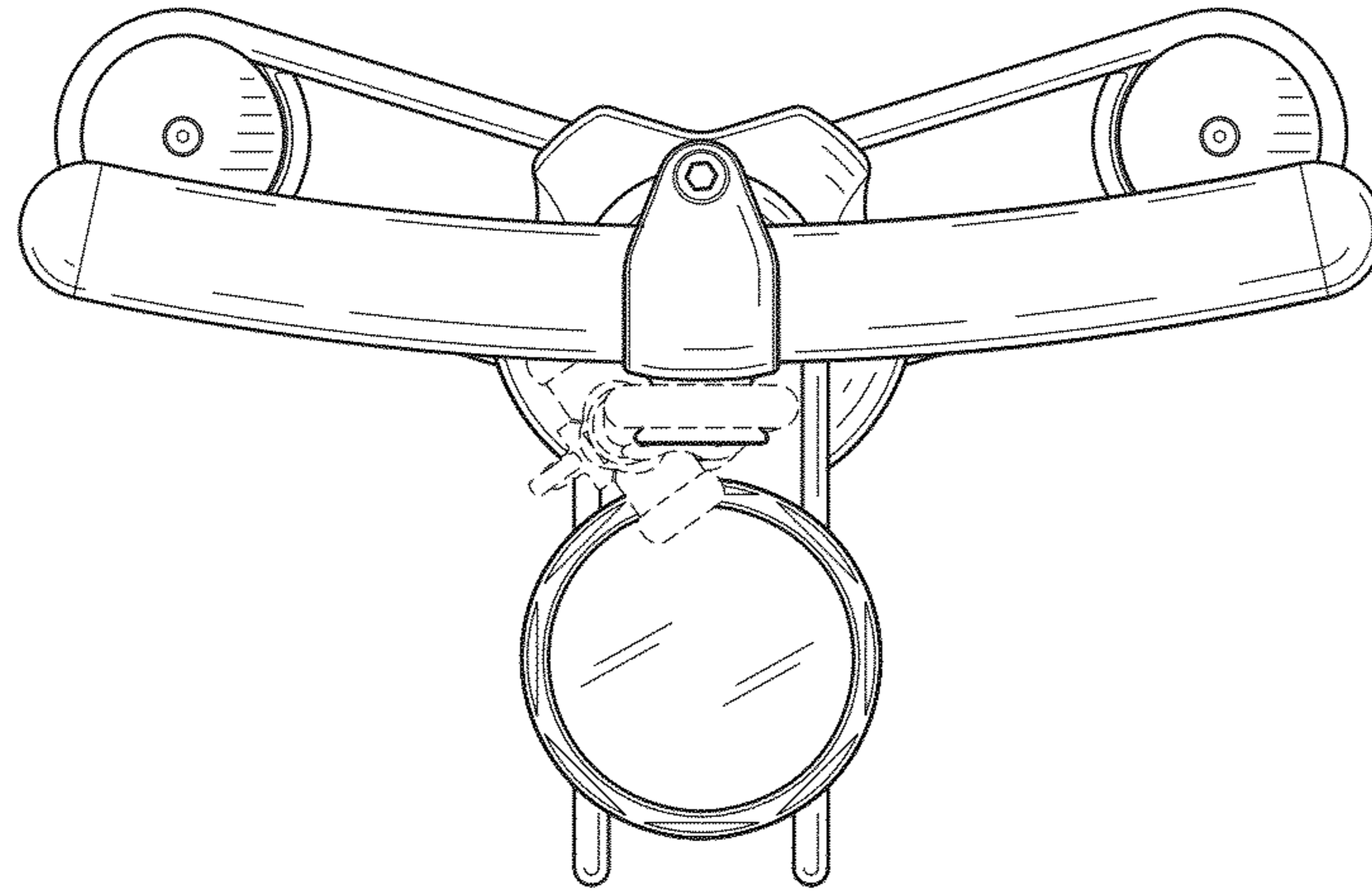


FIG. 6

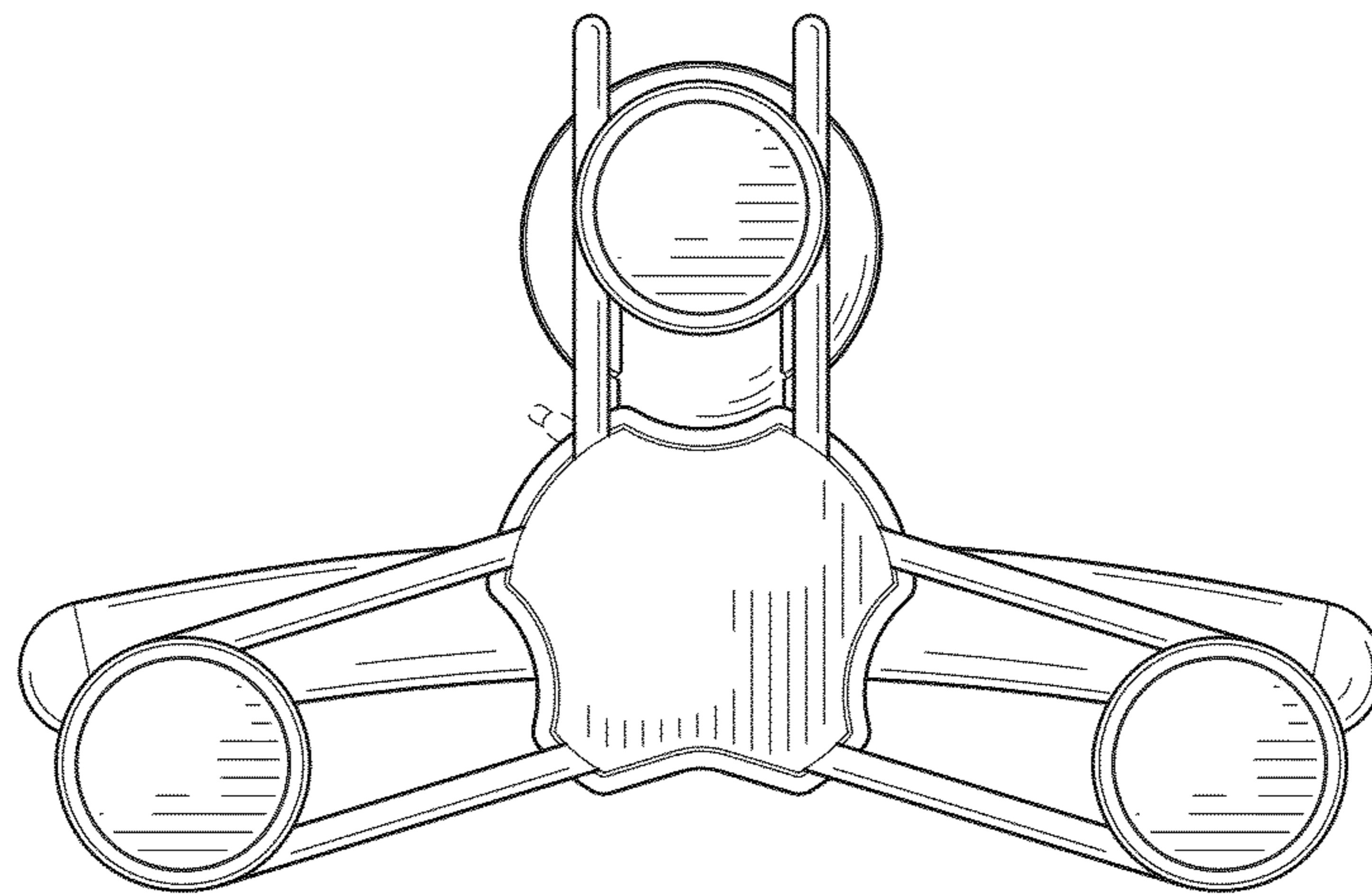


FIG. 7