



US00D745569S

(12) **United States Design Patent**  
**Robinson**

(10) **Patent No.:** **US D745,569 S**

(45) **Date of Patent:** **\*\* \*Dec. 15, 2015**

(54) **TURBINE**

(71) Applicant: **James Gilbert Robinson**, Guildford (GB)

(72) Inventor: **James Gilbert Robinson**, Guildford (GB)

(73) Assignee: **Earlex Ltd.**, Guildford, Surrey (GB)

(\*) Notice: This patent is subject to a terminal disclaimer.

(\*\*) Term: **14 Years**

(21) Appl. No.: **29/480,661**

(22) Filed: **Jan. 28, 2014**

(30) **Foreign Application Priority Data**

Sep. 12, 2013 (EM) ..... 2307868-0003

(51) **LOC (10) Cl.** ..... **15-02**

(52) **U.S. Cl.**  
USPC ..... **D15/7**

(58) **Field of Classification Search**  
USPC ..... D15/7-9; D23/231, 232, 225; 417/60, 417/235, 265, 321, 355, 358, 363, 359, 417/410.1, 415-416, 405, 900; 60/408, 60/412; 184/26-37; 415/140-147; 123/495, 509  
CPC ..... F04B 53/16; F04B 53/10; F04B 53/22; F04B 35/00; F04B 19/00

See application file for complete search history.

(56) **References Cited**

U.S. PATENT DOCUMENTS

|               |         |                       |          |
|---------------|---------|-----------------------|----------|
| D197,154 S *  | 12/1963 | Sakaley, Jr. ....     | D15/7    |
| 4,568,011 A * | 2/1986  | DeArmitt et al. ....  | 228/20.5 |
| D429,736 S *  | 8/2000  | Flynn .....           | D15/7    |
| D498,483 S *  | 11/2004 | Chen .....            | D15/9    |
| D612,403 S *  | 3/2010  | Picaza Ibarondo ..... | D15/7    |
| D662,113 S *  | 6/2012  | Johnson et al. ....   | D15/7    |
| D663,748 S *  | 7/2012  | Jones et al. ....     | D15/9    |
| D705,818 S *  | 5/2014  | Chen .....            | D15/7    |

\* cited by examiner

*Primary Examiner* — Ralf Seifert

(74) *Attorney, Agent, or Firm* — Lambert & Associates; Gary E. Lambert; David J. Connaughton, Jr.

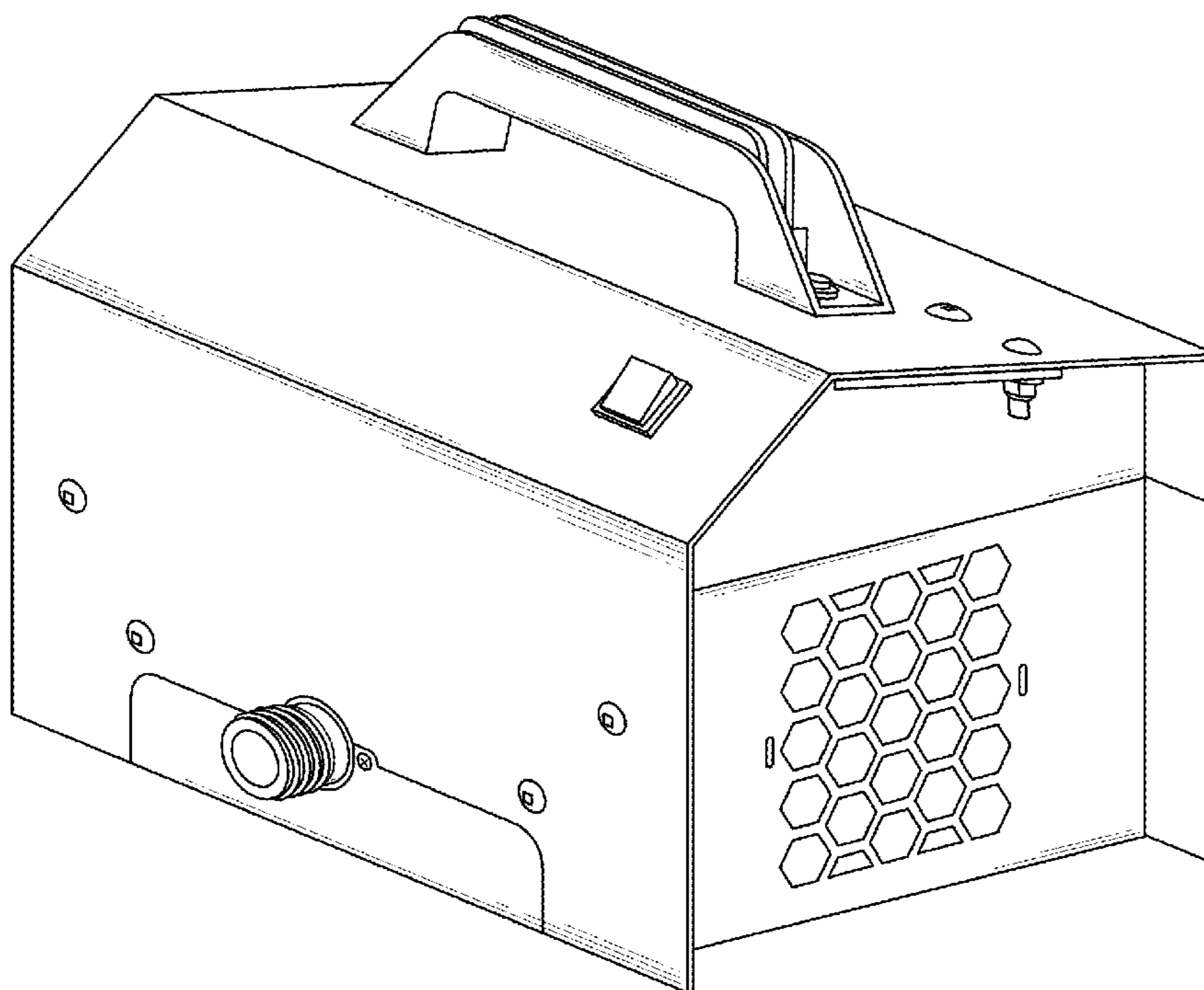
(57) **CLAIM**

I claim the ornamental design for a turbine, as shown and described.

**DESCRIPTION**

FIG. 1 is a front perspective view of the turbine which embodies my design;  
FIG. 2 is a left side view of the turbine;  
FIG. 3 is a right side view of the turbine;  
FIG. 4 is a front view of the turbine;  
FIG. 5 is a back of the turbine;  
FIG. 6 is a top view of the turbine; and,  
FIG. 7 is a bottom view of the turbine.

**1 Claim, 4 Drawing Sheets**



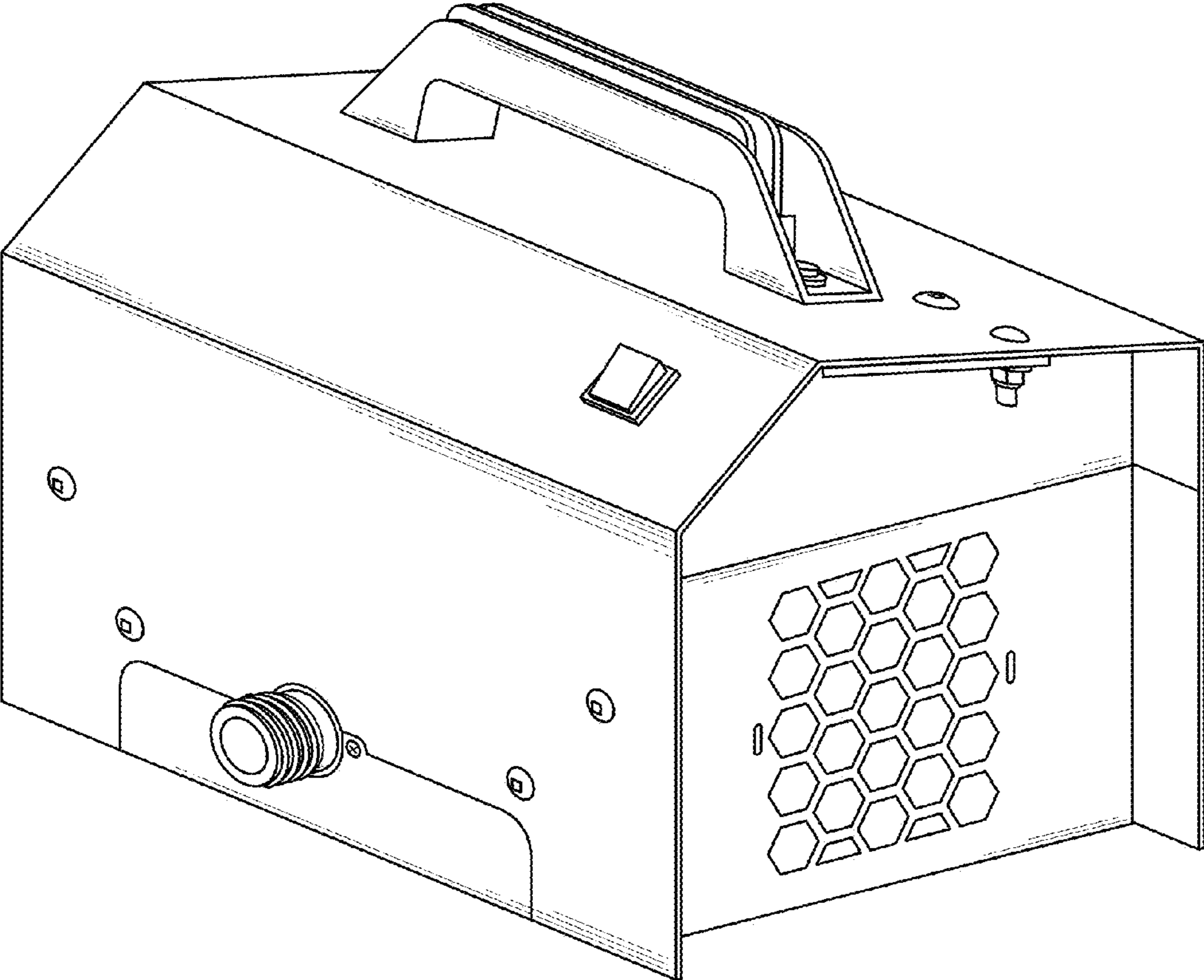
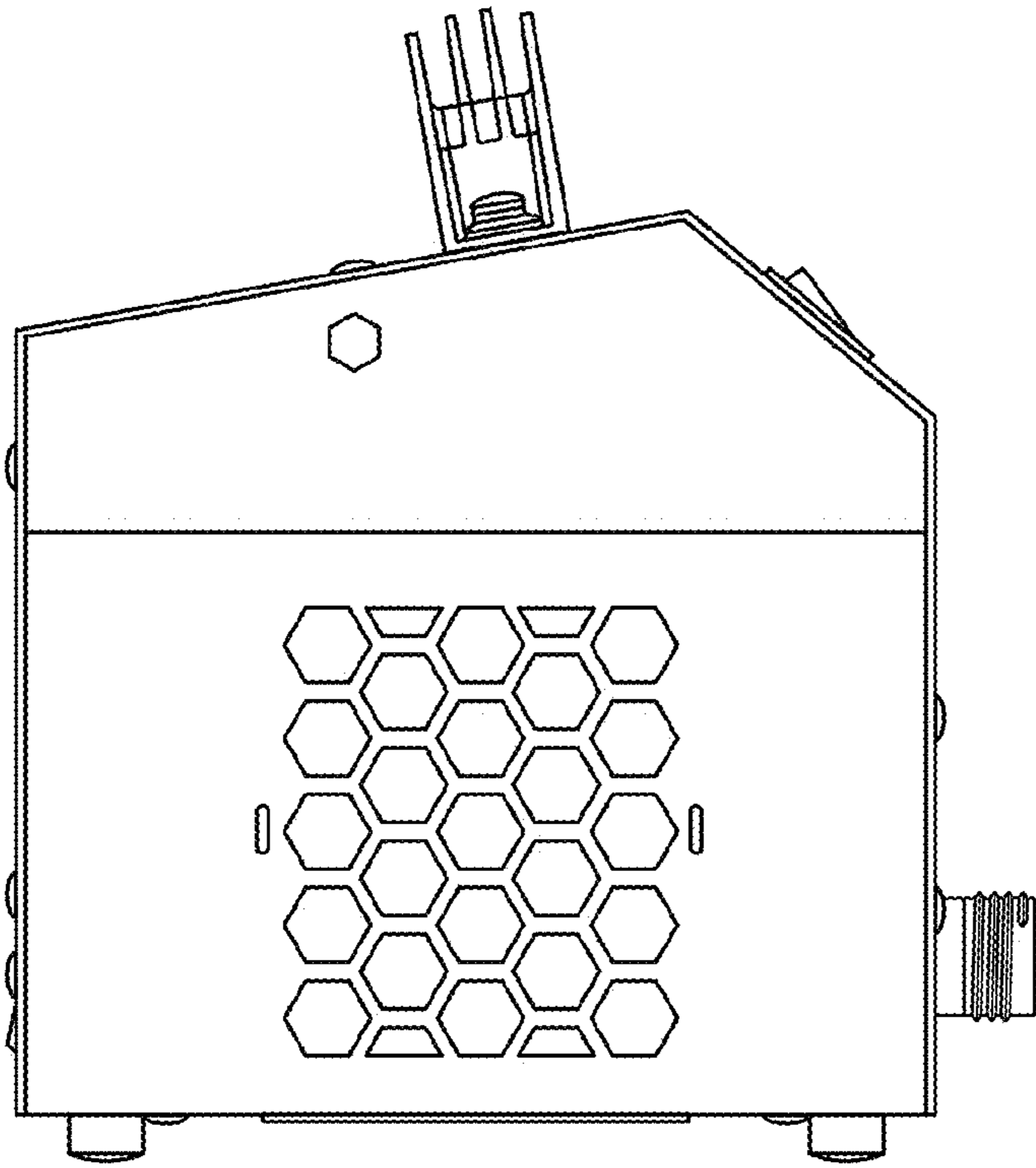
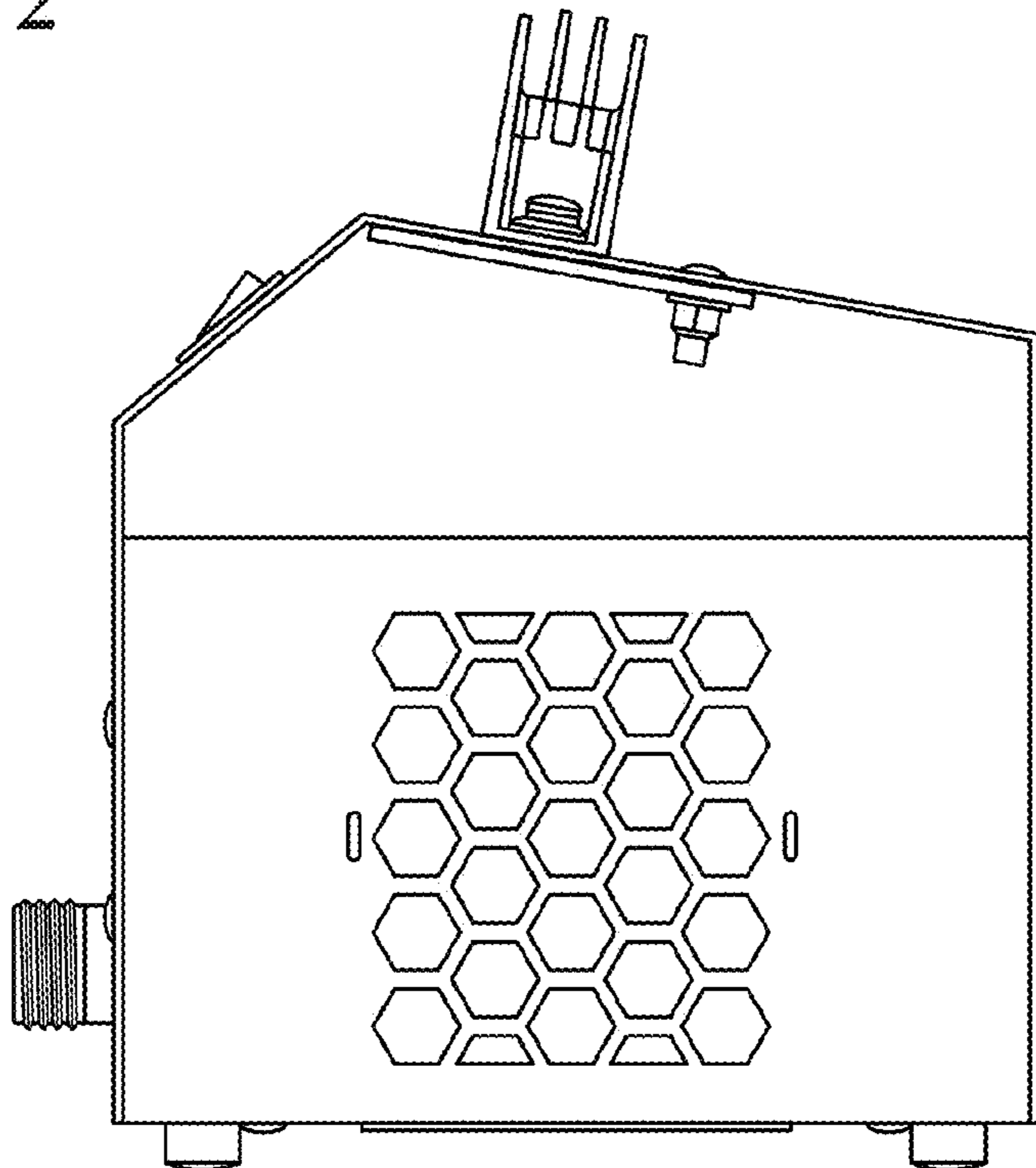


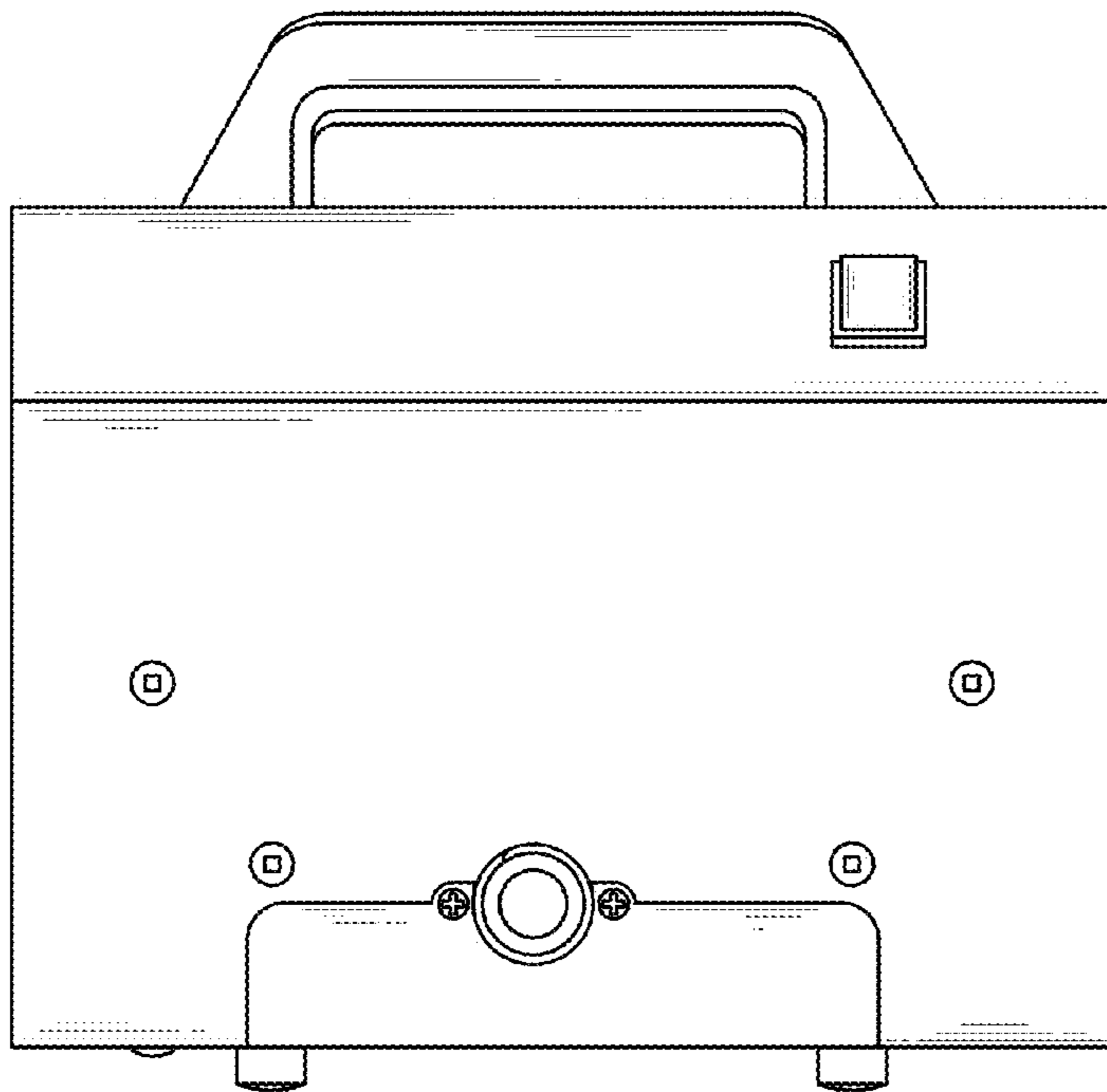
Fig. 1



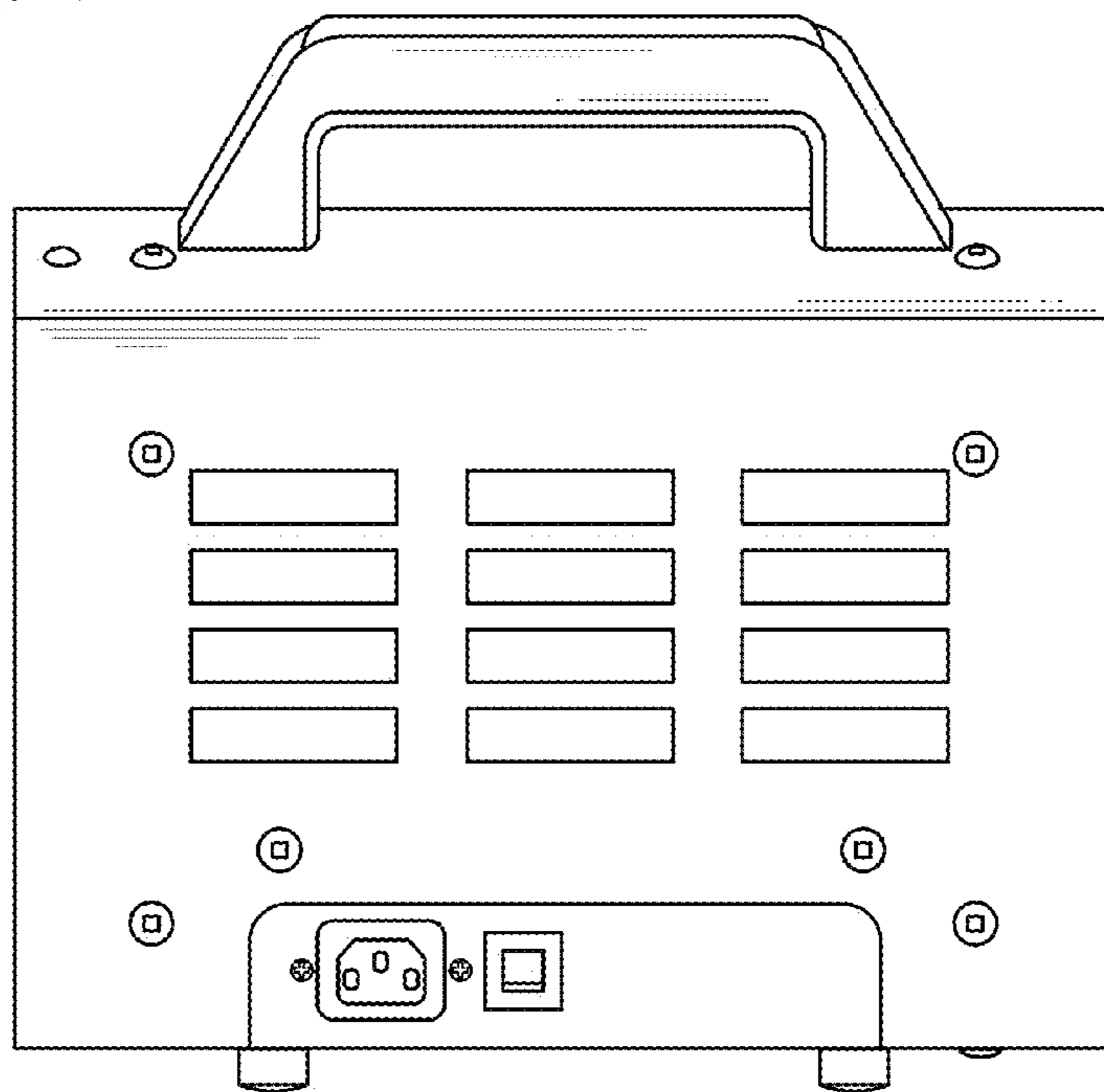
*Fig. 2*



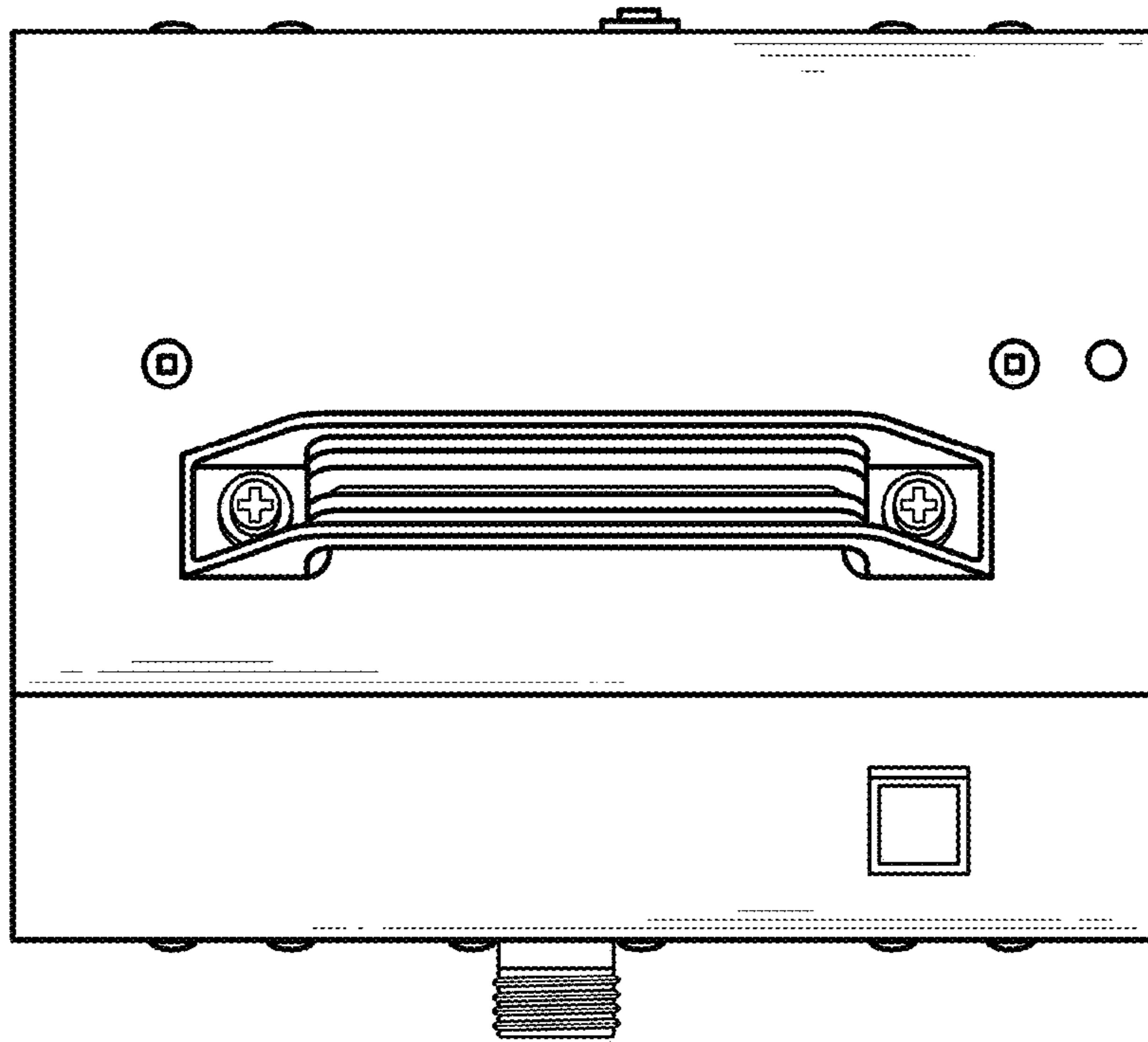
*Fig. 3*



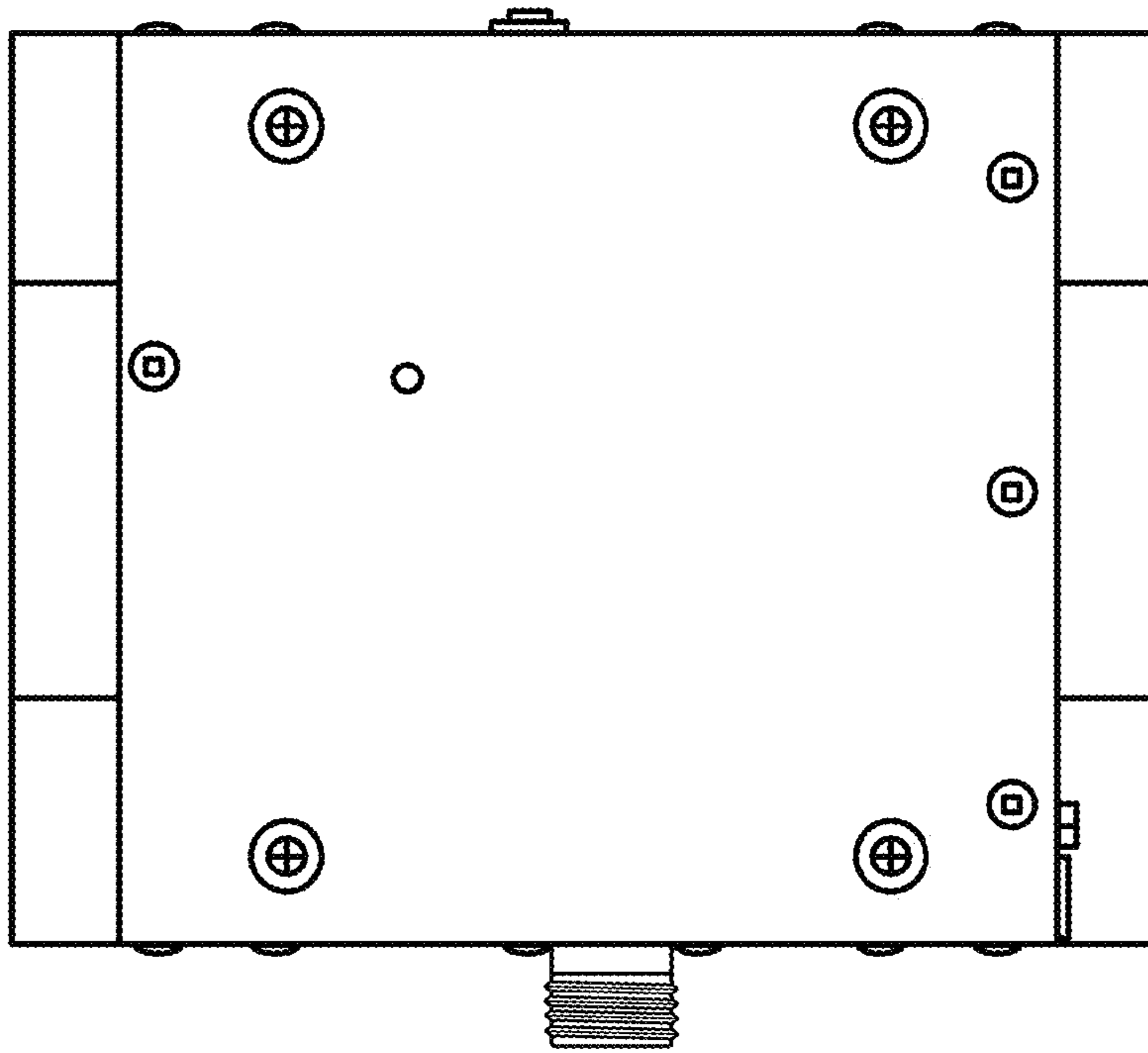
*Fig. 4*



*Fig. 5*



*Fig. 6*



*Fig. 7*