



US00D745568S

(12) **United States Design Patent**  
**Lentz**

(10) **Patent No.:** **US D745,568 S**  
(45) **Date of Patent:** **\*\* Dec. 15, 2015**

- (54) **TRIANGULAR PLATE FOR MOTOR FRAME**
- (71) Applicant: **Alex Lentz**, Stoney Creek (CA)
- (72) Inventor: **Alex Lentz**, Stoney Creek (CA)
- (\*\*) Term: **14 Years**
- (21) Appl. No.: **29/470,822**
- (22) Filed: **Oct. 25, 2013**
- (51) **LOC (10) Cl.** ..... **15-01**
- (52) **U.S. Cl.**  
USPC ..... **D15/5**
- (58) **Field of Classification Search**  
USPC ..... D15/1-5, 10, 17, 199, 28, 148, 149;  
D13/110, 112, 114, 122, 152, 154, 156,  
D13/162, 184  
CPC ..... H02K 5/00; H02K 15/028; H02K 5/04;  
H02K 5/15  
See application file for complete search history.

- D619,882 S \* 7/2010 Estok ..... D8/354
- D631,734 S \* 2/2011 Fernandez ..... D8/380
- D634,949 S \* 3/2011 Babick ..... D6/709
- D644,785 S \* 9/2011 McDowell ..... D26/154
- D654,093 S \* 2/2012 Pelini ..... D15/5
- D666,899 S \* 9/2012 Eichner ..... D8/380
- D667,296 S \* 9/2012 Eichner ..... D8/380
- 8,917,000 B2 \* 12/2014 Yazaki ..... H02K 5/225  
310/71
- D720,588 S \* 1/2015 Pugh ..... D8/47
- D732,174 S \* 6/2015 Johnson ..... D24/184
- D736,391 S \* 8/2015 Johnson ..... D24/184
- D736,858 S \* 8/2015 McPhillips ..... D20/43

(Continued)

*Primary Examiner* — T. Chase Nelson

*Assistant Examiner* — Ania Aman

(57) **CLAIM**

The ornamental design for a triangular plate for motor frame, as shown and described.

(56) **References Cited**

U.S. PATENT DOCUMENTS

- D107,109 S \* 11/1937 Carter ..... D8/47
- 3,185,442 A \* 5/1965 Hemphill ..... A01G 23/099  
254/104
- D254,837 S \* 4/1980 Breaux ..... 141/392
- 5,011,203 A \* 4/1991 Tackett ..... E05C 17/54  
292/343
- 5,290,012 A \* 3/1994 Cottriel ..... B66F 19/00  
144/195.7
- 5,295,440 A \* 3/1994 Cleveland ..... E01B 29/16  
104/2
- 5,536,096 A \* 7/1996 Nowak ..... B26F 1/36  
402/1
- D393,408 S \* 4/1998 Mladineo ..... D8/354
- 6,062,517 A \* 5/2000 Torres ..... A47G 27/045  
16/16
- D505,164 S \* 5/2005 McCabe ..... D19/59
- 6,897,580 B2 \* 5/2005 White ..... F04D 29/668  
310/51
- D590,676 S \* 4/2009 Pickard ..... D8/47
- D599,035 S \* 8/2009 Clarke ..... D25/121
- D606,386 S \* 12/2009 Fernandez ..... D8/381
- 7,716,880 B1 \* 5/2010 Shray ..... B29C 44/583  
248/188.2

**DESCRIPTION**

FIG. 1 is a top plan view of the present design a triangular plate for motor frame.

FIG. 2 is a front plan view of the triangular plate for motor frame shown in FIG. 1.

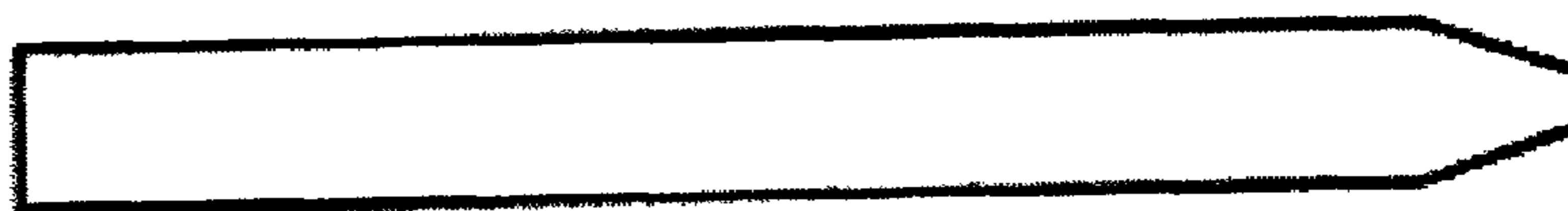
FIG. 3 is a bottom plan view of the triangular plate for motor frame shown in FIG. 1.

FIG. 4 is a bottom perspective view of the triangular plate for motor frame shown in FIG. 1.

FIG. 5 is a top perspective view of the triangular plate for motor frame shown in FIG. 1; and,

FIG. 6 is a top perspective view of the triangular plate for motor frame shown in use, wherein the broken lines are the environment of the triangular plate for motor frame shown in use and form no part of the claimed design.

**1 Claim, 3 Drawing Sheets**



# US D745,568 S

Page 2

---

(56)

## References Cited

### U.S. PATENT DOCUMENTS

2002/0074884	A1*	6/2002	Fuller	.....	H02K 5/24	310/91
2002/0157328	A1*	10/2002	Holder	.....	E04F 13/0853	52/126.1
2003/0145531	A1*	8/2003	Holder	.....	E04F 13/0853	52/98
2010/0024321	A1*	2/2010	Scherer	.....	E06B 1/62	52/98
2011/0180174	A1*	7/2011	Suzuki	.....	F01N 13/14	138/140
2014/0067215	A1*	3/2014	Wetterlund	.....	B60H 1/00407	701/69
2014/0265691	A1*	9/2014	Minari	.....	H02K 5/22	310/91

\* cited by examiner

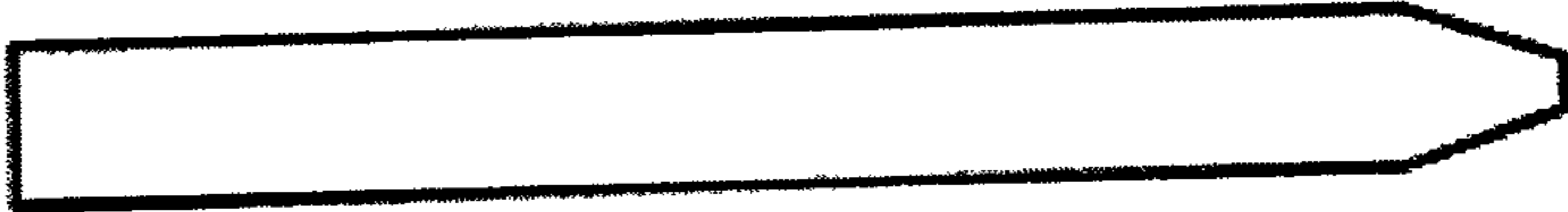


Fig. 1

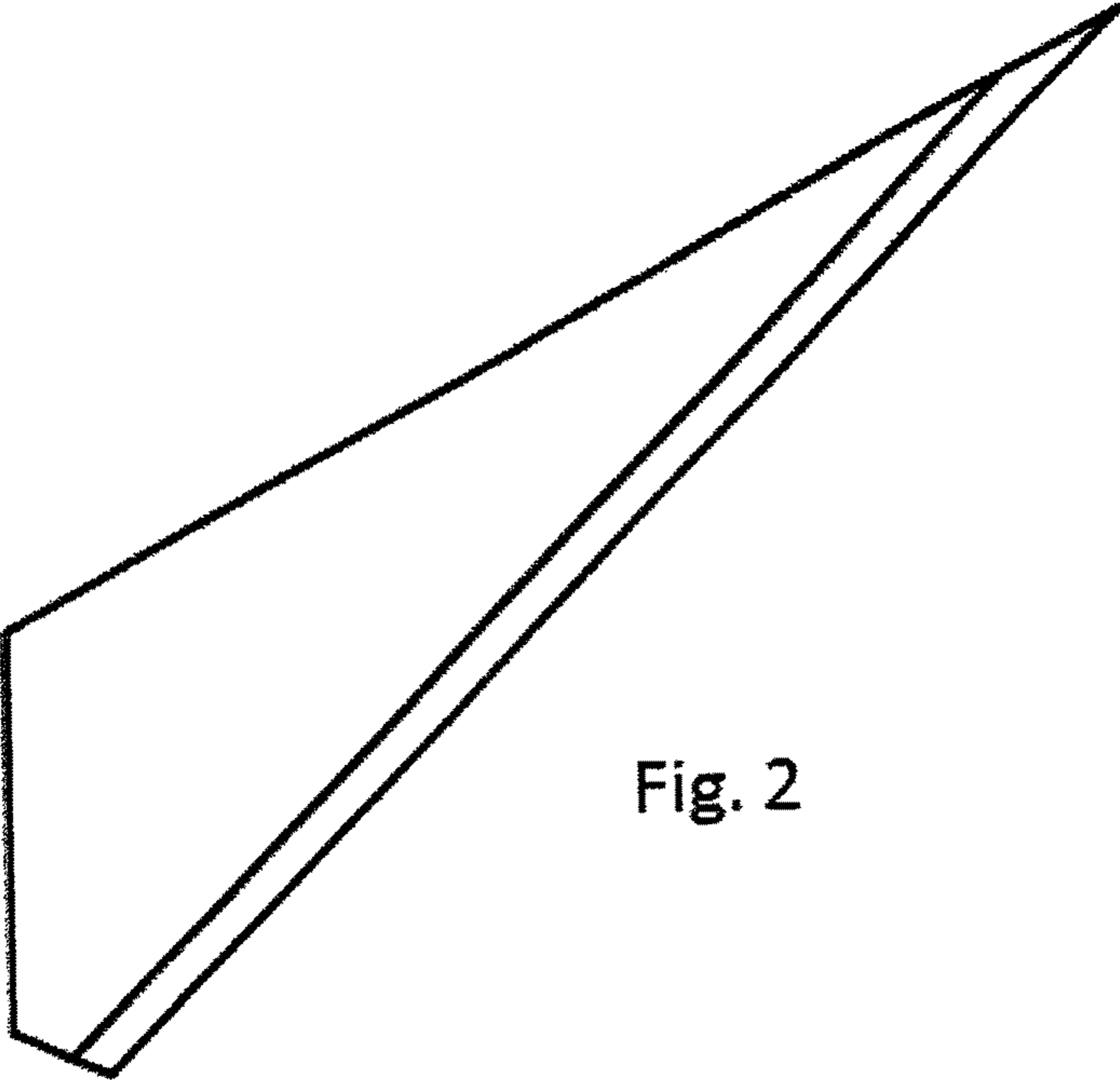


Fig. 2

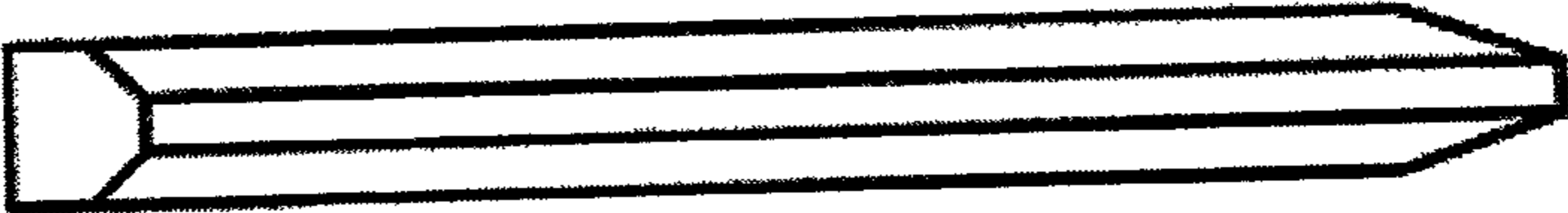


Fig. 3

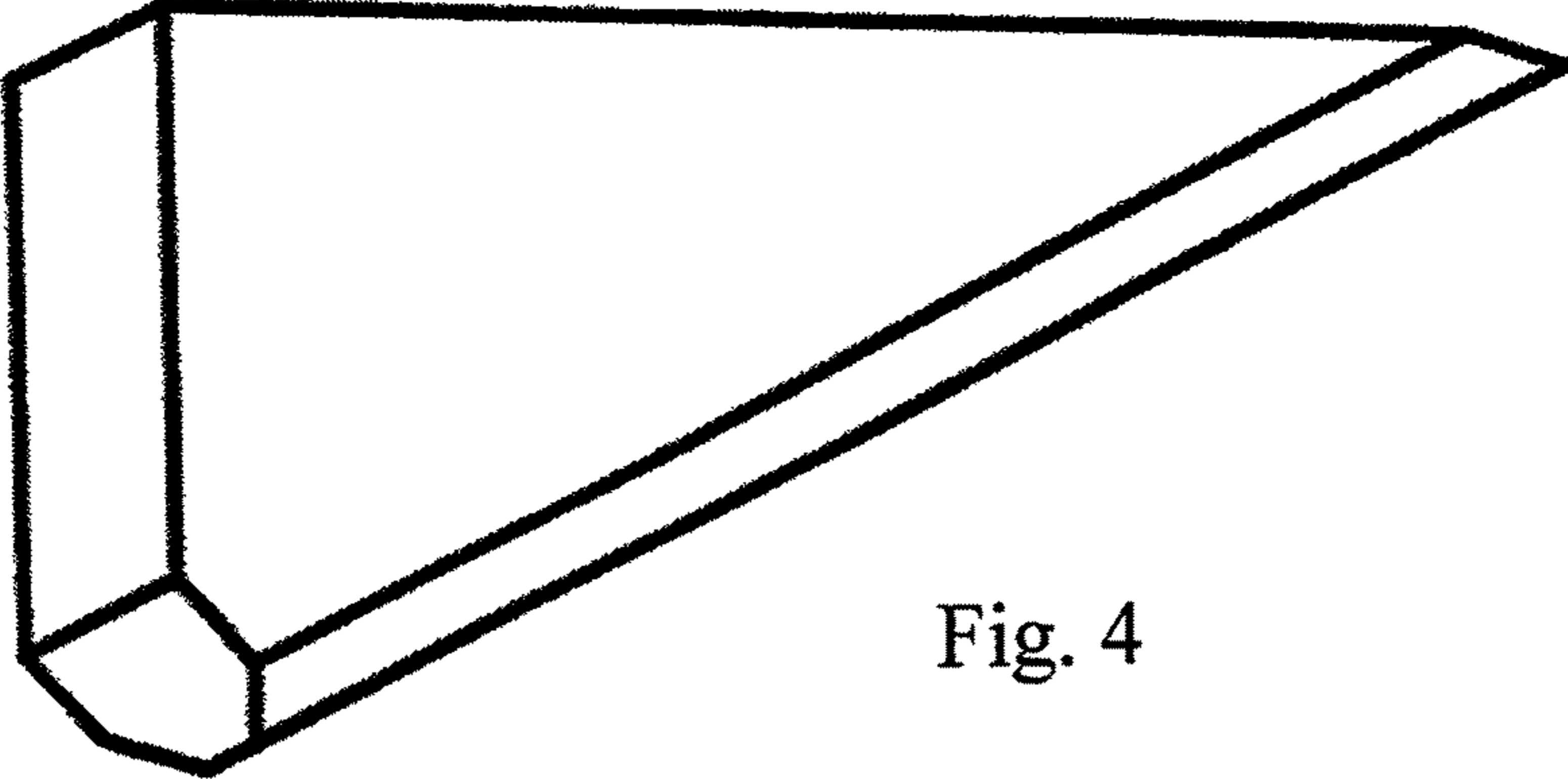


Fig. 4

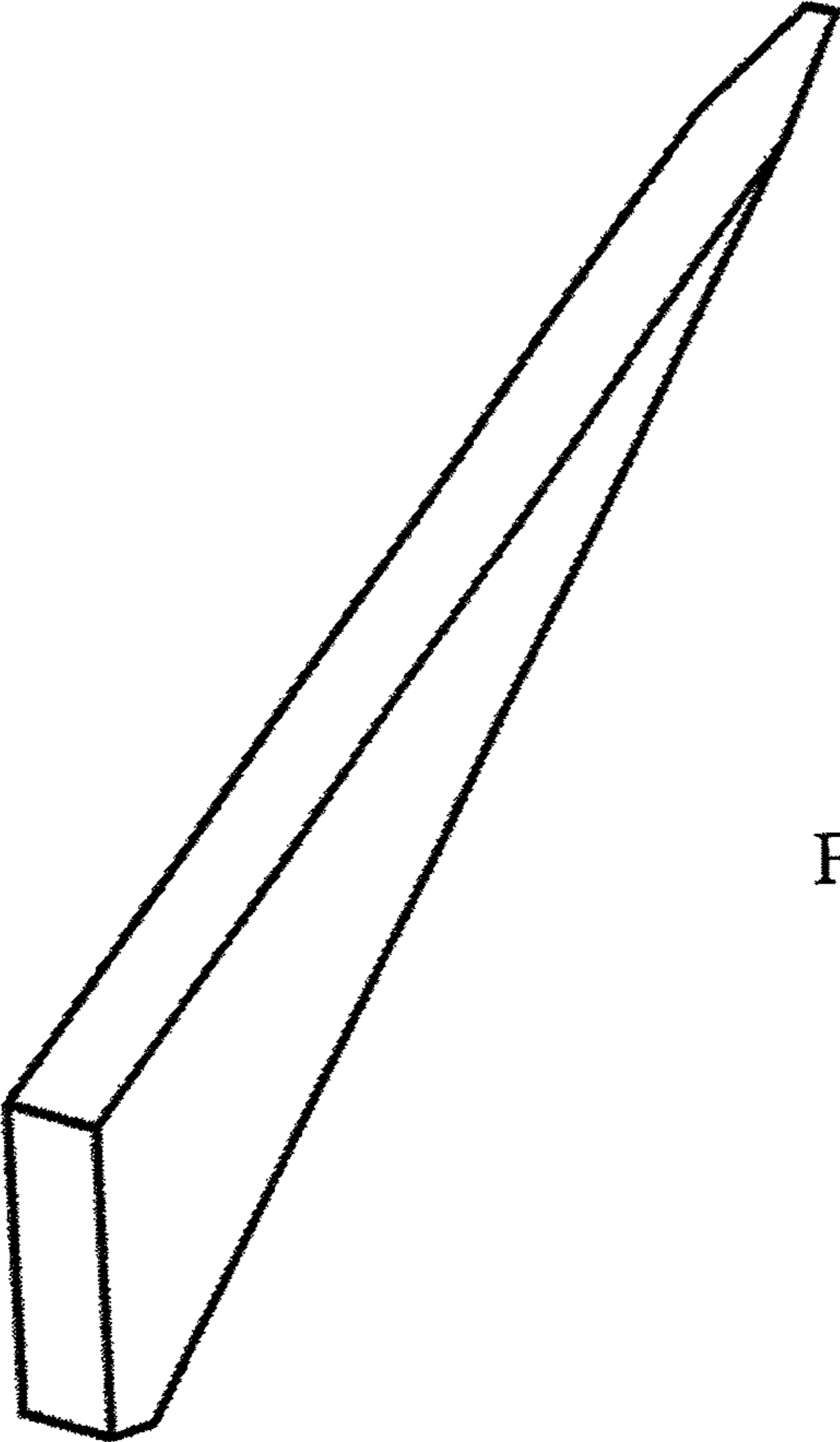


Fig. 5

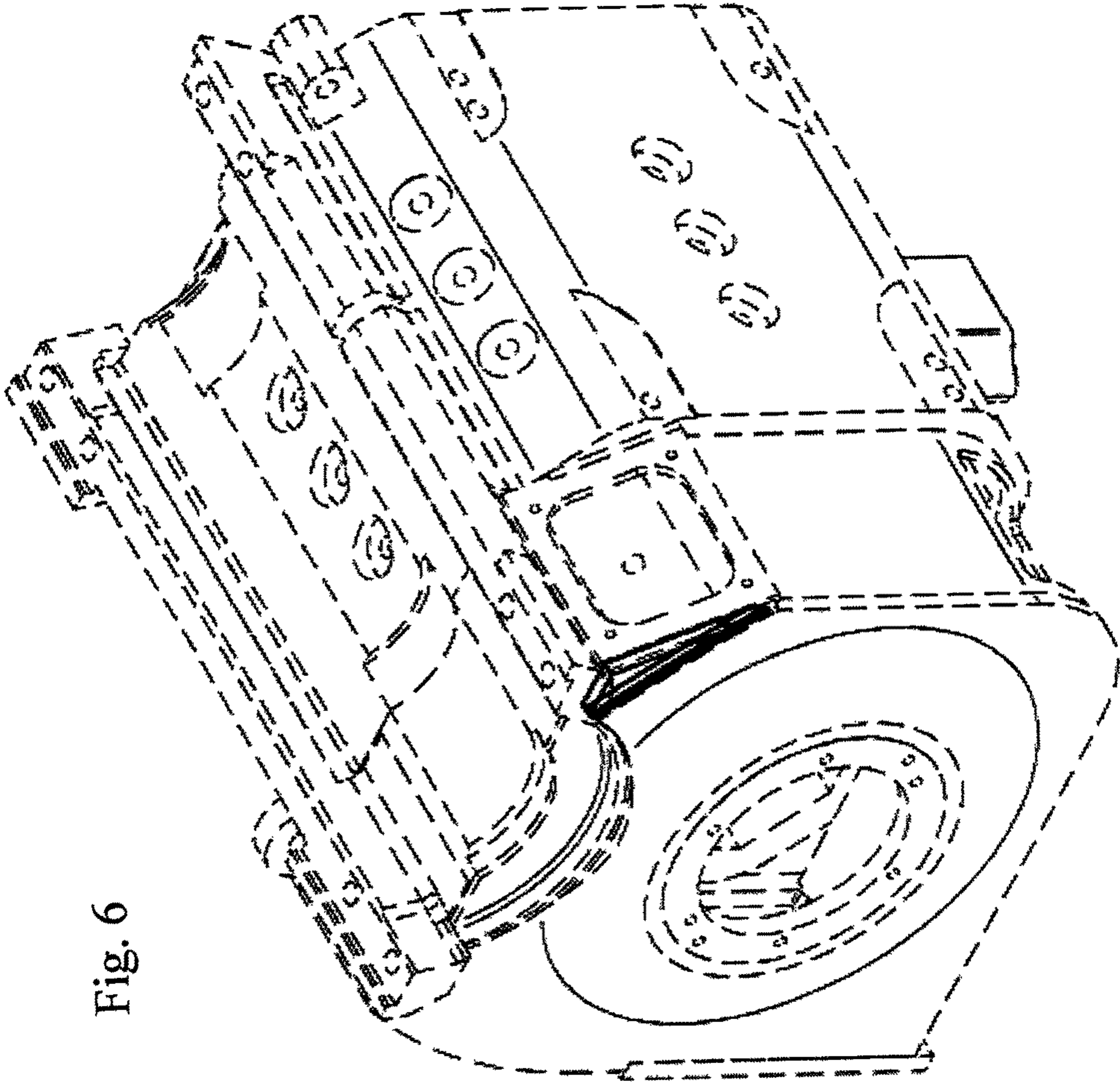


Fig. 6