



US00D745557S

(12) **United States Design Patent**
Sikkema et al.

(10) **Patent No.:** **US D745,557 S**

(45) **Date of Patent:** **** Dec. 15, 2015**

(54) **DISPLAY SCREEN OR PORTION THEREOF WITH ICON**

(71) Applicant: **Deere & Company**, Moline, IL (US)

(72) Inventors: **Kelly L. Sikkema**, Brookline, MA (US);
Margaux M. Price, Davenport, IA (US);
Julian Sanchez, Le Claire, IA (US);
Ryan M. Gilsdorf, Parkville, MO (US);
Troy K. Maddox, Ames, IA (US);
Aaron J. Bruns, Bettendorf, IA (US);
Jeffery J. Adams, Davenport, IA (US)

(73) Assignee: **Deere & Company**, Moline, IL (US)

(**) Term: **14 Years**

(21) Appl. No.: **29/469,887**

(22) Filed: **Oct. 15, 2013**

(51) **LOC (10) Cl.** **14-04**

(52) **U.S. Cl.**
USPC **D14/492**

(58) **Field of Classification Search**
USPC D14/485-495
CPC G06F 3/048; G06F 3/0481; G06F 3/04817
See application file for complete search history.

(56) **References Cited**

U.S. PATENT DOCUMENTS

| | | | | | |
|-----------|------|---------|------------------|-------|---------|
| 4,266,393 | A * | 5/1981 | Taylor | | 56/14.6 |
| 5,657,460 | A * | 8/1997 | Egan et al. | | 715/763 |
| D438,217 | S * | 2/2001 | Olson et al. | | D15/10 |
| D531,186 | S * | 10/2006 | Sauter | | D14/492 |
| D589,969 | S * | 4/2009 | Shibata et al. | | D14/486 |
| D590,409 | S * | 4/2009 | Shibata et al. | | D14/486 |
| 7,600,189 | B2 * | 10/2009 | Fujisawa | | 715/765 |
| D642,194 | S * | 7/2011 | Kozlowski et al. | | D14/488 |
| D642,589 | S * | 8/2011 | Kozlowski et al. | | D14/487 |
| D645,051 | S * | 9/2011 | Kozlowski et al. | | D14/487 |
| D650,802 | S * | 12/2011 | Jang et al. | | D14/495 |

| | | | | | |
|----------|-----|---------|------------------|-------|---------|
| D652,425 | S * | 1/2012 | Kozlowski et al. | | D14/487 |
| D685,386 | S * | 7/2013 | Makhlouf | | D14/486 |
| D689,096 | S * | 9/2013 | Nagaoka et al. | | D14/489 |
| D692,447 | S * | 10/2013 | Marshall et al. | | D14/486 |
| D692,918 | S * | 11/2013 | Ridl et al. | | D14/492 |
| D700,619 | S * | 3/2014 | Ito et al. | | D14/492 |
| D709,082 | S * | 7/2014 | Meegan et al. | | D14/486 |
| D709,083 | S * | 7/2014 | Meegan et al. | | D14/486 |
| D709,518 | S * | 7/2014 | Meegan et al. | | D14/486 |

(Continued)

Primary Examiner — Kevin Rudzinski

(74) *Attorney, Agent, or Firm* — Ingrassia, Fisher & Lorenz, PC

(57) **CLAIM**

The ornamental design for a display screen or portion thereof with icon, as shown and described.

DESCRIPTION

The patent file contains at least one drawing executed in color. Copies of the patent file with color drawing(s) will be provided by the Patent Office upon request and payment of the necessary fee. Color forms no part of the embodiments of the design shown in FIGS. 1 and 3.

FIG. 1 is a front view of a display screen or portion thereof with icon showing our new design;

FIG. 2 is a front view of a second embodiment thereof;

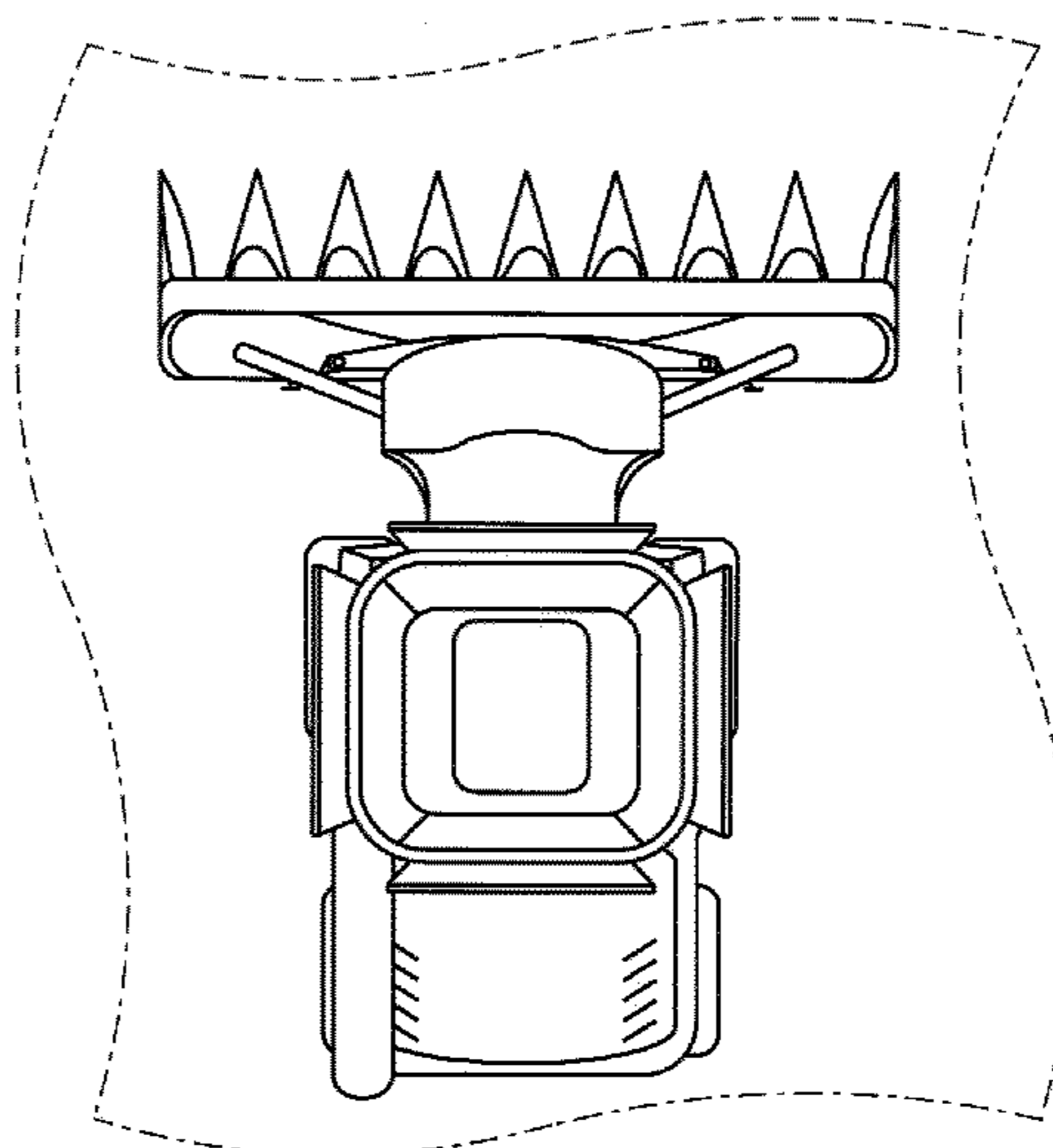
FIG. 3 is a front view of a third embodiment thereof; and,

FIG. 4 is a front view of a fourth embodiment thereof.

The dot-dash line representations of the display screen or portion thereof in the figures form no part of the claimed design.

Example devices having display screens on which the various icons of the claimed design may be provided include one or more of computers, tablets, smart phones, control interfaces, gauges and measurement instruments. The various icons of the claimed design are not limited to the placement on a display screen or portion thereof as shown in the figures.

1 Claim, 2 Drawing Sheets
(2 of 2 Drawing Sheet(s) Filed in Color)



(56)

References Cited

U.S. PATENT DOCUMENTS

D709,519 S * 7/2014 Meegan et al. D14/486
D710,373 S * 8/2014 Meegan et al. D14/486
D710,374 S * 8/2014 Meegan et al. D14/486
D712,928 S * 9/2014 Brener et al. D14/492
D721,730 S * 1/2015 Thompson D14/489
D724,604 S * 3/2015 Ishimoto et al. D14/485

D729,265 S * 5/2015 Mariet et al. D14/486
D729,820 S * 5/2015 Yamasaki D14/485
D730,401 S * 5/2015 Bray et al. D14/492
D730,923 S * 6/2015 Mariet et al. D14/486
D730,935 S * 6/2015 Franganillo et al. D14/492
D733,722 S * 7/2015 Ueda D14/485
D734,343 S * 7/2015 Yamasaki et al. D14/485
2013/0138304 A1 * 5/2013 Wagger 701/50
2014/0142799 A1 * 5/2014 Ferguson et al. 701/23

* cited by examiner

