

US00D745548S

(12) **United States Design Patent**
Morisada et al.

(10) **Patent No.:** **US D745,548 S**

(45) **Date of Patent:** **** Dec. 15, 2015**

(54) **DISPLAY SCREEN OR PORTION THEREOF WITH ANIMATED GRAPHICAL USER INTERFACE FOR A PORTABLE INFORMATION TERMINAL**

G06F 3/04886; G06F 3/048; G06F 3/14; G06F 3/1415; G06F 3/141446; G06F 3/1423; G06F 3/147; G06F 3/0488; G06F 1/1647
See application file for complete search history.

(71) Applicant: **Sony Computer Entertainment Inc.,**
Tokyo (JP)

(56) **References Cited**

(72) Inventors: **Hidehiko Morisada,** Tokyo (JP);
Takayuki Shinohara, Tokyo (JP);
Aritoki Kawai, Tokyo (JP); **Tomo Matayoshi,** Tokyo (JP); **Yuko Nagaoka,** Tokyo (JP)

U.S. PATENT DOCUMENTS

D609,715 S 2/2010 Chaudhri
D613,300 S 4/2010 Chaudhri
D624,932 S 10/2010 Chaudhri
D637,606 S 5/2011 Luke et al.
D638,432 S 5/2011 Flik et al.
D642,192 S 7/2011 Arnold
D648,347 S 11/2011 Chaudhri

(73) Assignee: **Sony Computer Entertainment Inc.,**
Tokyo (JP)

(Continued)

(**) Term: **14 Years**

Primary Examiner — Mary Ann Calabrese

(21) Appl. No.: **29/496,716**

(74) *Attorney, Agent, or Firm* — Michael Best & Friedrich LLP

(22) Filed: **Jul. 16, 2014**

(57) **CLAIM**

The ornamental design for a display screen or portion thereof with animated graphical user interface for a portable information terminal, as shown and described.

Related U.S. Application Data

(62) Division of application No. 29/446,608, filed on Feb. 26, 2013, now Pat. No. Des. 712,426.

DESCRIPTION

(30) **Foreign Application Priority Data**

Sep. 13, 2012 (JP) D2012-022241
Sep. 13, 2012 (JP) D2012-022242
Sep. 13, 2012 (JP) D2012-022243
Sep. 13, 2012 (JP) D2012-022244

FIG. 1 is a first image in a sequence for a display screen or portion thereof with animated graphical user interface for a portable information terminal showing our new design; FIG. 2 is a second image thereof; FIG. 3 is a third image thereof; and, FIG. 4 is a fourth image thereof.

(51) **LOC (10) Cl.** **14-04**

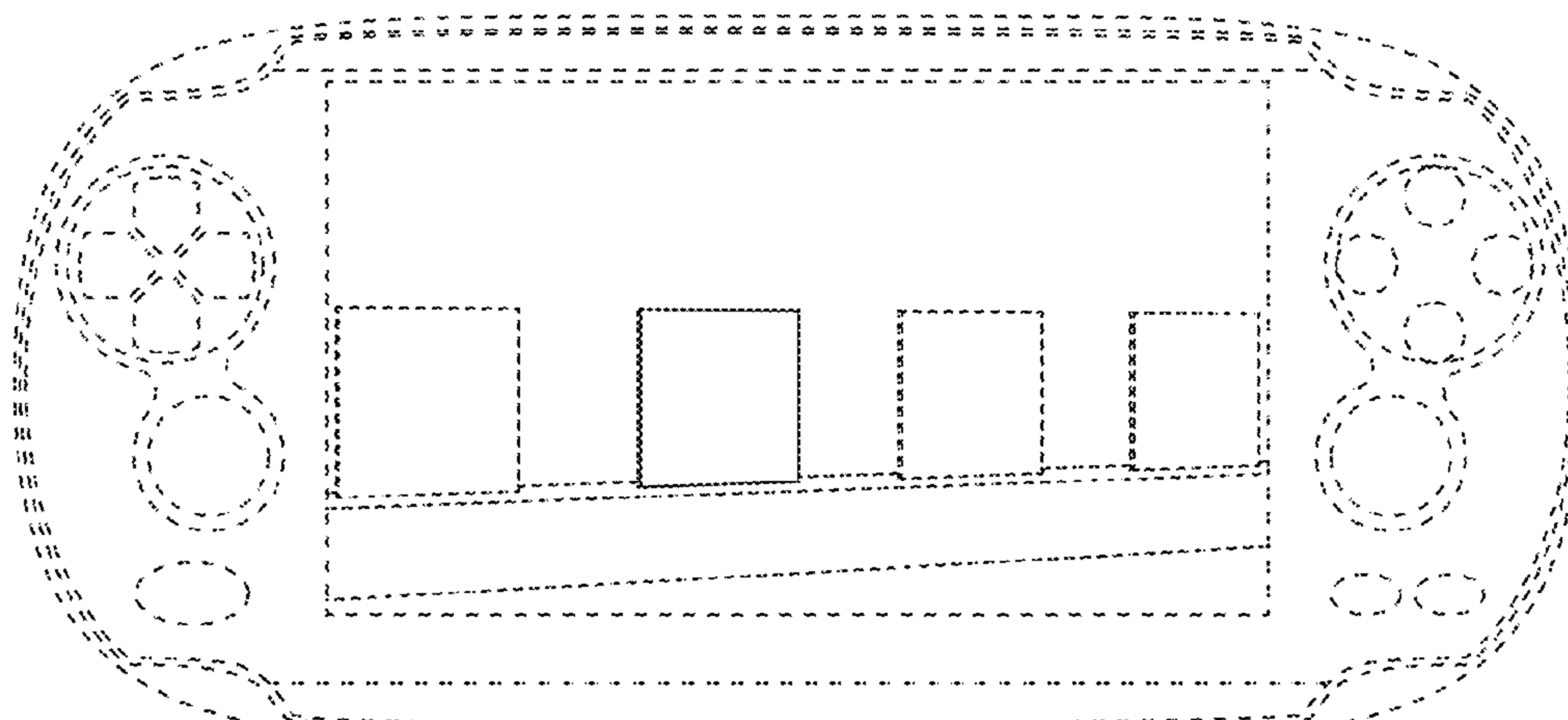
The appearance of the animated image sequentially transitions between FIGS. 1 to 4. The process or period in which one image transitions to another image forms no part of the claimed design.

(52) **U.S. Cl.**
USPC **D14/486**

The broken lines showing of the display screen or portion thereof with animated graphical user interface for a portable information terminal are for environmental purposes only and form no part of the claimed design.

(58) **Field of Classification Search**
USPC D14/485–495; D18/24–33; D20/11, 12, D20/18, 22–28, 40
CPC ... G06F 3/0481; G06F 3/0482; G06F 3/0483; G06F 3/04812; G06F 3/0486; G06F 3/04815; G06F 3/04817; G06F 3/04845; G06F 3/04855;

1 Claim, 2 Drawing Sheets



(56)

References Cited

U.S. PATENT DOCUMENTS

| | | | | | |
|---------------|---------|------------------------------|------------------|---------|-------------------------------|
| D664,552 S | 7/2012 | Gleasman et al. | 2006/0271867 A1 | 11/2006 | Wang et al. |
| D664,553 S | 7/2012 | Gleasman et al. | 2007/0226645 A1 | 9/2007 | Kongqiao et al. |
| D681,044 S | 4/2013 | Sakata | 2008/0066016 A1* | 3/2008 | Dowdy et al. 715/854 |
| 8,687,211 B2* | 4/2014 | Mitsui et al. 358/1.13 | 2010/0205563 A1* | 8/2010 | Haapsaari et al. 715/825 |
| D712,426 S * | 9/2014 | Morisada et al. D14/486 | 2010/0325568 A1 | 12/2010 | Pedersen et al. |
| D718,333 S * | 11/2014 | Lacour et al. D14/487 | 2011/0107223 A1 | 5/2011 | Tilton et al. |
| D721,722 S * | 1/2015 | Lee D14/486 | 2012/0017147 A1* | 1/2012 | Mark 715/702 |
| | | | 2013/0091458 A1 | 4/2013 | Kang |
| | | | 2014/0304644 A1* | 10/2014 | Pereira et al. 715/784 |

* cited by examiner

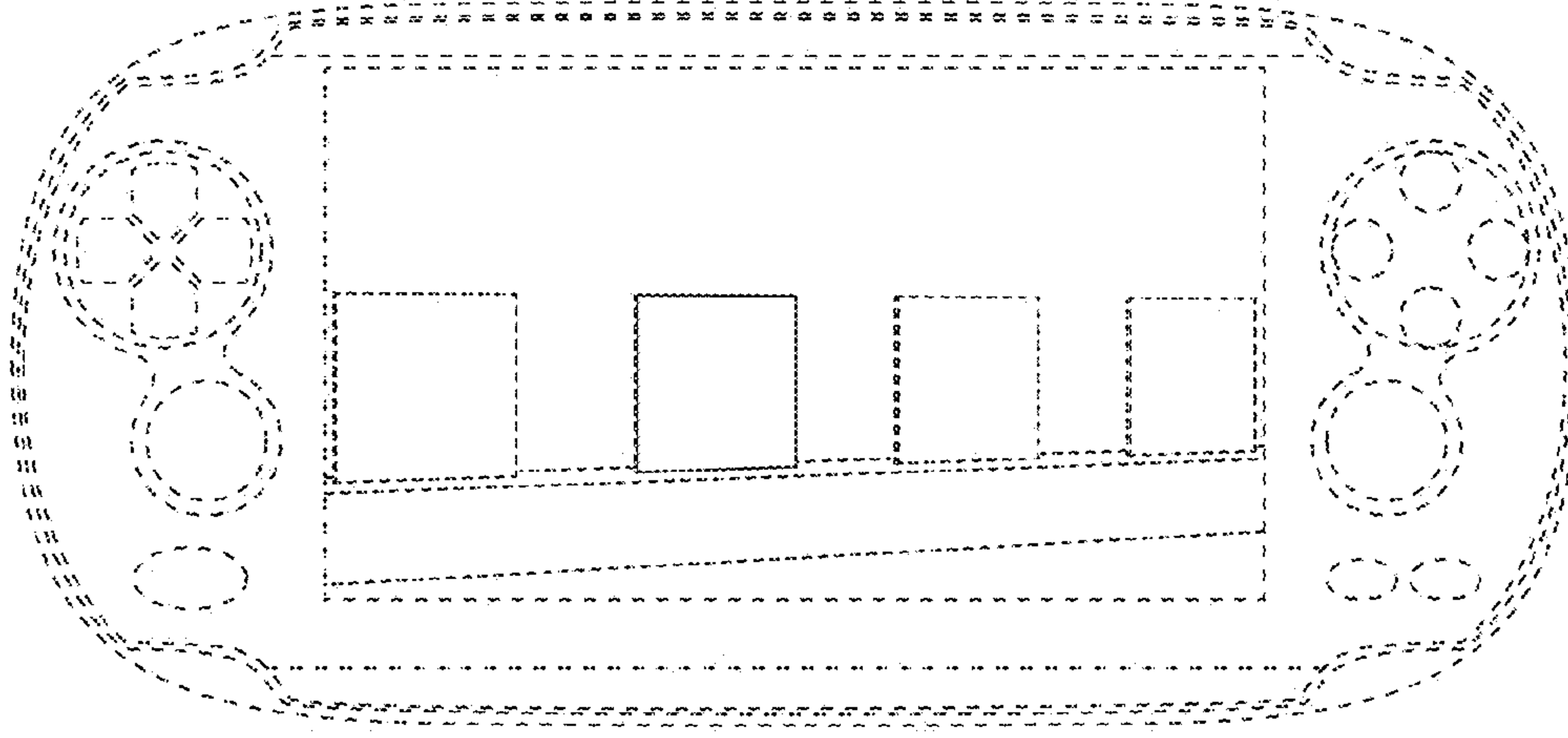


FIG. 1

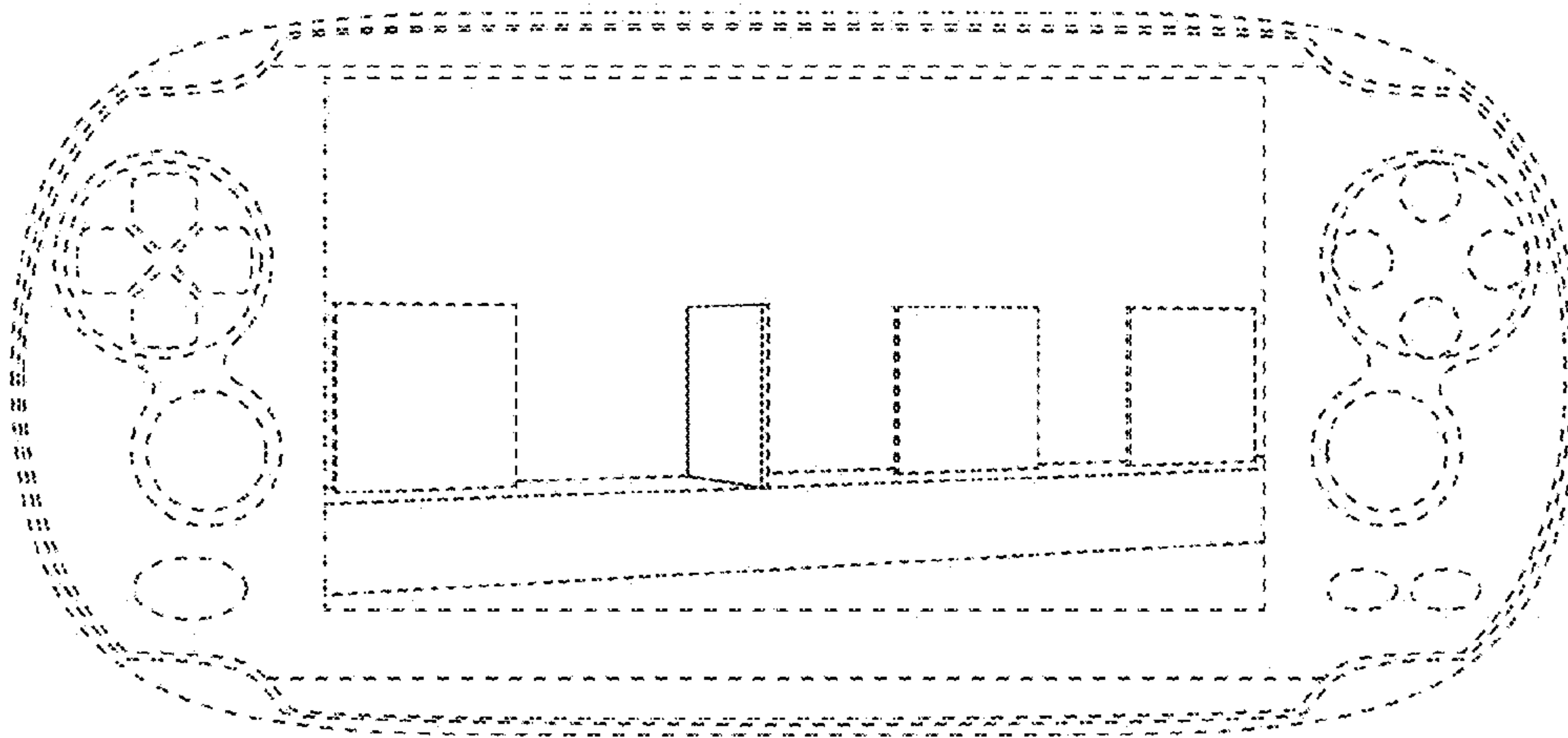


FIG. 2

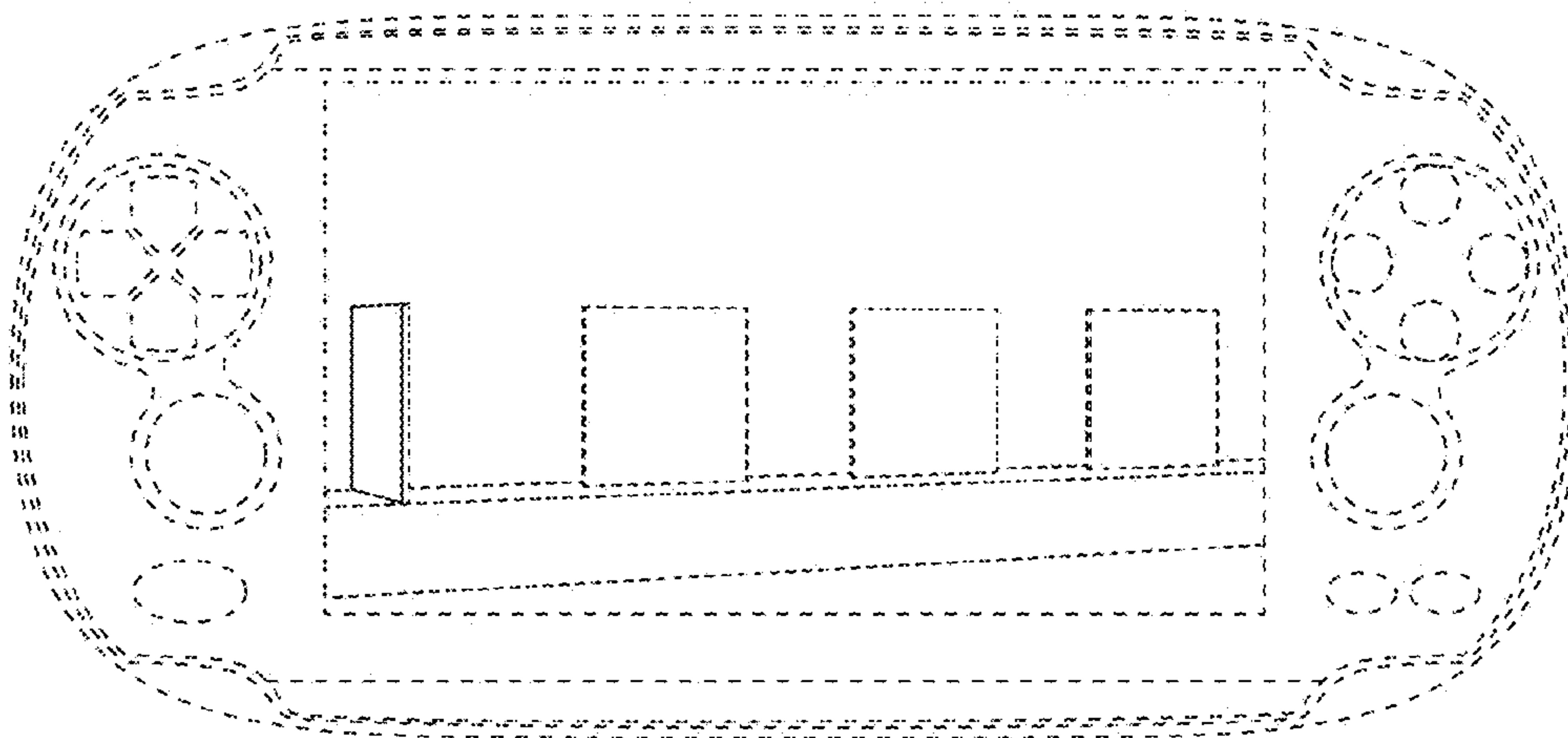


FIG. 3

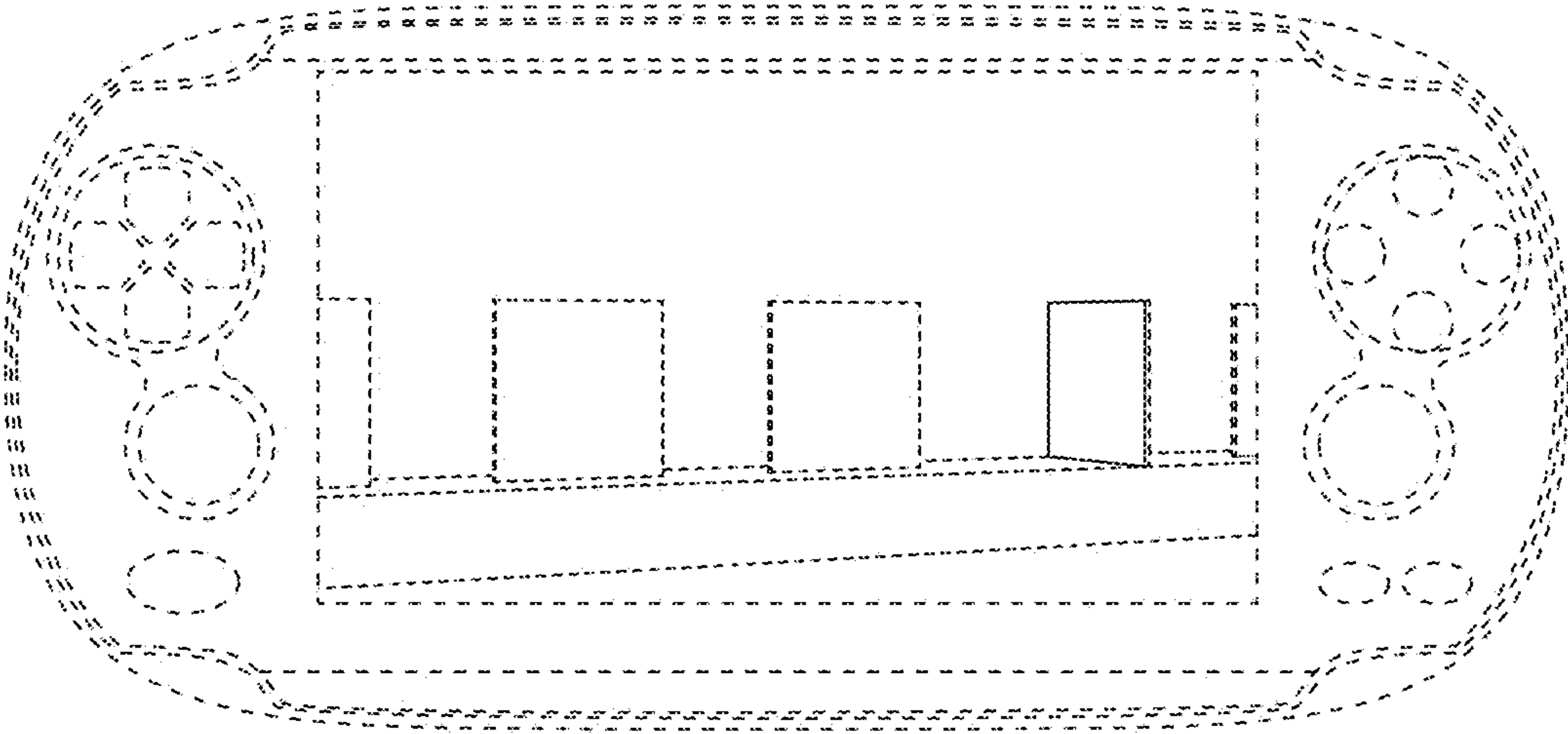


FIG. 4