



US00D745532S

(12) **United States Design Patent**
Gomez et al.

(10) **Patent No.:** **US D745,532 S**
(45) **Date of Patent:** **** Dec. 15, 2015**

(54) **DISPLAY SCREEN WITH TRANSITIONAL GRAPHICAL USER INTERFACE**

(71) Applicant: **Microsoft Corporation**, Redmond, WA (US)

(72) Inventors: **Harold S. Gomez**, Seattle, WA (US);
Hui-Chun Ku, Redmond, WA (US)

(73) Assignee: **Microsoft Corporation**, Redmond, WA (US)

(**) Term: **14 Years**

(21) Appl. No.: **29/459,040**

(22) Filed: **Jun. 25, 2013**

(51) **LOC (10) Cl.** **14-04**

(52) **U.S. Cl.**
USPC **D14/485**

(58) **Field of Classification Search**
USPC D14/485-495
CPC G06F 3/0488; G06F 3/04817; G06F 3/04855; G06F 3/04886

See application file for complete search history.

(56) **References Cited**

U.S. PATENT DOCUMENTS

D545,827 S	7/2007	Evans et al.	
D554,138 S	10/2007	Evans et al.	
D559,852 S	1/2008	Evans et al.	
D570,359 S *	6/2008	Sriver	D14/486
D648,344 S *	11/2011	Arnold	D14/486
D648,345 S *	11/2011	Arnold et al.	D14/486
D648,735 S *	11/2011	Arnold et al.	D14/486
D655,302 S	3/2012	Gleasant et al.	
D658,198 S	4/2012	Gleasant et al.	
D658,200 S *	4/2012	Gleasant et al.	D14/486
D658,201 S *	4/2012	Gleasant et al.	D14/486
D658,675 S *	5/2012	Gleasant et al.	D14/488
D658,677 S *	5/2012	Gleasant et al.	D14/488
D664,557 S	7/2012	Shallcross et al.	

D664,561 S *	7/2012	Gleasant et al.	D14/488
D664,972 S *	8/2012	Gleasant et al.	D14/486
D664,973 S *	8/2012	Gleasant et al.	D14/486
D664,974 S	8/2012	Gleasant et al.	
D664,987 S *	8/2012	Gleasant et al.	D14/488
D664,988 S *	8/2012	Gleasant et al.	D14/488
D666,630 S	9/2012	LeVee et al.	
D668,262 S *	10/2012	Gleasant et al.	D14/488
D671,132 S *	11/2012	Woo	D14/487
D673,172 S *	12/2012	Peters et al.	D14/487
D688,691 S *	8/2013	Gleasant et al.	D14/488
D689,889 S *	9/2013	Frijlink et al.	D14/486
D699,740 S *	2/2014	Woo	D14/487
D701,866 S *	4/2014	Pearson et al.	D14/485
D705,244 S *	5/2014	Arnold et al.	D14/486
D719,187 S *	12/2014	Arnold et al.	D14/488
D720,367 S *	12/2014	Woo	D14/487
D731,523 S *	6/2015	Frew et al.	D14/487

* cited by examiner

Primary Examiner — Deanna L Pratt

(74) *Attorney, Agent, or Firm* — Banner & Witcoff, Ltd.

(57) **CLAIM**

The ornamental design for a display screen with transitional graphical user interface, as shown and described.

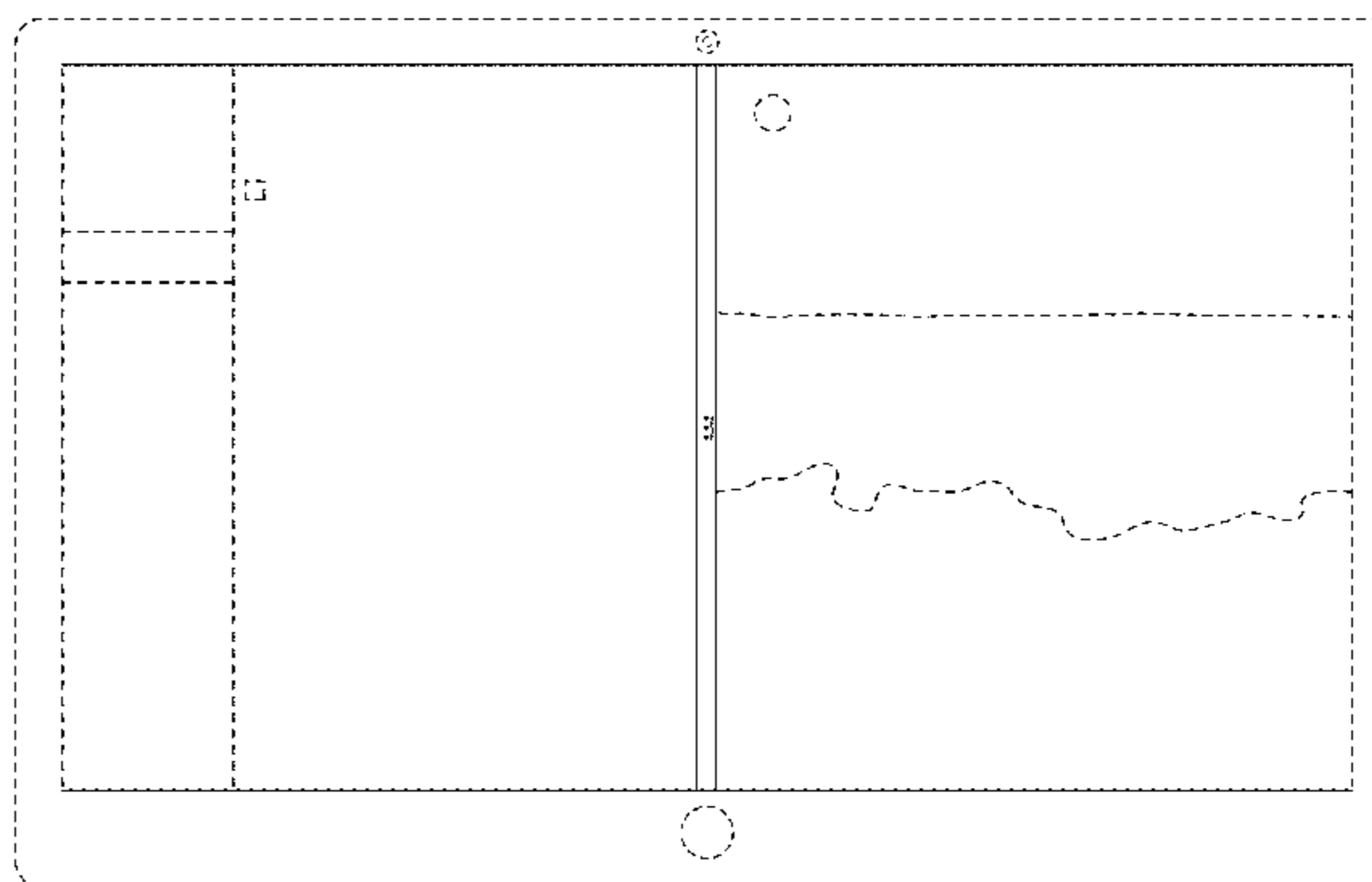
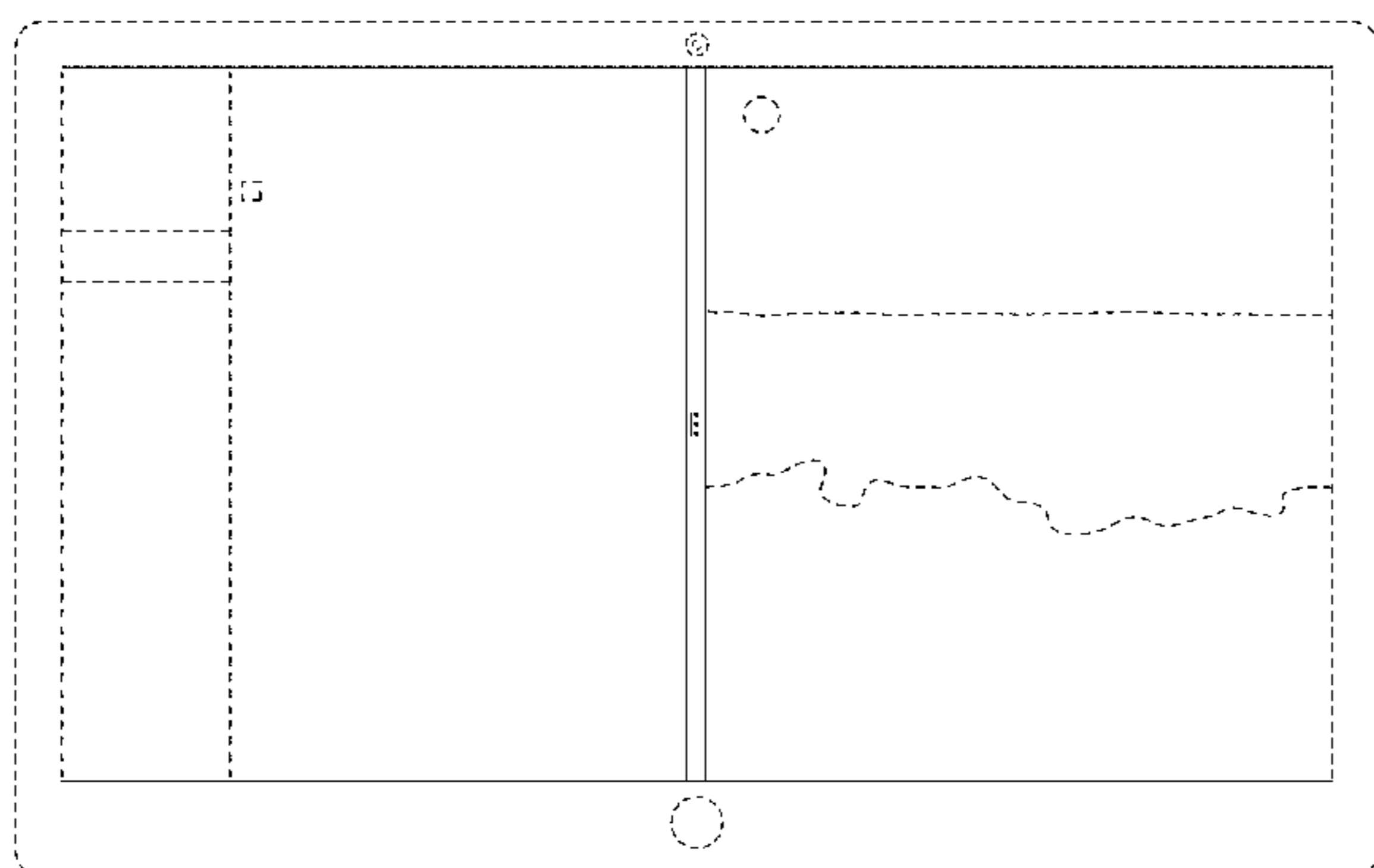
DESCRIPTION

FIG. 1 is the first image in a sequence for a display screen with transitional graphical user interface showing the new design; and,

FIG. 2 is the second image thereof.

The broken line showing of portions of the graphical user interface illustrates portions of the graphical user interface which form no part of the claimed design. The broken line showing of portions of the display screen illustrates the environment of the claimed design and forms no part thereof. The appearance of the image transitions sequentially between the images shown in FIGS. 1-2. The process or period in which an image transitions to another forms no part of the claimed design.

1 Claim, 2 Drawing Sheets



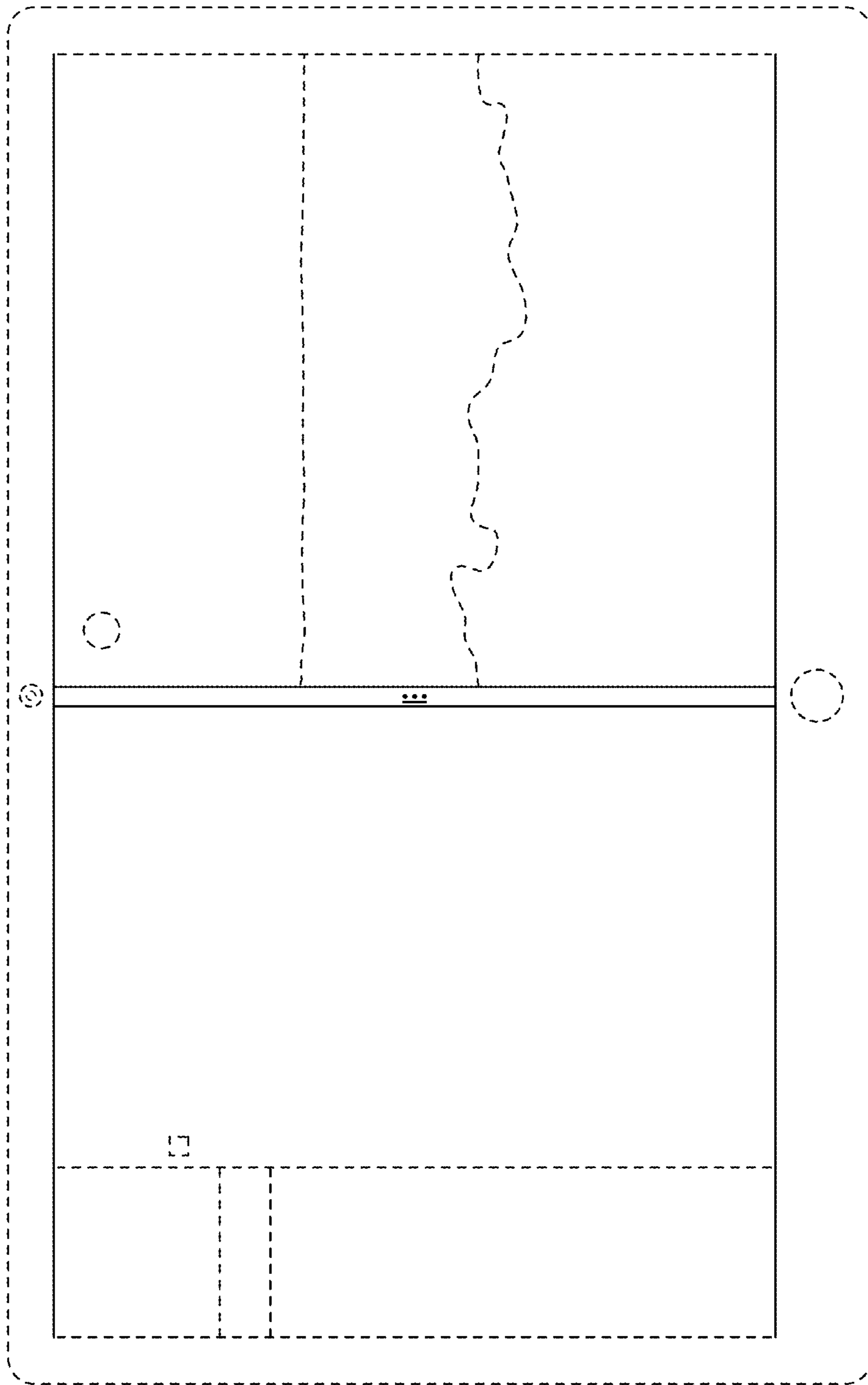


FIG. 1

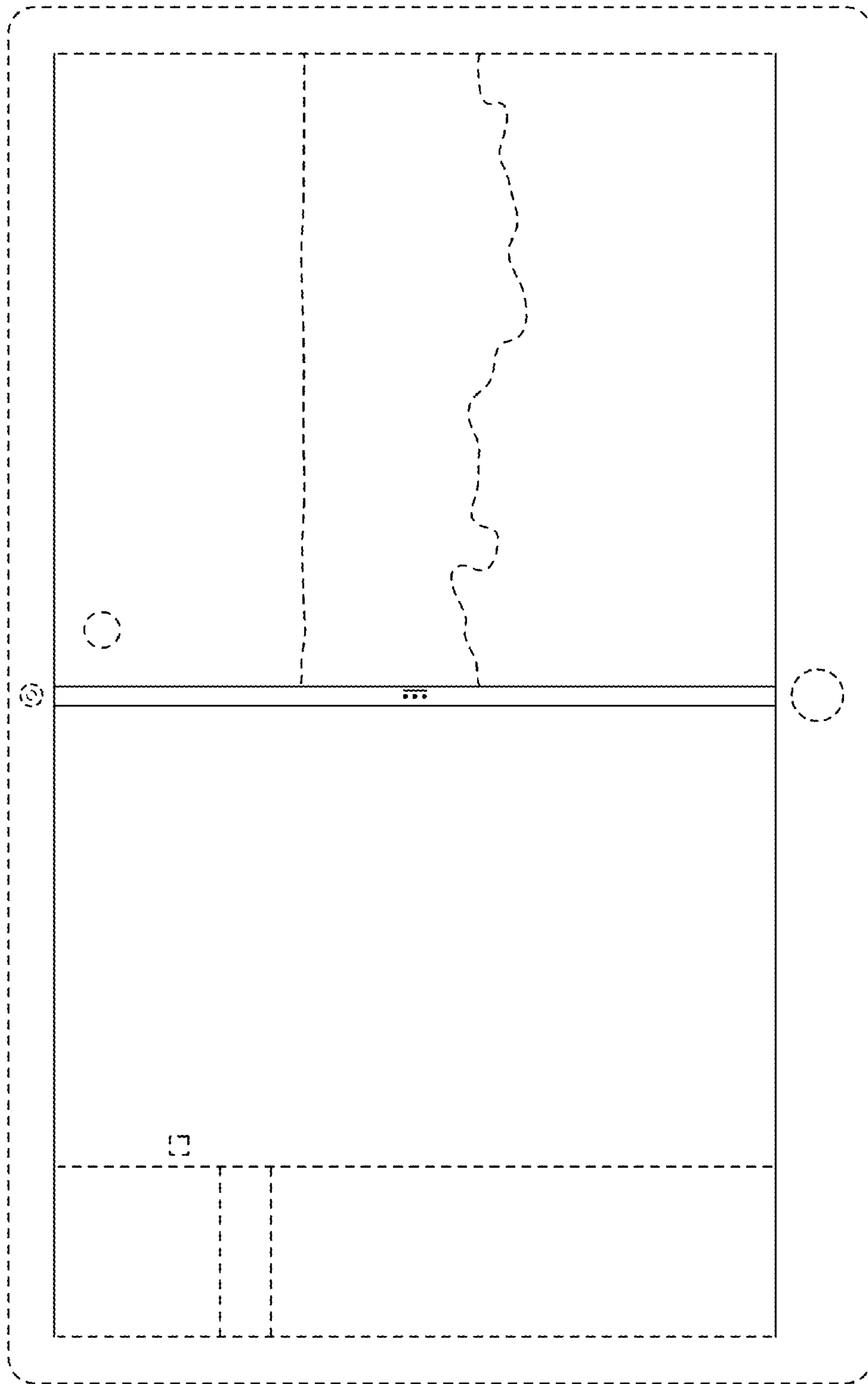


FIG. 2