



US00D745526S

(12) **United States Design Patent**
Takano et al.

(10) **Patent No.:** **US D745,526 S**
(45) **Date of Patent:** **** Dec. 15, 2015**

(54) **CASE FOR DATA RECORDER**

(56) **References Cited**

(71) Applicant: **YOKOGAWA ELECTRIC CORPORATION**, Musashino-shi, Tokyo (JP)
(72) Inventors: **Naoto Takano**, Musashino (JP); **Noriaki Senba**, Musashino (JP); **Kenichi Yoshida**, Musashino (JP)
(73) Assignee: **YOKOGAWA ELECTRIC CORPORATION**, Tokyo (JP)

U.S. PATENT DOCUMENTS

D432,515	S	*	10/2000	Mishra et al.	D14/167
D435,539	S	*	12/2000	Tsuge	D14/214
D436,953	S	*	1/2001	Matsuoka	D14/349
D454,854	S	*	3/2002	Yamashita et al.	D14/167
D466,506	S	*	12/2002	Matsuoka	D14/349
D471,172	S	*	3/2003	Greenway et al.	D14/155
D489,352	S	*	5/2004	Ueda	D14/168
D597,064	S	*	7/2009	Machida	D14/167
D659,668	S	*	5/2012	Neumann	D14/155
D690,711	S	*	10/2013	Tsuda et al.	D14/474
D725,099	S	*	3/2015	Neumann	D14/358
D727,765	S	*	4/2015	Hoshal	D10/83
D727,906	S	*	4/2015	Neumann	D14/433

(**) Term: **14 Years**

* cited by examiner

(21) Appl. No.: **29/510,096**

Primary Examiner — Austin Murphy

(22) Filed: **Nov. 25, 2014**

(74) *Attorney, Agent, or Firm* — Sughrue Mion, PLLC

(30) **Foreign Application Priority Data**

(57) **CLAIM**

The ornamental design for a case for data recorder, as shown and described.

May 30, 2014 (JP) 2014-011589

DESCRIPTION

(51) **LOC (10) Cl.** **14-99**

FIG. 1 is a perspective view of a case for data recorder showing our new design;
FIG. 2 is a front view thereof;
FIG. 3 is a rear view thereof;
FIG. 4 is a left side view thereof;
FIG. 5 is a right side view thereof;
FIG. 6 is a top view thereof;
FIG. 7 is a bottom view thereof;
FIG. 8 is a cross-sectional view taken along line 8-8 in FIG. 2, omitting the interior mechanism;
FIG. 9 is a perspective view of usage thereof; and,
FIG. 10 is a perspective view of usage thereof.
The broken lines shown are included for the purpose of illustrating the unclaimed portions of the case for data recorder and form no part of the claimed design.

(52) **U.S. Cl.**

USPC **D14/474**

(58) **Field of Classification Search**

USPC D14/300–302, 314, 348–370, 383–385, D14/435, 496, 125, 135, 155, 160, 167, D14/240–242, 299; D3/273; D9/432; D10/65, 75, 78, 83; D13/103, 119, D13/162, 184, 199

CPC G01M 7/00; G01M 7/02; G01M 7/022; G01M 7/025; G01M 7/027; G01M 7/04; G01M 7/045; G01M 7/06; G01M 7/08

See application file for complete search history.

1 Claim, 10 Drawing Sheets

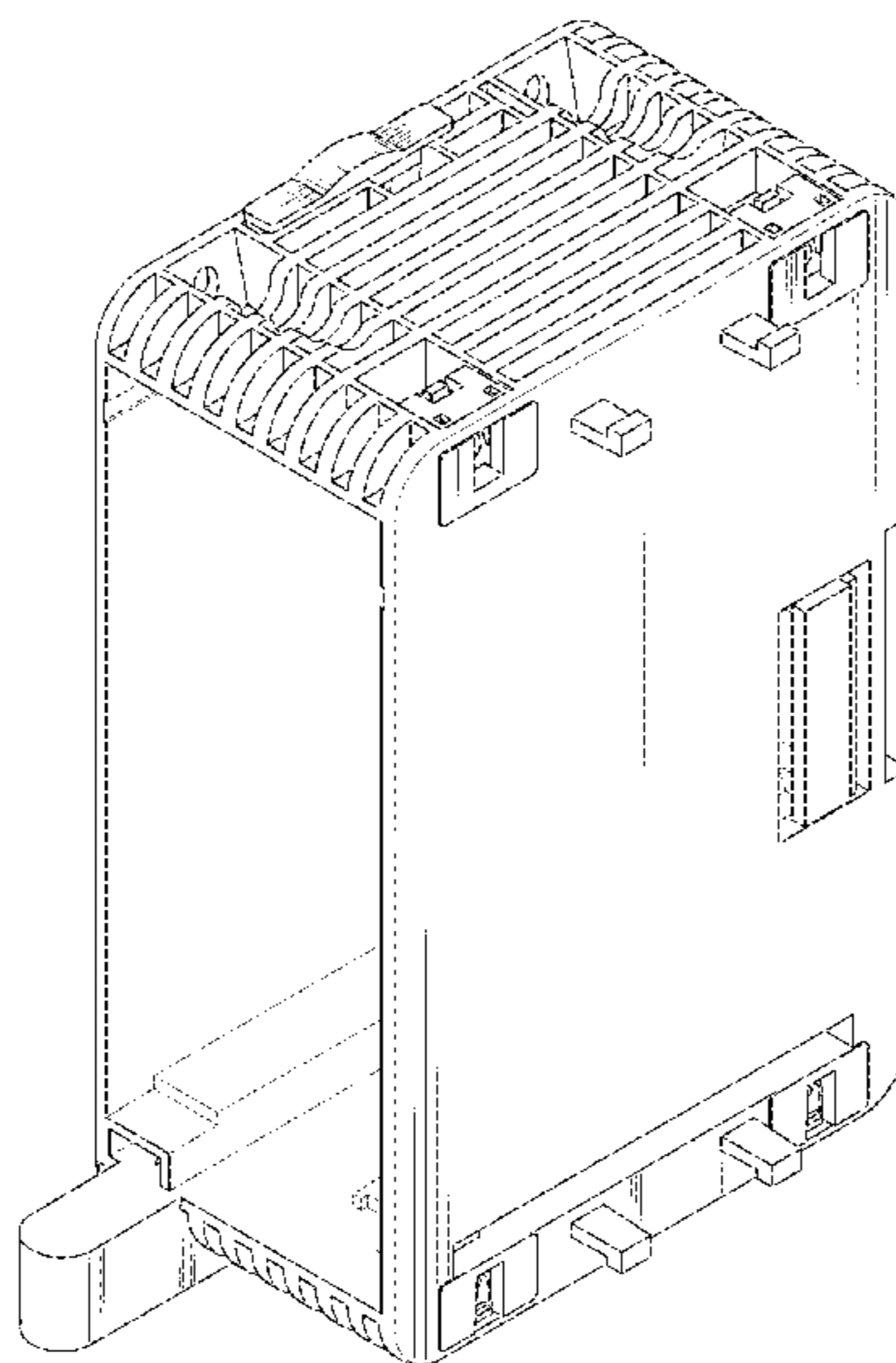


Fig. 1

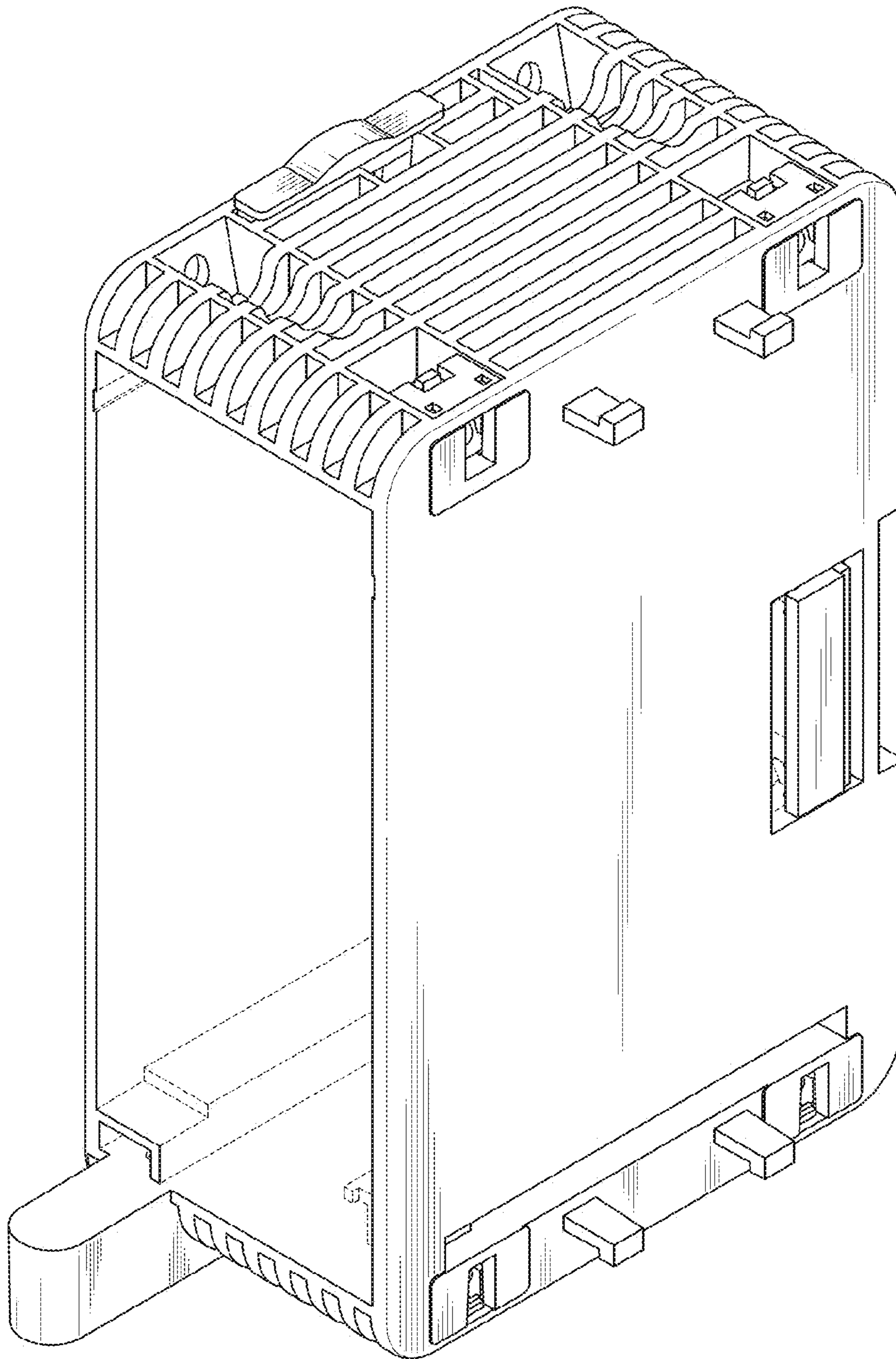


Fig. 2

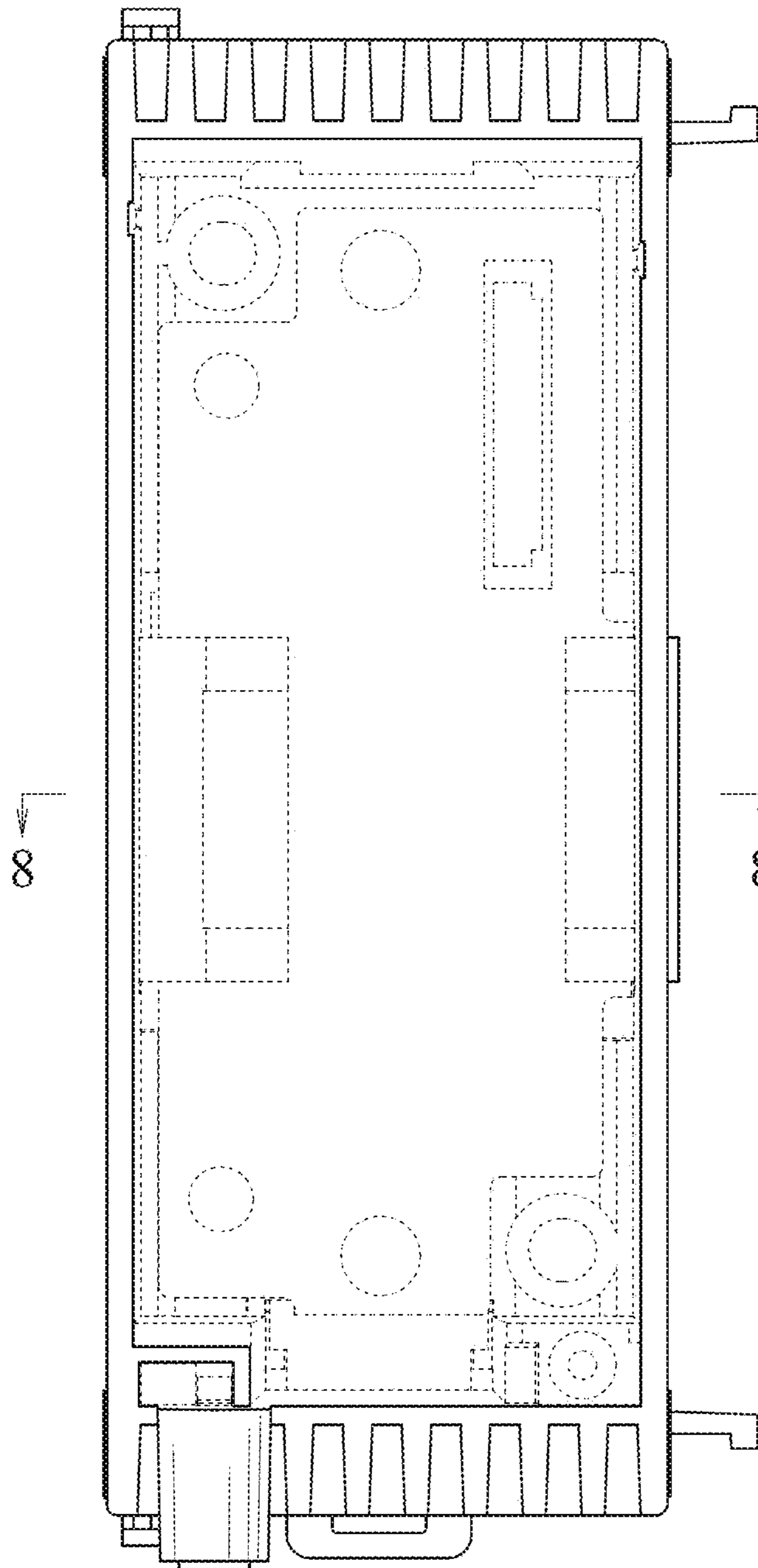


Fig. 3

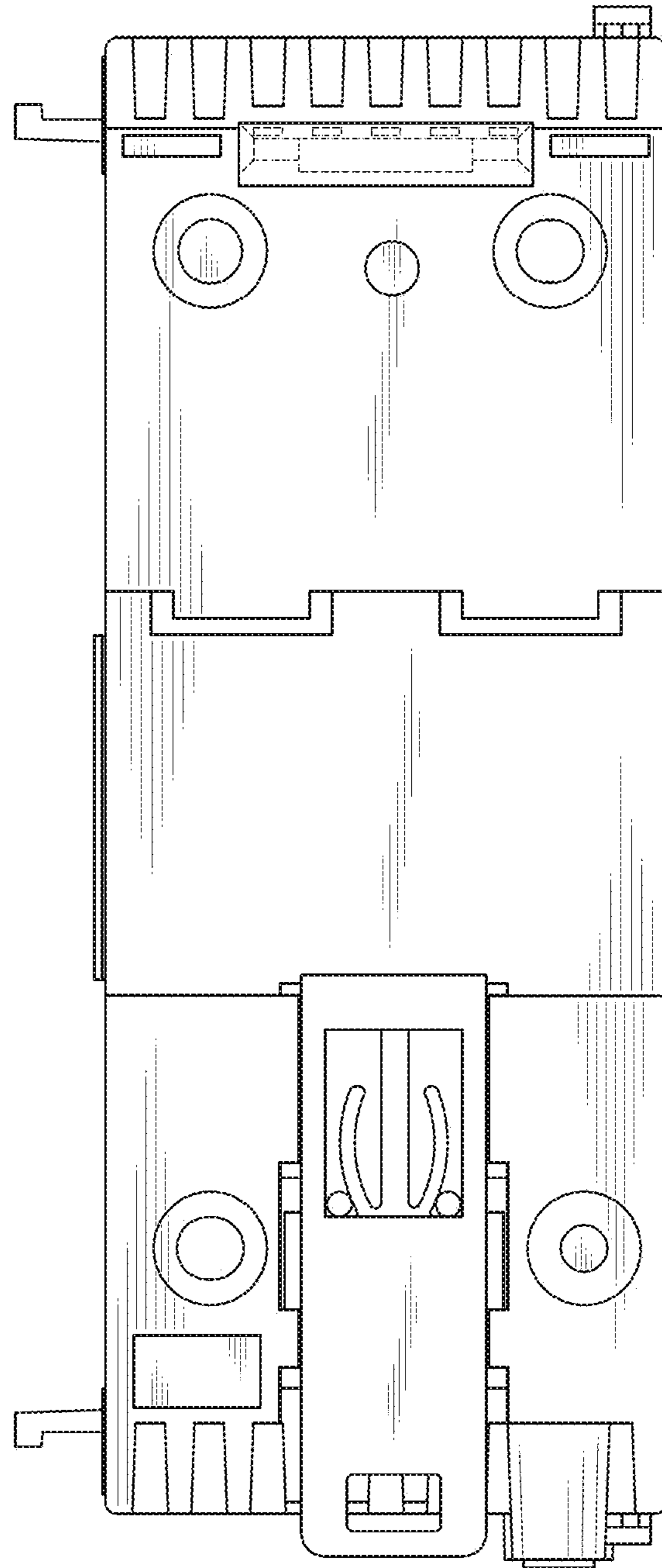


Fig. 4

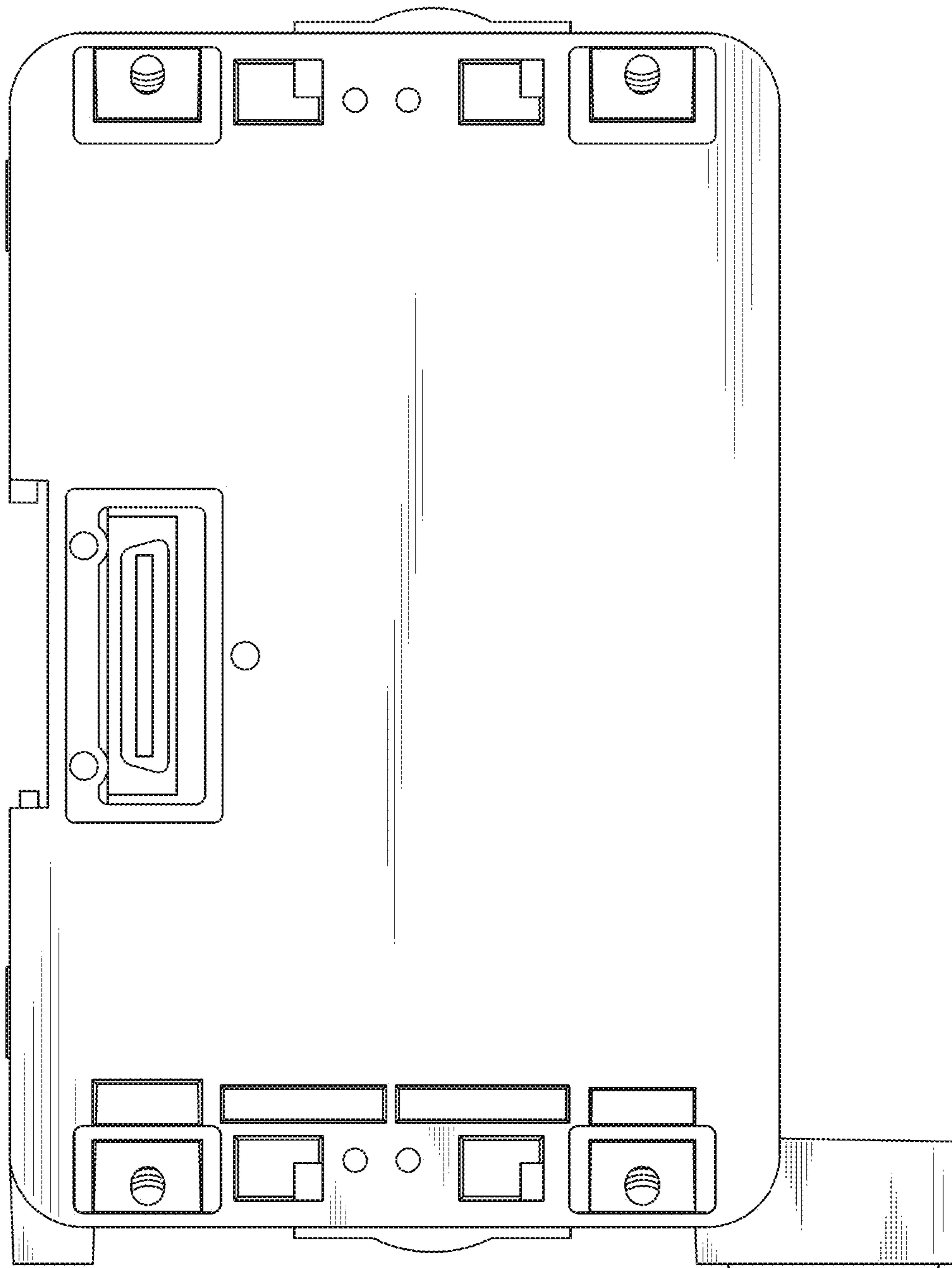


Fig. 5

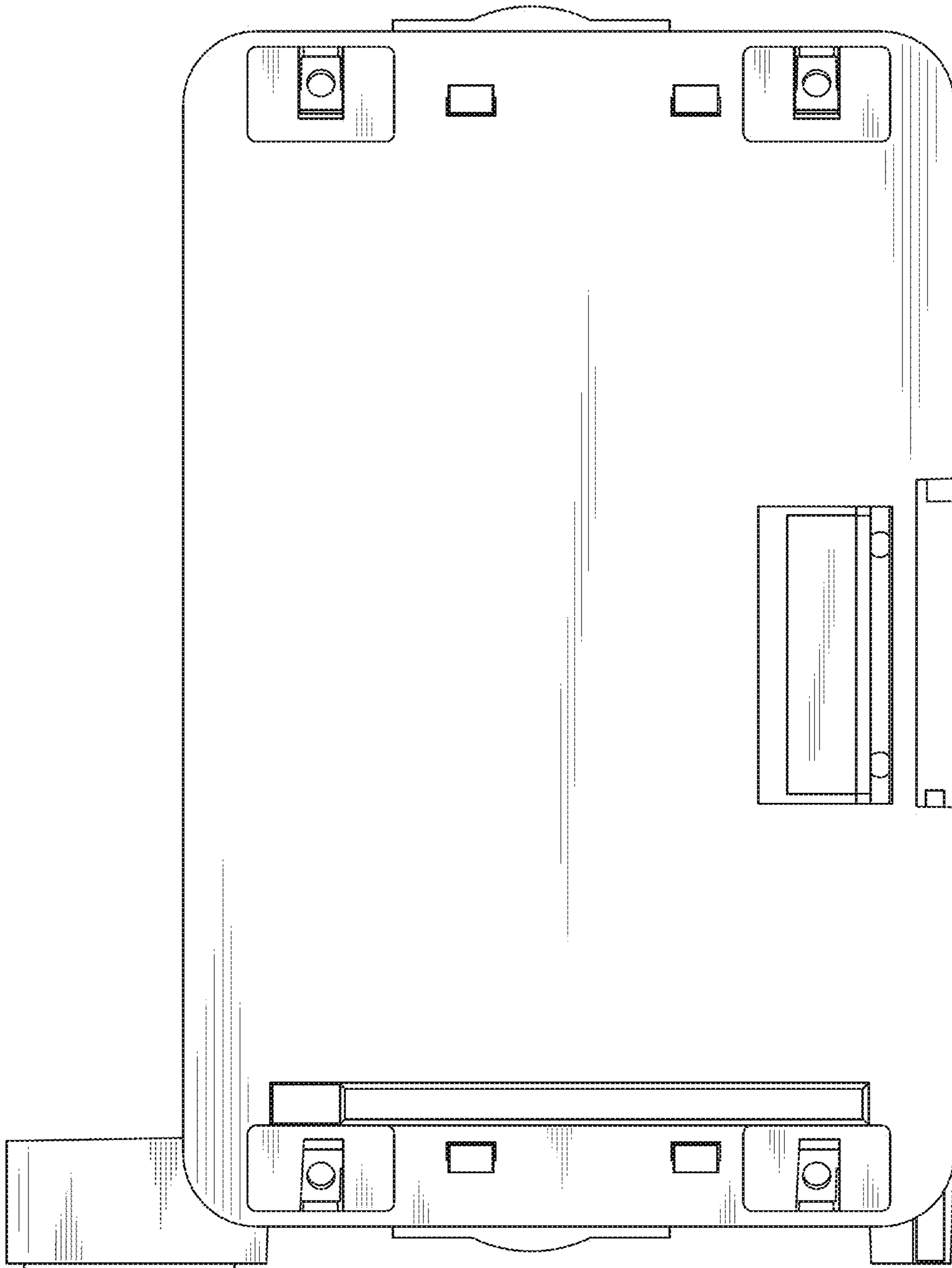


Fig. 6

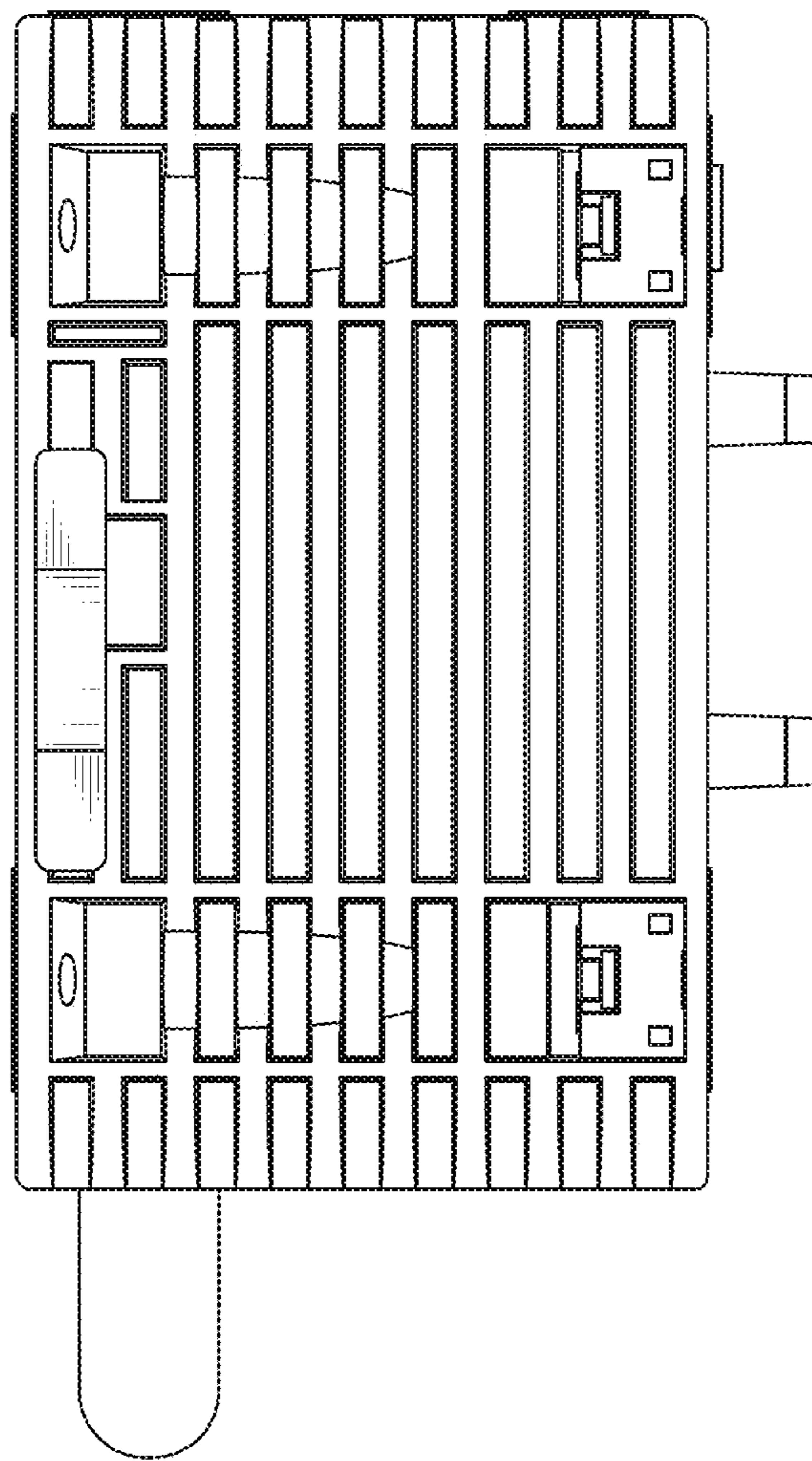


Fig. 7

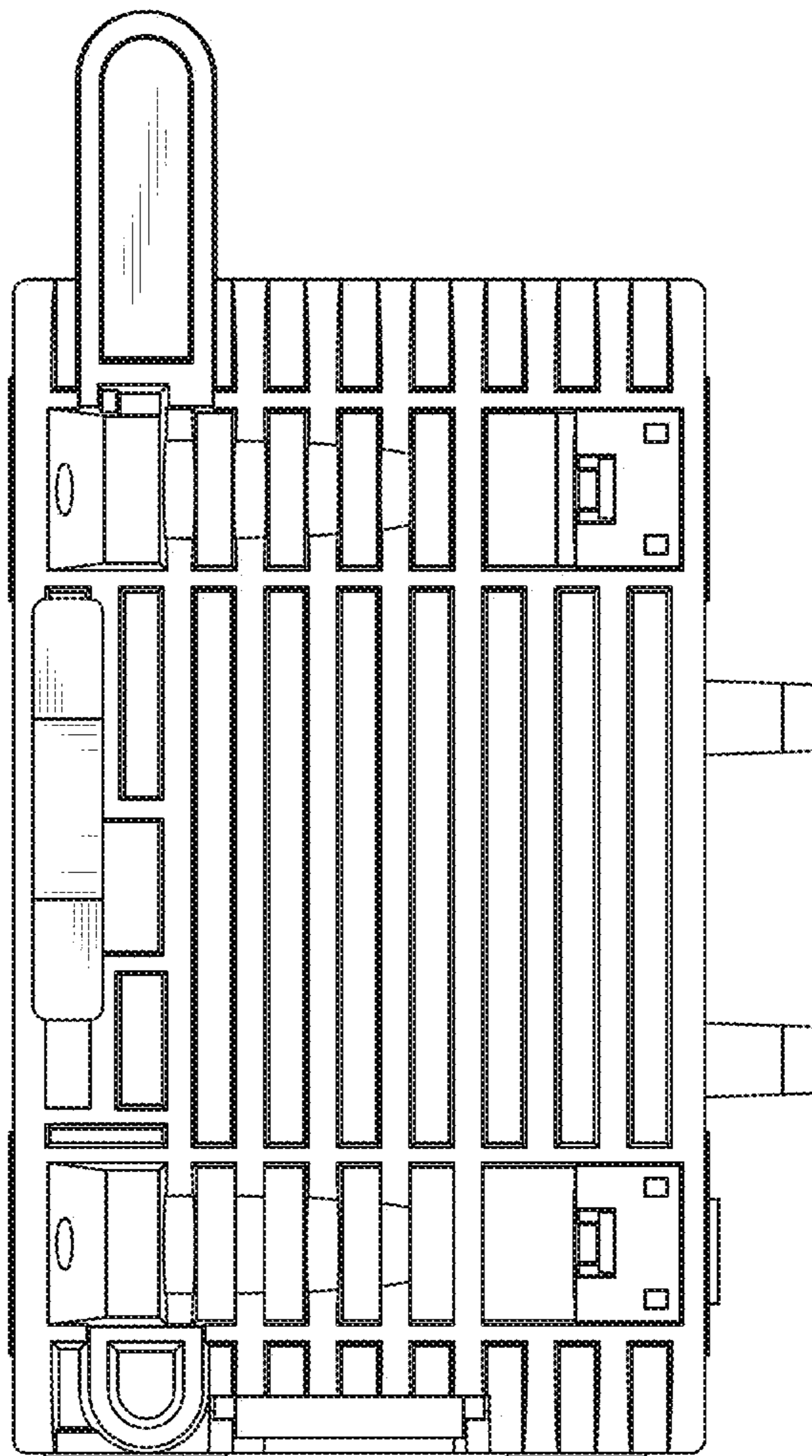


Fig. 8

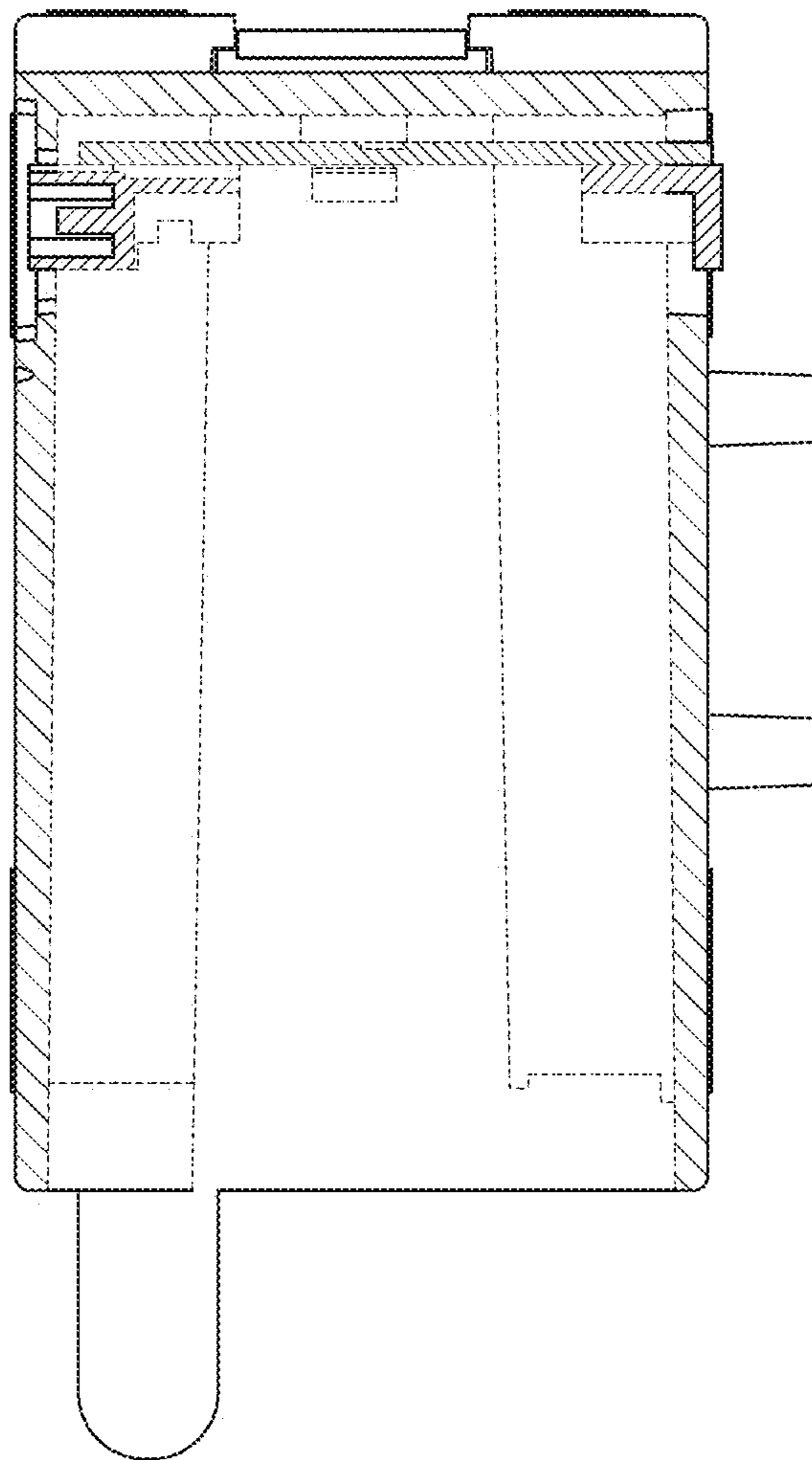


Fig. 9

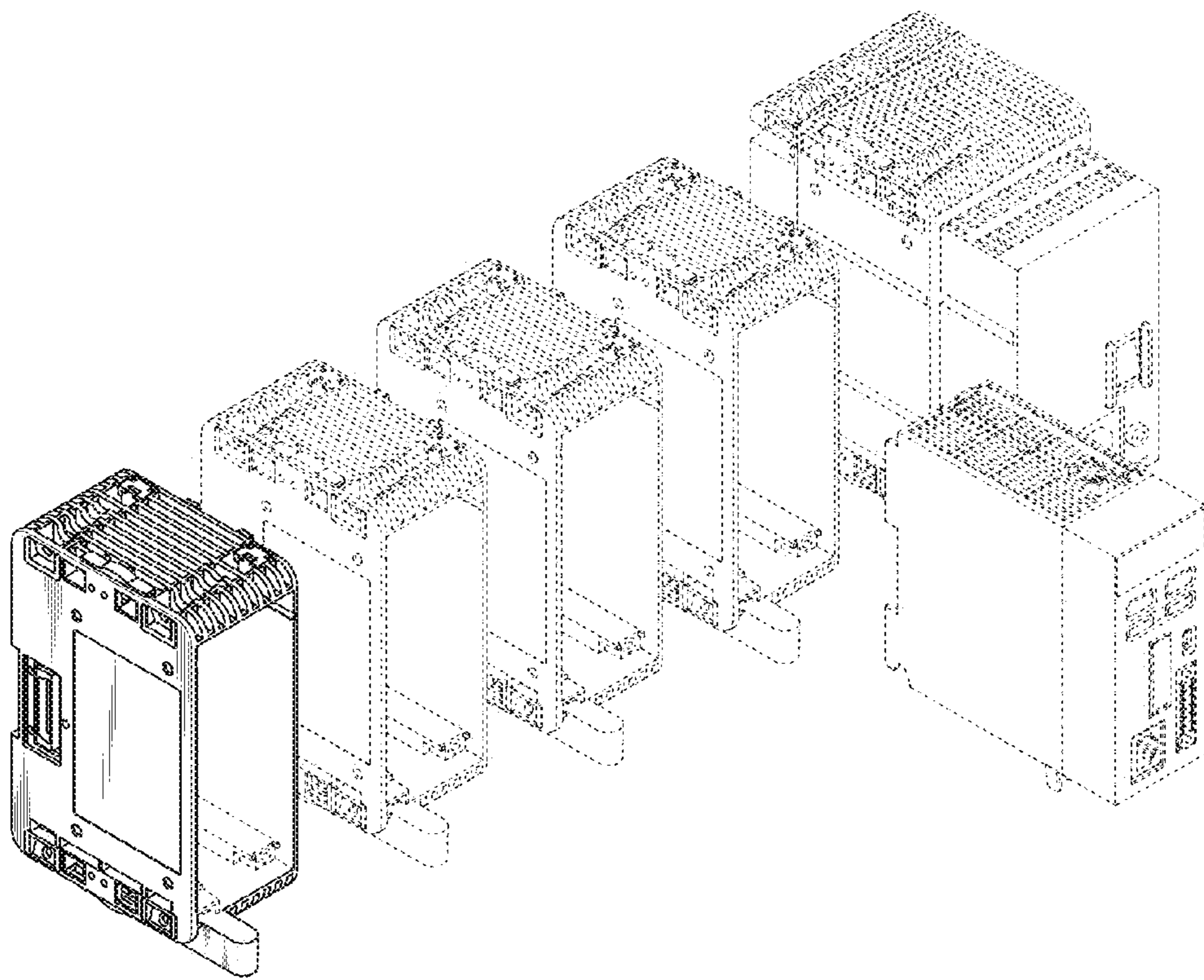


Fig. 10

