



US00D745523S

(12) **United States Design Patent**
Magi

(10) **Patent No.:** **US D745,523 S**

(45) **Date of Patent:** **** Dec. 15, 2015**

(54) **WIRELESS ADAPTER**

(71) Applicant: **Intel Corporation**, Santa Clara, CA
(US)

(72) Inventor: **Aleksander Magi**, Aloha, OR (US)

(73) Assignee: **Intel Corporation**, Santa Clara, CA
(US)

(**) Term: **14 Years**

(21) Appl. No.: **29/513,075**

(22) Filed: **Dec. 26, 2014**

(51) **LOC (10) Cl.** **14-02**

(52) **U.S. Cl.**
USPC **D14/433**

(58) **Field of Classification Search**
USPC D14/356, 432-434, 453, 454, 511,
D14/203.8, 209.1, 238.1, 240, 125;
439/638, 928, 105, 502; 710/303, 304;
361/679.41, 679.55, 679.56; D13/110,
D13/133, 146
CPC ... H04L 12/2832; H04L 12/2838; G06F 3/00;
G06F 5/00; G06F 13/14
See application file for complete search history.

(56) **References Cited**

U.S. PATENT DOCUMENTS

D559,848 S * 1/2008 Siu D14/433
D564,520 S * 3/2008 Baseflug et al. D14/433
D605,650 S * 12/2009 Ribeiro D14/433

D627,784 S * 11/2010 Yamamoto D14/433
D649,971 S * 12/2011 Lyford et al. D14/433
D692,427 S * 10/2013 Janson D14/388
D714,293 S * 9/2014 Kelly et al. D14/433
D721,374 S * 1/2015 Liu D14/433
D729,806 S * 5/2015 Park et al. D14/433
D730,903 S * 6/2015 Langhammer et al. D14/433
D731,489 S * 6/2015 Langhammer et al. D14/433
D732,035 S * 6/2015 Akana et al. D14/433
D733,142 S * 6/2015 Solomon et al. D14/433

* cited by examiner

Primary Examiner — Austin Murphy

(74) *Attorney, Agent, or Firm* — Patent Capital Group

(57) **CLAIM**

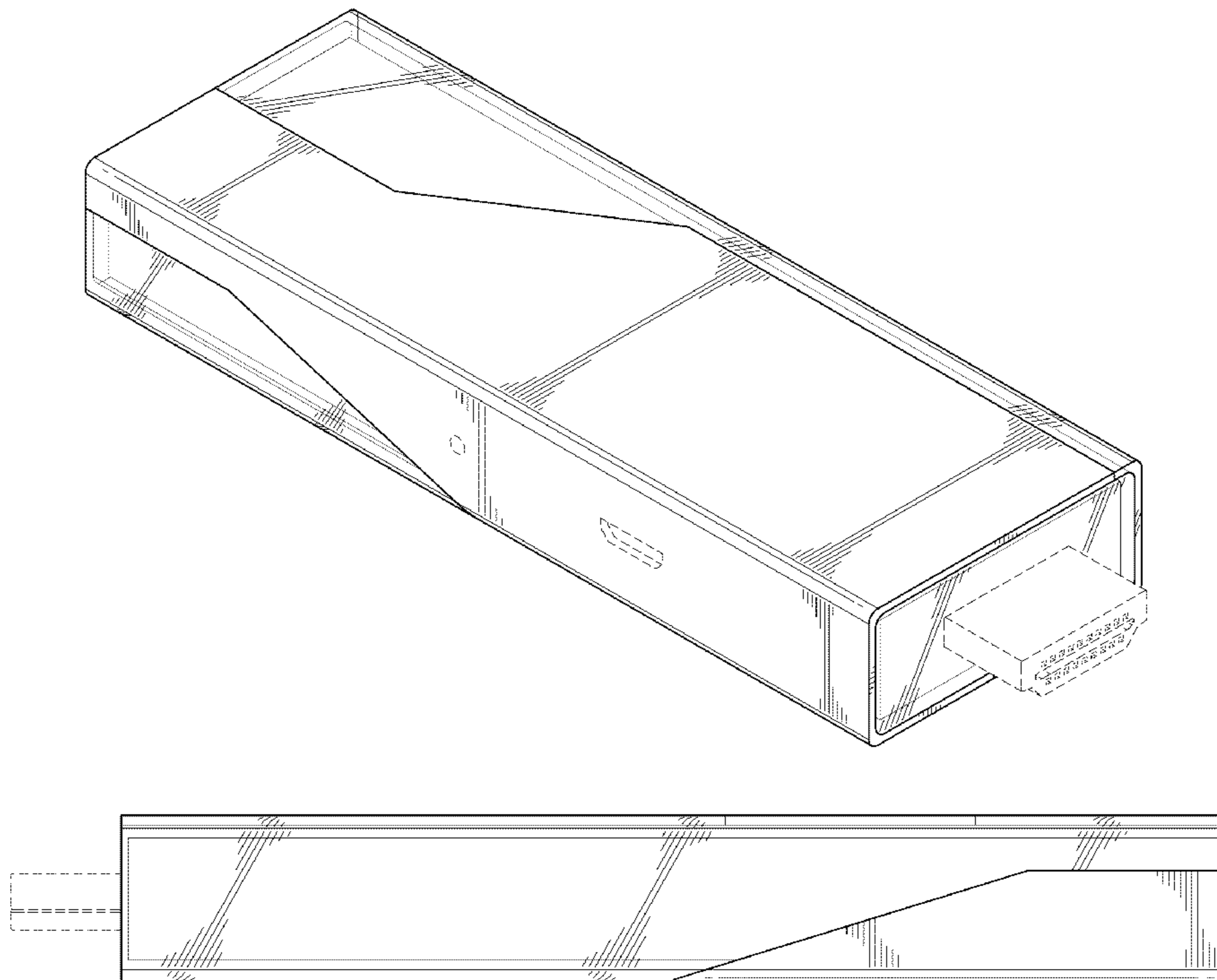
The ornamental design for a wireless adapter, as shown and described.

DESCRIPTION

FIG. 1 is a perspective view illustrating a design for a wireless adapter;
FIG. 2 is a front view thereof;
FIG. 3 is a back view thereof;
FIG. 4 is a side view thereof;
FIG. 5 is another side view thereof;
FIG. 6 is a top view thereof; and,
FIG. 7 is a bottom view thereof.

The broken lines and the unshaded regions bounded by broken lines of the preceding FIGURES illustrate boundaries for the FIGURES; however, the broken lines and the unshaded regions bounded by broken lines form no part of the claimed design. Non-oblique line shading is meant to show contour and not surface ornamentation.

1 Claim, 3 Drawing Sheets



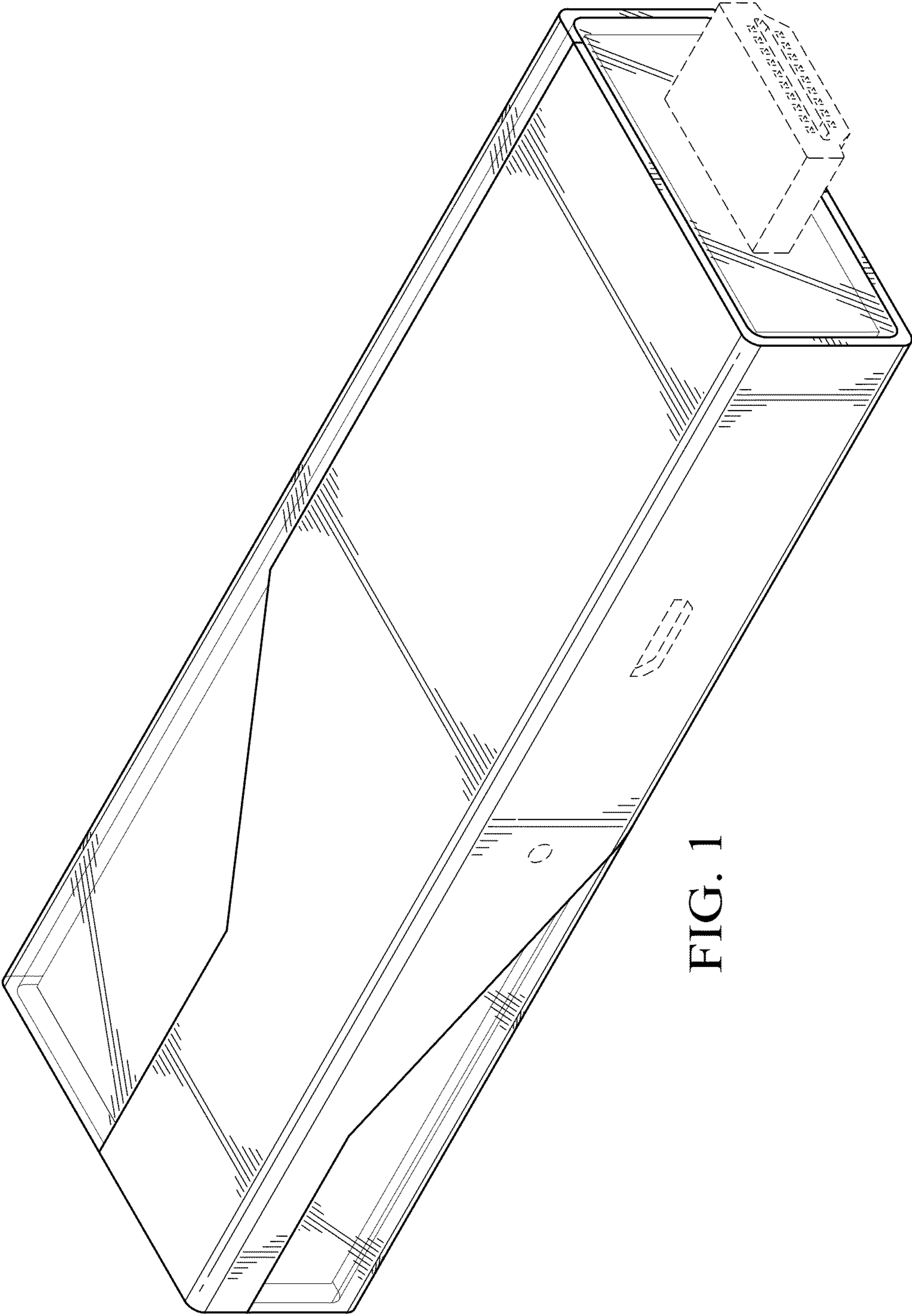


FIG. 1

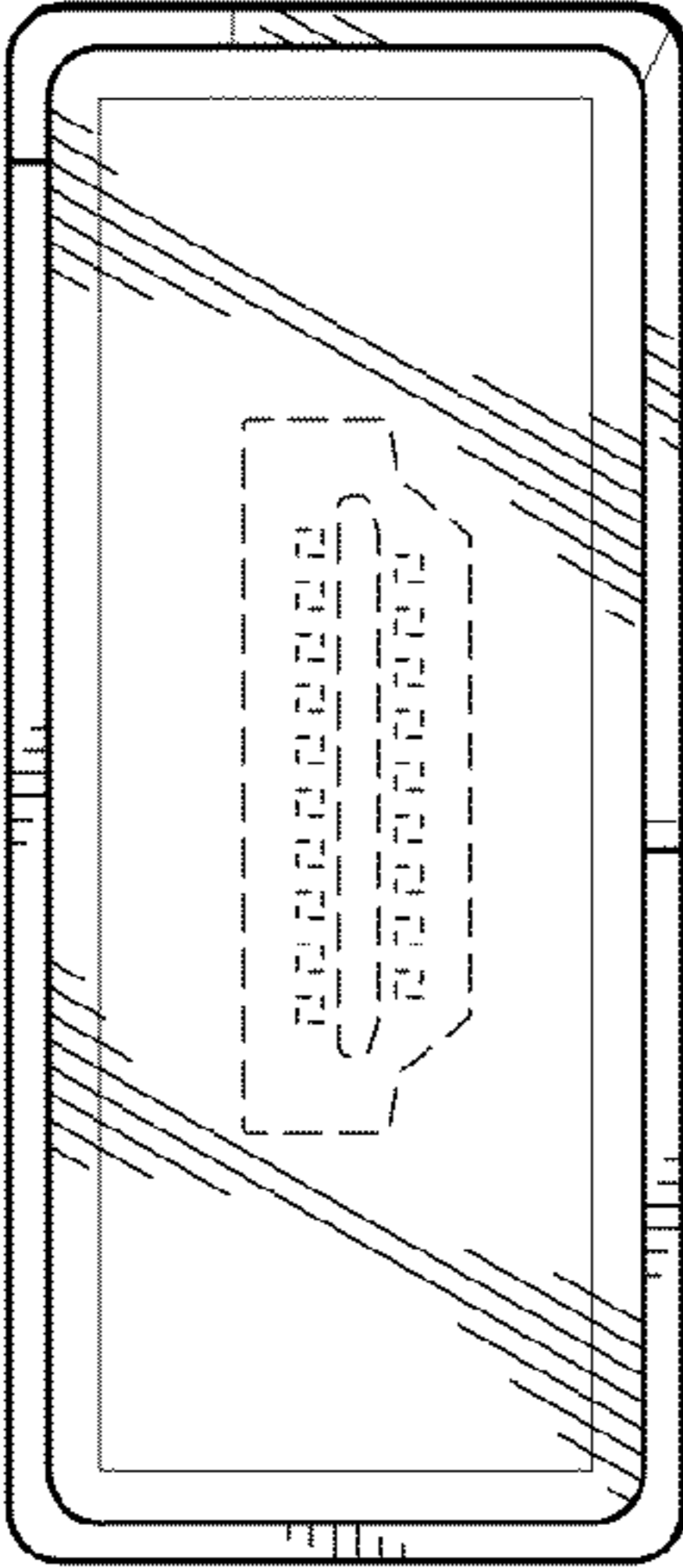


FIG. 2

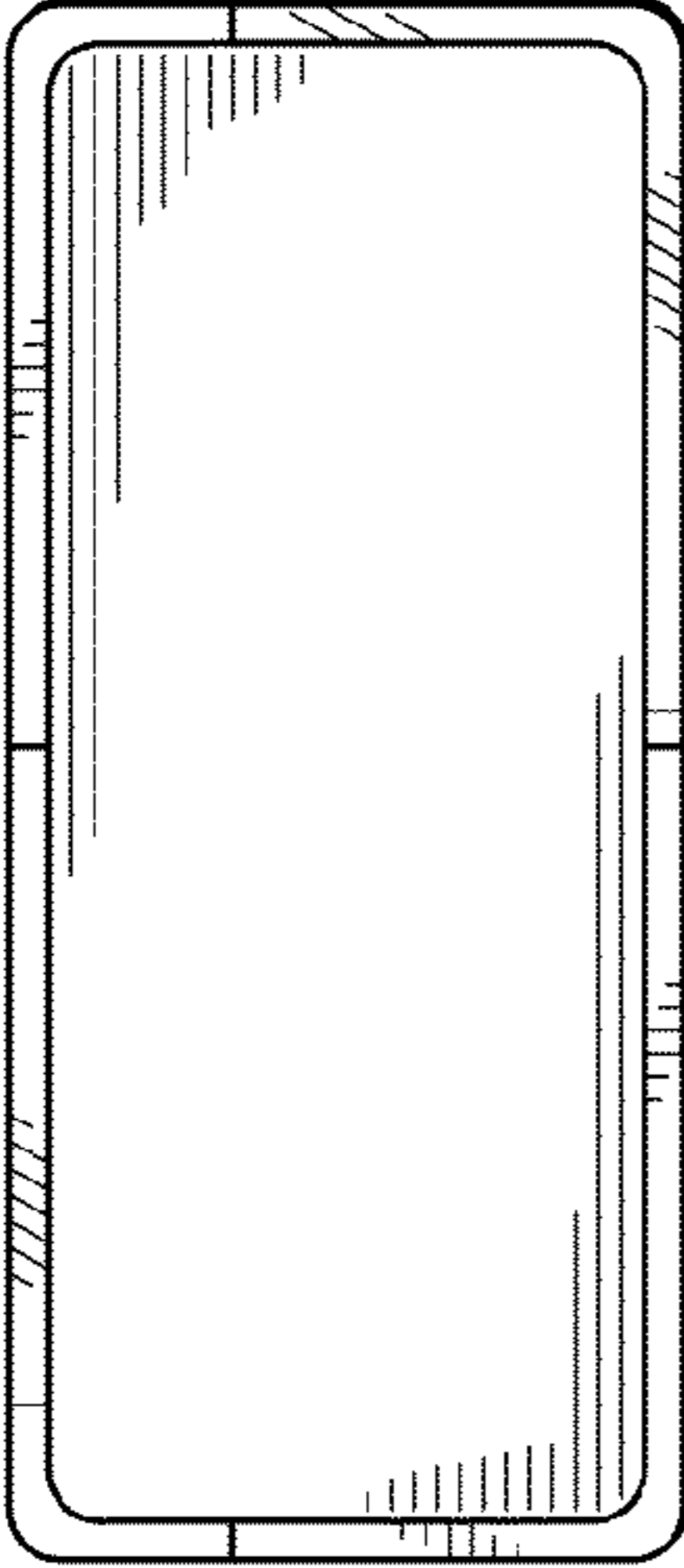


FIG. 3

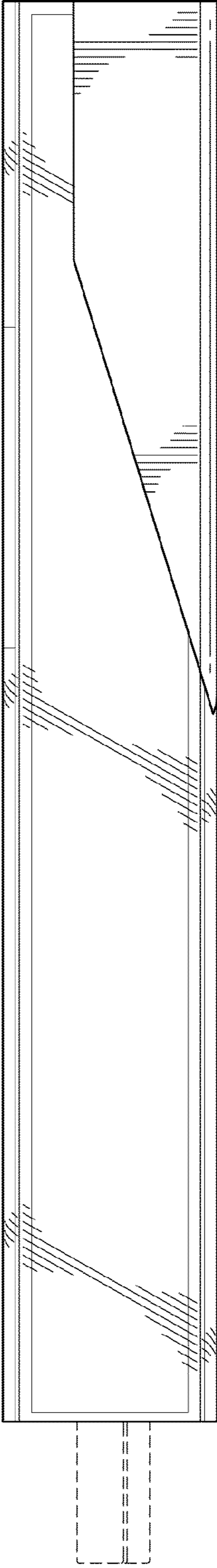


FIG. 4

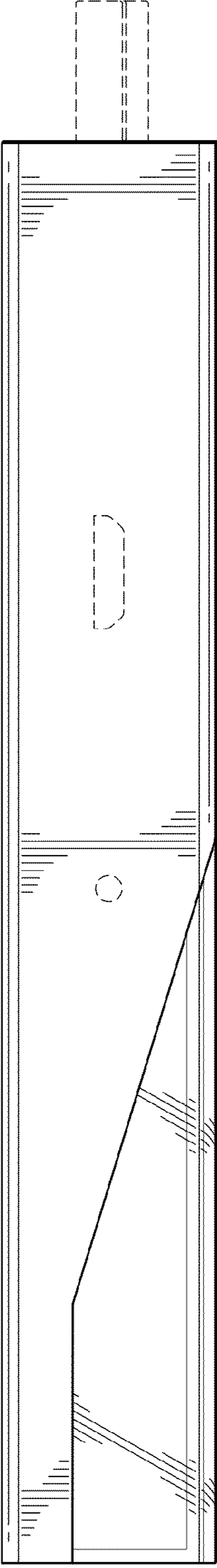


FIG. 5

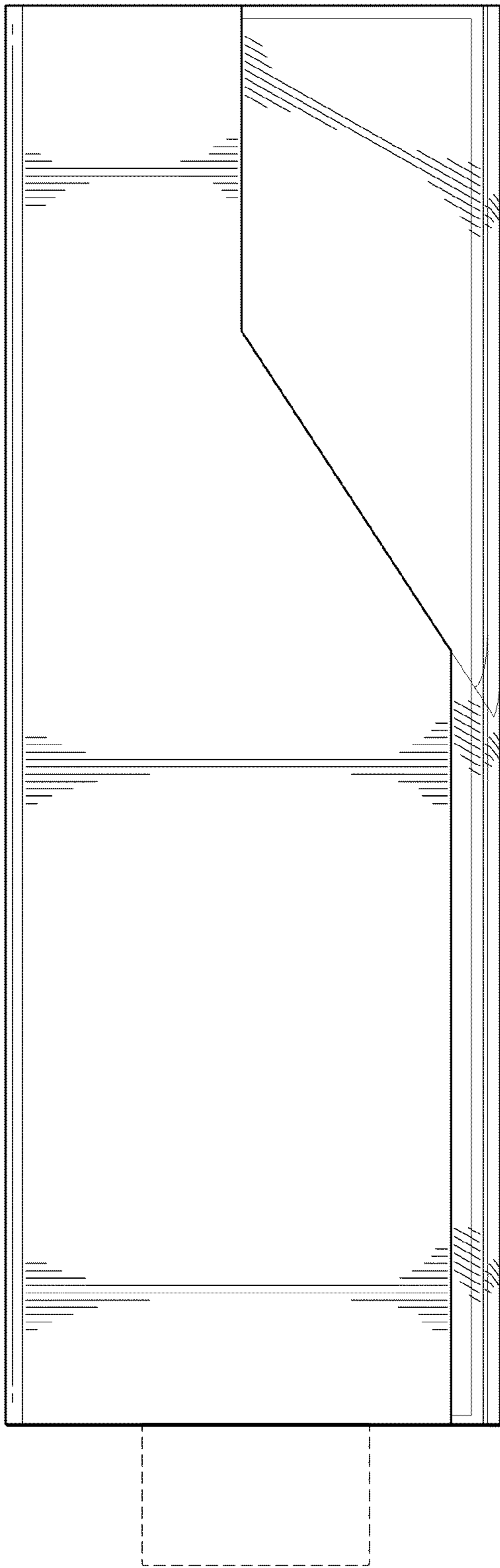


FIG. 6

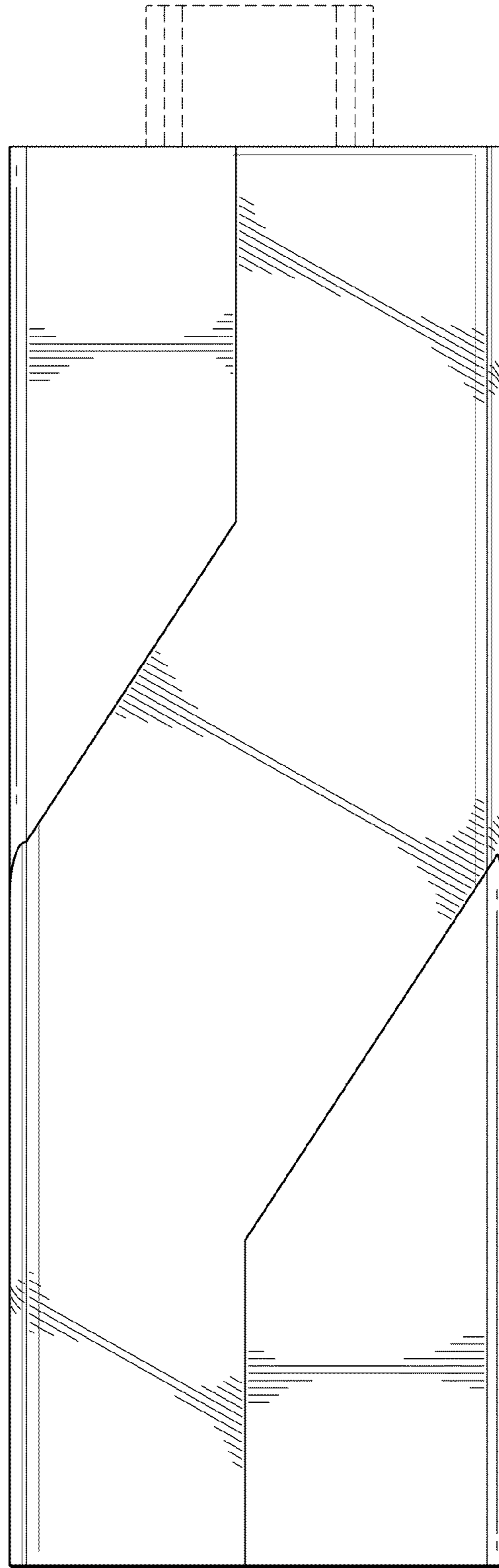


FIG. 7