



US00D745522S

(12) **United States Design Patent**
York et al.

(10) **Patent No.:** **US D745,522 S**
(45) **Date of Patent:** **** Dec. 15, 2015**

(54) **TICKET SCANNER**

(71) Applicant: **VenueNext, Inc.**, Palo Alto, CA (US)

(72) Inventors: **John E. York**, Santa Clara, CA (US);
Brano Perkovich, Atherton, CA (US);
Paraag Marathe, Santa Clara, CA (US);
John Paul, Palo Alto, CA (US);
Surjansu Kundu, Santa Clara, CA (US);
Renaud Casanova, Danville, CA (US)

(73) Assignee: **VenueNext, Inc.**, Palo Alto, CA (US)

(**) Term: **14 Years**

(21) Appl. No.: **29/510,388**

(22) Filed: **Nov. 26, 2014**

Related U.S. Application Data

(63) Continuation of application No. 14/465,380, filed on Aug. 21, 2014.

(51) **LOC (10) Cl.** **14-02**

(52) **U.S. Cl.**
USPC **D14/420**

(58) **Field of Classification Search**
USPC D14/420, 426-430, 453; 235/462.01,
235/462.11, 462.43, 462.45, 462.49,
235/472.01, 385, 454; 382/313, 321, 318;
358/473; 250/215, 216; D26/37-50,
D26/24; 362/157, 158, 171-174, 183-208;
396/427

CPC G06K 7/10584; G06K 7/10613;
G06K 7/10881; G06K 7/109; G06K 7/10693;
G06K 7/10871; G06K 7/1096; G06K 7/10;
G06K 7/10564; G06K 7/10594; G06K
7/10603; G06K 7/10663; G06K 7/10673;
G06K 7/10702; G06K 7/10792; G06K
7/10633; G06K 7/10653; G06K 7/10891;
G06K 7/14; G06K 7/1443; G06K 7/10801;
G06K 7/10811; G06K 7/10851; G06K
7/10861; G06K 2207/1011; G06K 2207/1012;
G06K 2207/1013; G06K 2207/1016; G06K
2207/1017; G06K 2207/1018; G06K

2207/10534; G06K 17/0022; A47F 9/046;
A47F 9/047; G07G 1/0045; G04N 5/823238;
G04N 5/2252; G04N 5/2251; G03B 17/02;
B25H 5/00; B66F 7/28; G02B 26/10; G02B
26/106; G07F 11/002; G07F 11/02; G06Q
20/343; G06F 2203/0331

See application file for complete search history.

(56) **References Cited**

U.S. PATENT DOCUMENTS

D242,923 S * 1/1977 Dattner D25/16
D273,225 S * 3/1984 Palson D23/366

(Continued)

OTHER PUBLICATIONS

Ticket self scanner, Aug. 4, 2014. <https://thisisthecho.wordpress.com/2014/08/04/pictures-from-levis-stadium-inaugural-event-earthquakes-vs-sounders/>, one page.*

(Continued)

Primary Examiner — Susan Moon Lee

(74) *Attorney, Agent, or Firm* — Hickman Palermo Becker Bingham LLP

(57) **CLAIM**

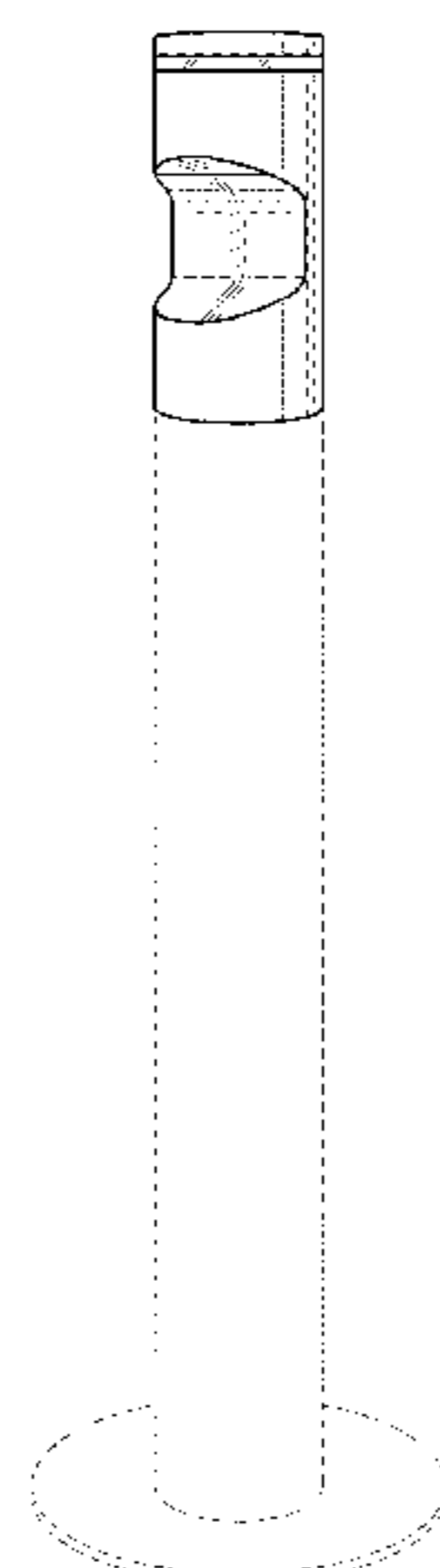
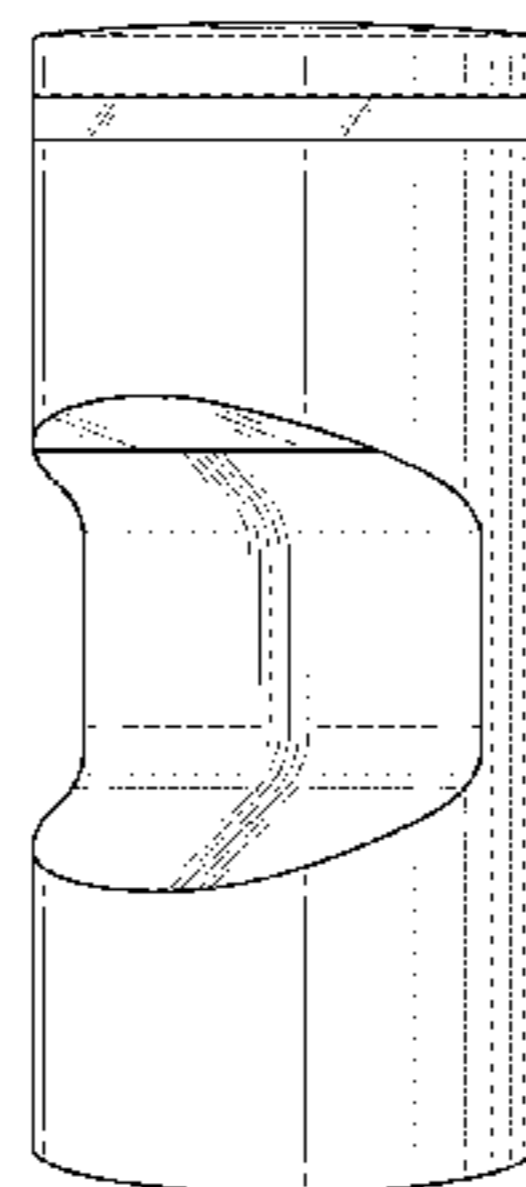
The ornamental design for a ticket scanner, as shown and described.

DESCRIPTION

FIG. 1 is a perspective view of a ticket scanner in accordance with the present design;
FIG. 2 is a left side elevation thereof;
FIG. 3 is a front elevation thereof;
FIG. 4 is a rear elevation view thereof;
FIG. 5 is a top plan thereof; and,
FIG. 6 is a perspective view thereof in which a stanchion and base are illustrated using phantom lines to indicate an example environment.

The broken lines in the figures show portions of the ticket scanner which form no part of the claimed design, or show aspects of an example environment that form no part of the claimed design.

1 Claim, 3 Drawing Sheets



(56)

References Cited

U.S. PATENT DOCUMENTS

D275,785 S * 10/1984 Kent D23/366
 D280,927 S * 10/1985 Iwasaki et al. D23/366
 4,830,791 A * 5/1989 Muderlak et al. 422/116
 4,944,047 A * 7/1990 Gagliano 4/312
 D311,956 S * 11/1990 Barnes D25/16
 D323,883 S * 2/1992 Caporale D23/366
 D338,522 S * 8/1993 Muderlak D23/366
 D345,217 S * 3/1994 Pearlson D25/16
 D357,977 S * 5/1995 Muderlak D23/366
 D363,981 S * 11/1995 Muderlak D23/366
 D372,966 S * 8/1996 Chen D23/366
 D373,266 S * 9/1996 Pellenberg et al. D14/307
 D376,353 S * 12/1996 Neilson et al. D14/420
 D387,337 S * 12/1997 Sween et al. D14/420
 D394,495 S * 5/1998 Hauser, II D23/284
 D404,478 S * 1/1999 Muderlak D23/366
 D453,512 S * 2/2002 Campagna D14/385
 D509,640 S * 9/2005 Dallman D99/28
 D530,113 S * 10/2006 Cravens et al. D14/307
 D533,178 S * 12/2006 Farnum et al. D14/385
 D544,071 S * 6/2007 Teuscher et al. D23/234
 D555,524 S * 11/2007 Jacobsen et al. D10/75
 D580,428 S * 11/2008 Giugiaro D14/307

D583,817 S * 12/2008 Satou et al. D14/383
 D589,600 S * 3/2009 Tsay et al. D23/286
 D590,788 S * 4/2009 Pozin et al. D14/127
 D632,765 S * 2/2011 Stob et al. D23/270
 D640,362 S * 6/2011 Boshuizen et al. D23/366
 D653,291 S * 1/2012 McDougall et al. D20/41
 8,381,979 B2 * 2/2013 Franz 235/435
 D700,607 S * 3/2014 Cederstrom D14/420
 D707,827 S * 6/2014 Tseng et al. D24/186
 D710,358 S * 8/2014 Park et al. D14/385
 D724,088 S * 3/2015 Giometti D14/420
 D727,529 S * 4/2015 Mulhausen et al. D25/1
 2004/0204215 A1 10/2004 Meehan et al.
 2005/0128304 A1 6/2005 Manasseh et al.
 2005/0251458 A1 11/2005 Perkowski
 2006/0180670 A1 * 8/2006 Acosta et al. 235/462.31
 2007/0135205 A1 6/2007 Houle et al.
 2008/0318671 A1 12/2008 Rowe et al.
 2011/0233274 A1 9/2011 Flanagan et al.
 2013/0332509 A1 12/2013 Schwarts et al.
 2015/0053757 A1 2/2015 Williams et al.

OTHER PUBLICATIONS

U.S. Appl. No. 14/465,380, filed Aug. 21, 2014, Notice of Allowance.

* cited by examiner

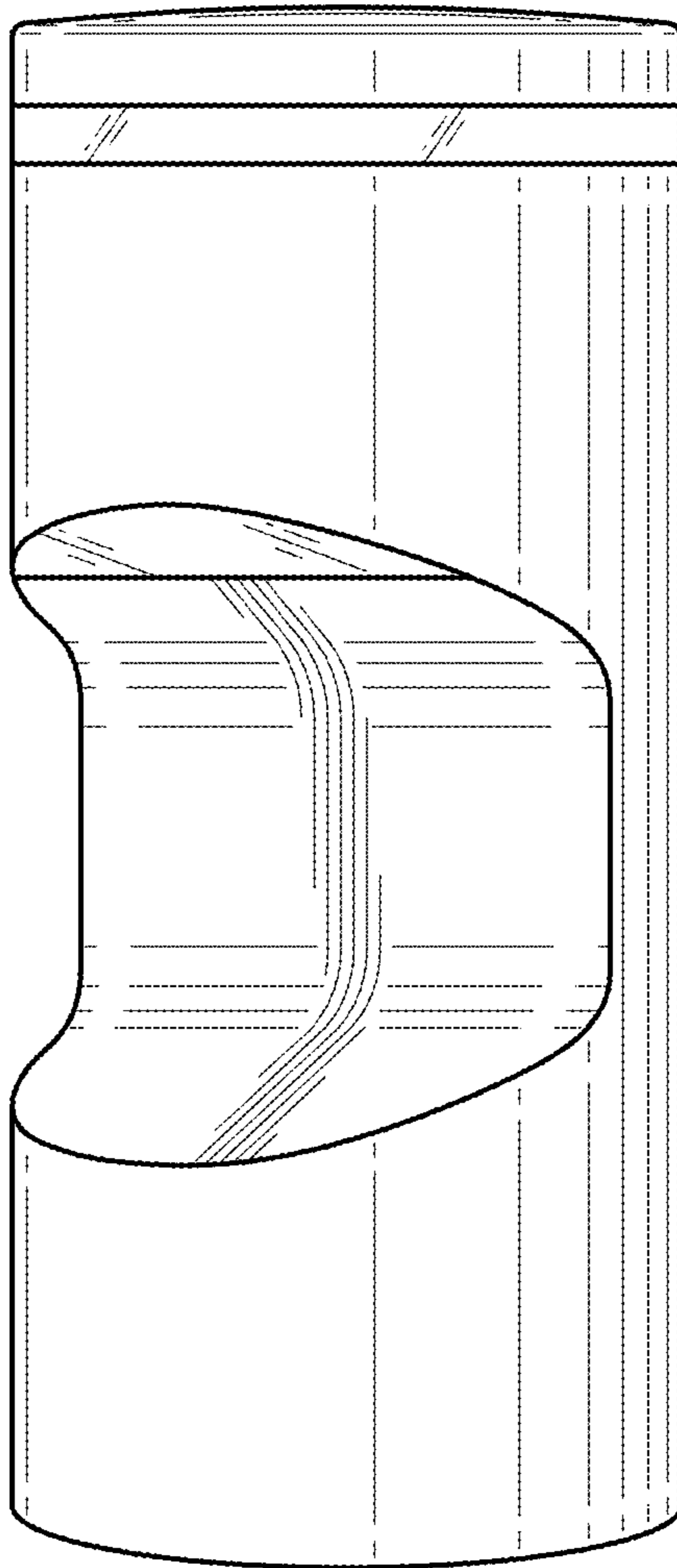


FIG. 1

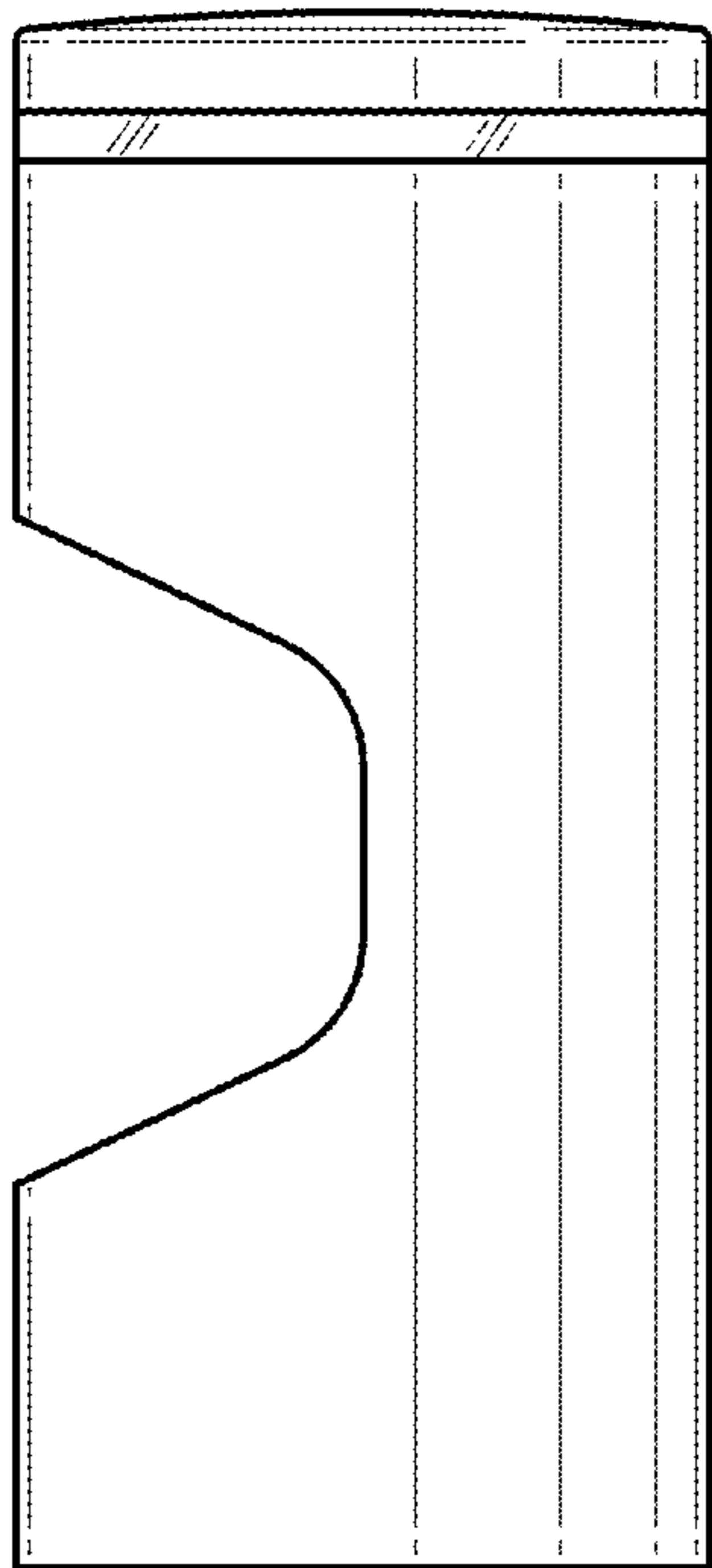


FIG. 2

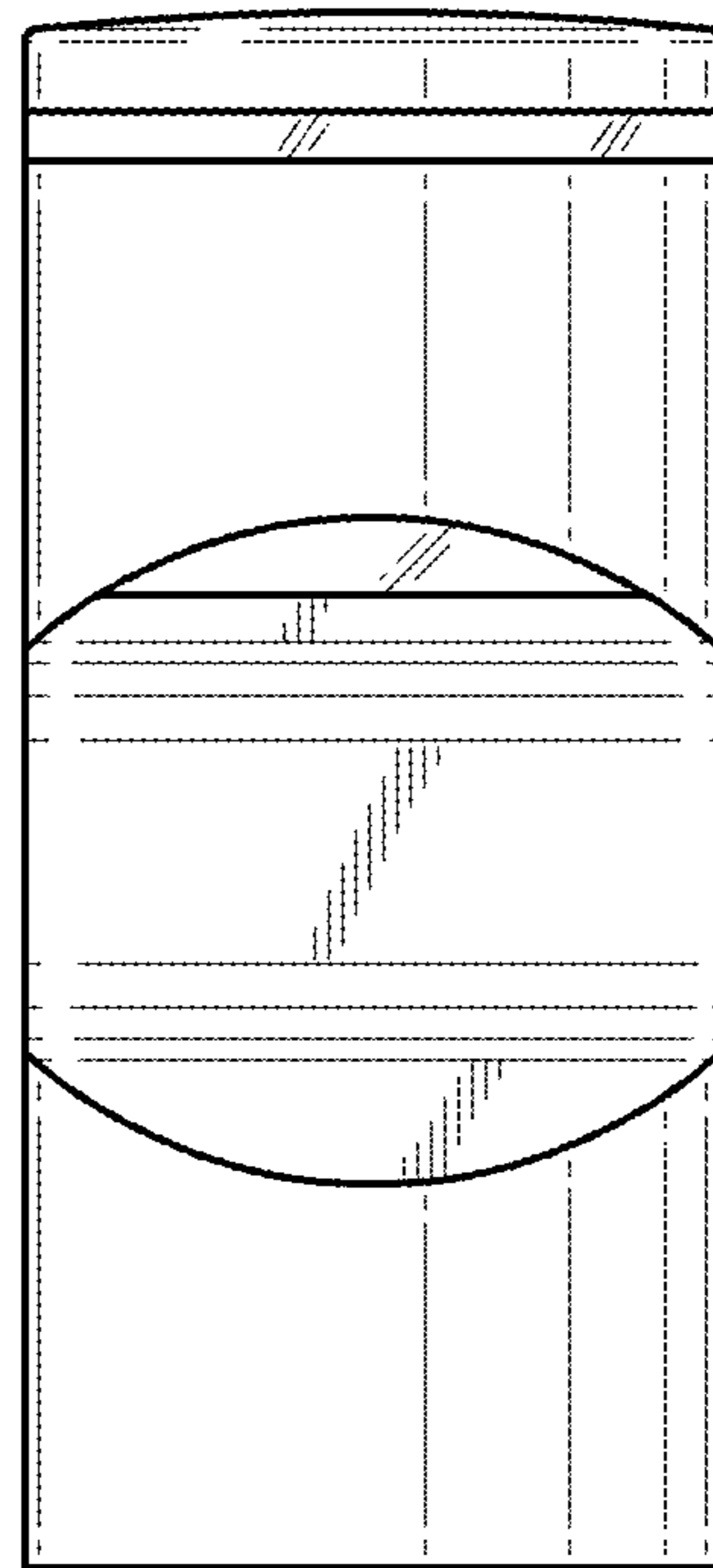


FIG. 3

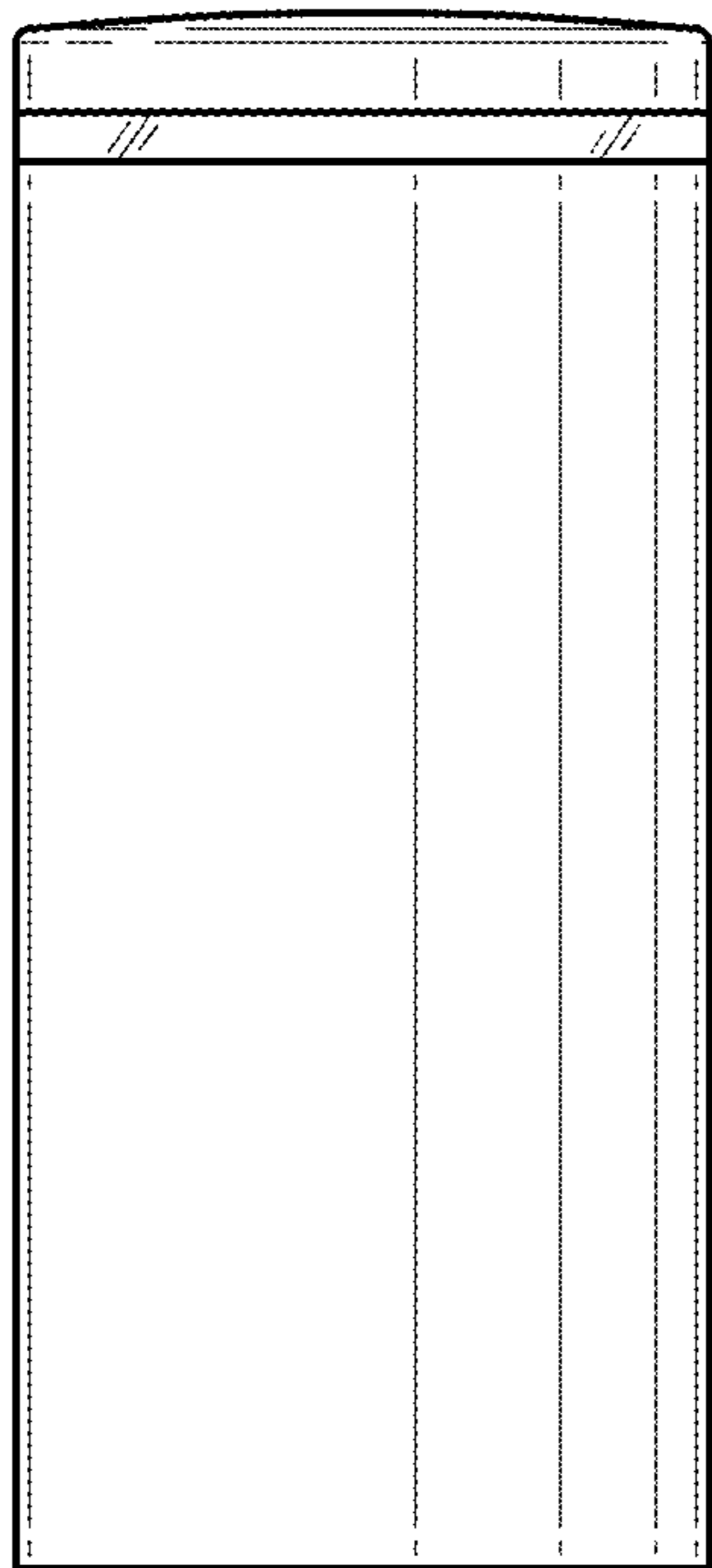


FIG. 4

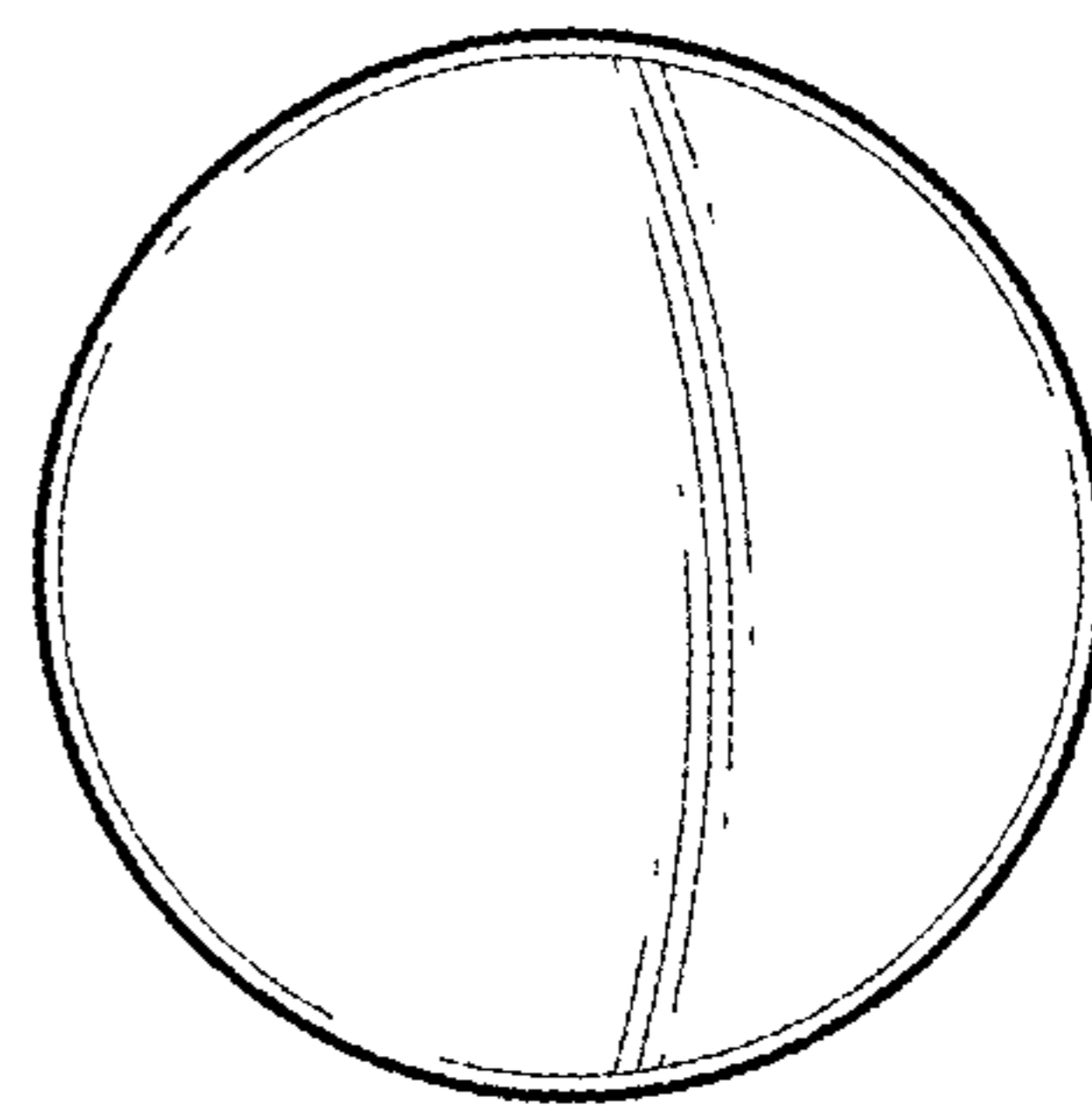


FIG. 5

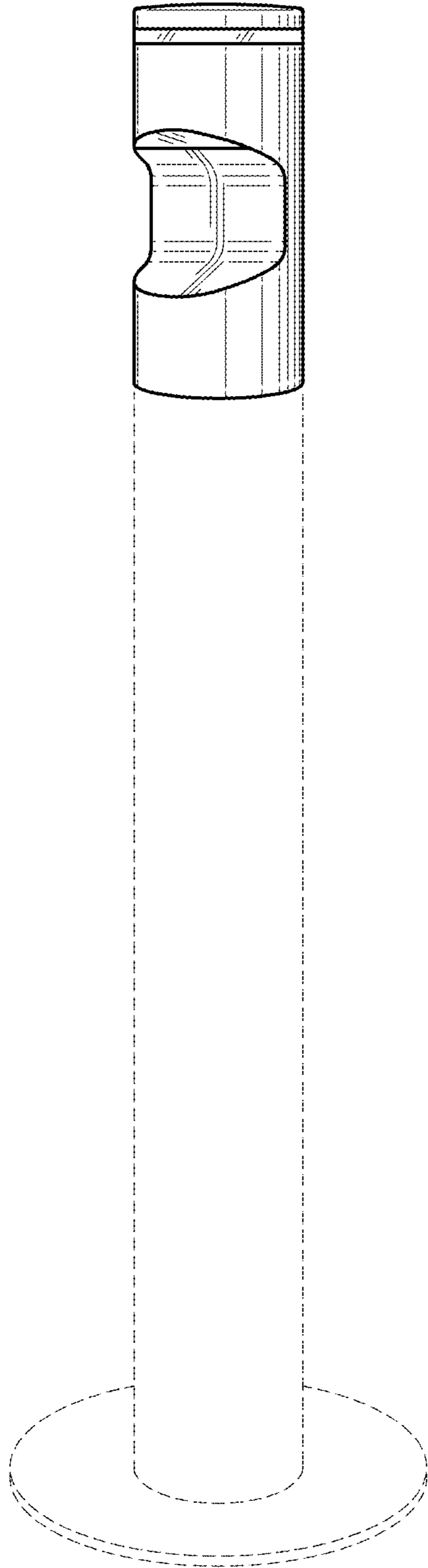


FIG. 6