



US00D745519S

(12) **United States Design Patent**
Cho et al.

(10) **Patent No.:** **US D745,519 S**
(45) **Date of Patent:** **** Dec. 15, 2015**

(54) **MONITOR FOR COMPUTER**

(71) Applicant: **Samsung Electronics Co., Ltd.**,
Suwon-si, Gyeonggi-do (KR)
(72) Inventors: **Chulyong Cho**, Seoul (KR); **Min Hee Lee**, Seoul (KR); **Min Joon Jung**, Seoul (KR); **Kyoung Hoon Kim**, Seongnam-si (KR)
(73) Assignee: **SAMSUNG ELECTRONICS CO., LTD.** (KR)

(**) Term: **14 Years**

(21) Appl. No.: **29/499,030**

(22) Filed: **Aug. 11, 2014**

(30) **Foreign Application Priority Data**

Feb. 13, 2014 (KR) 30-2014-0007375

(51) **LOC (10) Cl.** **14-02**

(52) **U.S. Cl.**
USPC **D14/375**

(58) **Field of Classification Search**
USPC D14/371-375, 125-129, 336, 337, 341;
341/12; 345/104, 156, 168, 173;
348/180, 184, 325, 739; 349/1, 2, 11,
349/62; 361/679.05-679.07, 679.21;
D6/300, 308
CPC G06F 1/16; G06F 1/1601; G06F 3/037;
G06F 1/162

See application file for complete search history.

(56) **References Cited**

U.S. PATENT DOCUMENTS

D388,077	S	*	12/1997	Starck	D14/126
D453,333	S	*	2/2002	Chen	D14/374
D538,800	S	*	3/2007	Zhang et al.	D14/331
D624,513	S	*	9/2010	Mitsubishi	D14/126
D661,303	S	*	6/2012	Fukasawa	D14/371
D689,033	S	*	9/2013	Hwangbo et al.	D14/126
2014/0009914	A1	*	1/2014	Cho et al.	362/97.3

* cited by examiner

Primary Examiner — Freda S Nunn

(74) *Attorney, Agent, or Firm* — Cantor Colburn LLP

(57) **CLAIM**

We claim, the ornamental design for a monitor for computer, as shown and described.

DESCRIPTION

FIG. 1 is a front perspective view of a monitor for computer showing our new design;
FIG. 2 is a front view thereof;
FIG. 3 is a rear view thereof;
FIG. 4 is a side view thereof;
FIG. 5 is another side view thereof;
FIG. 6 is the top plan view thereof;
FIG. 7 is the bottom plan view thereof;
FIG. 8 is the rear perspective view thereof; and,
FIG. 9 is another side view thereof, as shown in an alternate configuration.

The broken lines are for environmental purposes only and form no part of the claimed design.

1 Claim, 9 Drawing Sheets

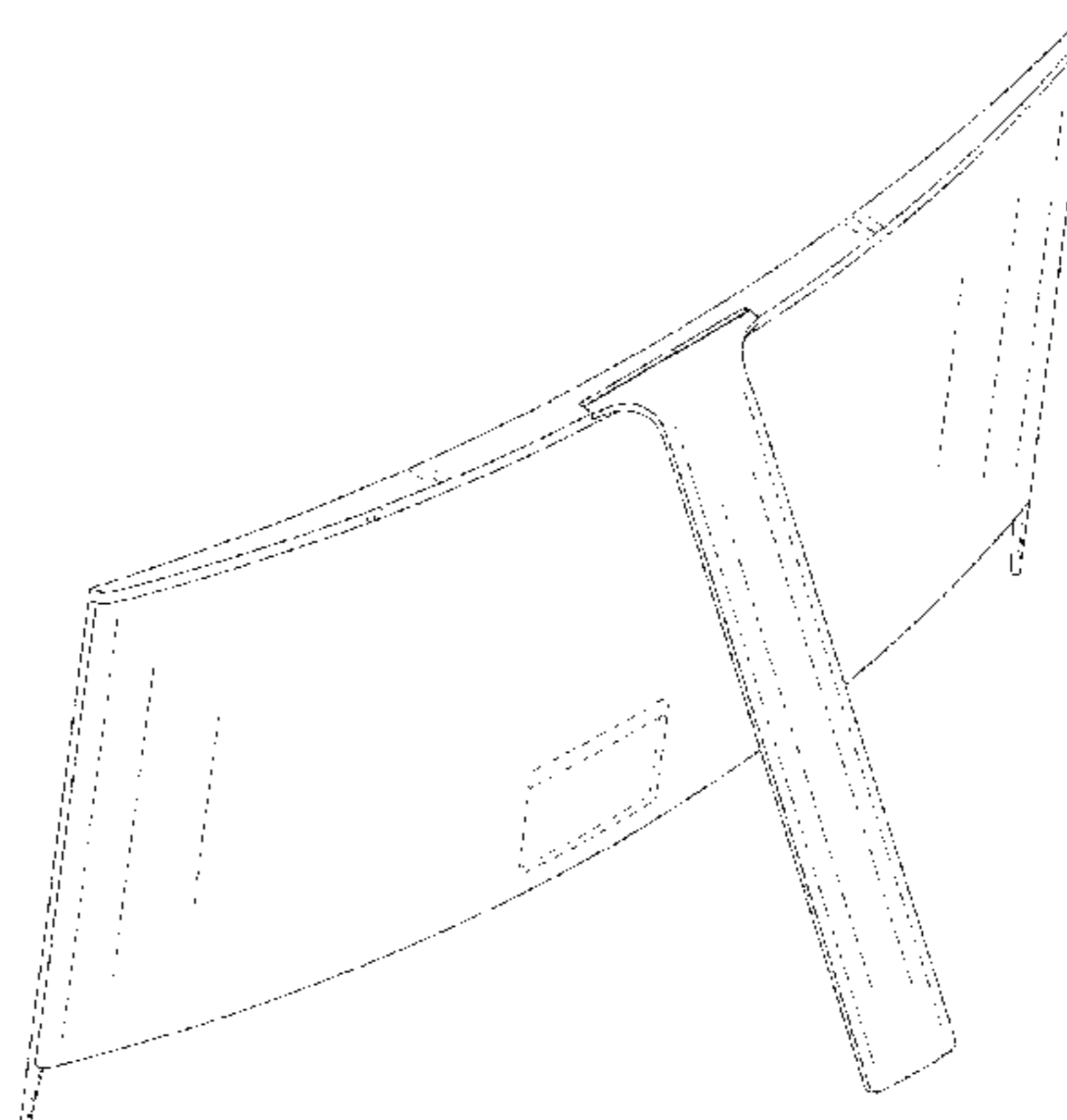
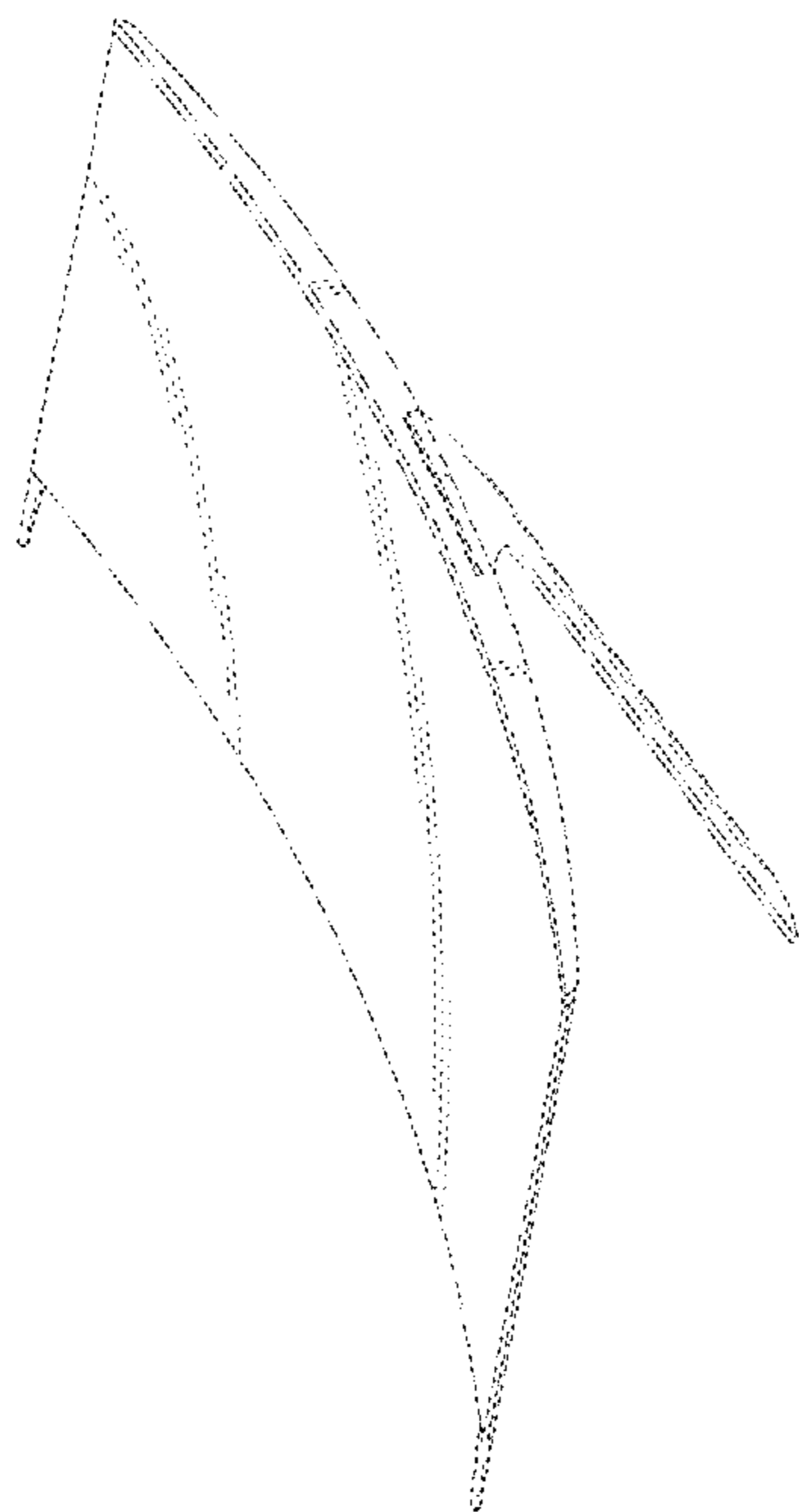


Fig. 1



Fig. 2

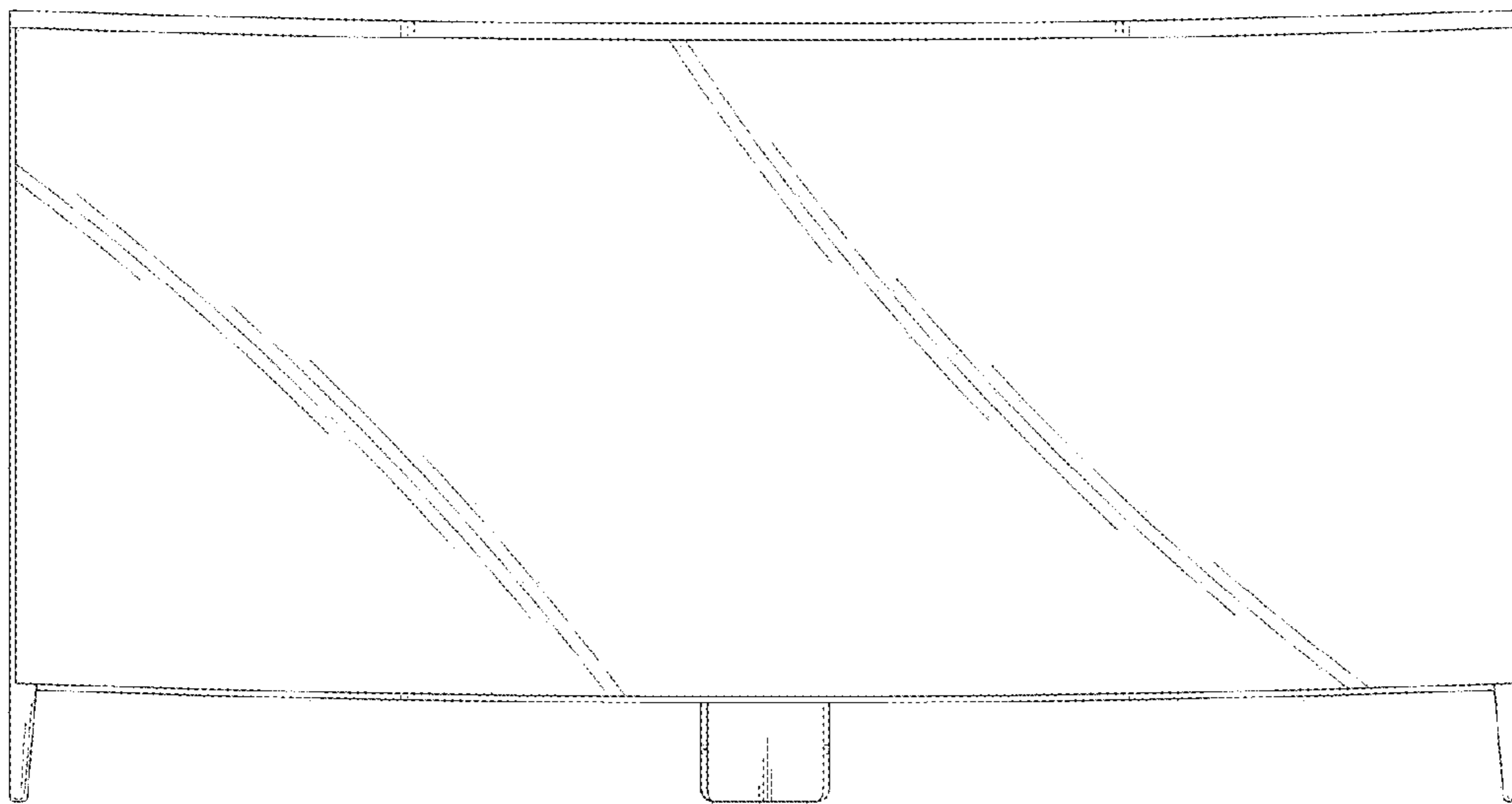


Fig. 3

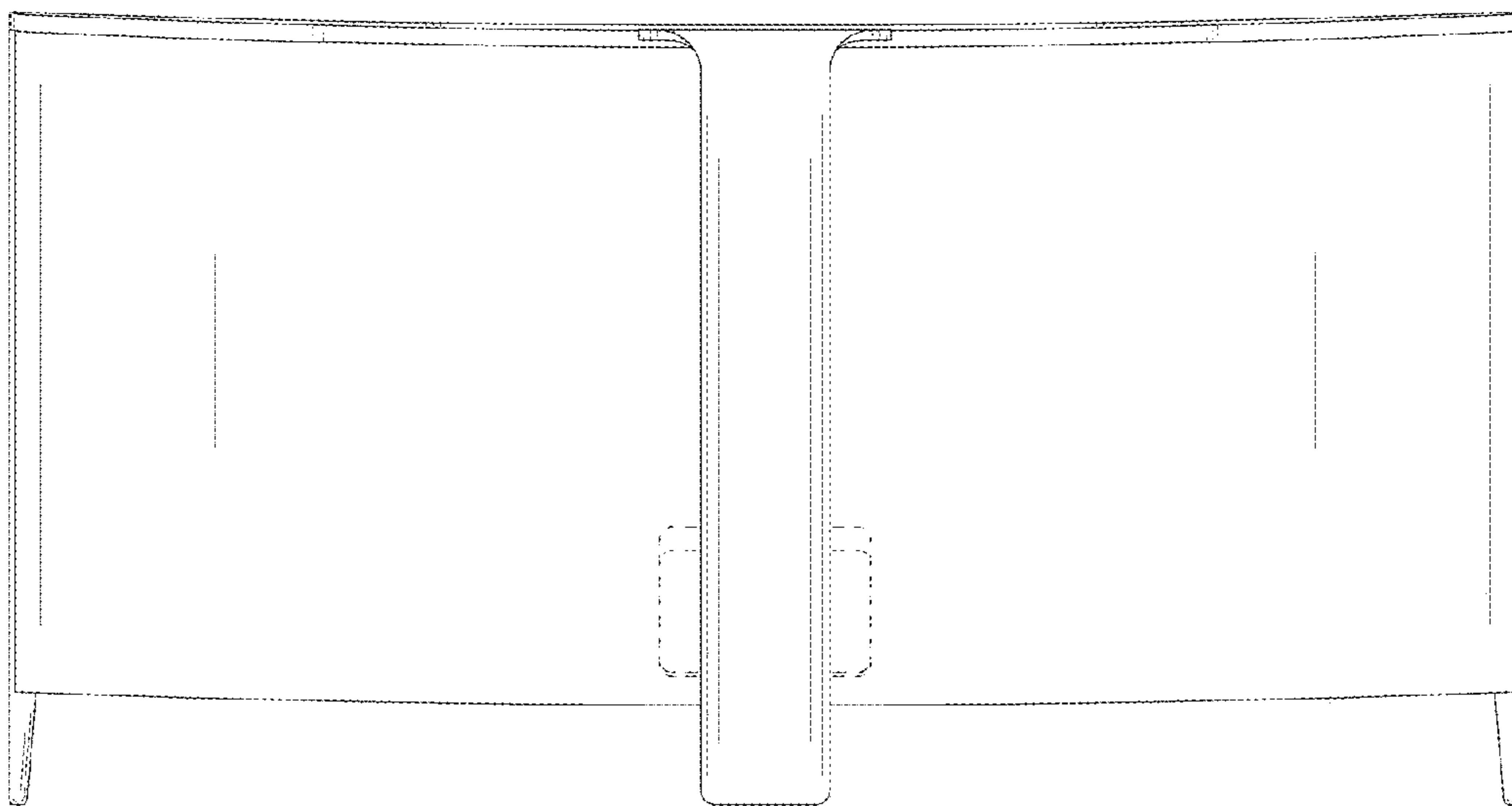


Fig. 4

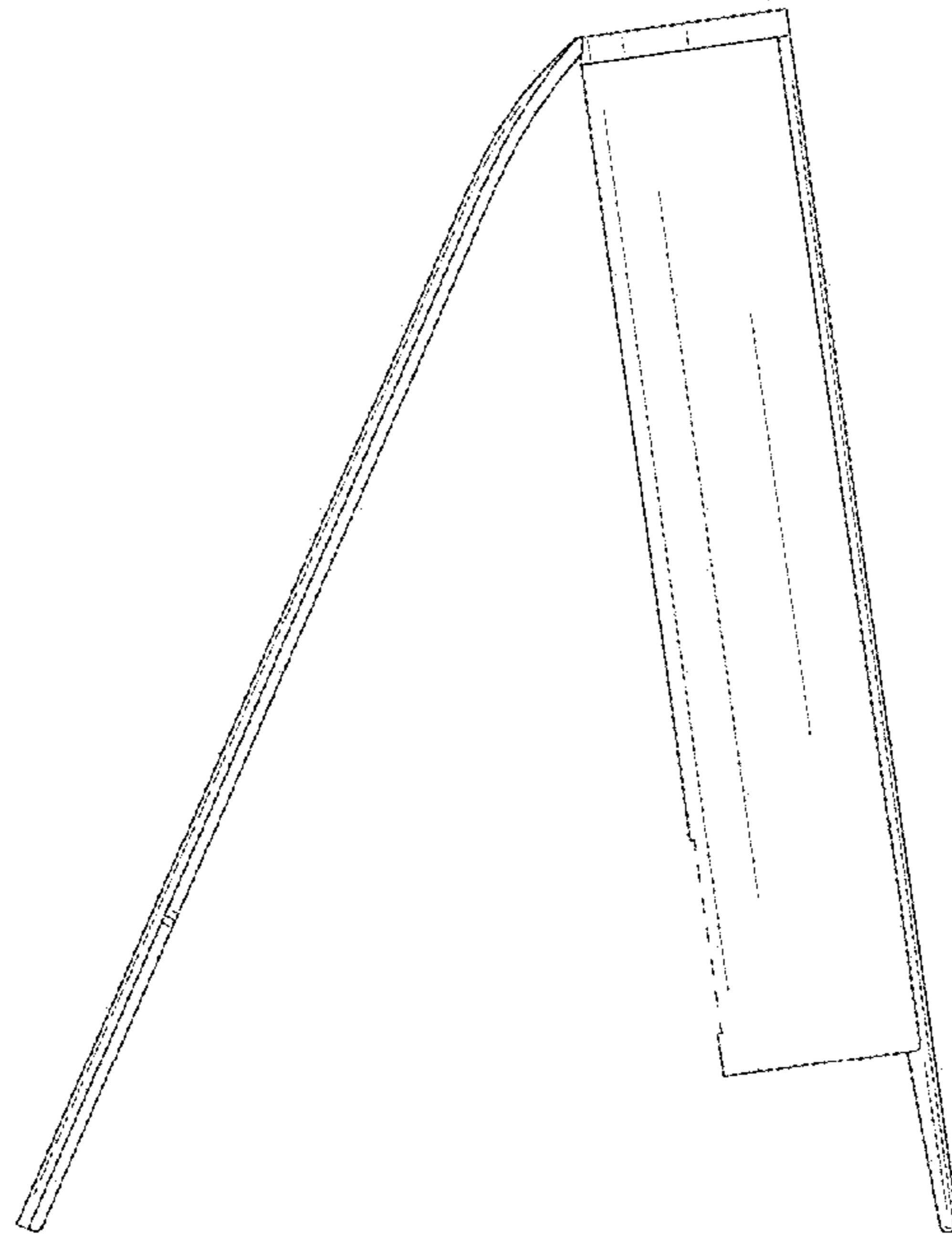


Fig. 5

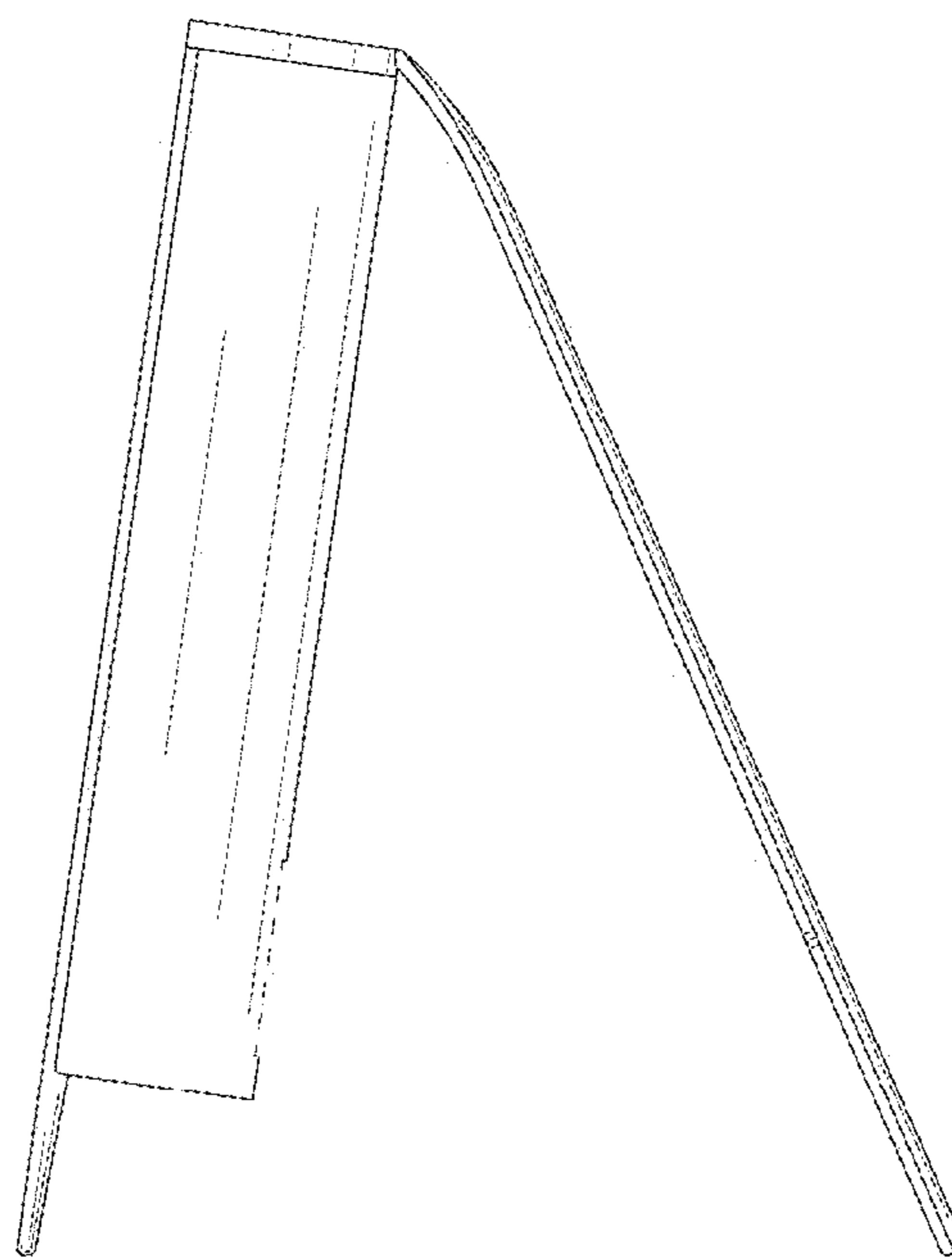


Fig. 6

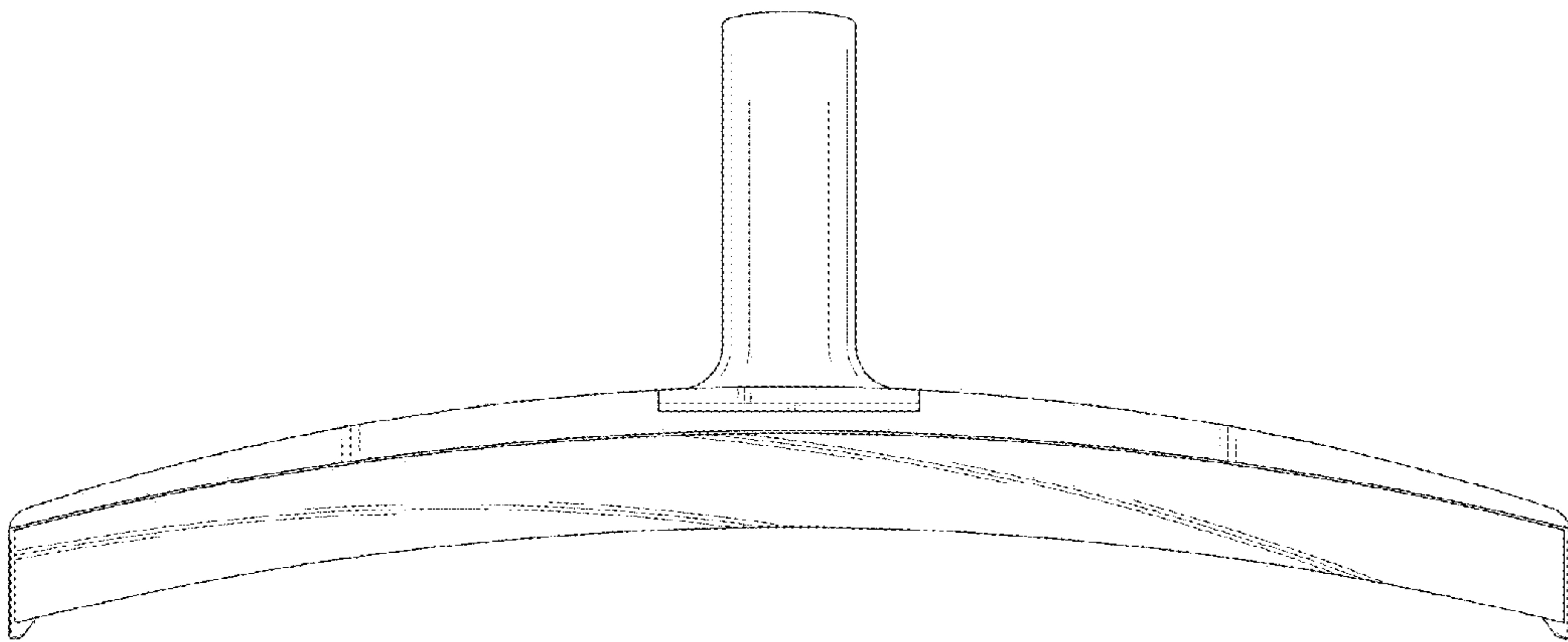


Fig. 7

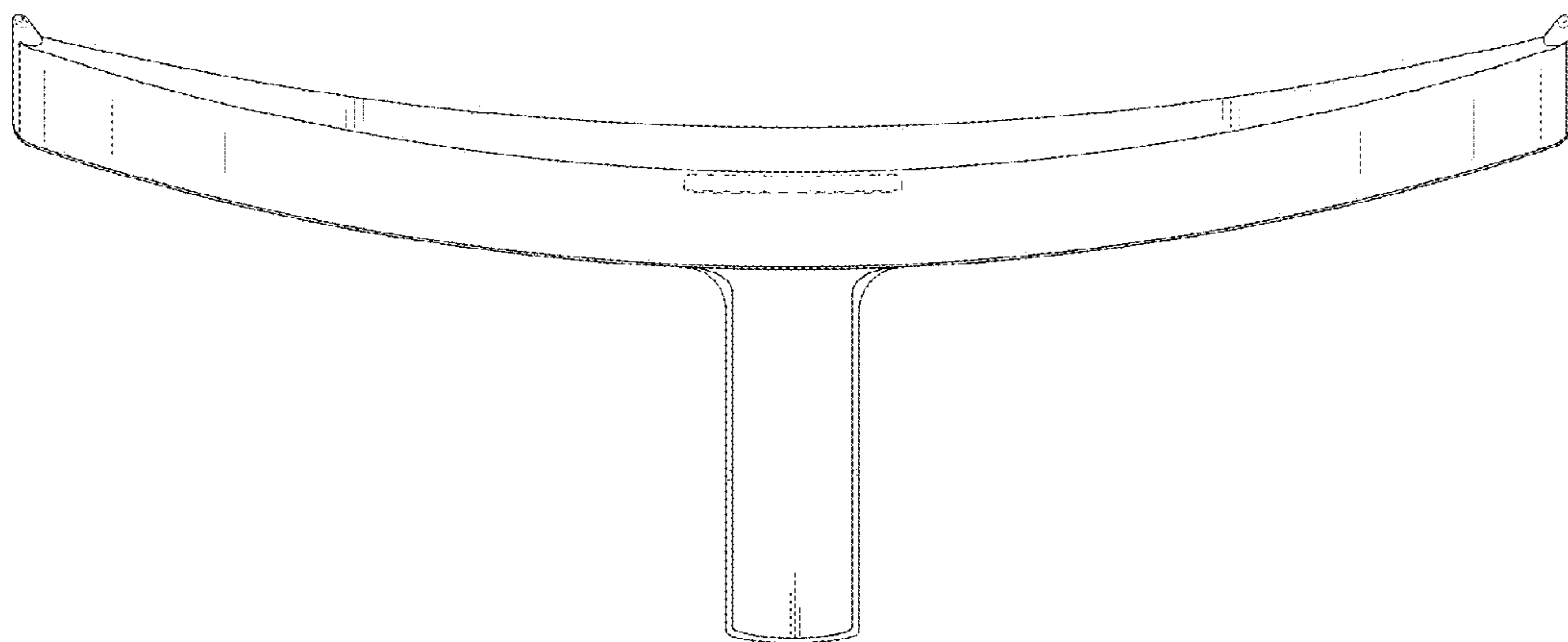


Fig. 8

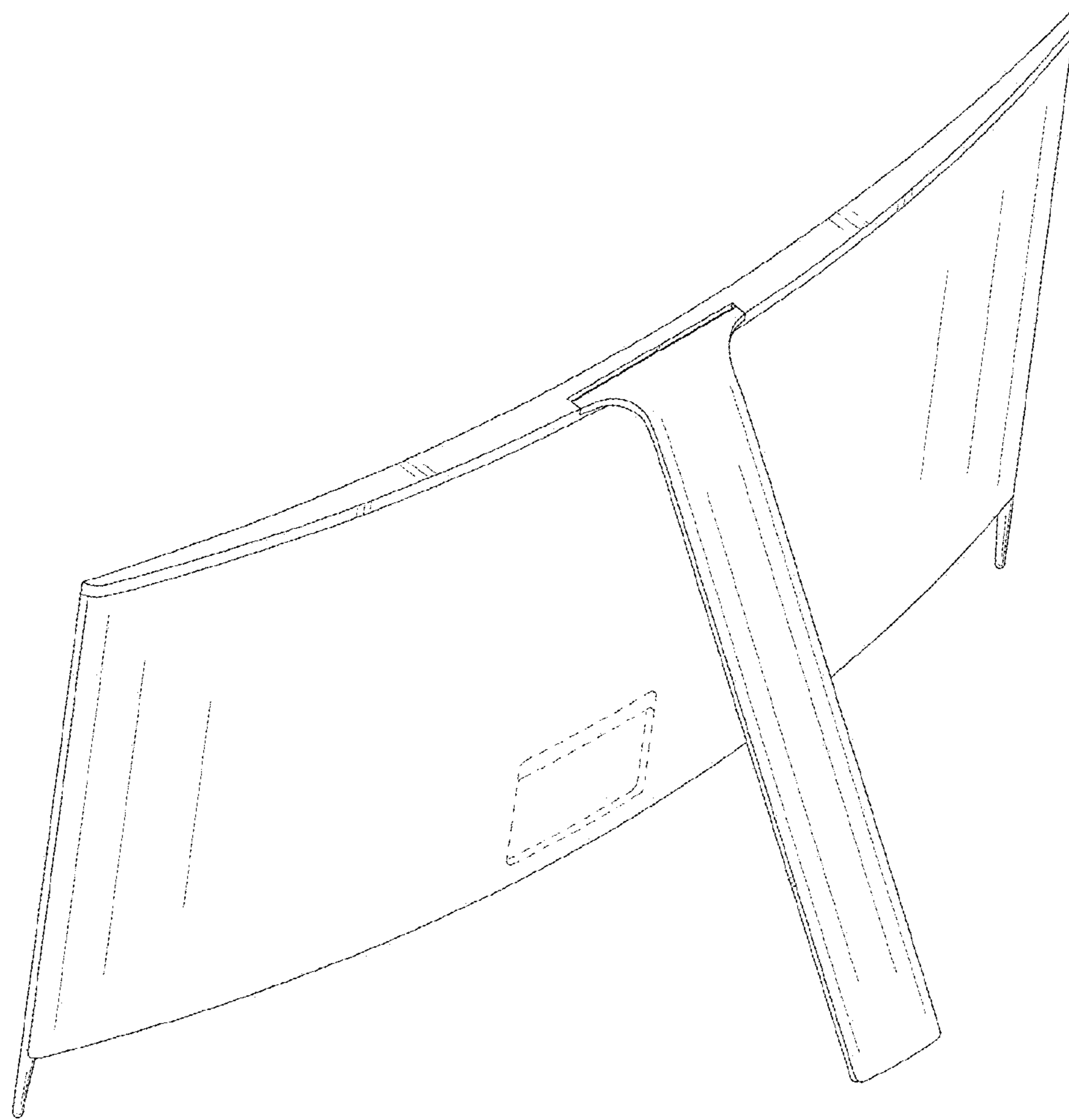


Fig. 9

