



US00D745518S

(12) **United States Design Patent**
Cho et al.

(10) **Patent No.:** **US D745,518 S**
(45) **Date of Patent:** **** Dec. 15, 2015**

(54) **MONITOR FOR COMPUTER**

(56) **References Cited**

(71) Applicant: **Samsung Electronics Co., Ltd.**,
Suwon-si (KR)
(72) Inventors: **Chulyong Cho**, Seoul (KR); **Min Hee Lee**, Seoul (KR); **Min Joon Jung**, Seoul (KR); **Kyoung Hoon Kim**, Seongnam-si (KR)

U.S. PATENT DOCUMENTS

| | | | | | | |
|--------------|----|---|---------|----------------|-------|----------|
| D388,077 | S | * | 12/1997 | Starck | | D14/126 |
| D453,333 | S | * | 2/2002 | Chen | | D14/374 |
| D615,542 | S | * | 5/2010 | Oikawa et al. | | D14/374 |
| D624,513 | S | * | 9/2010 | Mitsubishi | | D14/126 |
| D667,008 | S | * | 9/2012 | Oikawa et al. | | D14/374 |
| D689,033 | S | * | 9/2013 | Hwangbo et al. | | D14/126 |
| 2014/0009914 | A1 | * | 1/2014 | Cho et al. | | 362/97.3 |

(73) Assignee: **SAMSUNG ELECTRONICS CO., LTD.** (KR)

* cited by examiner

(**) Term: **14 Years**

Primary Examiner — Freda S Nunn

(21) Appl. No.: **29/498,756**

(74) *Attorney, Agent, or Firm* — Cantor Colburn LLP

(22) Filed: **Aug. 7, 2014**

(57) **CLAIM**

We claim, the ornamental design for a monitor for computer, as shown and described.

(30) **Foreign Application Priority Data**

DESCRIPTION

Feb. 13, 2014 (KR) 30-2014-0007374

FIG. 1 is a front perspective view of a monitor for computer showing our new design;
FIG. 2 is a front view thereof;
FIG. 3 is a rear view thereof;
FIG. 4 is a side view thereof;
FIG. 5 is another side view thereof;
FIG. 6 is the top plan view thereof;
FIG. 7 is the bottom plan view thereof; and,
FIG. 8 is the rear perspective view thereof.
The broken lines are for environmental purposes only and form no part of the claimed design.
The dot dash lines in the figures represent an unclaimed boundary line and form no part of the claimed design.

(51) **LOC (10) Cl.** **14-02**

(52) **U.S. Cl.**
USPC **D14/375**

(58) **Field of Classification Search**
USPC D14/371-375, 125-129, 336, 337, 341;
341/12; 345/104, 156, 168, 173;
348/180, 184, 325, 739; 349/1, 2, 11,
349/62; 361/679.05-679.07, 679.21;
D6/300, 308
CPC G06F 1/16; G06F 1/1601; G06F 3/037;
G06F 1/162

See application file for complete search history.

1 Claim, 8 Drawing Sheets

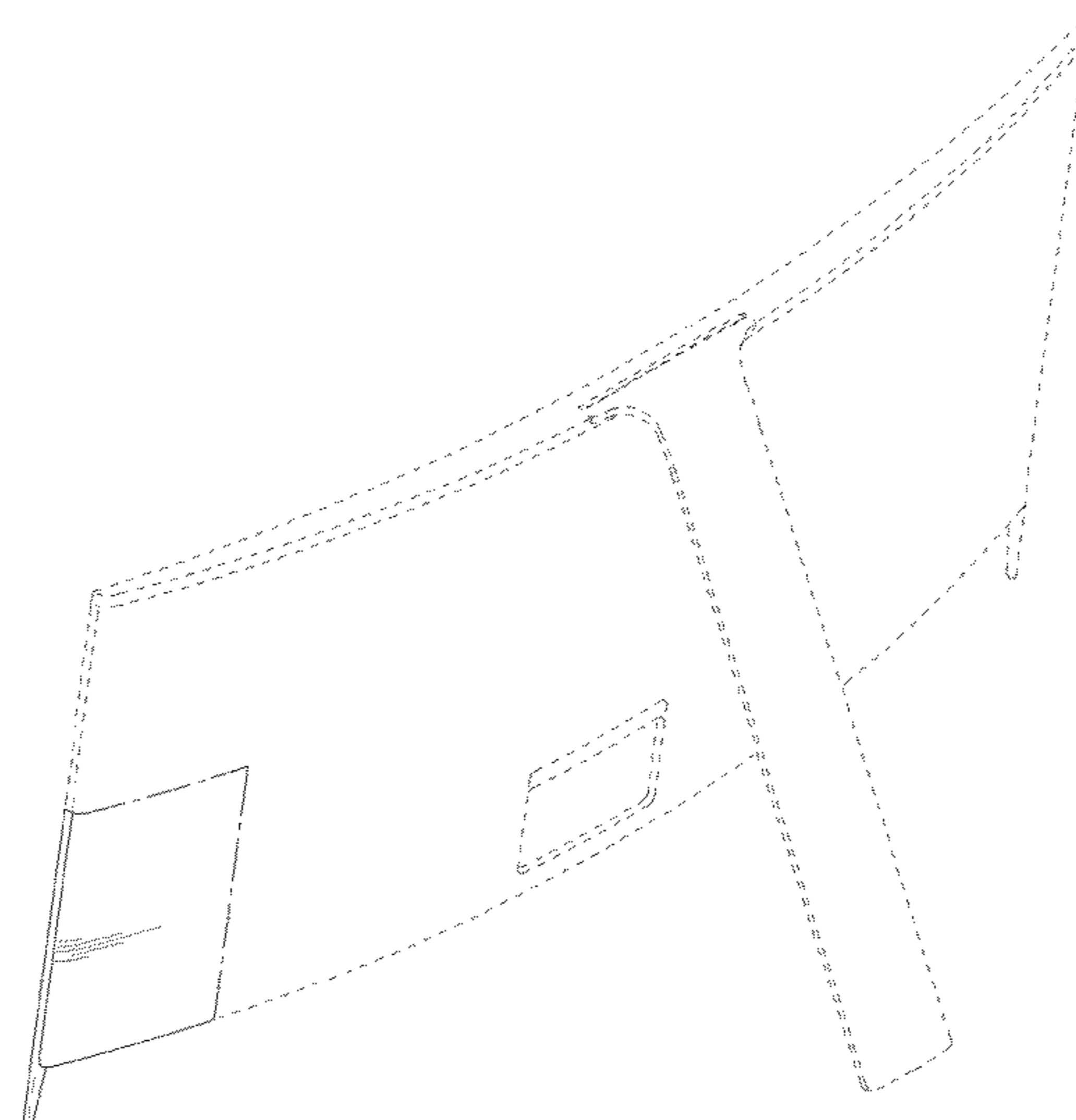
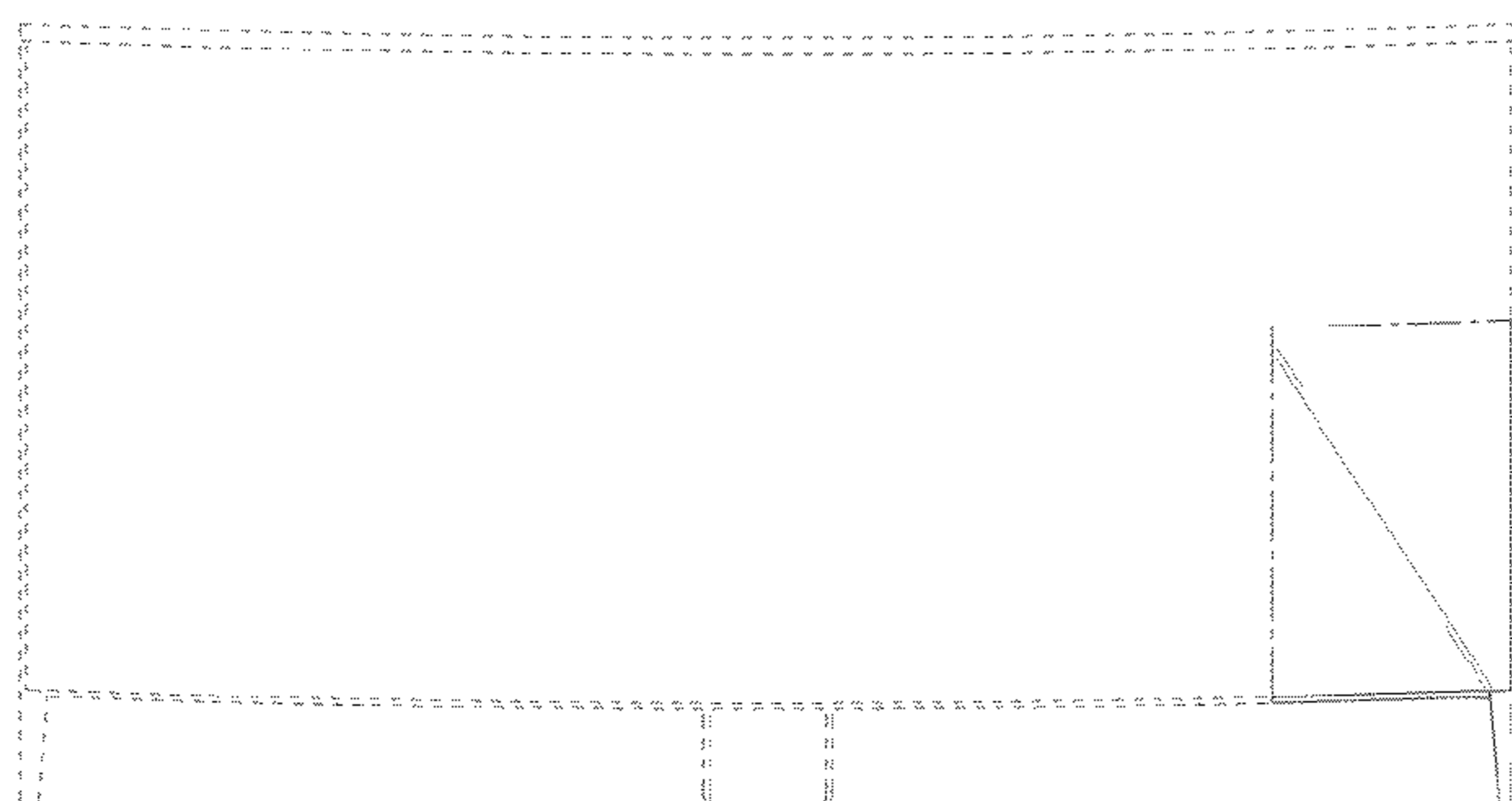


Fig. 1



Fig. 2



Fig. 3

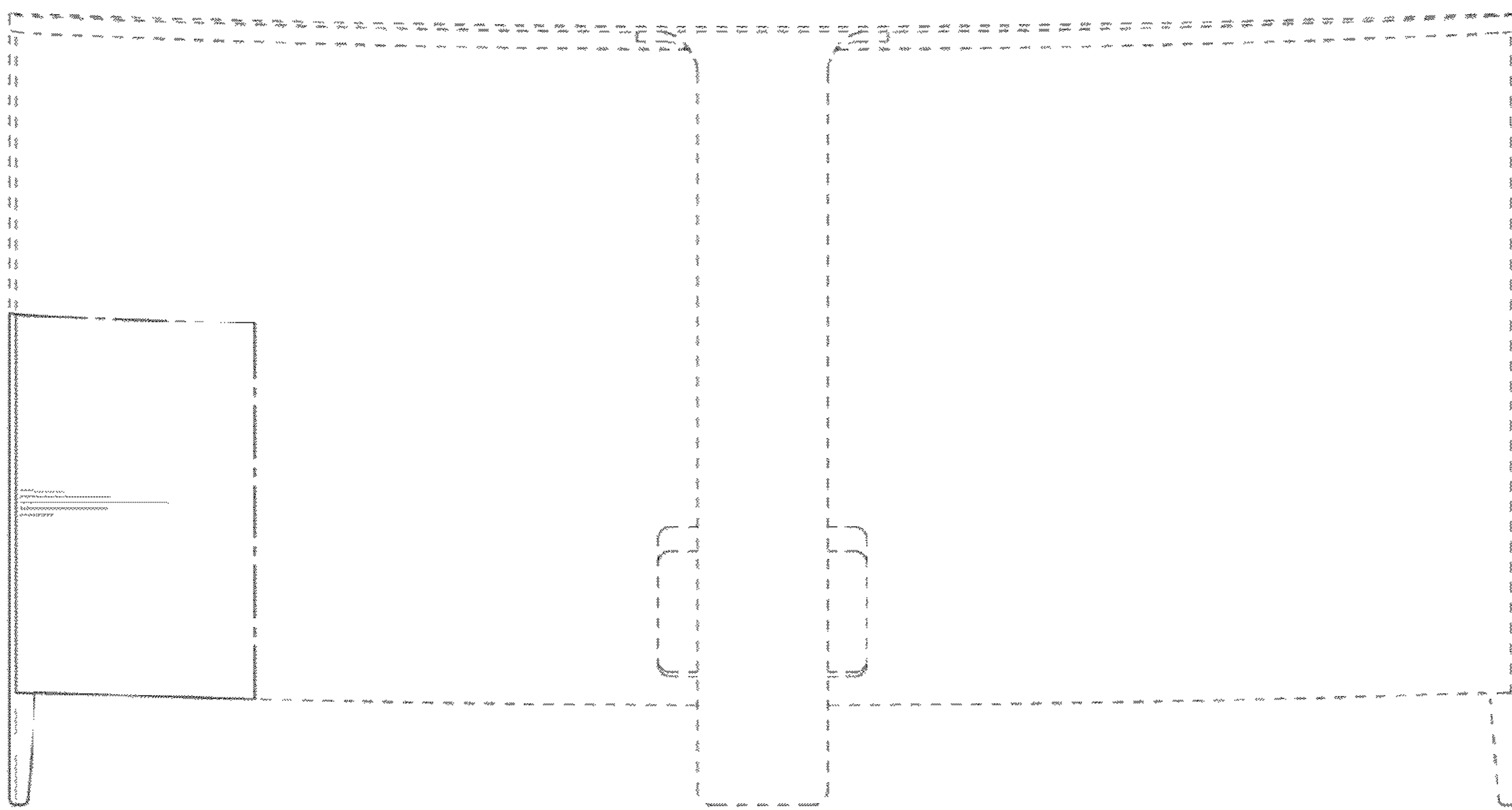


Fig. 4

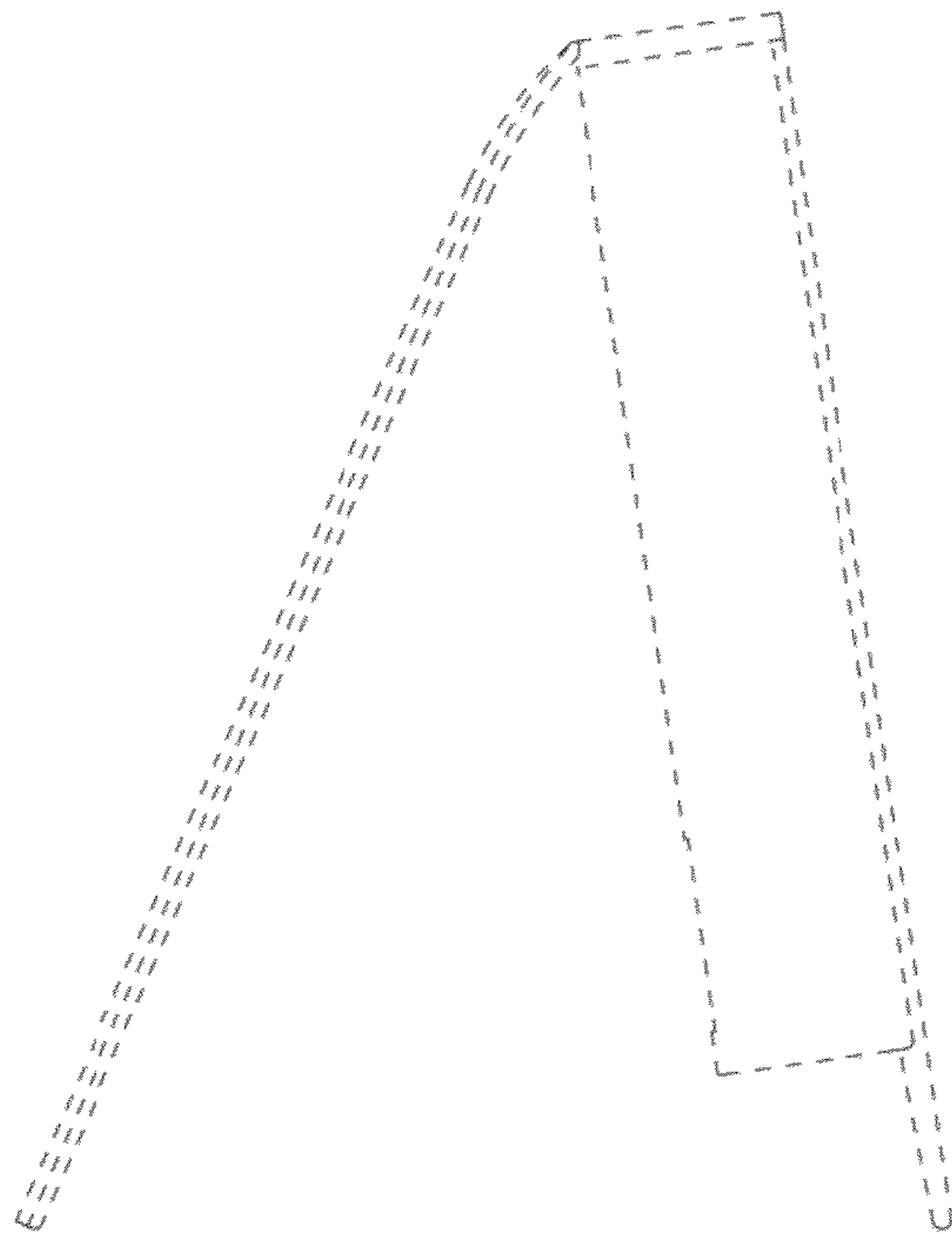


Fig. 5

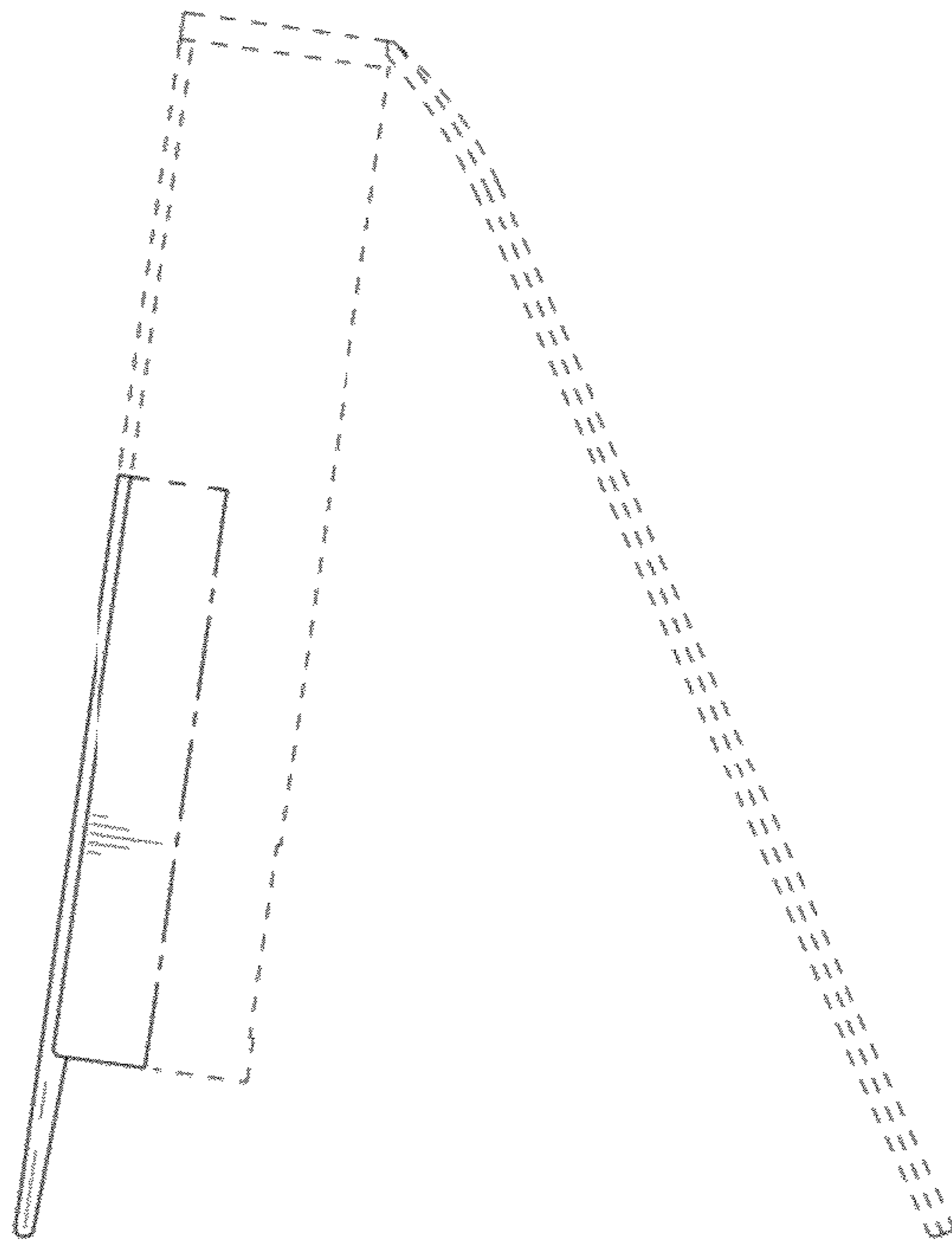


Fig. 6

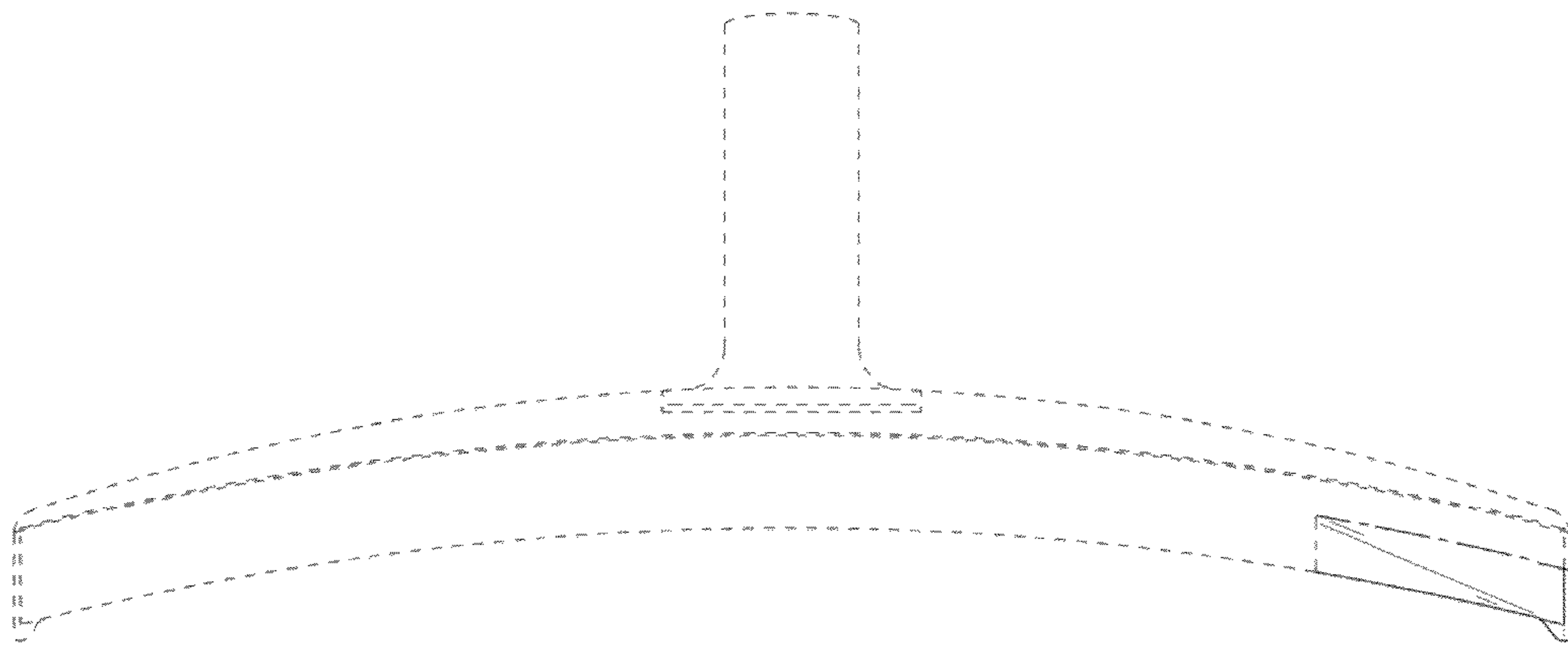


Fig. 7

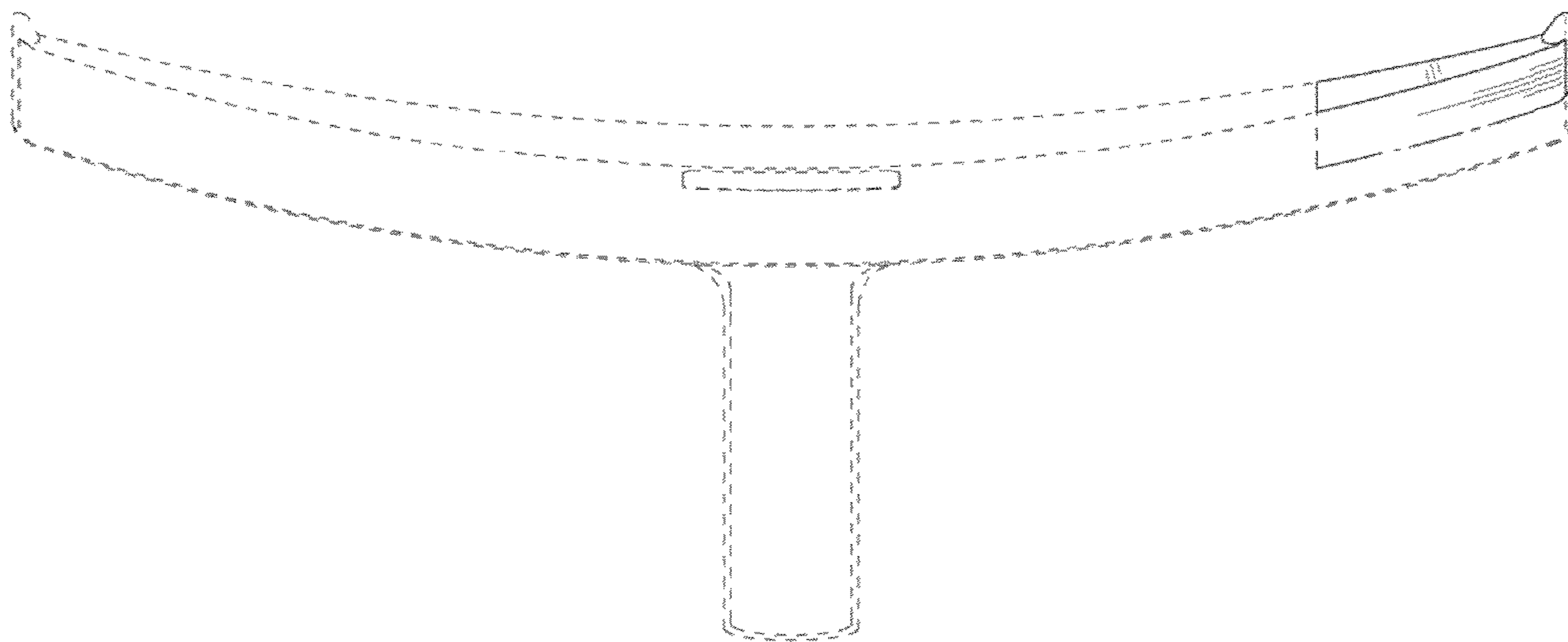


Fig. 8

