



US00D745510S

(12) **United States Design Patent**
Lee

(10) **Patent No.:** **US D745,510 S**
(45) **Date of Patent:** **** Dec. 15, 2015**

(54) **ELECTRONIC DEVICE**

(71) Applicant: **Samsung Electronics Co., Ltd.**,
Suwon-si (KR)

(72) Inventor: **Jin-Hoo Lee**, Seoul (KR)

(73) Assignee: **Samsung Electronics Co., Ltd.**,
Suwon-si (KR)

(**) Term: **14 Years**

(21) Appl. No.: **29/478,190**

(22) Filed: **Jan. 2, 2014**

(51) **LOC (10) Cl.** **14-02**

(52) **U.S. Cl.**
USPC **D14/341**

(58) **Field of Classification Search**
USPC D14/341–347, 137, 138 R, 138 AA,
D14/138 C, 138 G, 496, 203.1, 203.3, 203.4,
D14/203.7, 129, 130, 147, 218, 247, 248,
D14/250, 374, 371, 385, 388, 389, 315–318,
D14/420, 426, 439; D6/308, 310; D10/65,
D10/104.1; D19/26, 59, 60; D21/324, 329,
D21/330, 332; 248/917–924; 463/37;
455/556.1, 556.2, 566, 575.1, 90.3;
379/433.04, 433.01, 433.06, 916;
345/173, 901, 905; 348/376;
361/679.21, 679.26, 679.27, 679.3,
361/679.55, 679.56, 679.59
CPC H04M 1/0202; H04M 1/0279; H04M
1/0281; H04M 1/0283; H04M 1/0214; H04M
1/0264; H04M 1/72544; H04M 1/72552;
G06F 1/1613; G06F 1/1624; G06F 1/1626;
G06F 1/165; G06F 3/0485; G06F 3/0488
See application file for complete search history.

(56) **References Cited**

U.S. PATENT DOCUMENTS

D504,889 S * 5/2005 Andre et al. D14/341
D664,954 S * 8/2012 Kim et al. D14/341
D667,399 S * 9/2012 Koh D14/341

D681,032 S * 4/2013 Akana et al. D14/341
D687,823 S * 8/2013 Ryu et al. D14/341
D689,481 S * 9/2013 Song et al. D14/341
D689,482 S * 9/2013 Akana et al. D14/341
D691,996 S * 10/2013 Ohshima D14/341
D693,340 S * 11/2013 Ohshima D14/341
D696,250 S * 12/2013 Wang et al. D14/341
D696,662 S * 12/2013 Song et al. D14/341
D698,785 S * 2/2014 Canizares et al. D14/341
D702,229 S * 4/2014 Lim et al. D14/341
D705,779 S * 5/2014 Akana et al. D14/341
D706,774 S * 6/2014 Park et al. D14/341
D716,293 S * 10/2014 Hwang et al. D14/341
D716,799 S * 11/2014 Green et al. D14/341
D718,303 S * 11/2014 Choteau et al. D14/341
D720,745 S * 1/2015 Yeo et al. D14/341
D720,746 S * 1/2015 Chung D14/341
D723,547 S * 3/2015 Zhou D14/341
D725,651 S * 3/2015 Green et al. D14/341
D727,315 S * 4/2015 Jensen et al. D14/341
D728,560 S * 5/2015 Seoc D14/341
D728,561 S * 5/2015 Park et al. D14/341
D733,128 S * 6/2015 Seoc D14/341

* cited by examiner

Primary Examiner — Eric Goodman

Assistant Examiner — Clese Moore, Jr.

(74) *Attorney, Agent, or Firm* — NSIP Law

(57) **CLAIM**

The ornamental design for an electronic device, as shown and described.

DESCRIPTION

FIG. 1 is a front perspective view of an electronic device showing my new design;
FIG. 2 is a front view thereof;
FIG. 3 is a rear view thereof;
FIG. 4 is a left-side view thereof;
FIG. 5 is a right-side view thereof;
FIG. 6 is a top view thereof; and,
FIG. 7 is a bottom view thereof.
The broken lines shown illustrate portions of the electronic device that form no part of the claimed design.

1 Claim, 5 Drawing Sheets

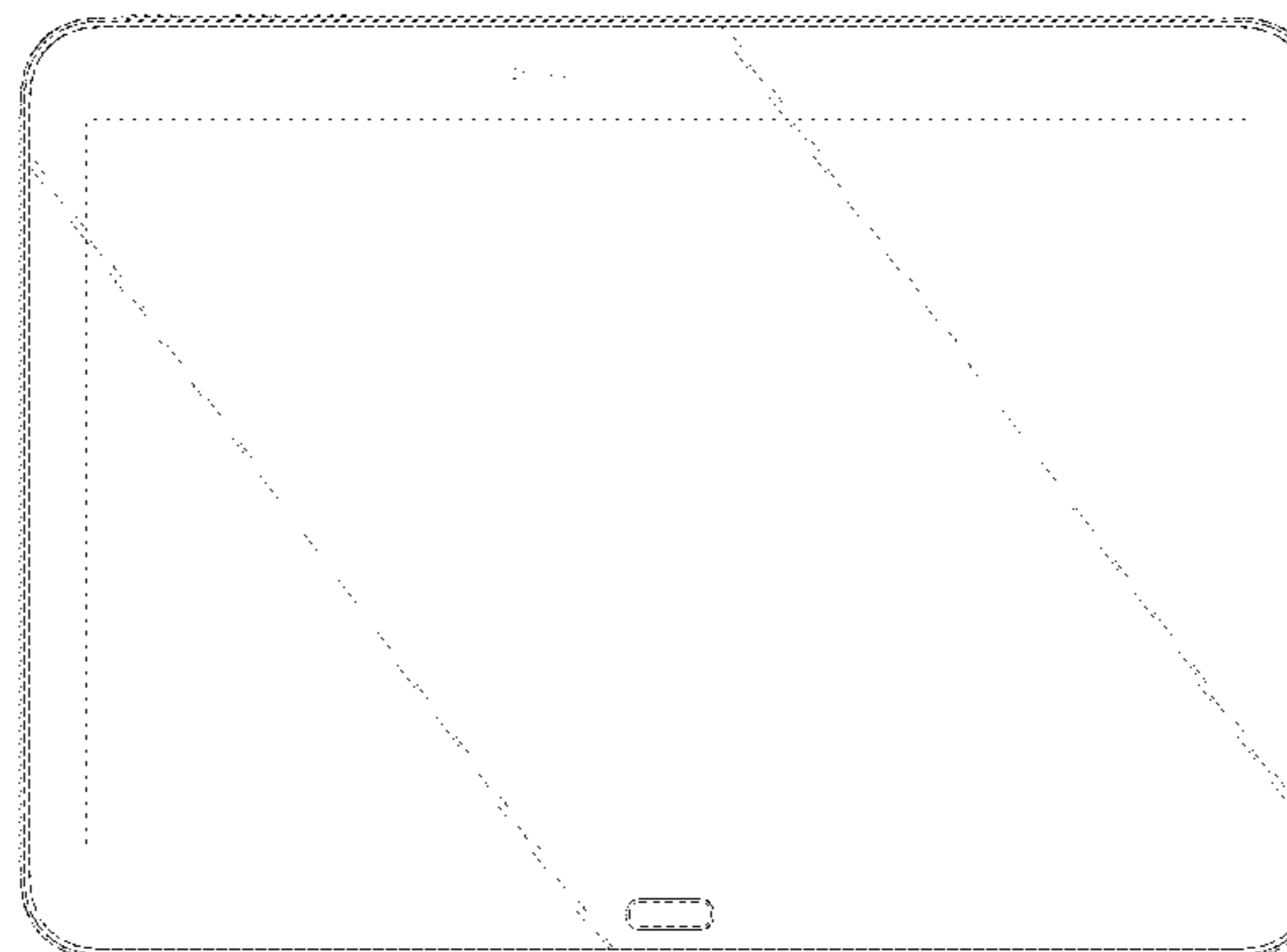
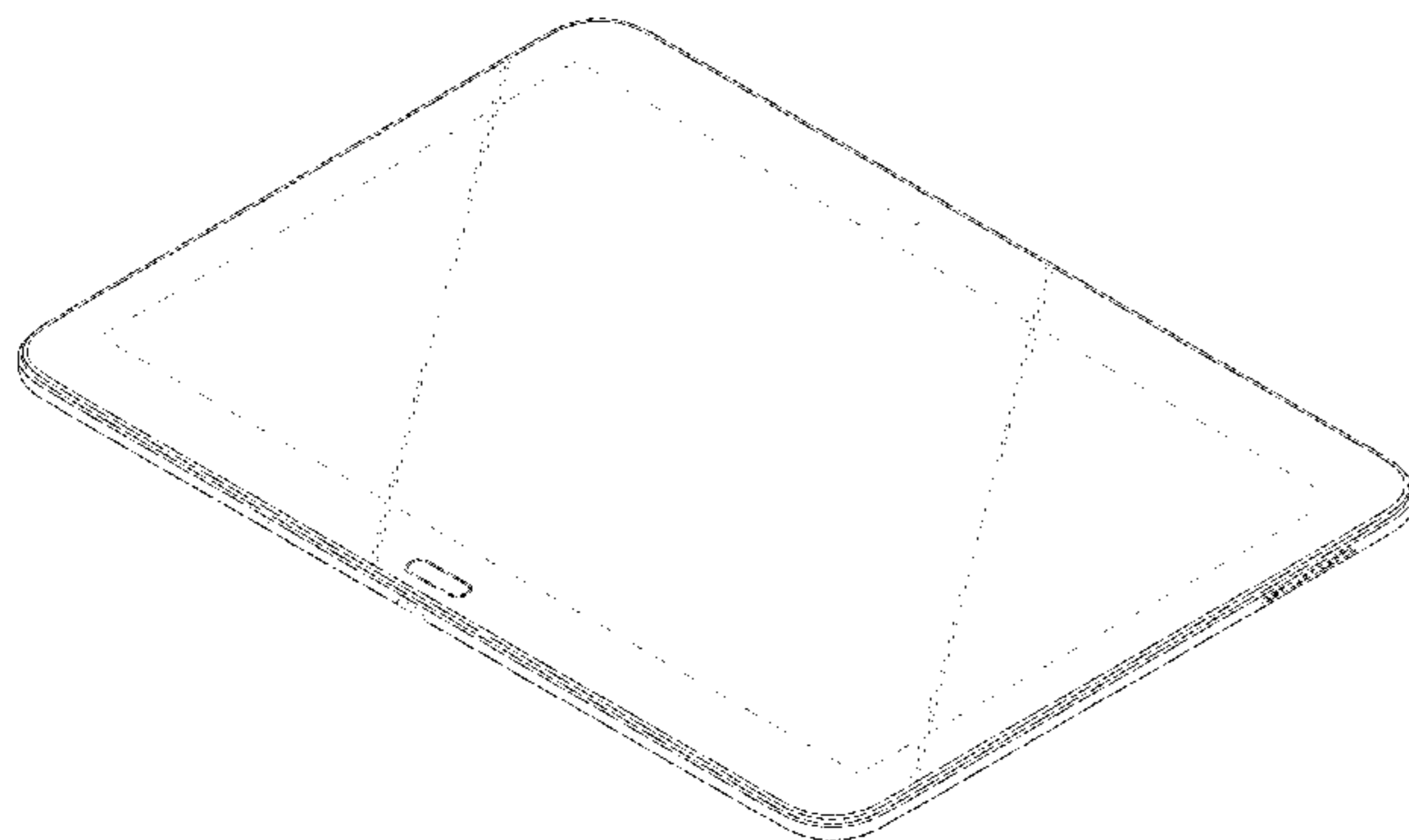


FIG.1

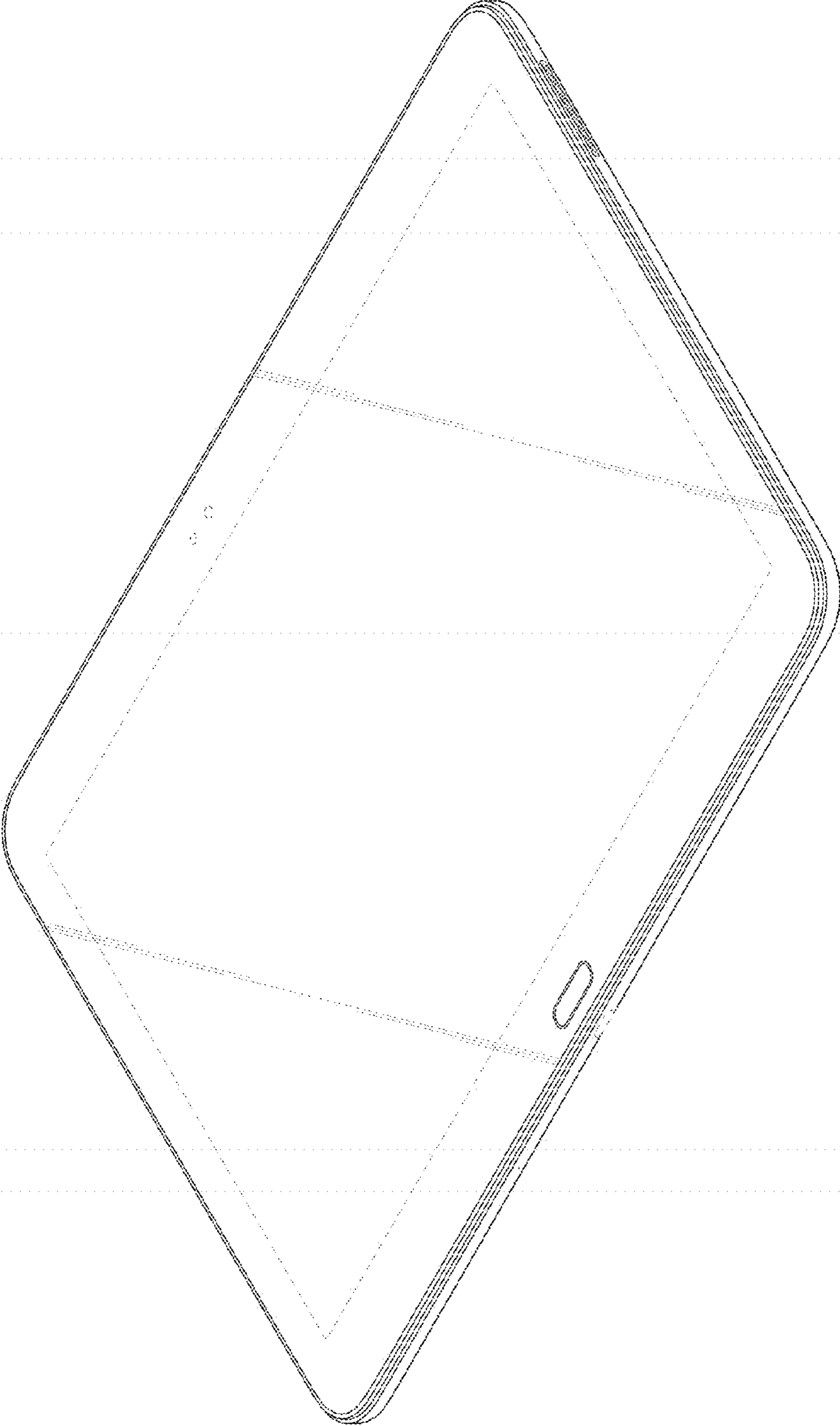


FIG.2

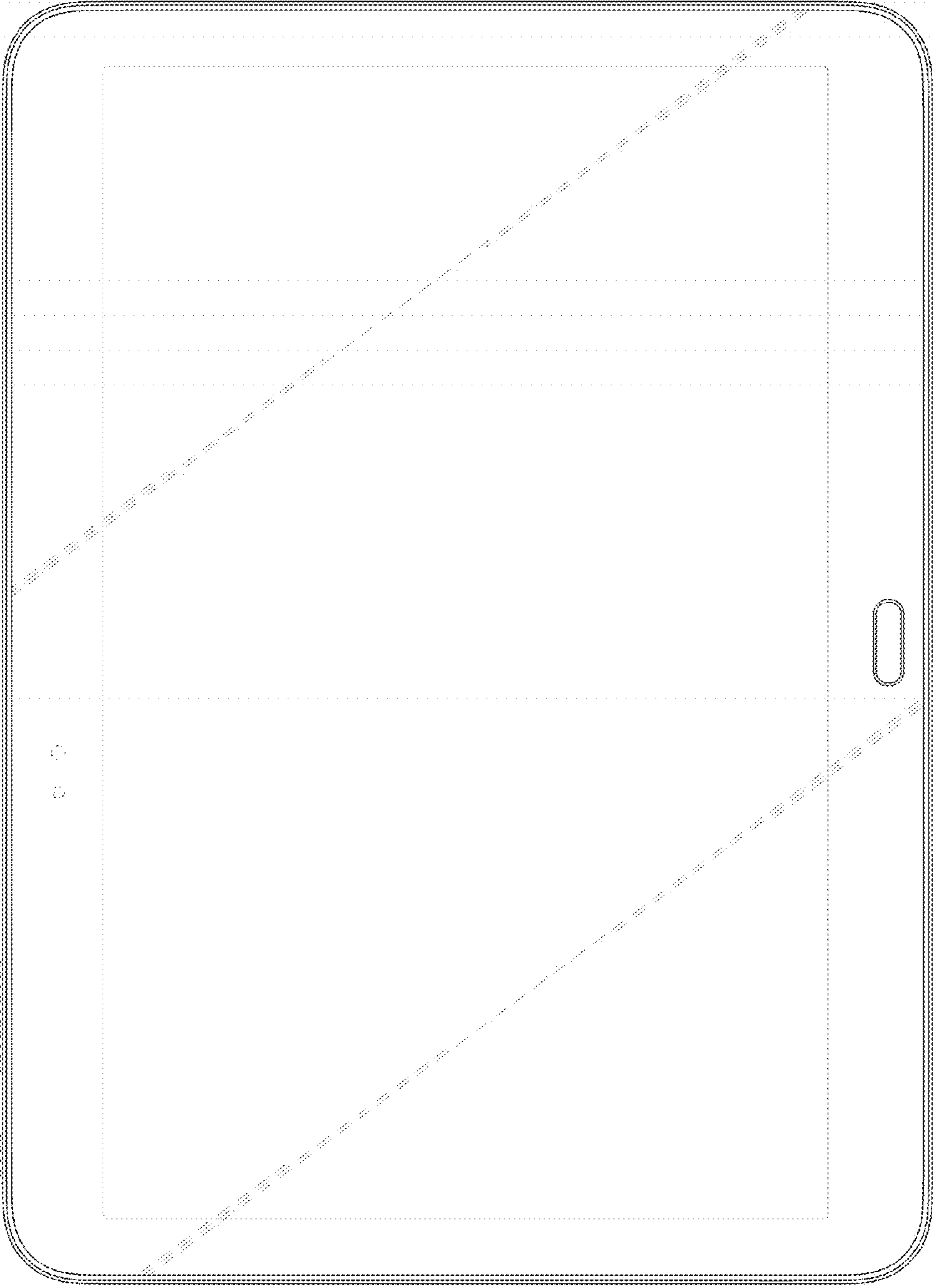


FIG. 3

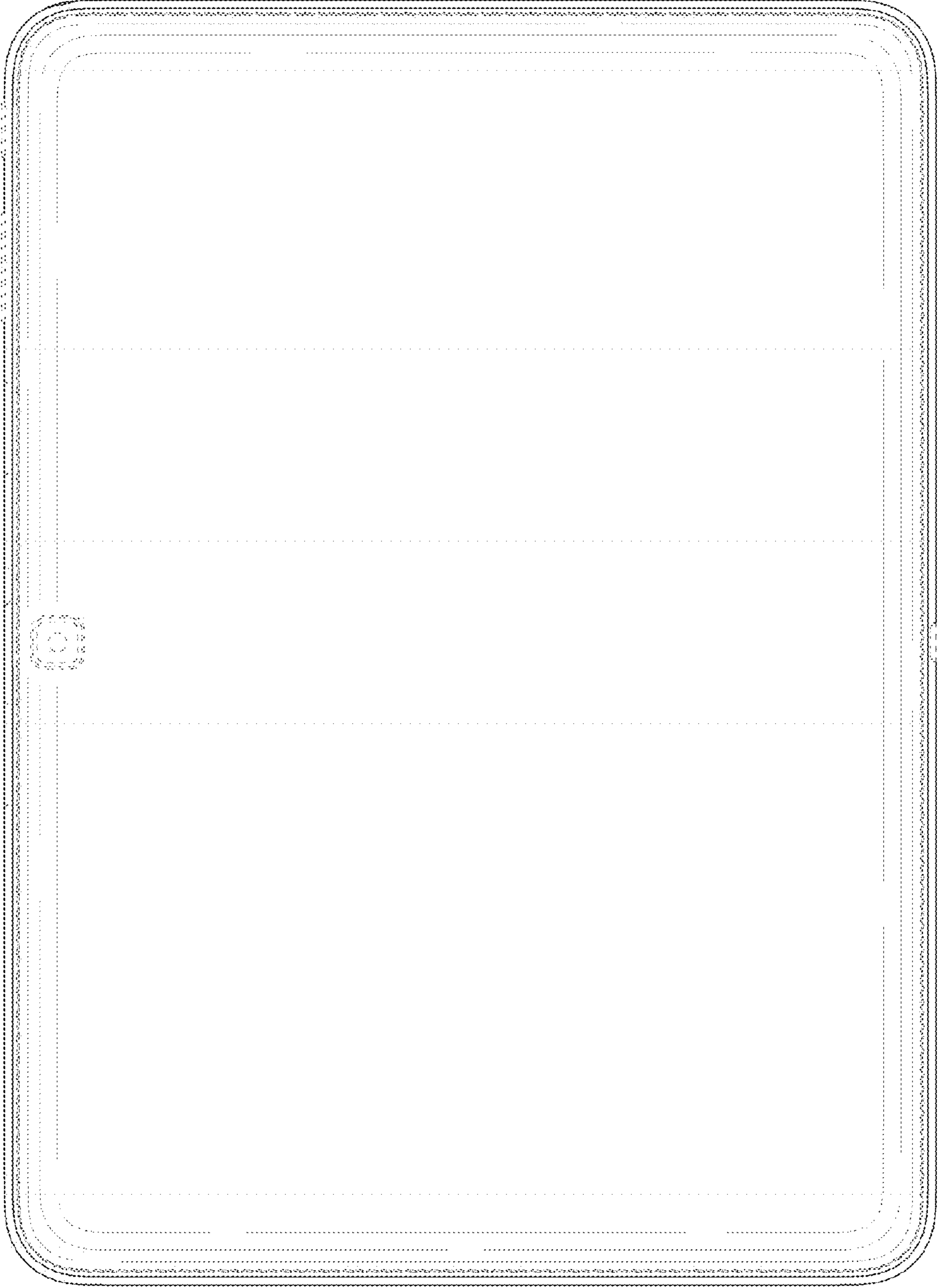


FIG.5

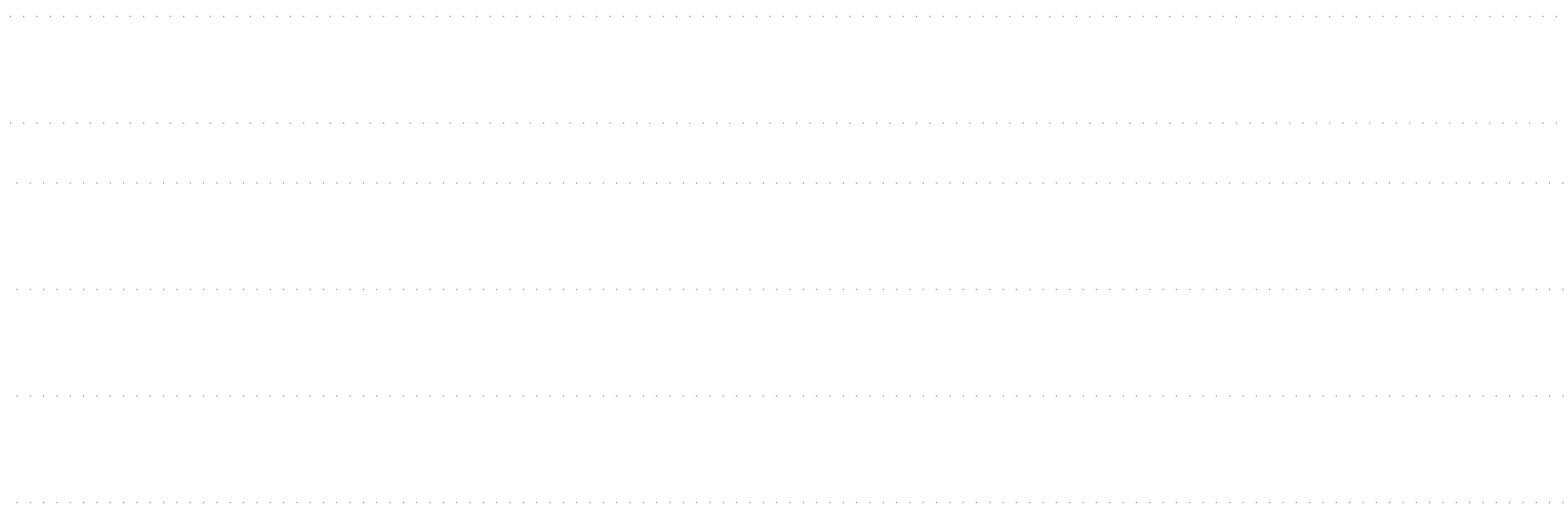
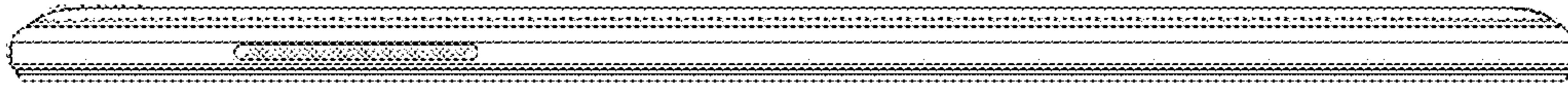
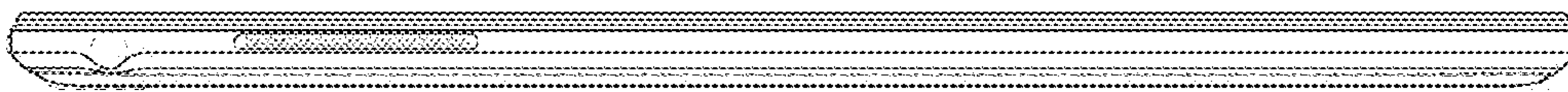


FIG.4



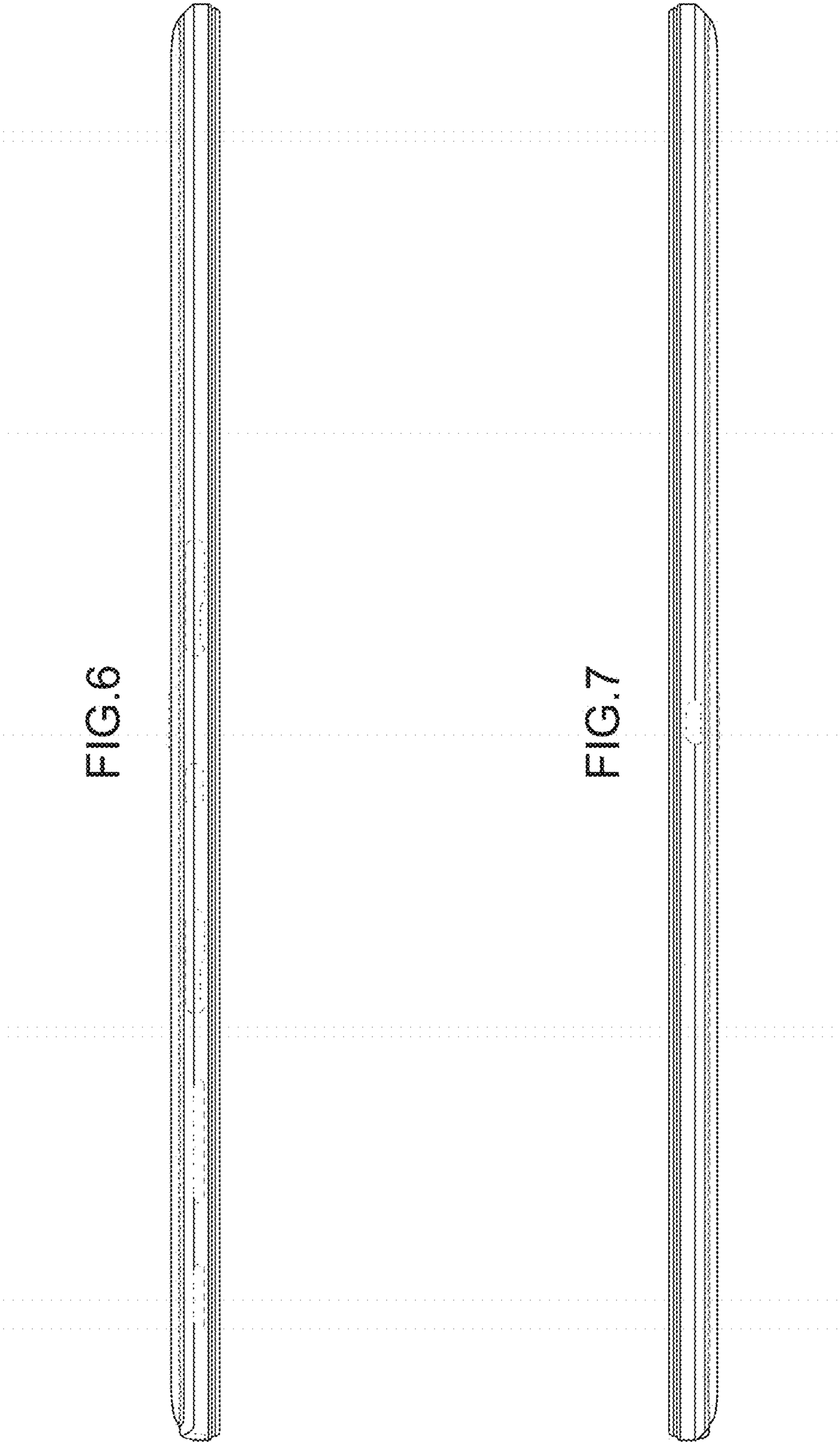


FIG. 6

FIG. 7