



US00D745507S

(12) **United States Design Patent**
Adami

(10) **Patent No.:** **US D745,507 S**
(45) **Date of Patent:** **** Dec. 15, 2015**

(54) **CELL PHONE CASE WITH MAGNIFYING LENS**

(71) Applicant: **Leslie Adami**, Killington, VT (US)

(72) Inventor: **Leslie Adami**, Killington, VT (US)

(**) Term: **14 Years**

(21) Appl. No.: **29/512,320**

(22) Filed: **Dec. 18, 2014**

(51) **LOC (10) Cl.** **14-03**

(52) **U.S. Cl.**
USPC **D14/250**

(58) **Field of Classification Search**

USPC D14/250, 341, 486, 252, 248, 217, 251, D14/496, 253, 138 AD, 138 G, 346, 138 C, D14/138 R, 138 AA, 202; D3/218, 203.2, D3/201; D13/108, 103; 446/72; 455/559, 455/575.8, 556.1, 575.1, 90.3, 128; 439/39, 439/660; 361/679.56, 679.3, 679.55, 361/679.57; 312/223.1, 351.1; 248/689, 248/351, 465; 206/320, 37, 45.24, 316.2, 206/701, 811; 264/328.1; 29/428; 345/173; 220/212, 560, 622, 692, 782, 784, 788; 292/294, 301, DIG. 47
CPC Y10T 29/49826; A45C 11/00; A45C 2011/002; H04B 1/3888; G06F 1/1626
See application file for complete search history.

(56) **References Cited**

U.S. PATENT DOCUMENTS

D594,496 S *	6/2009	Jim	D16/135
D597,114 S *	7/2009	Yip	D16/135
D668,700 S *	10/2012	Jim	D16/135
D686,605 S *	7/2013	Palmeri	D14/250
D695,731 S *	12/2013	Adami	D14/250
D724,785 S *	3/2015	Frederick	D14/250
2013/0157730 A1 *	6/2013	McCormac	H04W 88/02 455/575.8

OTHER PUBLICATIONS

U.S. Appl. No. 29/491,476, Leslie Adami.

* cited by examiner

Primary Examiner — Robert M Spear

Assistant Examiner — Ryan Harvey

(74) *Attorney, Agent, or Firm* — Alan Corté; Green Mountain Innovations

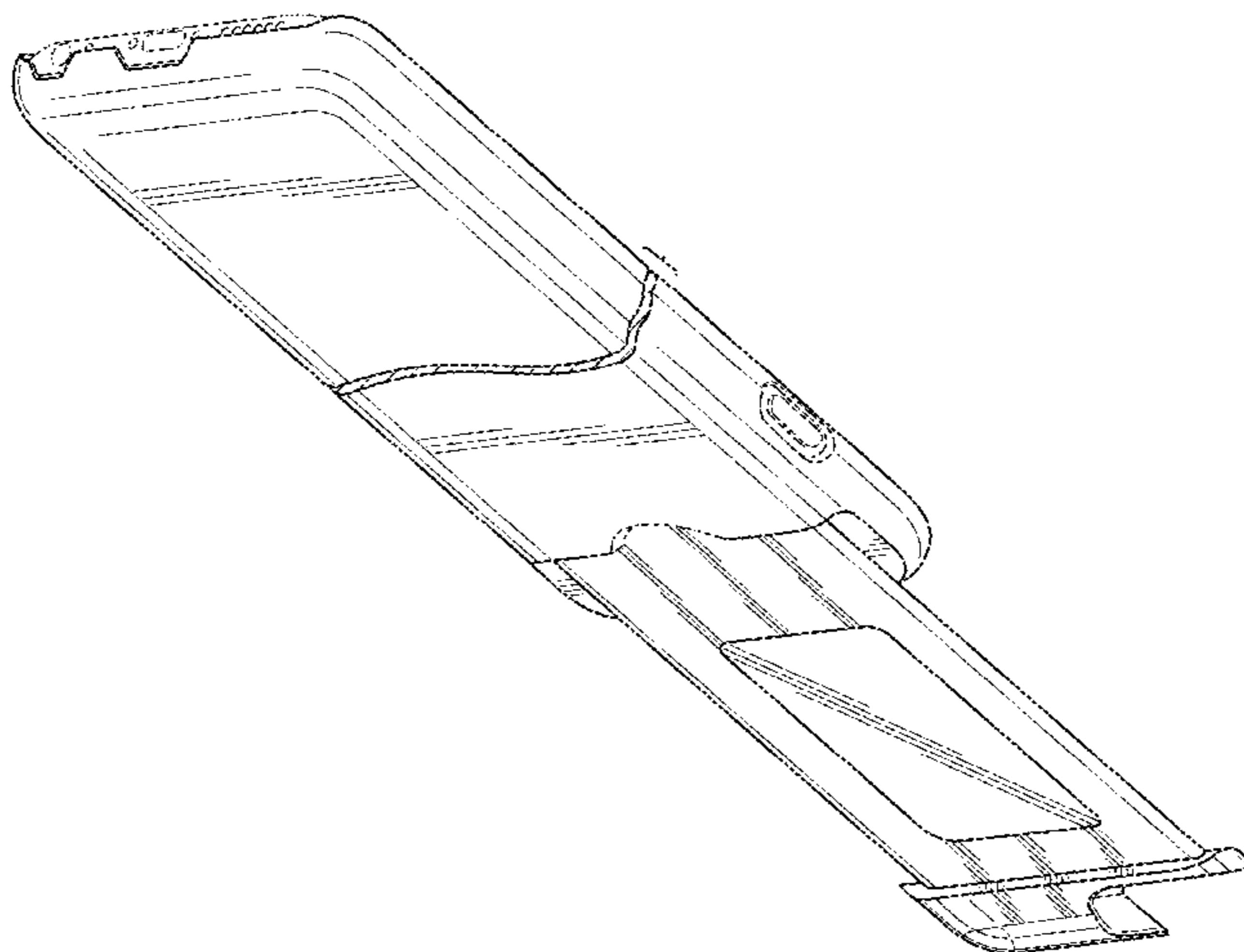
(57) **CLAIM**

I claim the ornamental design for a cell phone case with magnifying lens, as shown and described.

DESCRIPTION

FIG. 1 is a top, front, right side perspective view of the cell phone case with the magnifier lens in a retracted position. FIG. 2 is a bottom, back, right side perspective view of the cell phone case with the magnifier lens in a retracted position. FIG. 3 is a front elevational view thereof. FIG. 4 is a rear elevational view thereof. FIG. 5 is a left side elevational view thereof. FIG. 6 is a right side elevational view thereof. FIG. 7 is a top plan view thereof. FIG. 8 is a bottom plan view thereof. FIG. 9 is a top, front, right side perspective view of the cell phone case with the magnifier lens in an extended position. FIG. 10 is a bottom, back, right side perspective view of the cell phone case with the magnifier lens in an extended position. FIG. 11 is a front elevational view thereof. FIG. 12 is a rear elevational view thereof. FIG. 13 is a left side elevational view thereof; and, FIG. 14 is a right side elevational view thereof. The claimed design is shown with a symbolic break in its length. The appearance of any portion of the article between the break lines forms no part of the claimed design. All broken lines depict unclaimed environment; the broken lines form no part of the claimed design.

1 Claim, 11 Drawing Sheets



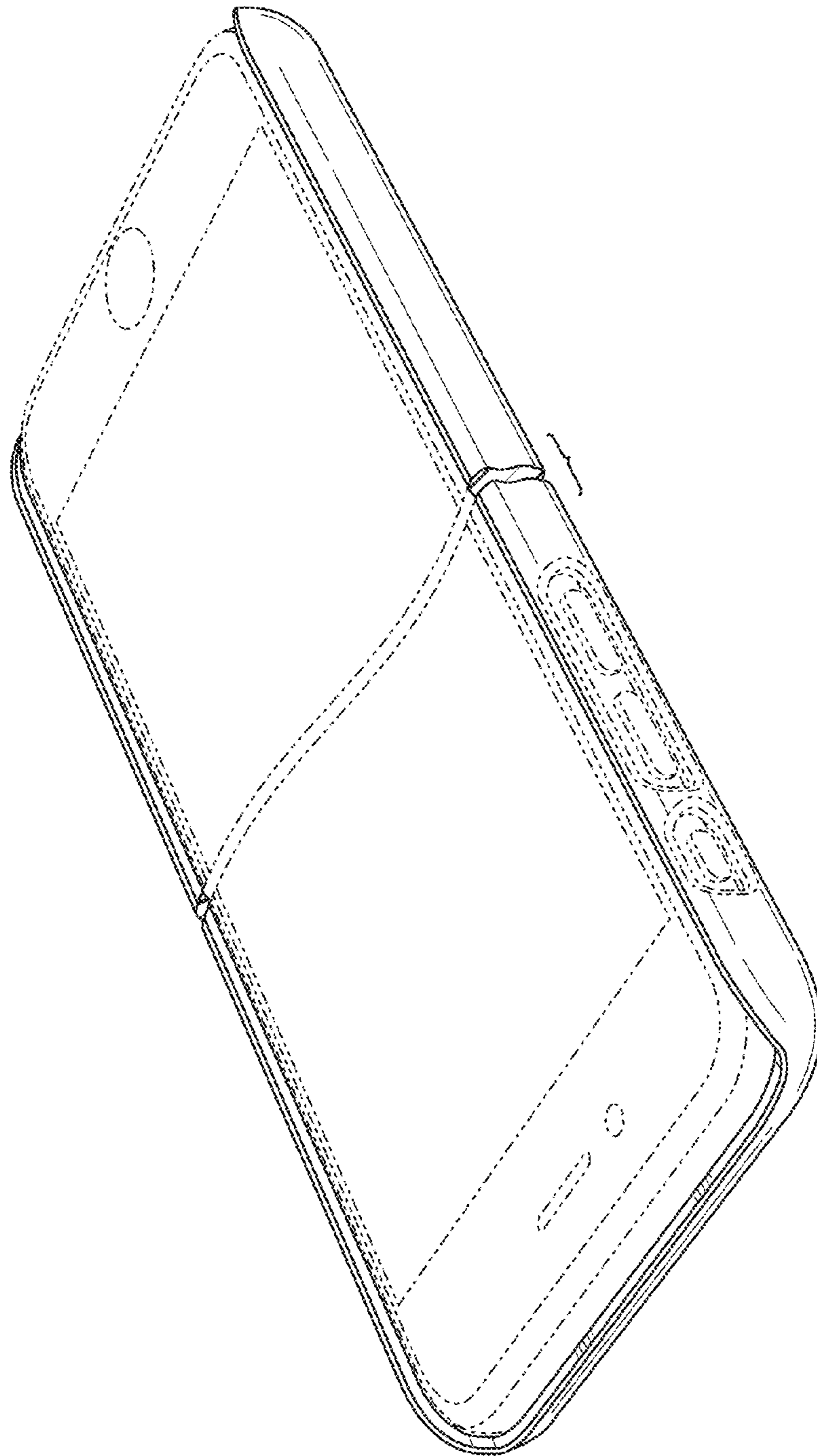


FIG. 1

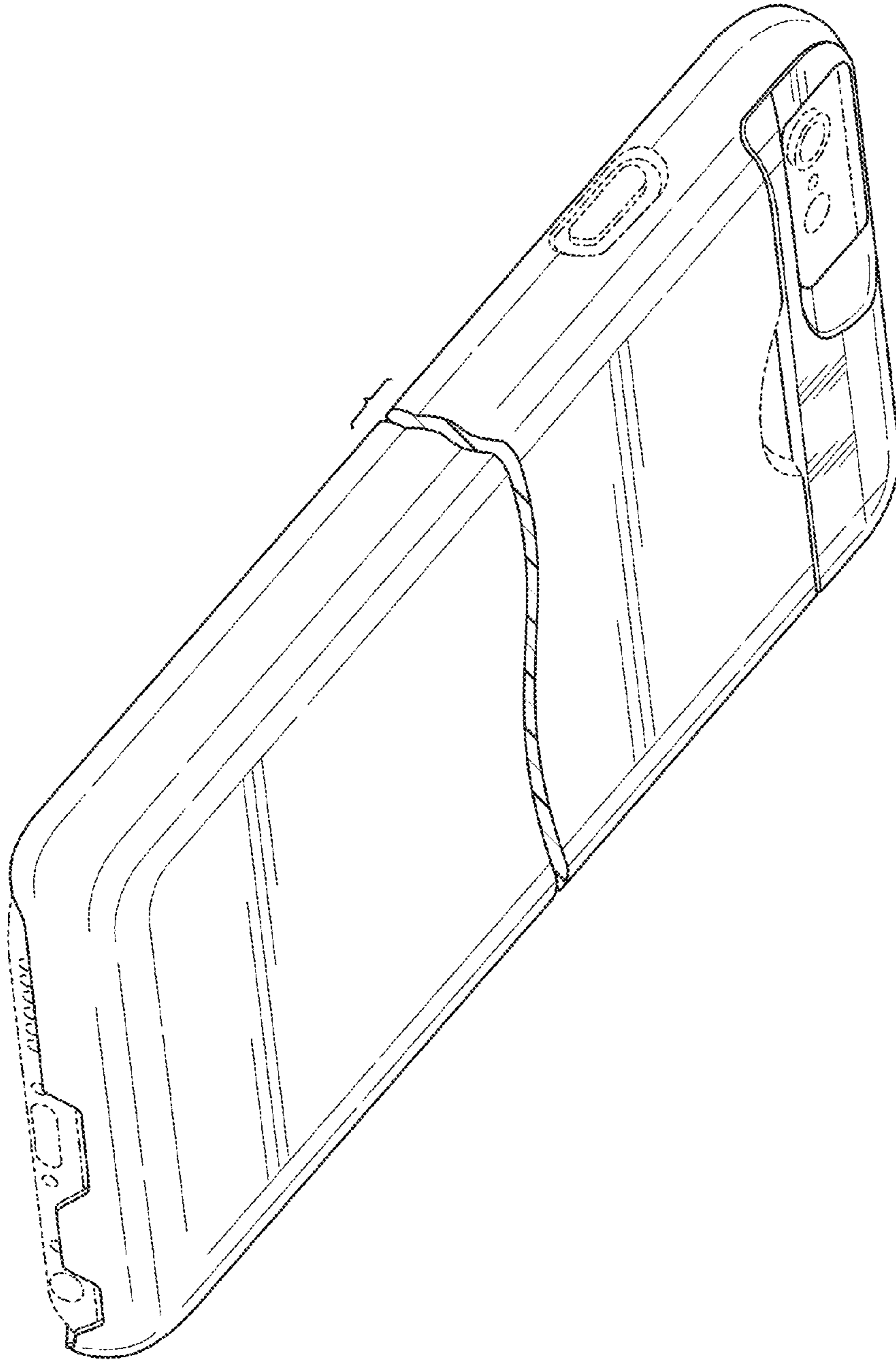


FIG. 2

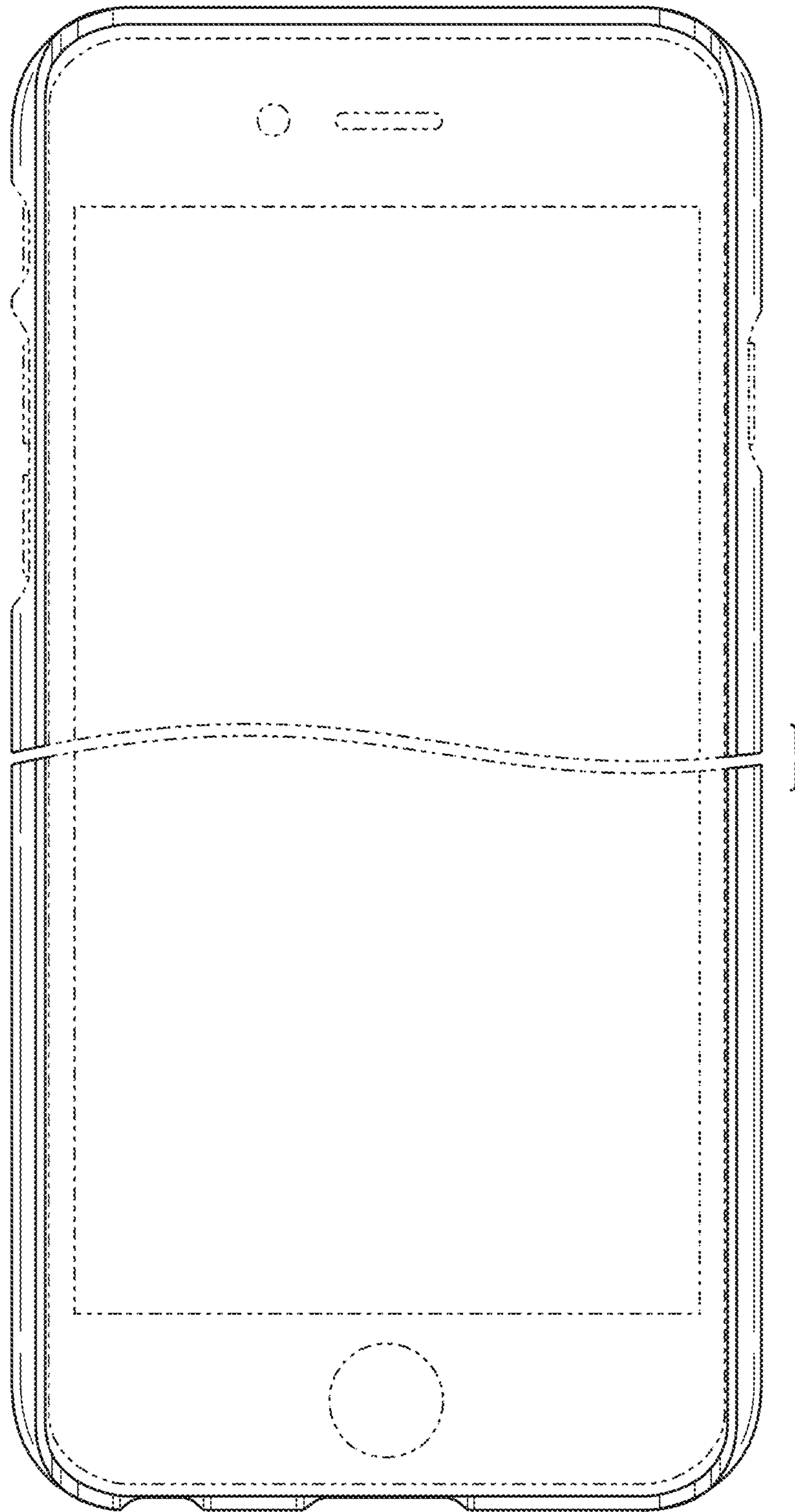


FIG. 3

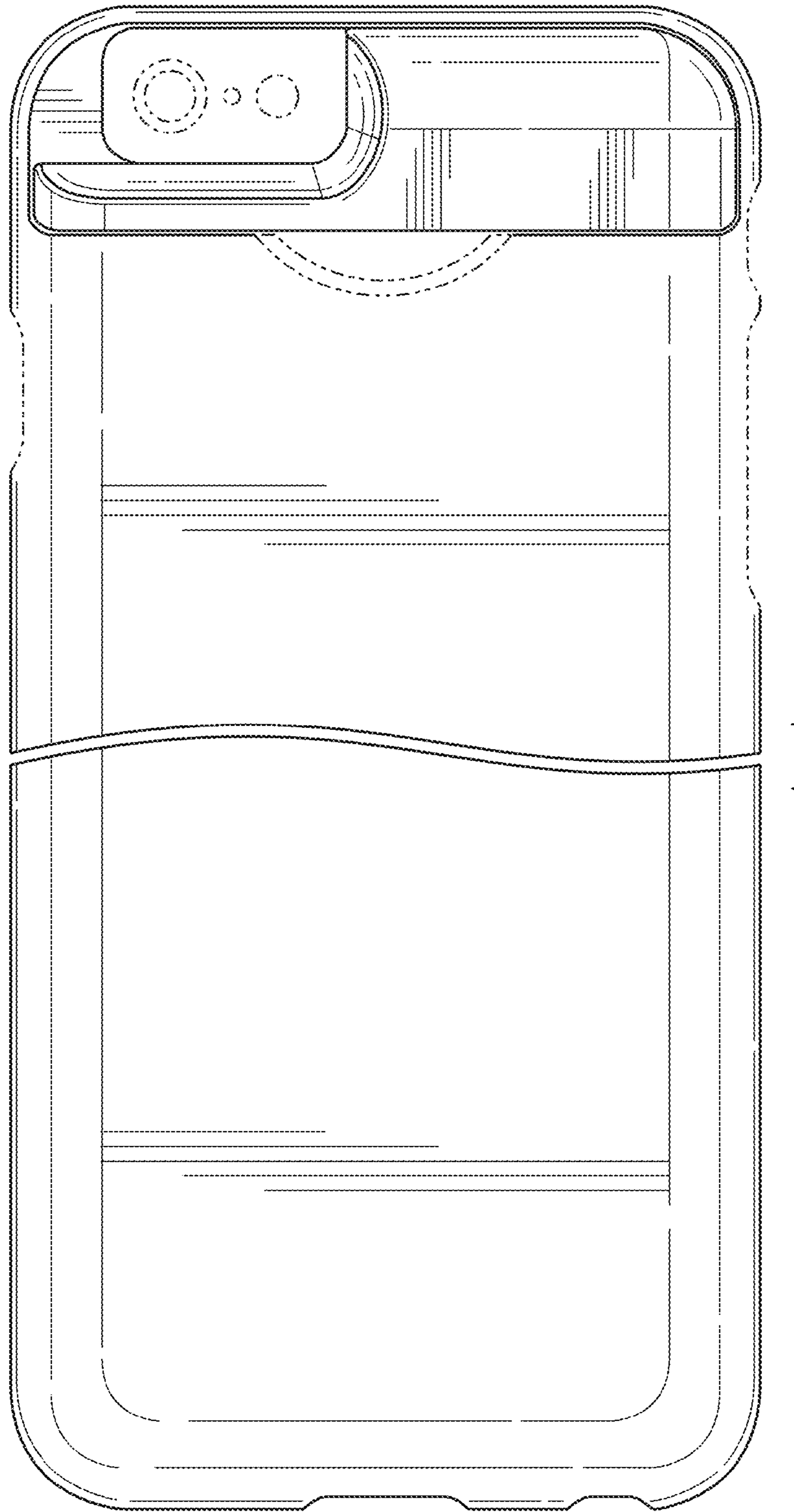


FIG. 4

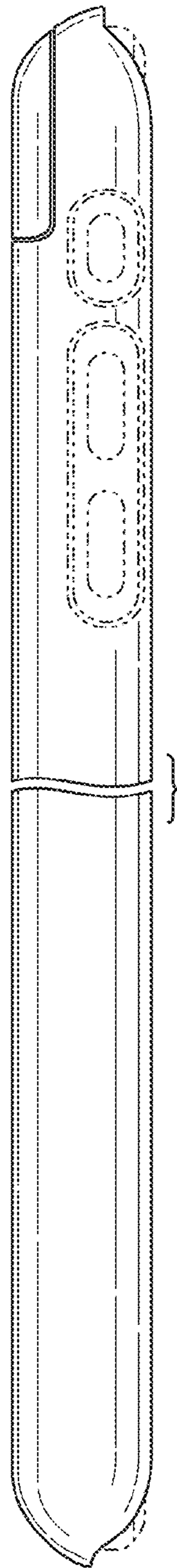


FIG. 5

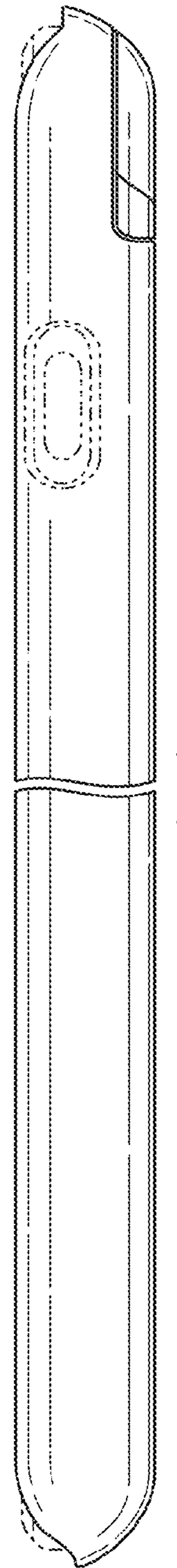


FIG. 6

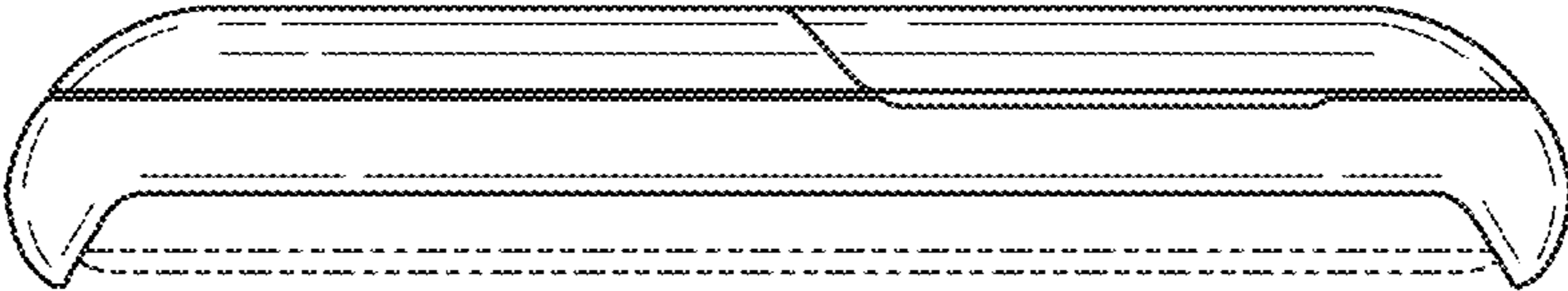


FIG. 7



FIG. 8

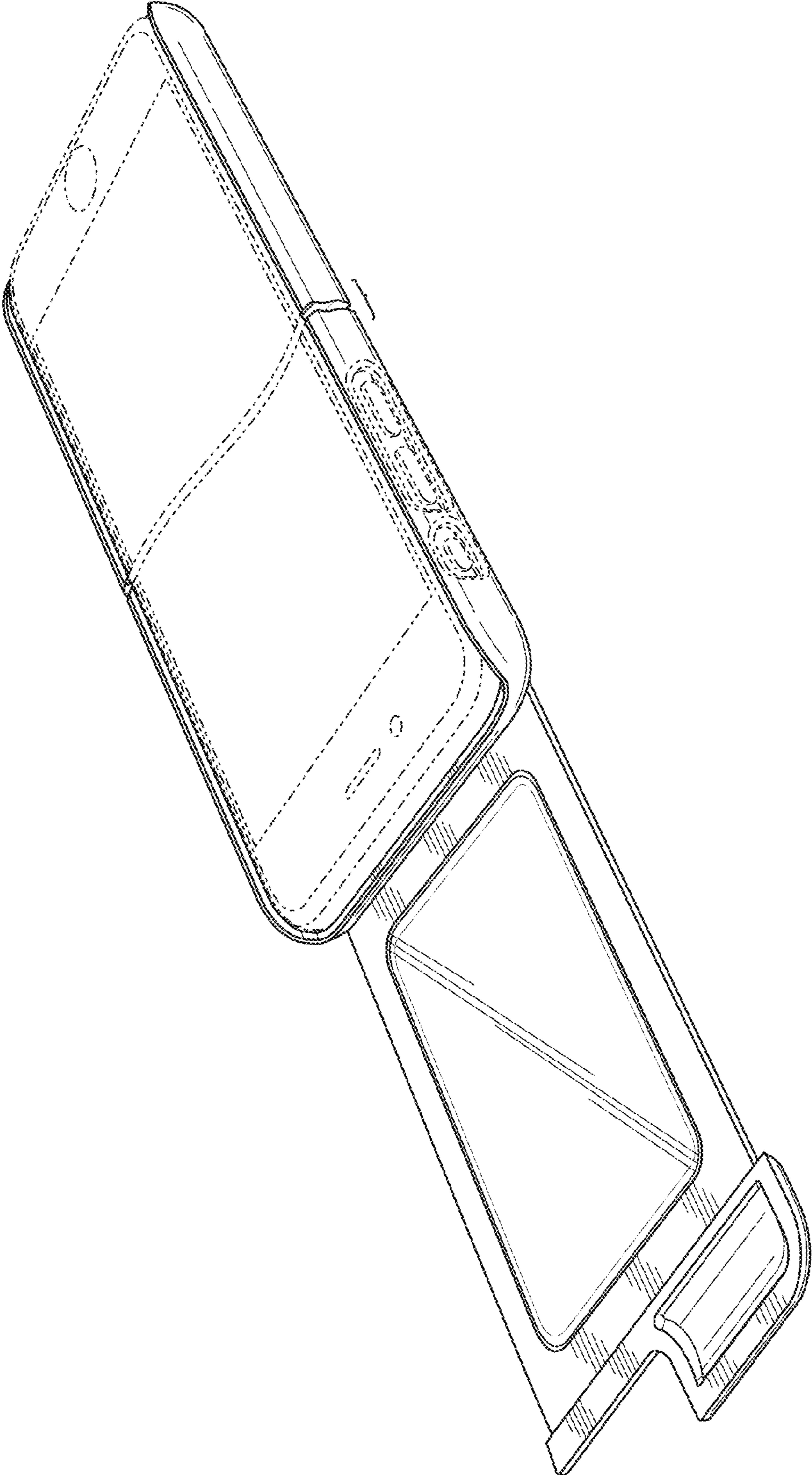


FIG. 9

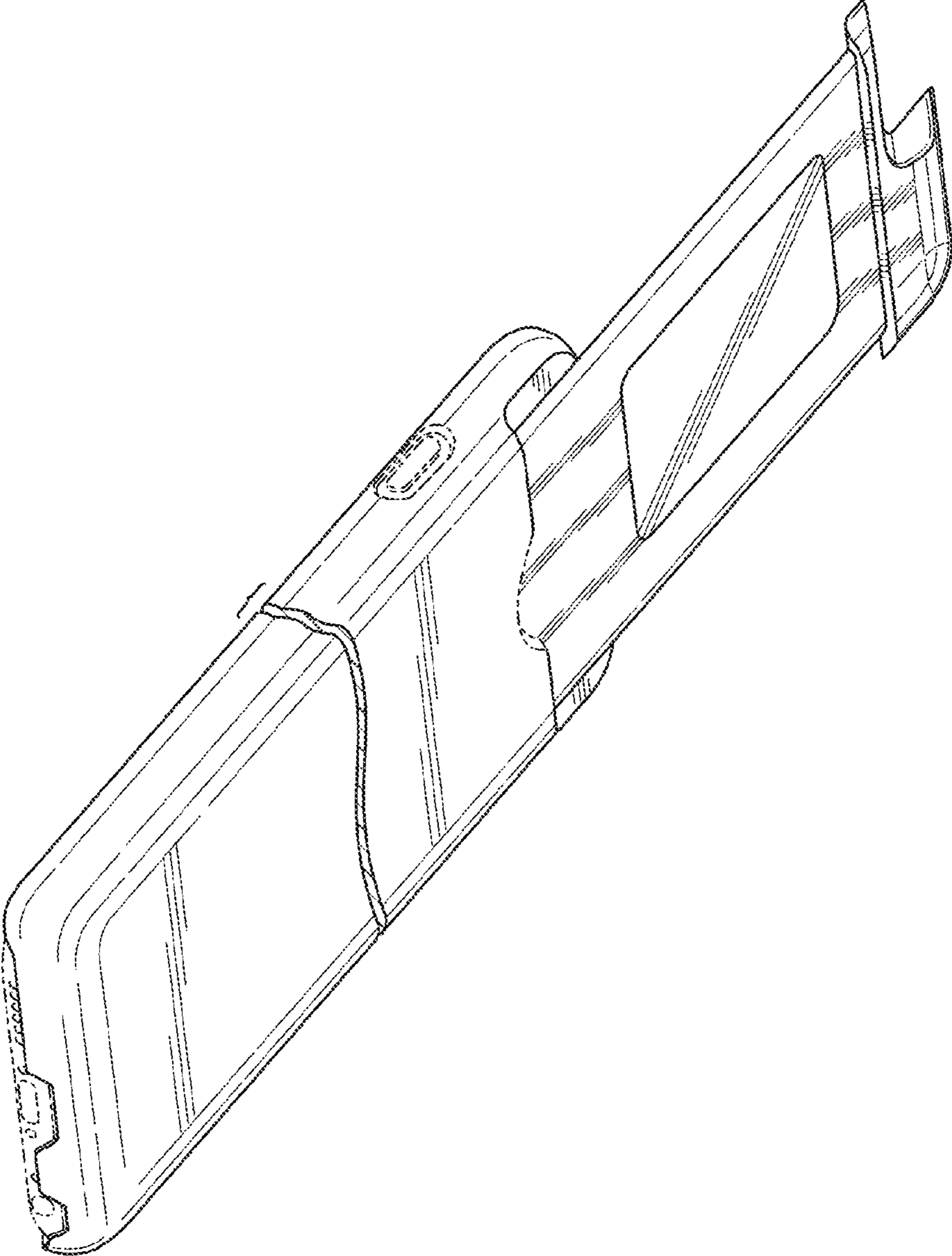


FIG. 10

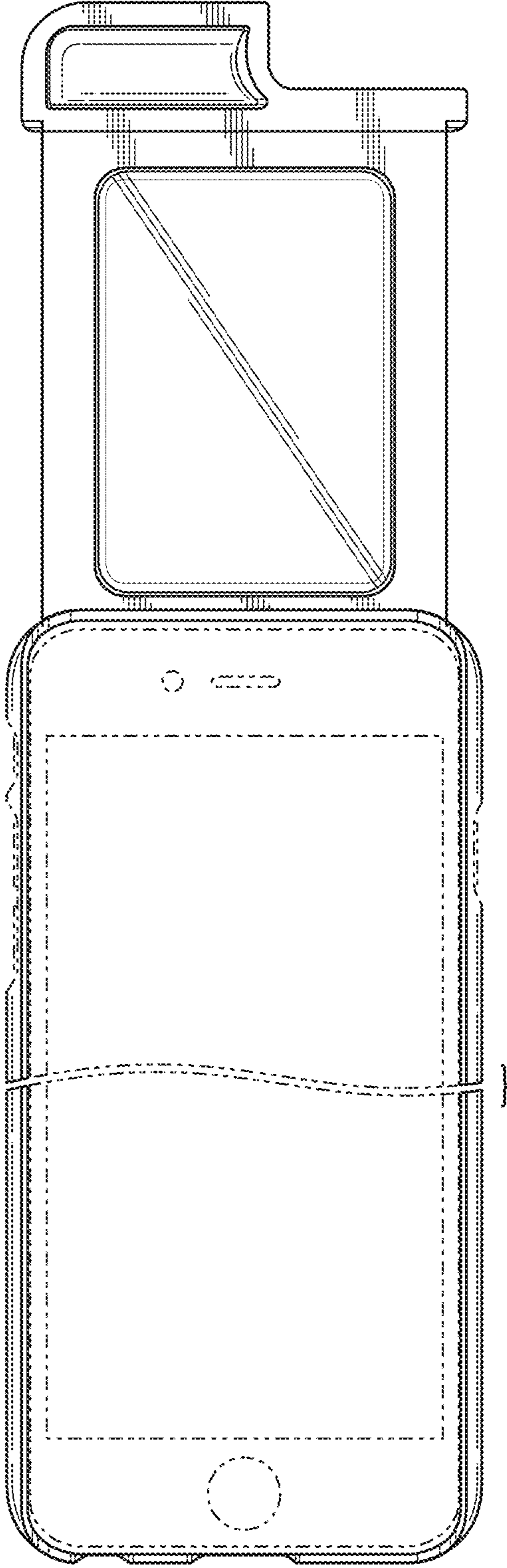


FIG. 11

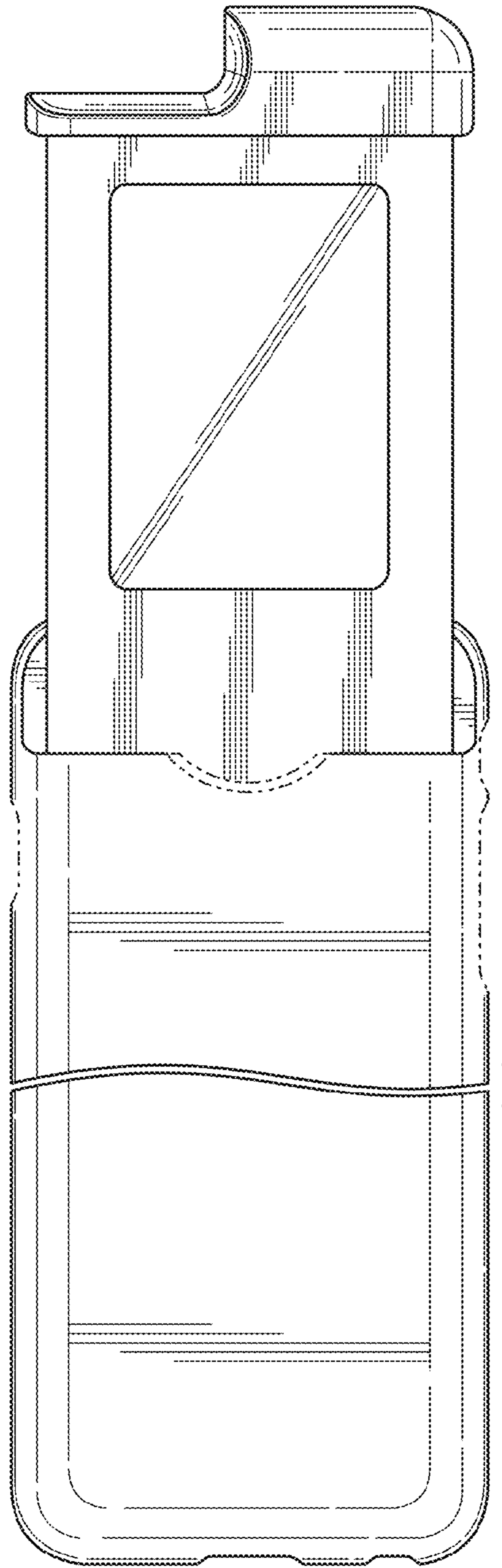


FIG. 12

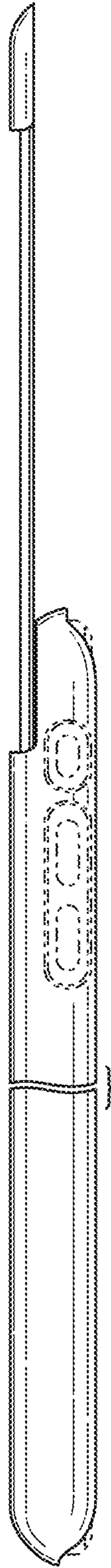


FIG. 13

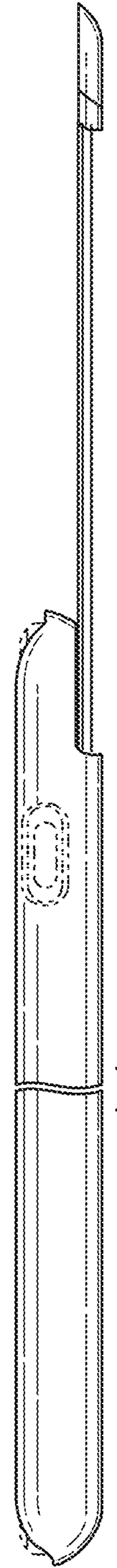


FIG. 14