



US00D745502S

(12) **United States Design Patent**
Schmidt

(10) **Patent No.:** **US D745,502 S**
(45) **Date of Patent:** **** Dec. 15, 2015**

- (54) **MOBILE PHONE RADIATION SHIELD**
- (71) Applicant: **LIFEWAVE, INC.**, San Diego, CA (US)
- (72) Inventor: **David Schmidt**, San Diego, CA (US)
- (73) Assignee: **LIFEWAVE, INC.**, San Diego, CA (US)
- (**) Term: **14 Years**
- (21) Appl. No.: **29/479,888**
- (22) Filed: **Jan. 21, 2014**
- (51) **LOC (10) Cl.** **14-03**
- (52) **U.S. Cl.**
USPC **D14/250**
- (58) **Field of Classification Search**
USPC D14/250–253, 440, 203.3–203.7, 217,
D14/496, 248, 238.1, 240, 447; D3/201,
D3/218, 269, 301, 273, 303; D13/103,
D13/107–108; 220/4.02; 248/309.1;
361/679.56; 379/426, 433.11, 455;
455/575.1, 575.8; 190/100; 206/305,
206/320; D29/103, 122
CPC A45C 2011/002; A45C 11/00; A45C
13/002; A45C 2011/003; H04M 1/0283;
H04M 1/0202
See application file for complete search history.

(56) **References Cited**

U.S. PATENT DOCUMENTS

5,335,366	A *	8/1994	Daniels	455/575.5
5,338,896	A *	8/1994	Danforth	174/380
5,367,309	A *	11/1994	Tashjian	343/702
5,444,866	A *	8/1995	Cykiert	455/575.5
5,550,552	A *	8/1996	Oxley	343/702
5,613,221	A *	3/1997	Hunt	455/575.5
5,657,386	A *	8/1997	Schwanke	379/433.13
D408,826	S *	4/1999	Gargas et al.	D14/250
D413,606	S *	9/1999	Gargas et al.	D14/250
6,075,977	A *	6/2000	Bayrami	455/575.5
D462,072	S *	8/2002	Kunz et al.	D14/250
6,711,387	B1 *	3/2004	Lungley	455/90.3
8,622,770	B2 *	1/2014	Teo et al.	439/607.2

8,696,540	B2 *	4/2014	Mehta et al.	600/8
D717,671	S *	11/2014	Maduro	D10/47
D717,672	S *	11/2014	Maduro	D10/47
2003/0011530	A1 *	1/2003	Lin	343/895
2004/0198415	A1 *	10/2004	Lin et al.	455/550.1
2010/0113111	A1 *	5/2010	Wong et al.	455/575.5
2012/0047631	A1 *	3/2012	Connolly	2/272
2013/0035142	A1 *	2/2013	Wolf, II	455/566
2013/0087593	A1 *	4/2013	Ivarex	224/576
2014/0045561	A1 *	2/2014	Liu	455/575.8

* cited by examiner

Primary Examiner — Carla Jobe Wright

Assistant Examiner — Holly E Thurman

(74) *Attorney, Agent, or Firm* — ARC IP Law, PC; Joseph J. Mayo

(57) **CLAIM**

The ornamental design for a mobile phone radiation shield, as shown and described.

DESCRIPTION

FIG. 1 is a front perspective view of a mobile phone radiation shield showing our new design.

FIG. 2 is a rear perspective view of the mobile phone radiation shield of FIG. 1.

FIG. 3 is a front view of the mobile phone radiation shield of FIG. 1.

FIG. 4 is a left side view of mobile phone radiation shield of FIG. 1, shown in enlarged scale.

FIG. 5 is a right side view of the mobile phone radiation shield of FIG. 1, shown in enlarged scale.

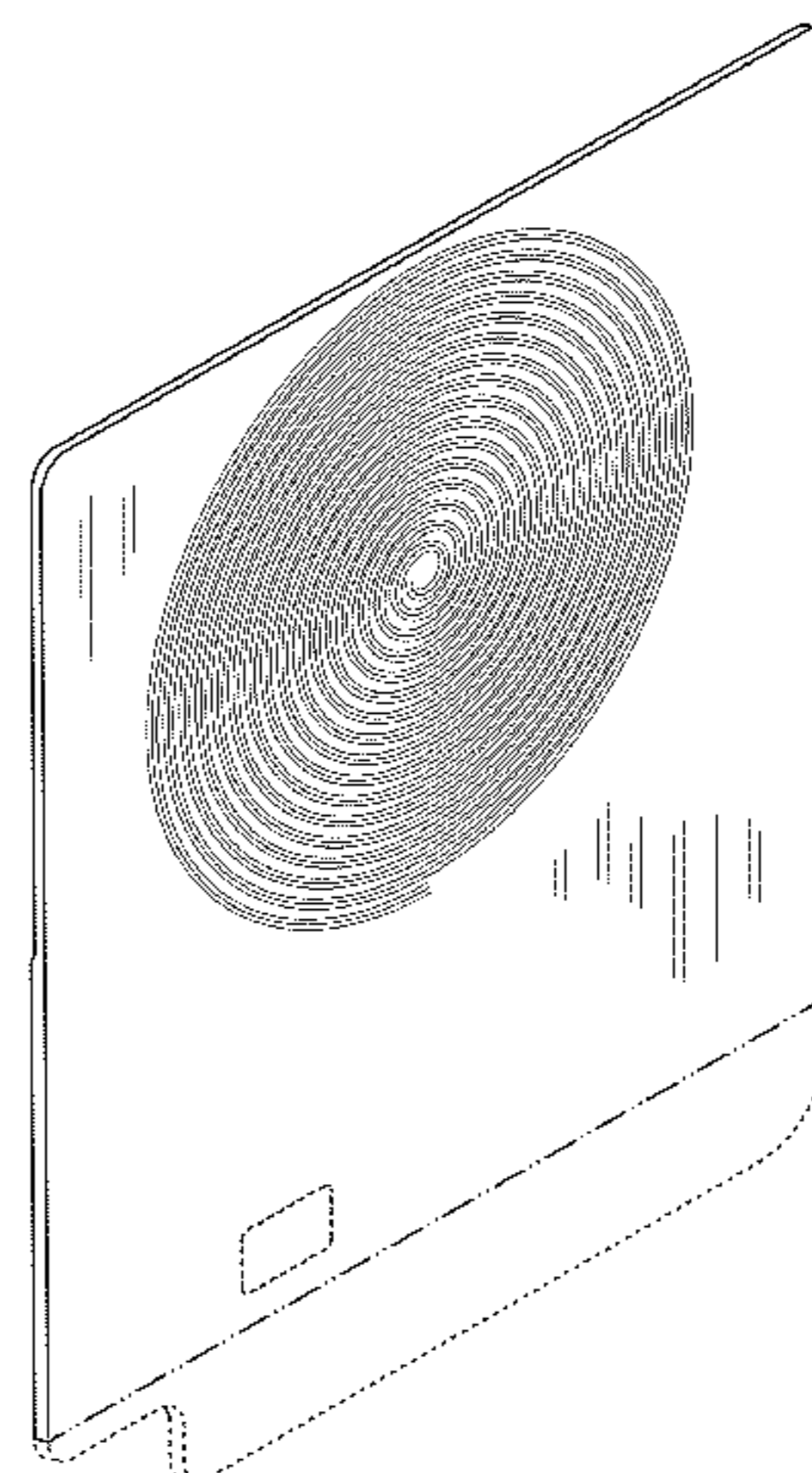
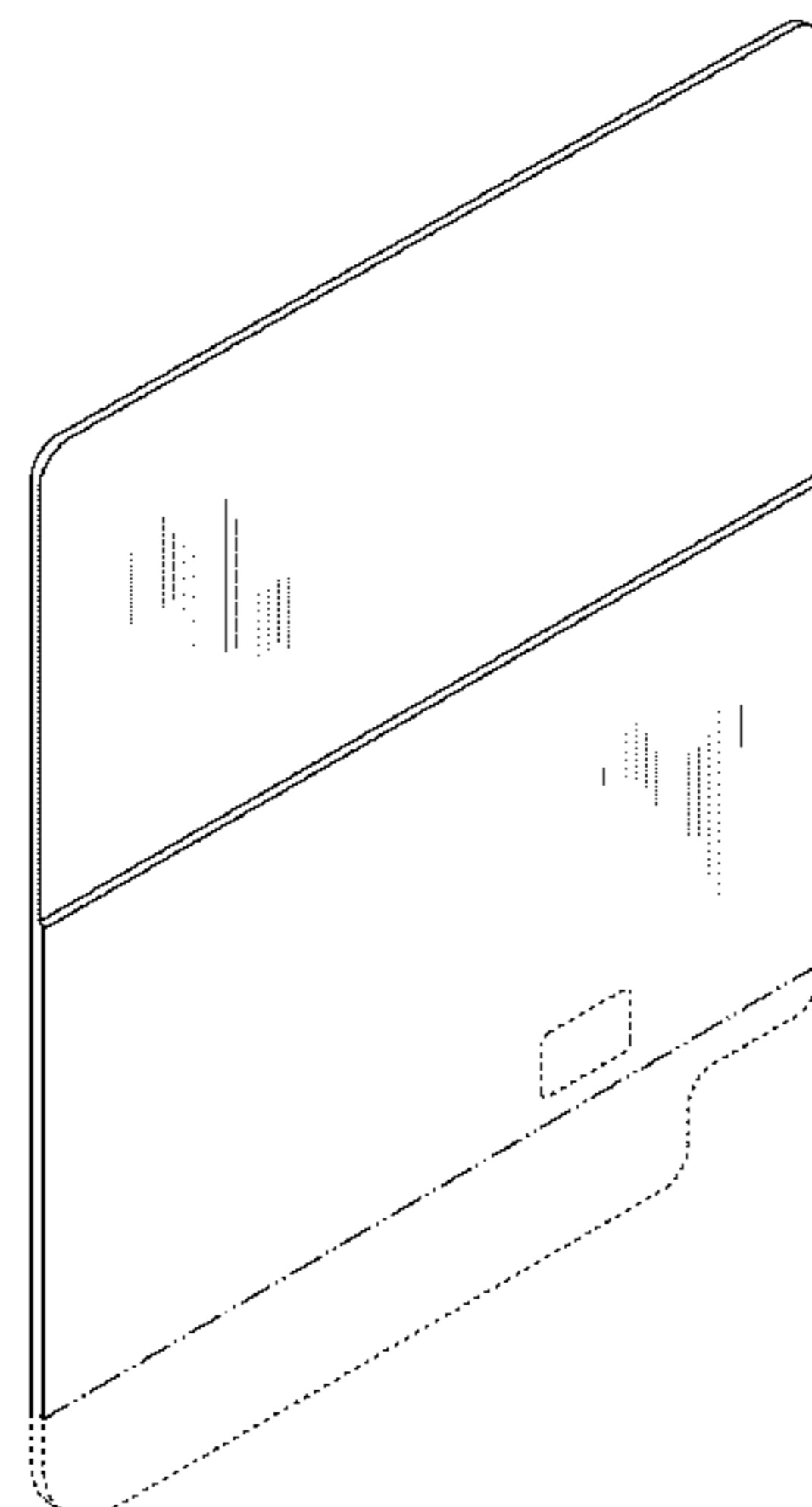
FIG. 6 is a rear view of the mobile phone radiation shield of FIG. 1.

FIG. 7 is a top view of the mobile phone radiation shield of FIG. 1, shown in enlarged scale; and,

FIG. 8 is a bottom view of the mobile phone radiation shield of FIG. 1, shown in enlarged scale.

The dot-dot-dash broken lines represent the bounds of the claimed design. The dash- dash broken lines depict unclaimed portions of the mobile phone radiation shield. All broken lines form no part of the claimed design.

1 Claim, 6 Drawing Sheets



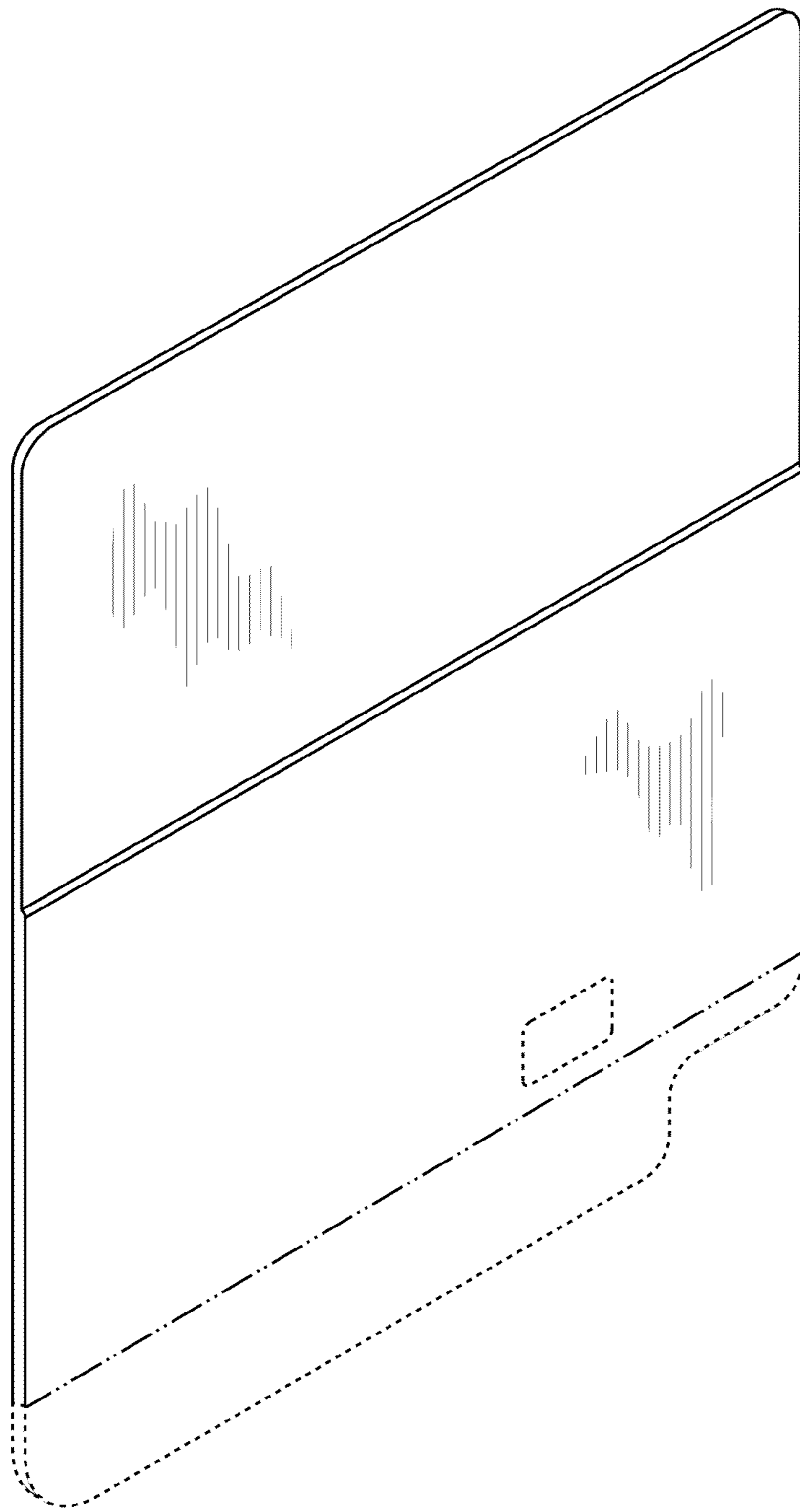


FIG. 1

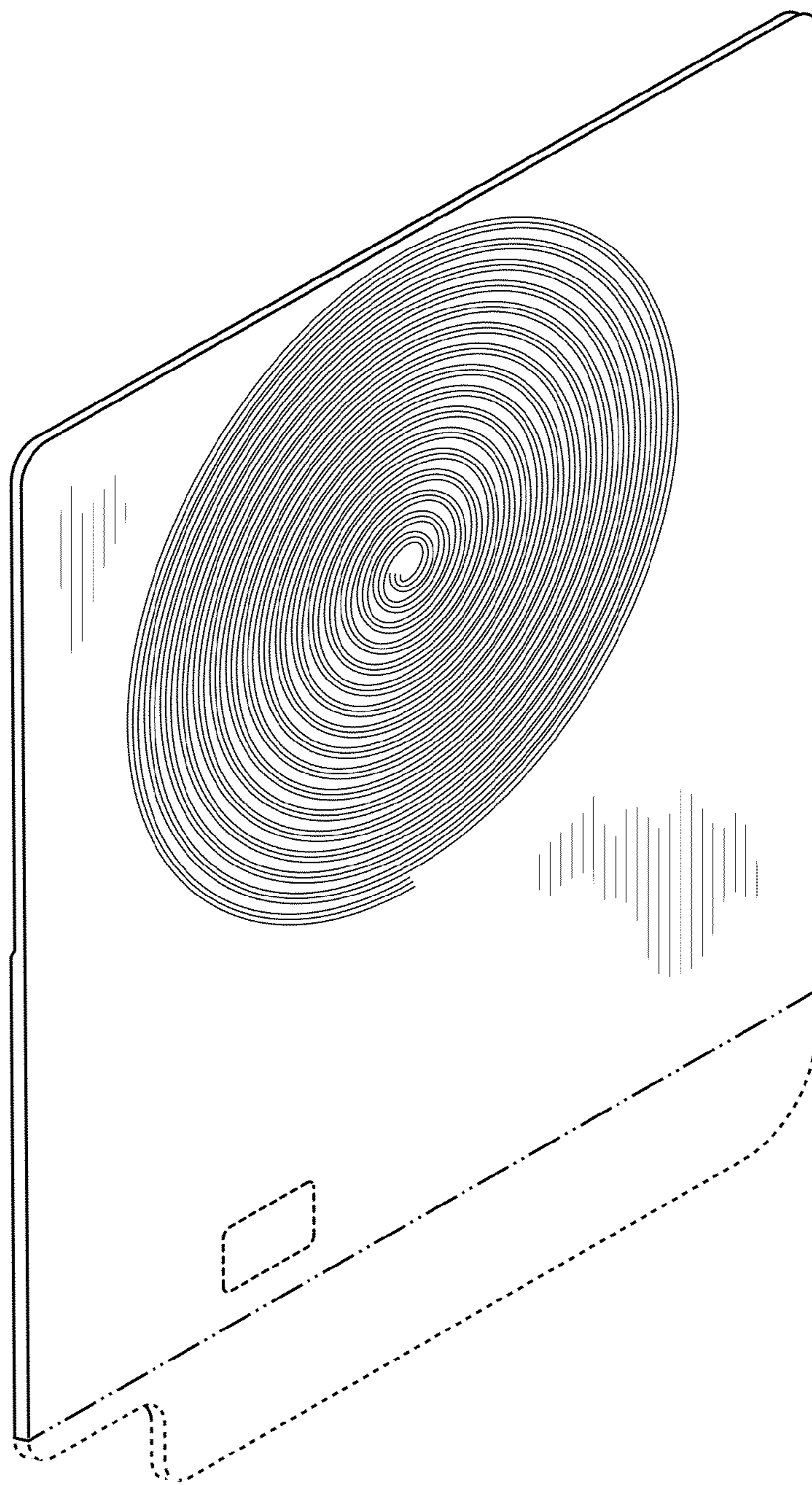


FIG. 2

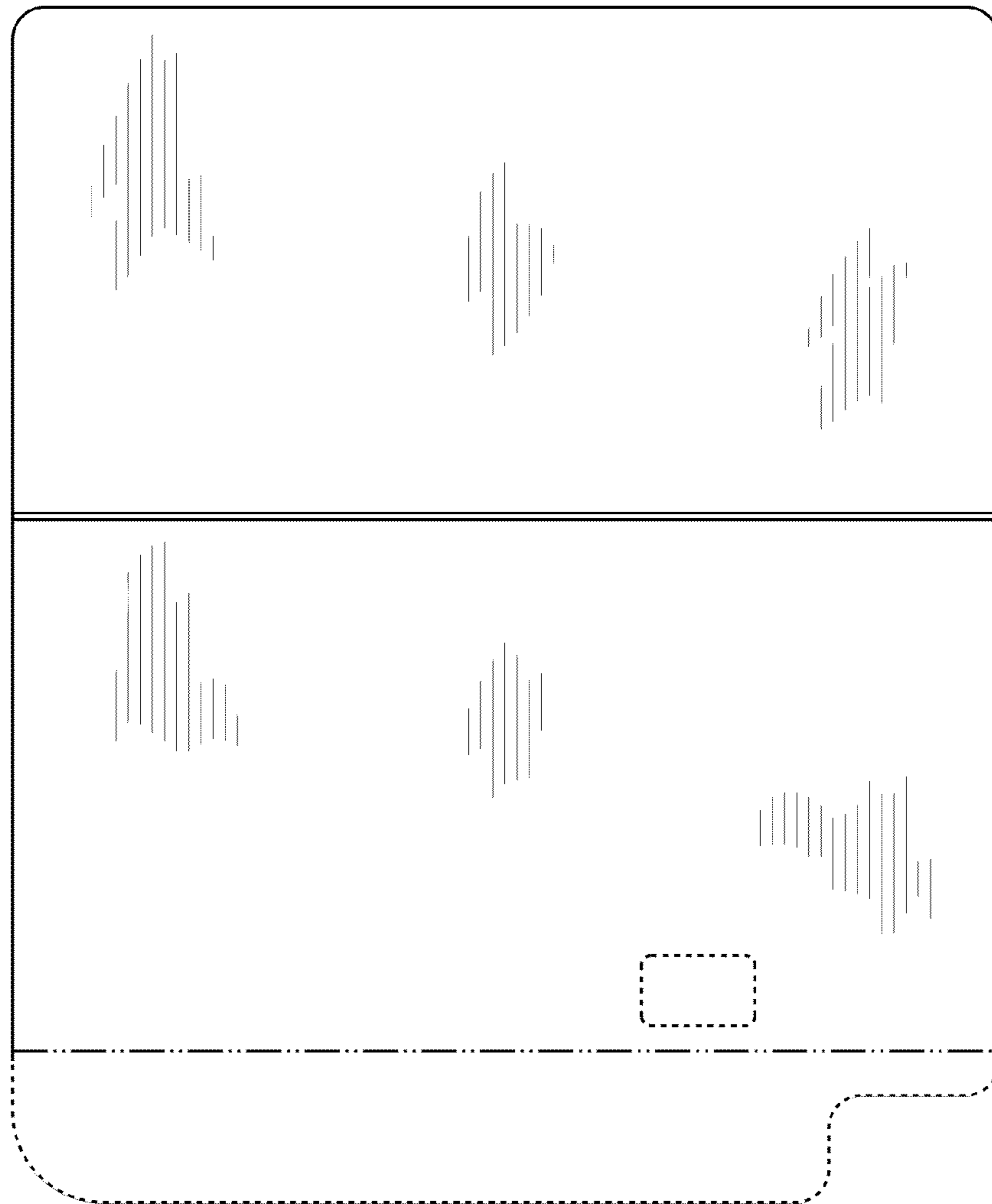


FIG. 3



FIG. 4



FIG. 5

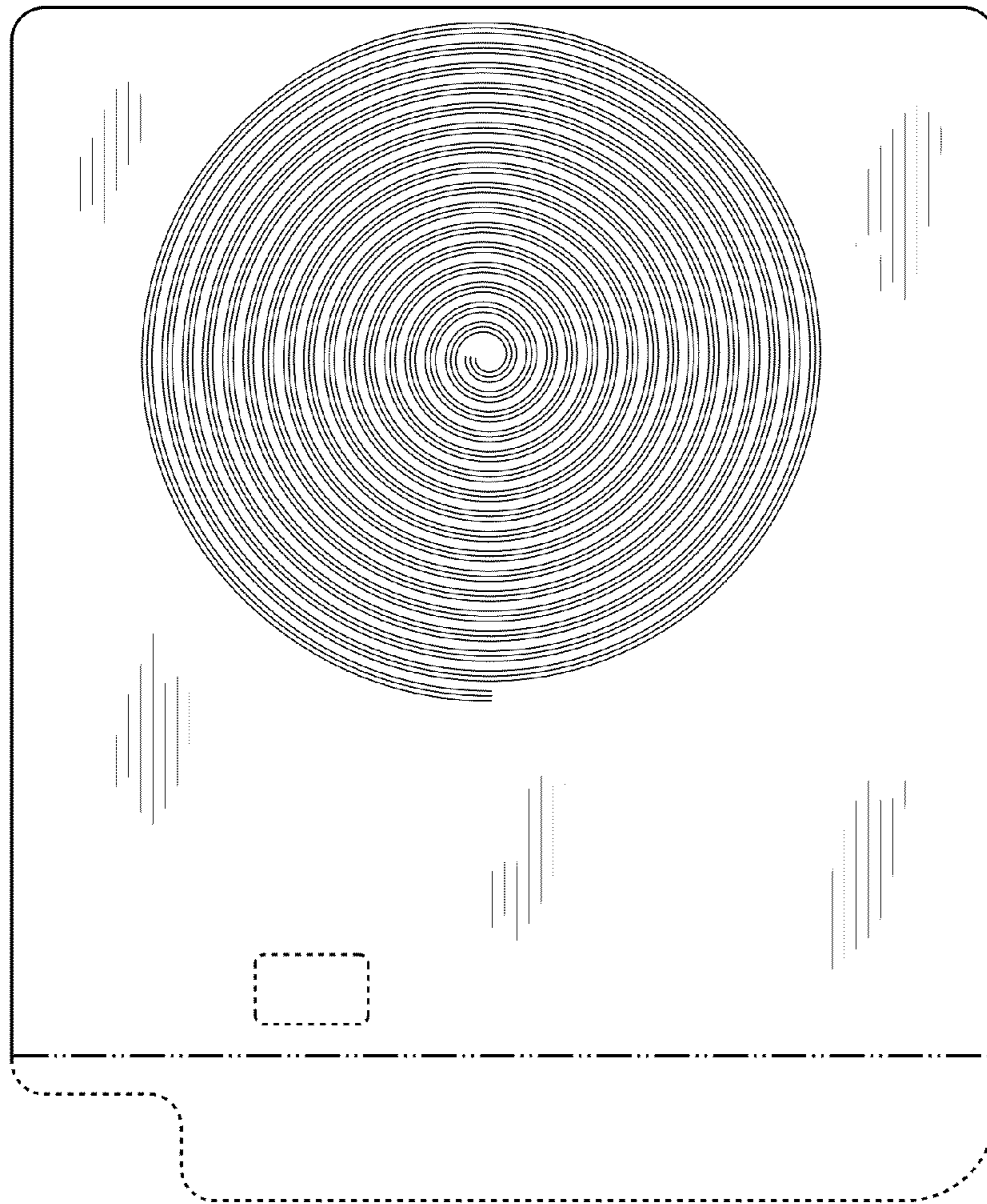


FIG. 6



FIG. 7



FIG. 8