



US00D745501S

(12) **United States Design Patent**
Schmidt

(10) **Patent No.:** **US D745,501 S**
(45) **Date of Patent:** **** Dec. 15, 2015**

(54) **MOBILE PHONE RADIATION SHIELD**

(71) Applicant: **LIFEWAVE, INC.**, San Diego, CA (US)

(72) Inventor: **David Schmidt**, San Diego, CA (US)

(73) Assignee: **LIFEWAVE, INC.**, San Diego, CA (US)

(**) Term: **14 Years**

(21) Appl. No.: **29/479,885**

(22) Filed: **Jan. 21, 2014**

(51) **LOC (10) Cl.** **14-03**

(52) **U.S. Cl.**
USPC **D14/250**

(58) **Field of Classification Search**

USPC D14/250–253, 440, 203.3–203.7, 217,
D14/496, 248, 238.1, 240, 447; D3/201,
D3/218, 269, 301, 273, 303; D13/103,
D13/107–108; 220/4.02; 248/309.1;
361/679.56; 379/426, 433.11, 455;
455/575.1, 575.8; 190/100; 206/305,
206/320; D29/103, 122
CPC A45C 2011/002; A45C 11/00; A45C
13/002; A45C 2011/003; H04M 1/0283;
H04M 1/0202

See application file for complete search history.

(56) **References Cited**

U.S. PATENT DOCUMENTS

5,335,366 A * 8/1994 Daniels 455/575.5
5,338,896 A * 8/1994 Danforth 174/380
5,367,309 A * 11/1994 Tashjian 343/702
5,444,866 A * 8/1995 Cykiert 455/575.5
5,550,552 A * 8/1996 Oxley 343/702
5,613,221 A * 3/1997 Hunt 455/575.5
5,657,386 A * 8/1997 Schwanke 379/433.13
D408,826 S * 4/1999 Gargas et al. D14/250
D413,606 S * 9/1999 Gargas et al. D14/250
6,075,977 A * 6/2000 Bayrami 455/575.5
D462,072 S * 8/2002 Kunz et al. D14/250
6,711,387 B1 * 3/2004 Lungley 455/90.3
8,622,770 B2 * 1/2014 Teo et al. 439/607.2

8,696,540 B2 * 4/2014 Mehta et al. 600/8
D717,671 S * 11/2014 Maduro D10/47
D717,672 S * 11/2014 Maduro D10/47
2003/0011530 A1 * 1/2003 Lin 343/895
2004/0198415 A1 * 10/2004 Lin et al. 455/550.1
2010/0113111 A1 * 5/2010 Wong et al. 455/575.5
2012/0047631 A1 * 3/2012 Connolly 2/272
2013/0035142 A1 * 2/2013 Wolf, II 455/566
2013/0087593 A1 * 4/2013 Ivarez 224/576
2014/0045561 A1 * 2/2014 Liu 455/575.8

* cited by examiner

Primary Examiner — Carla Jobe Wright

Assistant Examiner — Holly E Thurman

(74) *Attorney, Agent, or Firm* — ARC IP Law, PC; Joseph J. Mayo

(57) **CLAIM**

The ornamental design for a mobile phone radiation shield, as shown and described.

DESCRIPTION

FIG. 1 is a front perspective view of a mobile phone radiation shield showing our new design.

FIG. 2 is a rear perspective view of the mobile phone radiation shield of FIG. 1.

FIG. 3 is a front view of the mobile phone radiation shield of FIG. 1.

FIG. 4 is a left side view of mobile phone radiation shield of FIG. 1, shown in enlarged scale.

FIG. 5 is a right side view of the mobile phone radiation shield of FIG. 1, shown in enlarged scale.

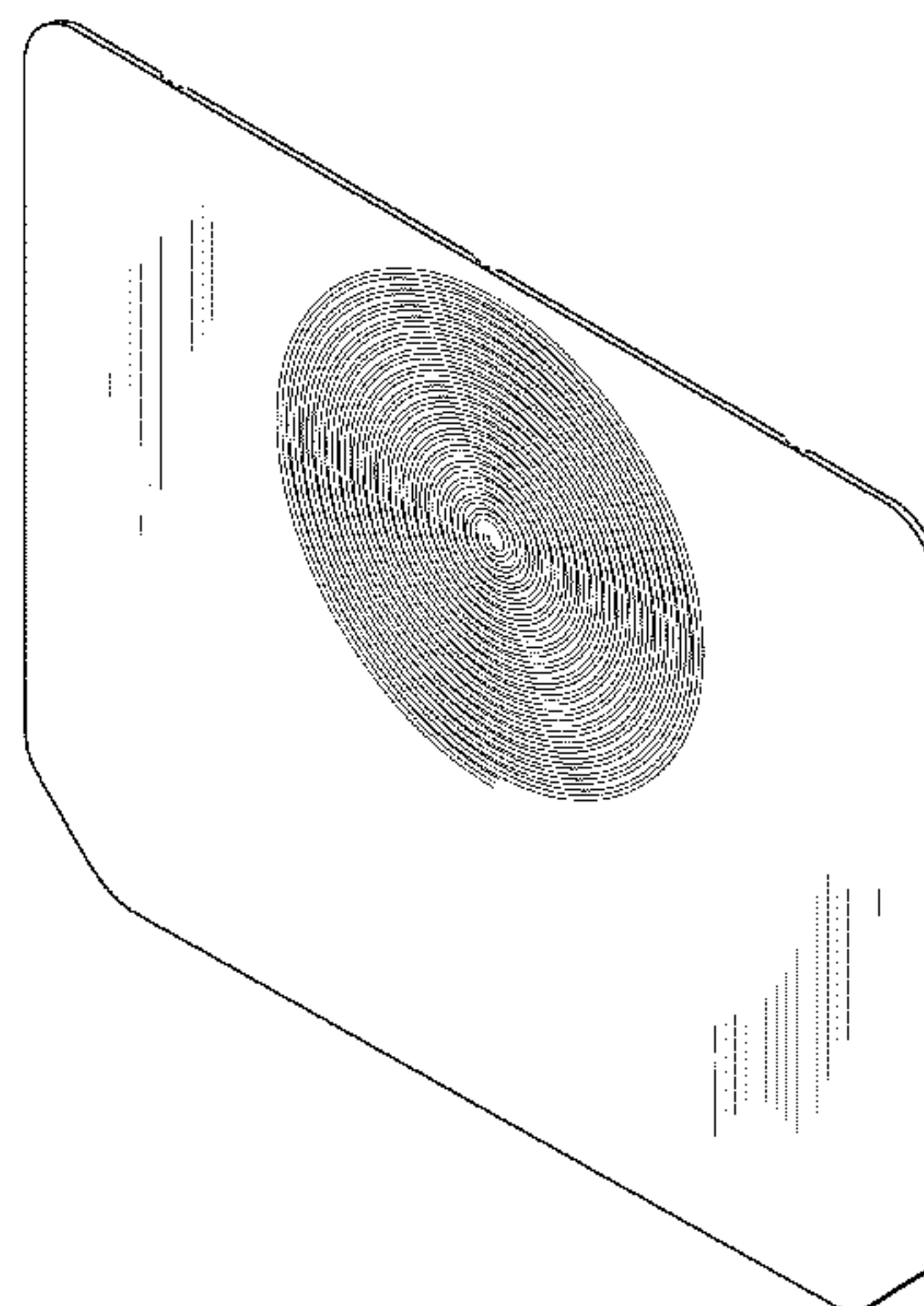
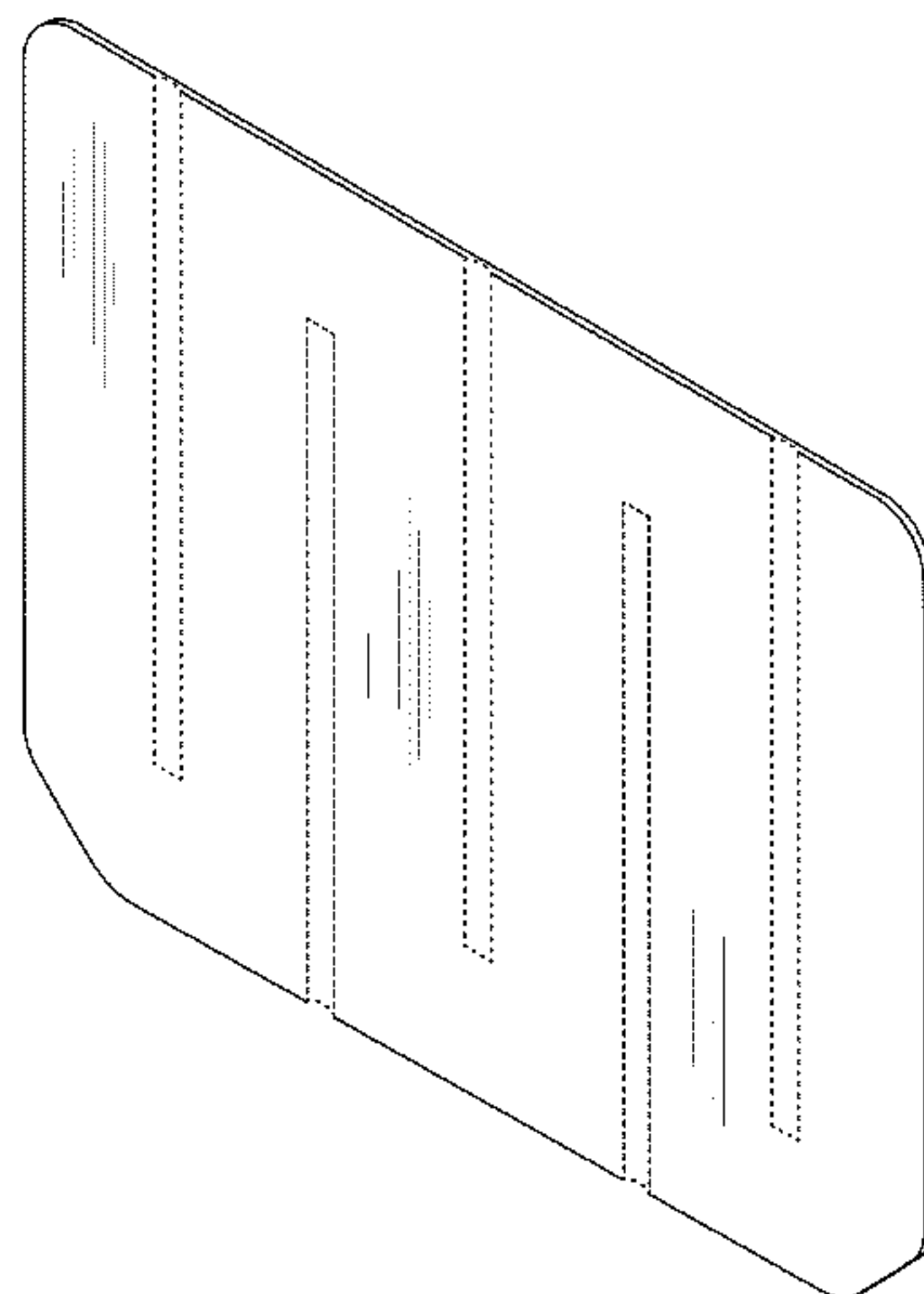
FIG. 6 is a rear view of the mobile phone radiation shield of FIG. 1.

FIG. 7 is a top view of the mobile phone radiation shield of FIG. 1, shown in enlarged scale; and,

FIG. 8 is a bottom view of the mobile phone radiation shield of FIG. 1, shown in enlarged scale.

The broken lines in the drawing figures depict unclaimed portions of the mobile phone radiation shield and form no part of the claimed design.

1 Claim, 6 Drawing Sheets



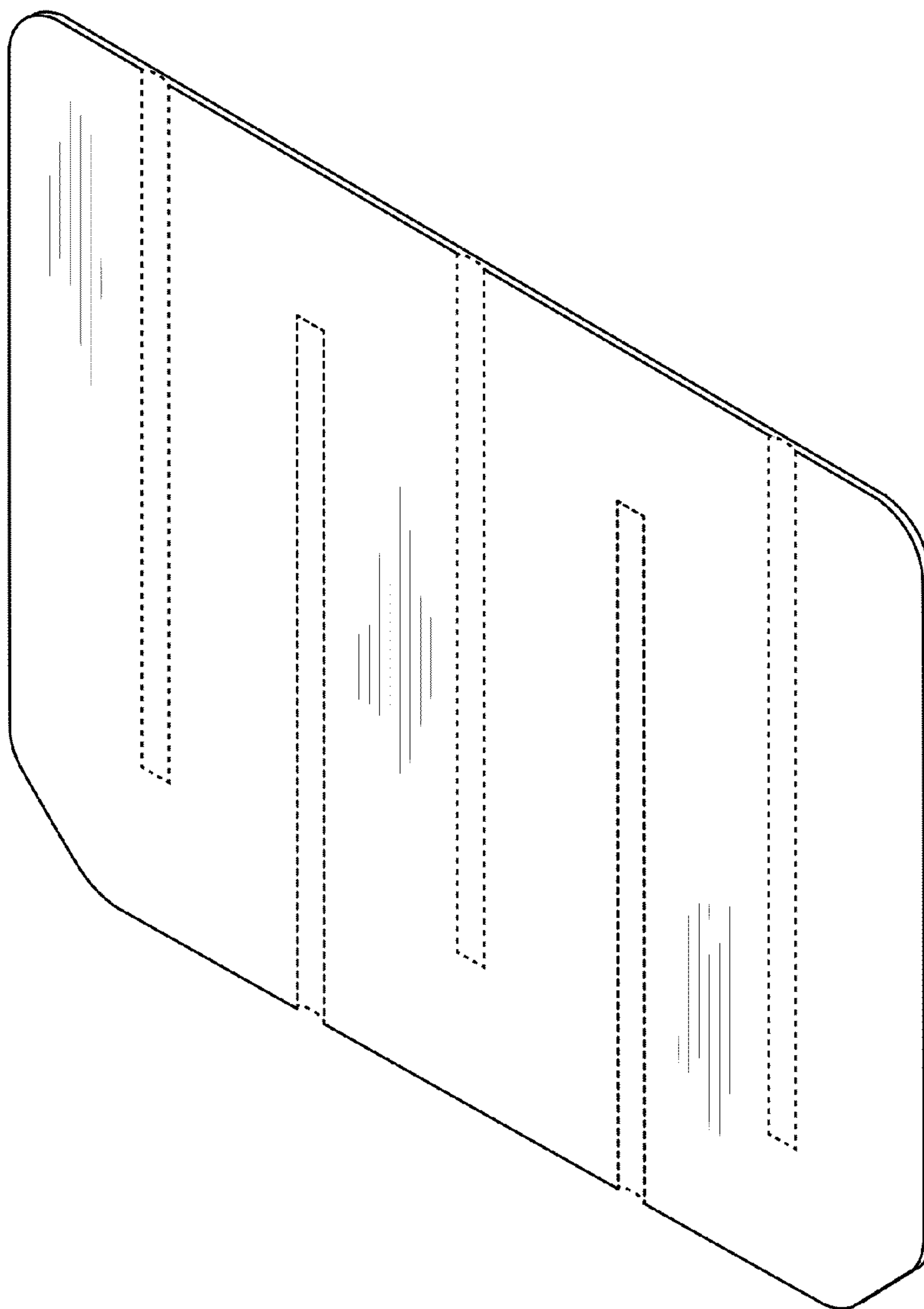


FIG. 1

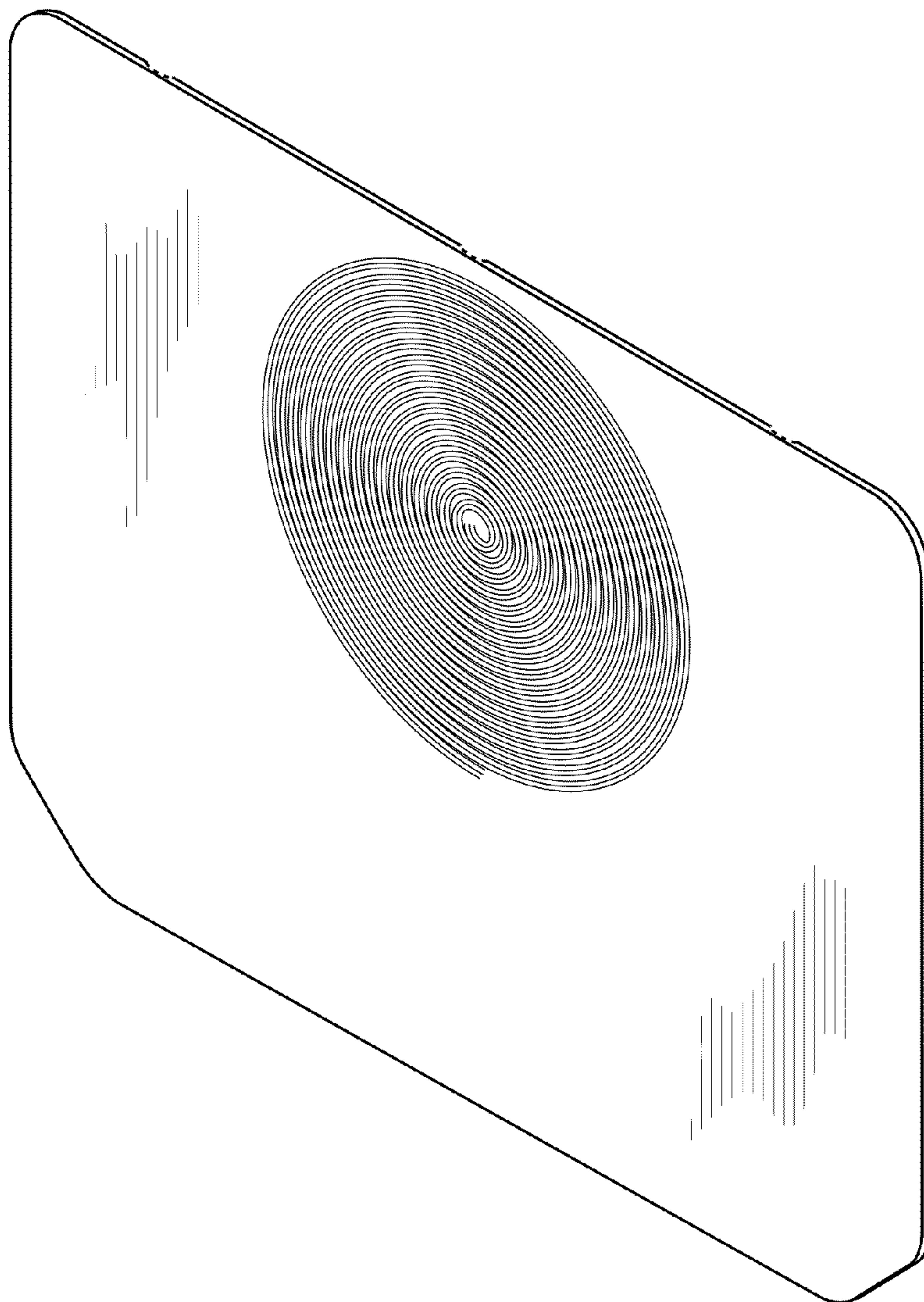


FIG. 2

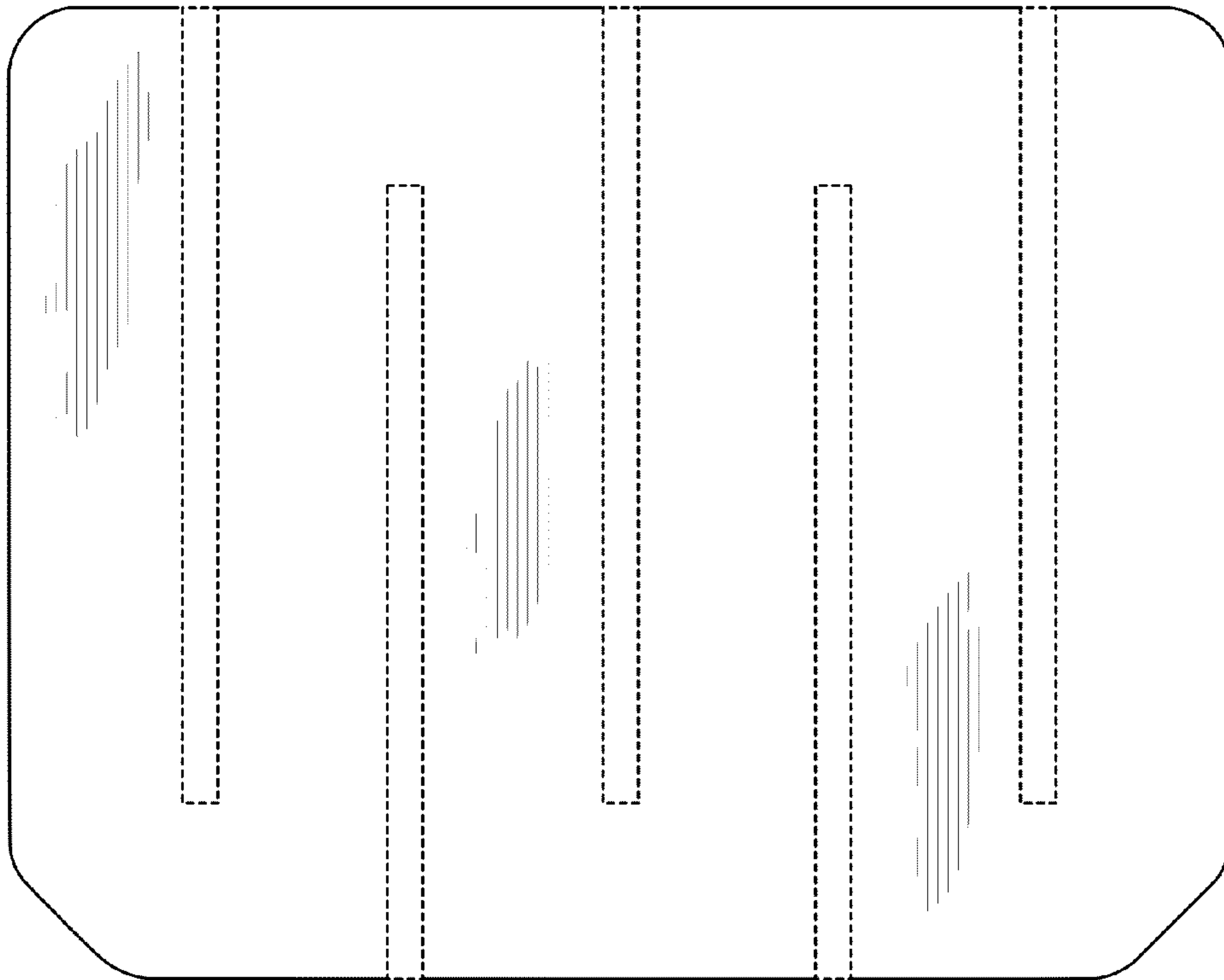


FIG. 3

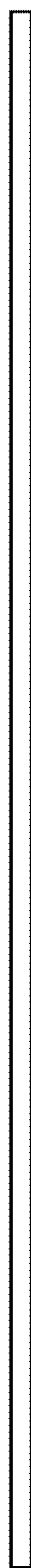


FIG. 4



FIG. 5

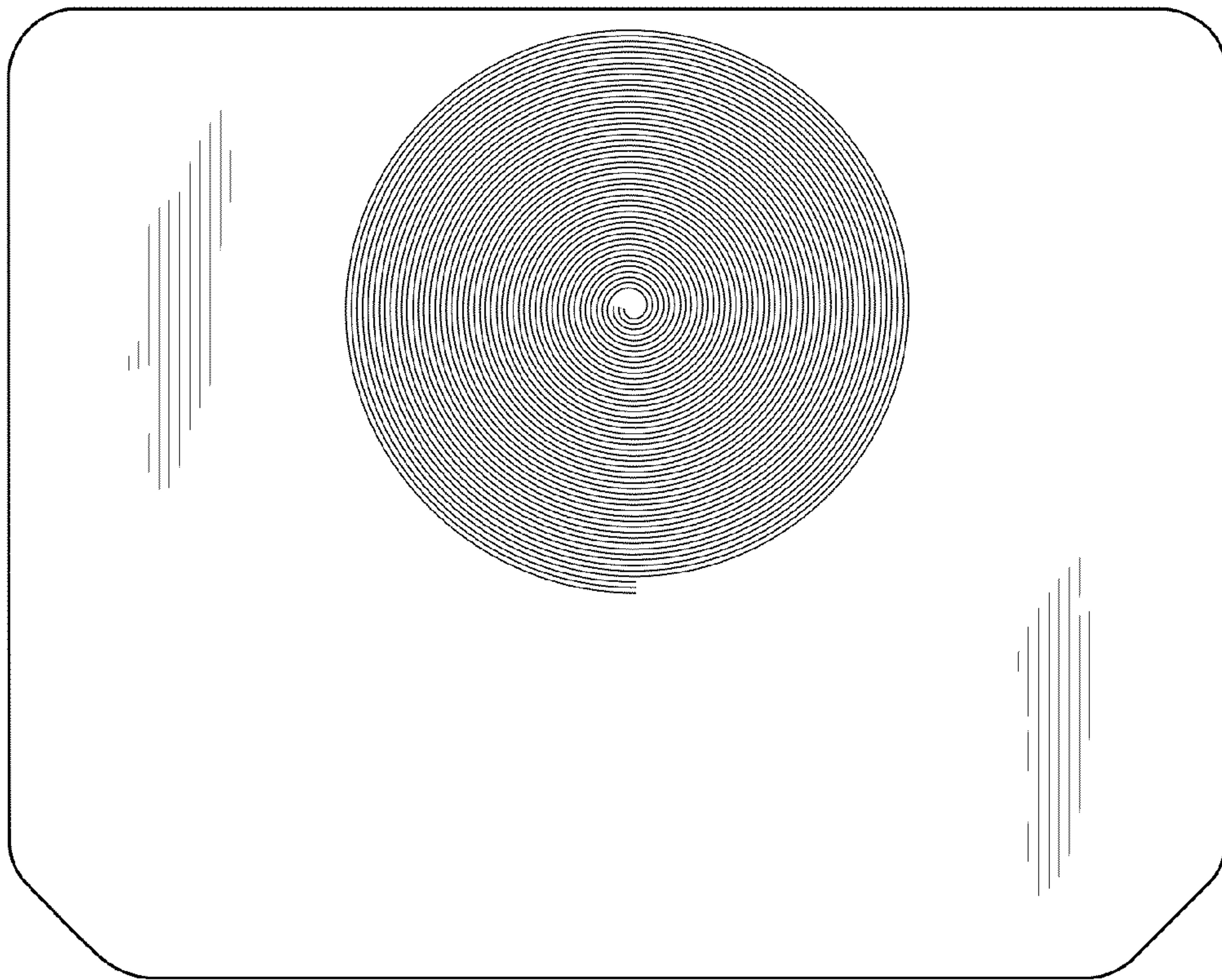


FIG. 6



FIG. 7



FIG. 8