



US00D745494S

(12) **United States Design Patent**
Wise et al.

(10) **Patent No.:** **US D745,494 S**

(45) **Date of Patent:** **** Dec. 15, 2015**

(54) **MICROPHONE**

(71) Applicant: **GIBSON BRANDS, INC.**, Nashville, TN (US)

(72) Inventors: **Bernard Wise**, Agoura, CA (US);
Martins Saulespurens, Thousand Oaks, CA (US); **Martin Wolf**, Valencia, CA (US)

(73) Assignee: **Gibson Brands, Inc.**, Nashville, TN (US)

(**) Term: **14 Years**

(21) Appl. No.: **29/513,177**

(22) Filed: **Dec. 29, 2014**

(51) **LOC (10) Cl.** **14-01**

(52) **U.S. Cl.**
USPC **D14/227**

(58) **Field of Classification Search**
USPC D14/225, 226, 227, 228, 229, 214, 215, D14/216; D26/61, 63; D17/99; 181/194, 181/242; 381/390, 363, 361; 362/427
CPC H04R 1/00; H04R 1/02
See application file for complete search history.

(56) **References Cited**

U.S. PATENT DOCUMENTS

D112,756	S	*	12/1938	Marshall	D14/225
D150,458	S	*	8/1948	Pike	D14/227
D171,055	S	*	12/1953	Schelly	D14/225
D178,018	S	*	6/1956	Schell, Jr.	D14/225
D185,712	S	*	7/1959	Kamp	D14/225
3,399,856	A	*	9/1968	Pecaut	F21V 21/14 211/162
3,414,686	A	*	12/1968	Reinthal	H04R 1/08 181/242

D220,108	S	*	3/1971	Van de Pol	D14/228
3,573,401	A	*	4/1971	Lining	F21V 21/14 211/162
4,047,017	A	*	9/1977	Herring	F21V 21/145 362/118
D260,882	S	*	9/1981	McCain	D14/225
4,799,132	A	*	1/1989	Perlsweig	B43K 29/10 362/118
D327,480	S	*	6/1992	Soren	D14/229
D376,586	S	*	12/1996	Shinano	D14/227
D400,540	S	*	11/1998	Cruver, IV	D14/228
D447,131	S	*	8/2001	Hough	D14/228
D516,546	S	*	3/2006	Sobol	D14/228
D573,169	S	*	7/2008	Goto	D14/226
D579,597	S	*	10/2008	Ng	D26/61
D605,637	S	*	12/2009	Sank	D14/225
D627,501	S	*	11/2010	Lin	D26/65
2002/0048384	A1	*	4/2002	Chen	H04R 1/08 381/363

* cited by examiner

Primary Examiner — Paula Greene

(74) *Attorney, Agent, or Firm* — Bates & Bates, LLC

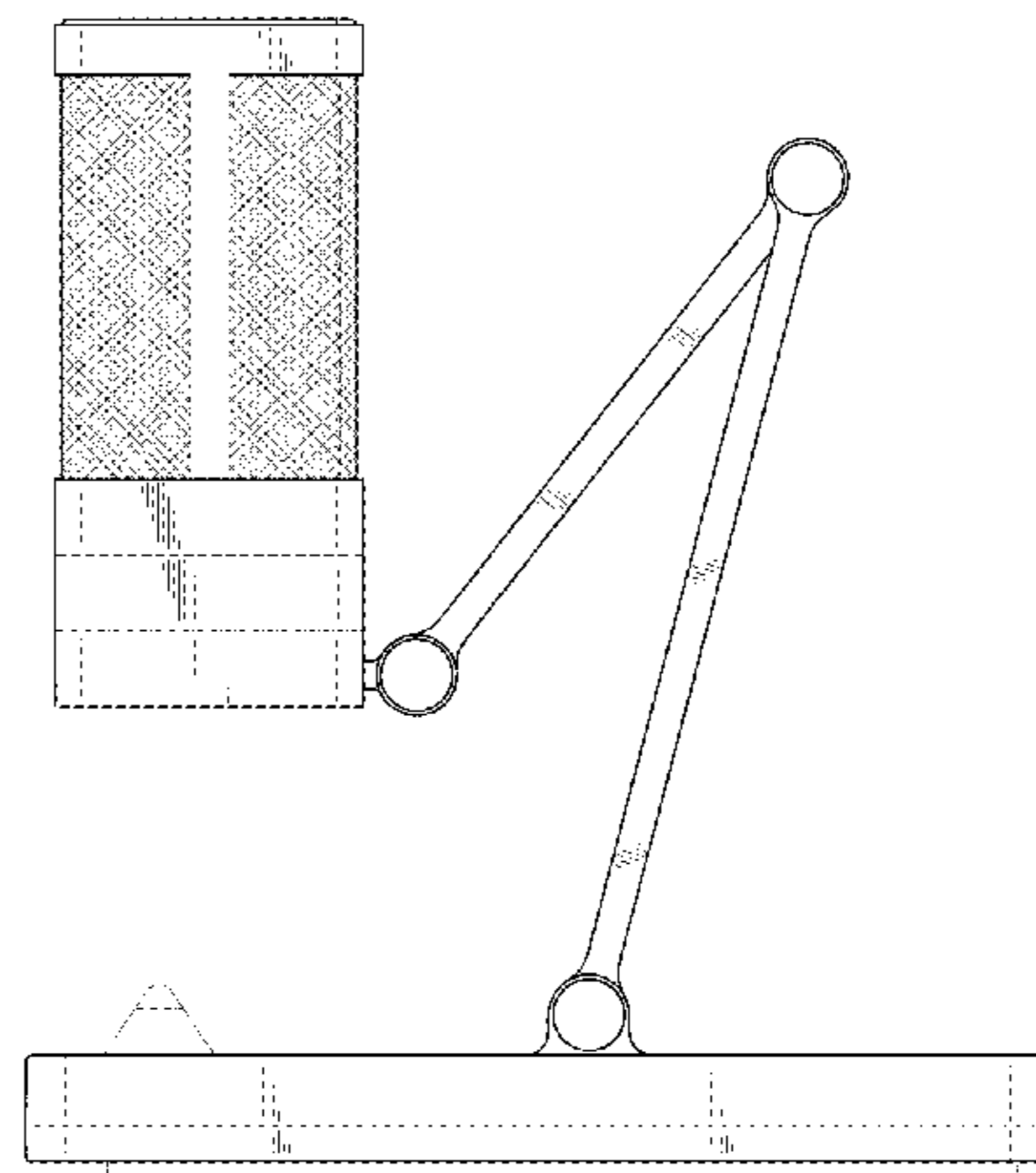
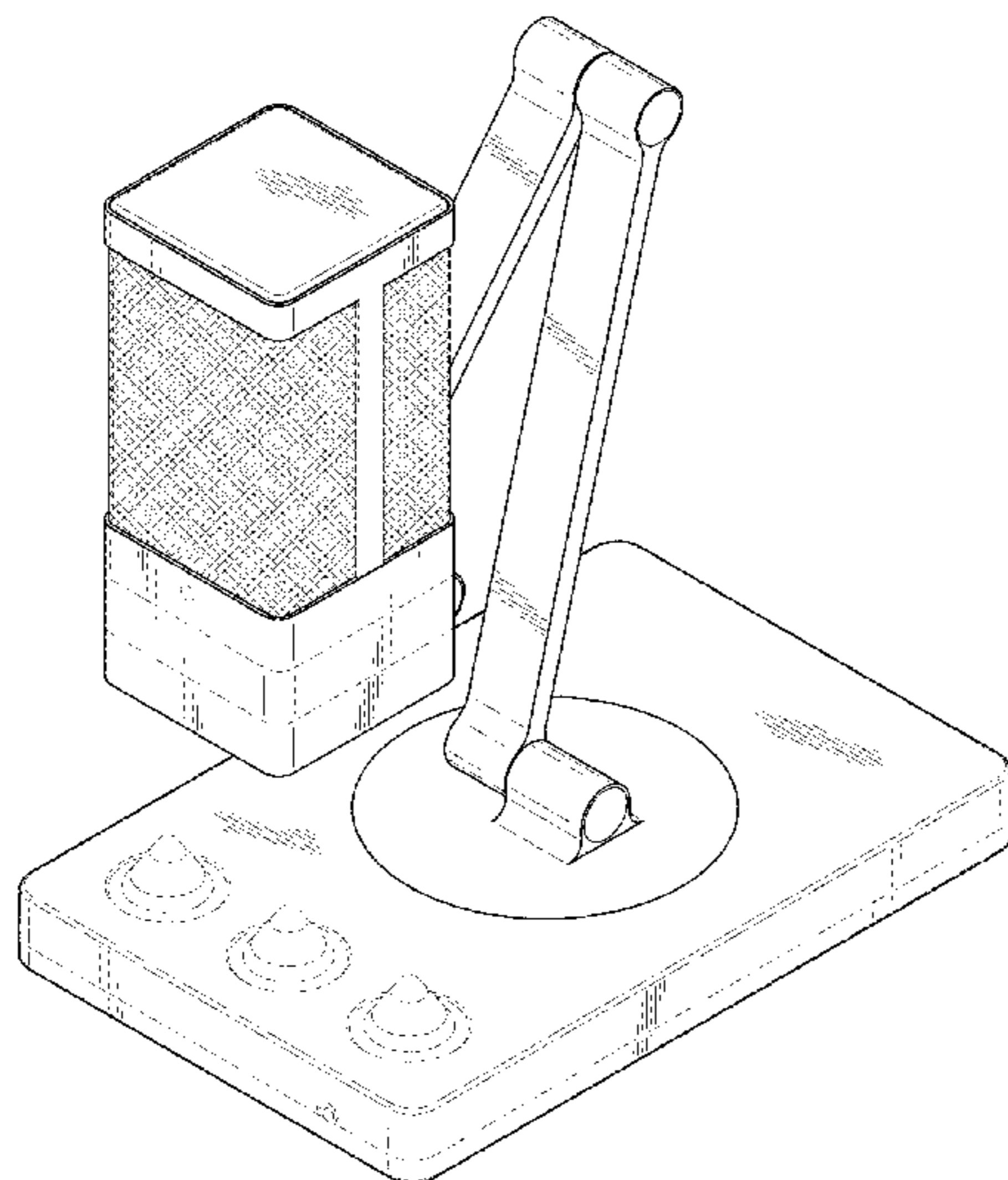
(57) **CLAIM**

What is claimed is the ornamental design for a microphone, as shown and described.

DESCRIPTION

FIG. 1 is a perspective view of a microphone; FIG. 2 is a front view of the microphone; FIG. 3 is a back view of the microphone; FIG. 4 is a left side view of the microphone; FIG. 5 is a right side view of the microphone; FIG. 6 is a top view of the microphone; FIG. 7 is a bottom view of the microphone; and, FIG. 8 is a contextual perspective view of the microphone showing a mouth piece cover. The broken lines form no part of the claimed design.

1 Claim, 8 Drawing Sheets



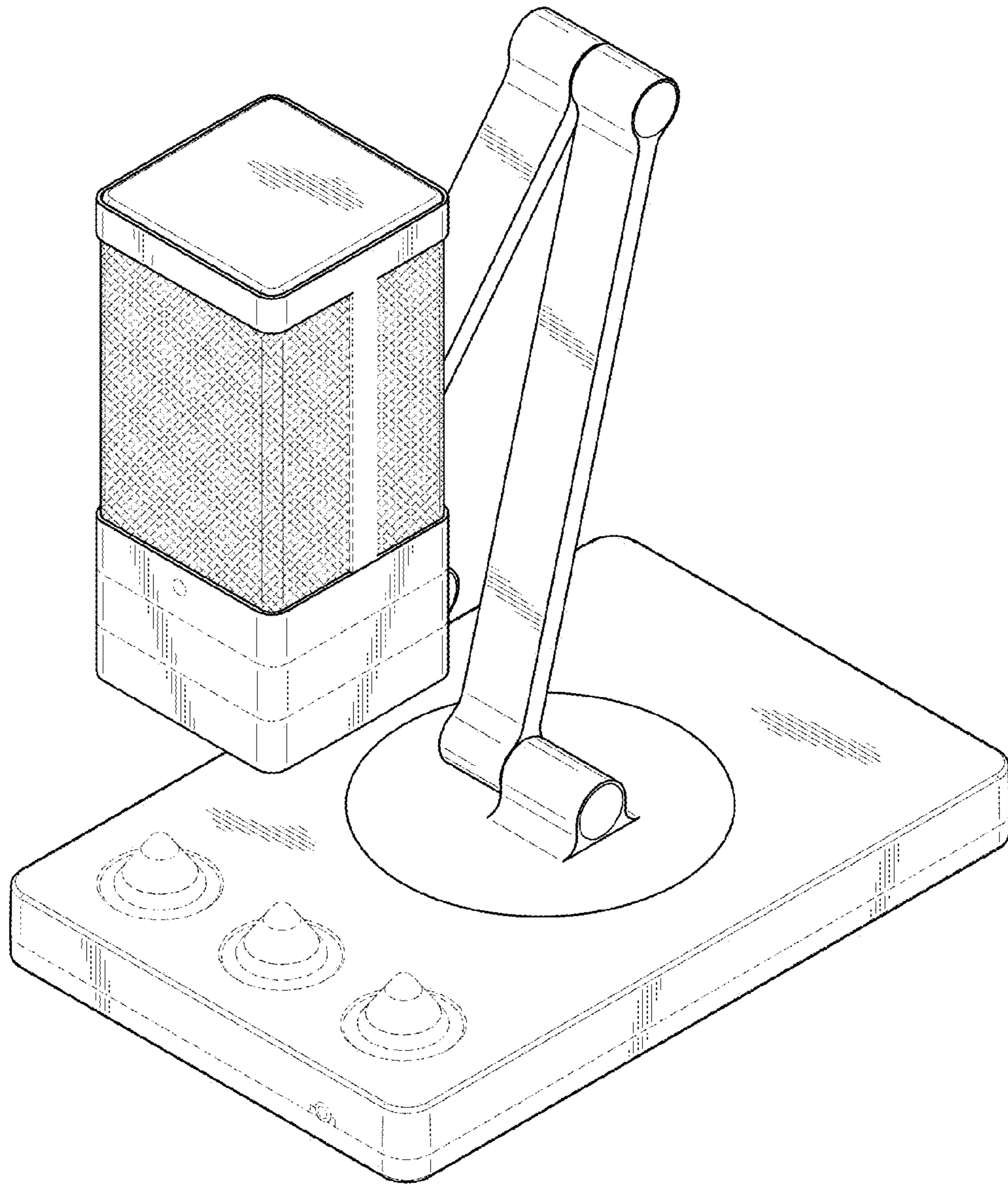


FIG. 1

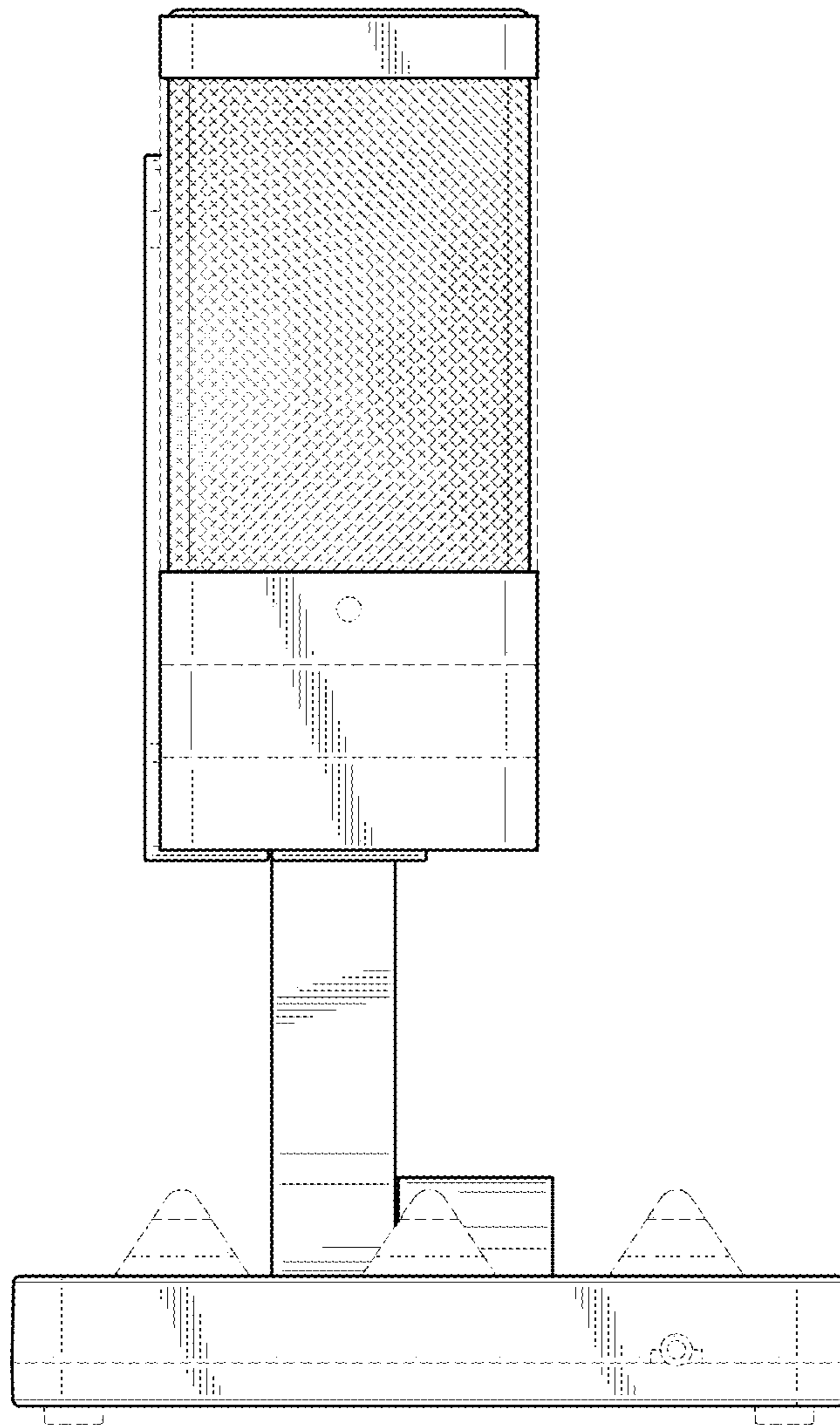


FIG. 2

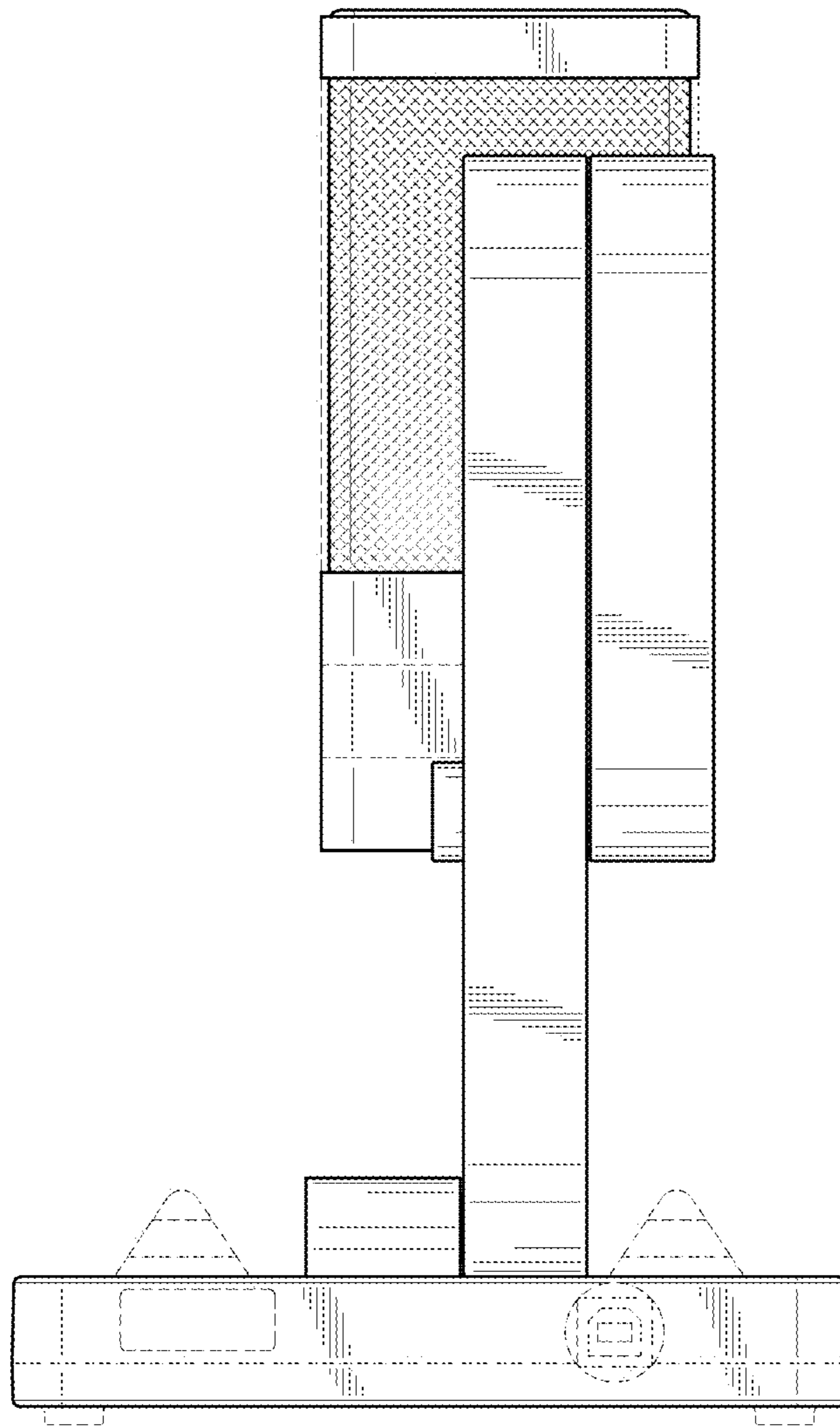


FIG. 3

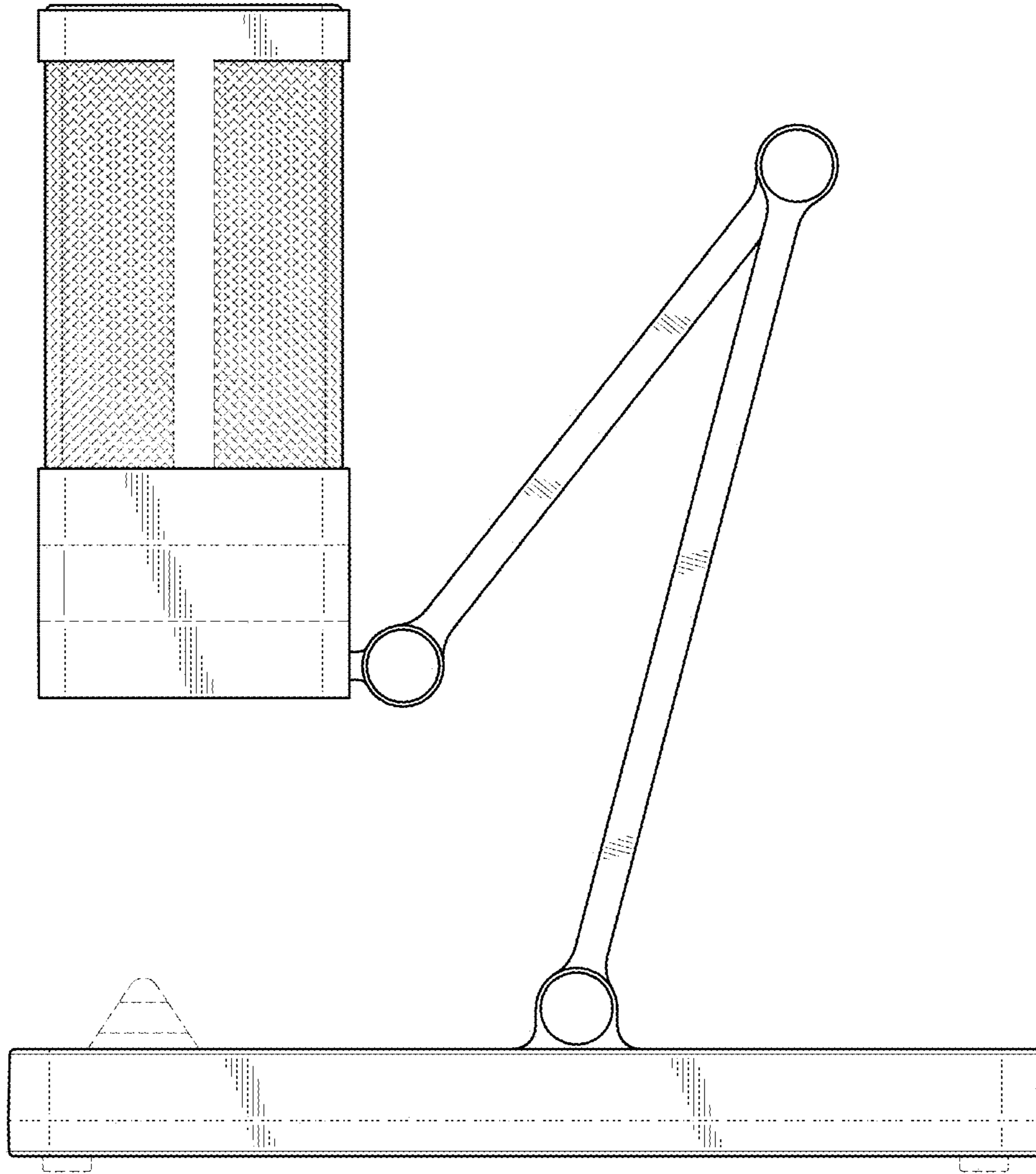


FIG. 4

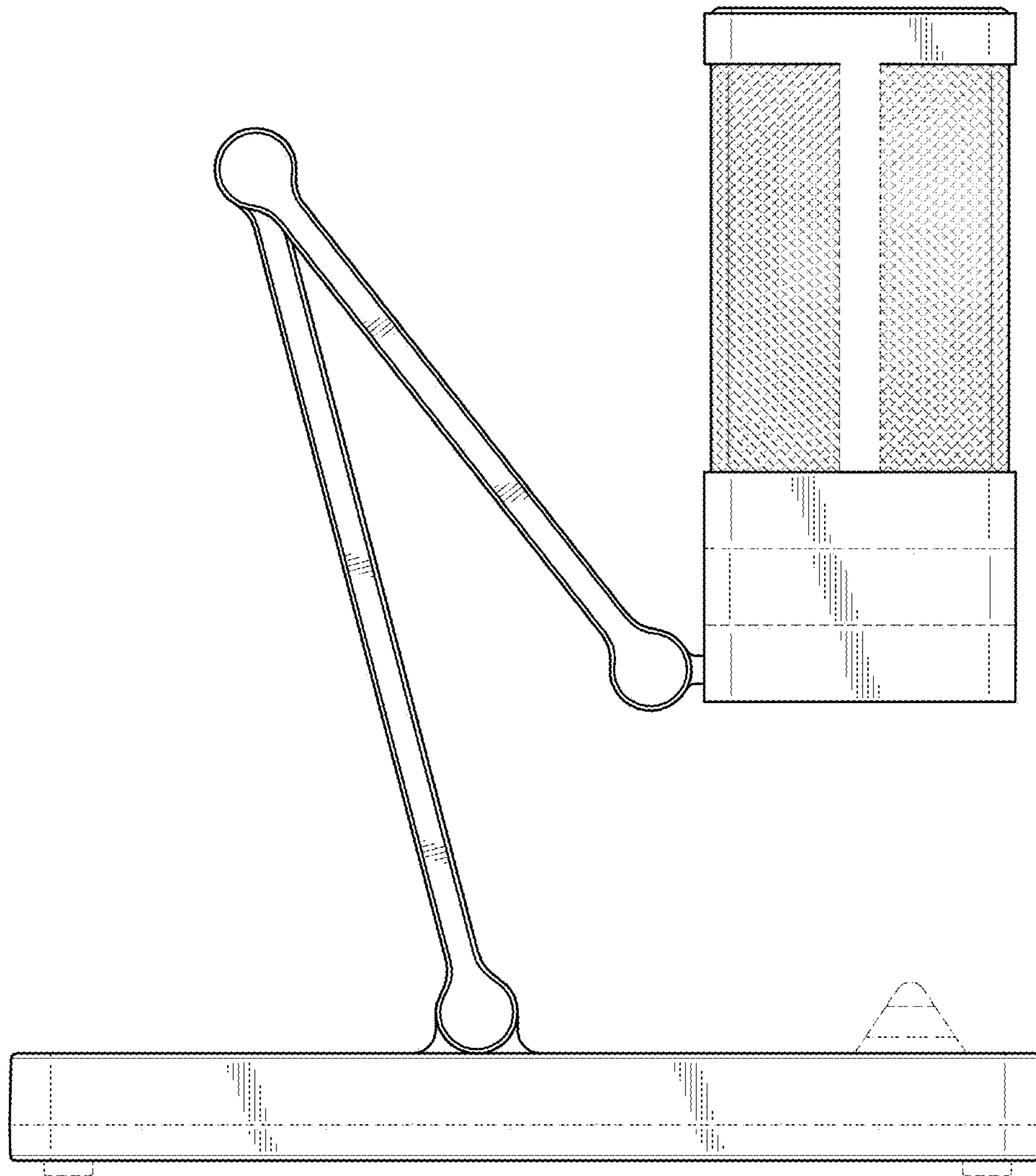


FIG. 5

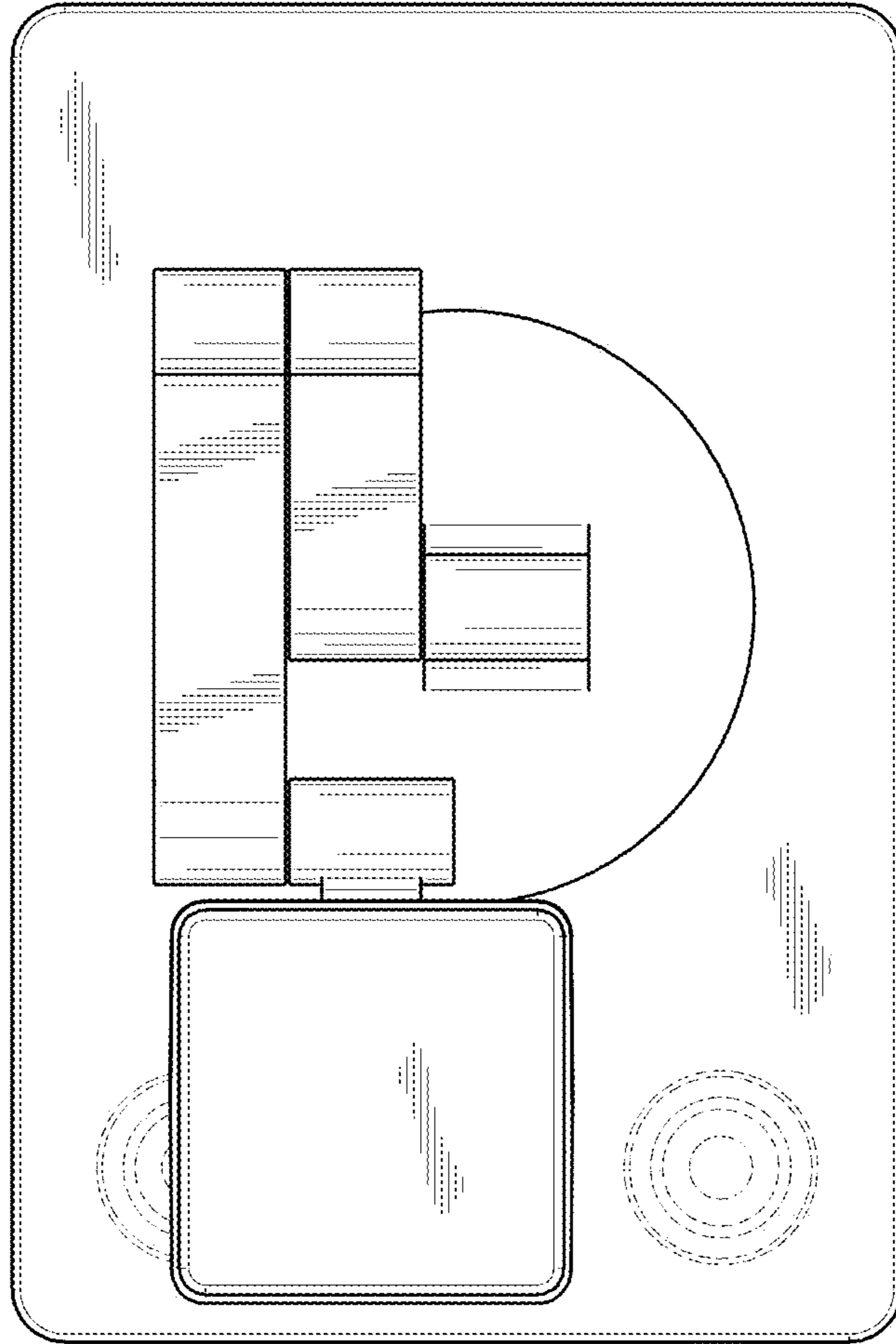


FIG. 6

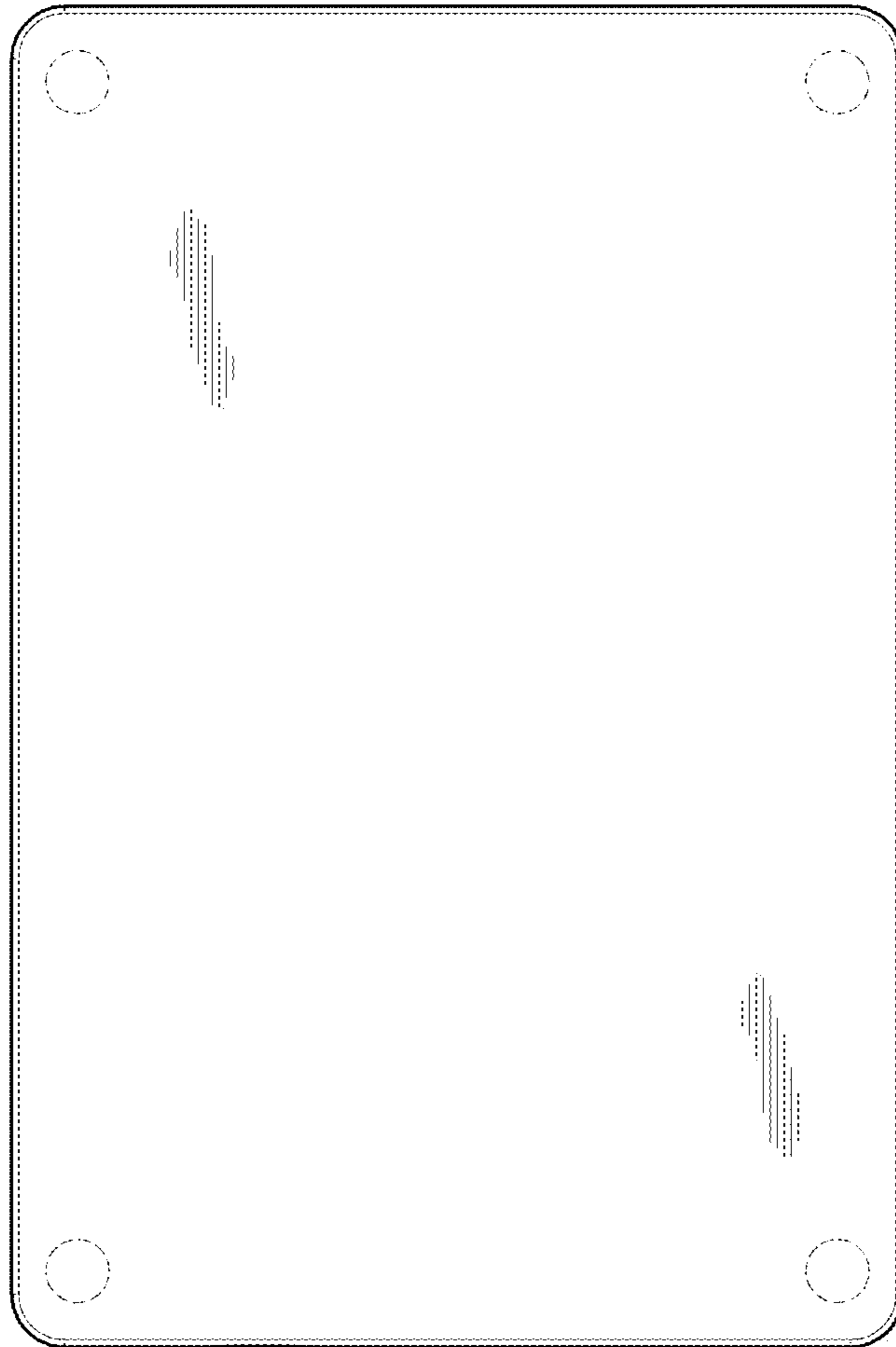


FIG. 7

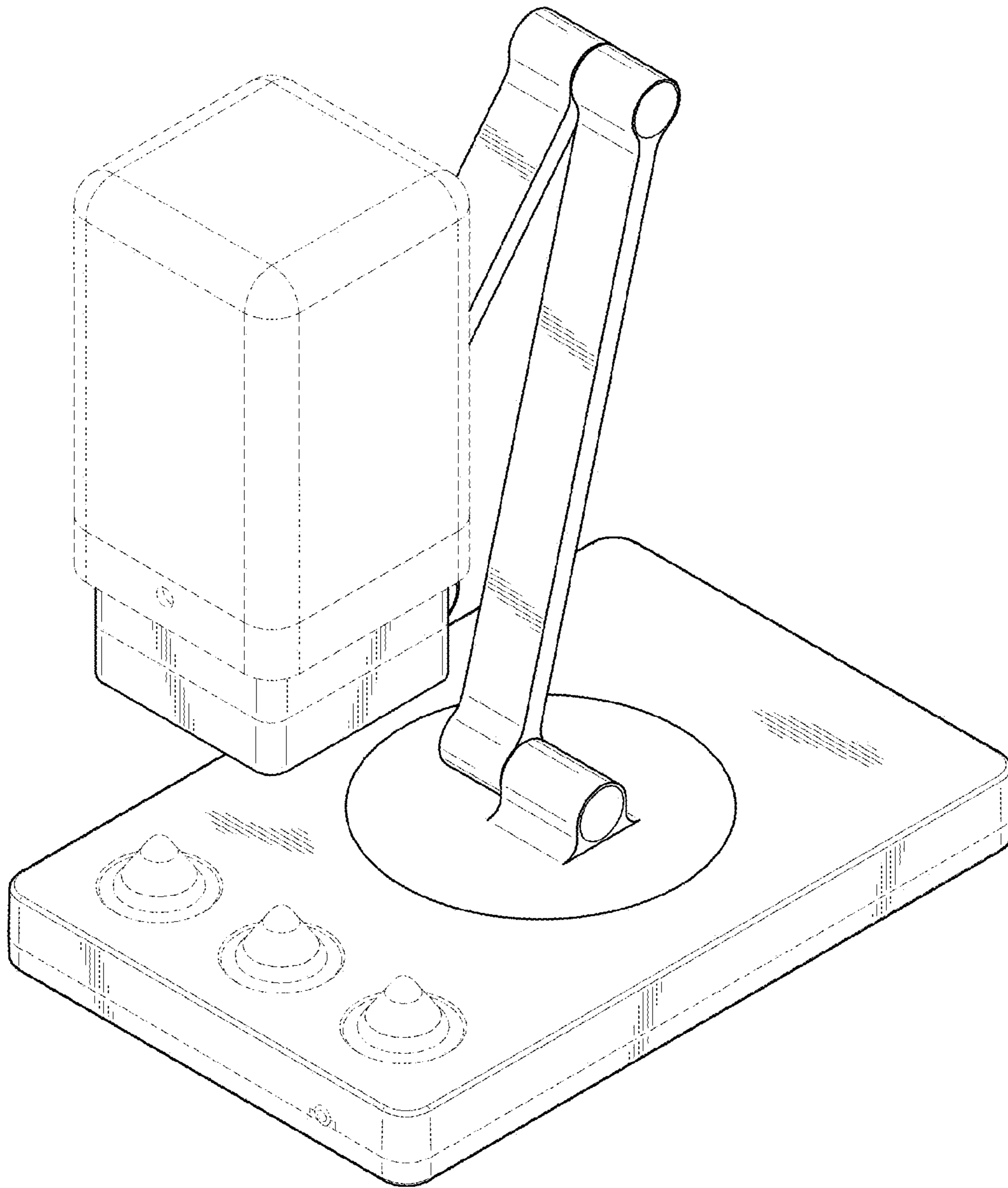


FIG. 8