



US00D745493S

(12) **United States Design Patent**
Nader

(10) **Patent No.:** **US D745,493 S**

(45) **Date of Patent:** **** Dec. 15, 2015**

(54) **HEADPHONE**

(71) Applicant: **Underwater Audio LLC**, Corvallis, OR
(US)

(72) Inventor: **Mark G. Nader**, Colorado Springs, CO
(US)

(**) Term: **14 Years**

(21) Appl. No.: **29/509,568**

(22) Filed: **Nov. 19, 2014**

(51) **LOC (10) Cl.** **14-01**

(52) **U.S. Cl.**
USPC **D14/223**; D14/205

(58) **Field of Classification Search**
USPC D14/223, 205; D24/174; 181/129, 130,
181/135; 379/430, 431; 381/311, 322, 338,
381/328, 380, 381; 128/864, 865, 866, 867,
128/868

CPC H04R 25/02
See application file for complete search history.

(56) **References Cited**

U.S. PATENT DOCUMENTS

2,325,590	A *	7/1943	Carlisle et al.	381/328
2,344,023	A *	3/1944	Carlisle et al.	381/328
2,377,739	A *	6/1945	Wyckoff	181/132
2,430,229	A *	11/1947	Kelsey	381/338
2,619,960	A *	12/1952	Reynolds	128/868
2,785,675	A *	3/1957	Berkman	128/867
2,804,932	A *	9/1957	Bedard	181/132
3,440,365	A *	4/1969	Hazell et al.	379/430
4,456,797	A *	6/1984	Olsen	381/311
4,532,649	A *	7/1985	Bellafore	381/324
4,565,258	A *	1/1986	Butler et al.	381/311
4,657,106	A *	4/1987	Hardt	381/324
5,881,729	A *	3/1999	Castillo	128/864
6,574,345	B1 *	6/2003	Huang	381/380
D519,103	S *	4/2006	Sabick et al.	D14/205
D532,770	S *	11/2006	Engstrom et al.	D14/205

D557,253	S *	12/2007	Engstrom et al.	D14/205
D557,254	S *	12/2007	Engstrom et al.	D14/205
D563,945	S *	3/2008	Johns et al.	D14/205
D565,022	S *	3/2008	Belliveau et al.	D14/205
D575,767	S *	8/2008	Lee	D14/205
D591,722	S *	5/2009	Densho	D14/205
D603,380	S *	11/2009	Hutchieson	D14/223
D619,122	S *	7/2010	Nomura	D14/223
D621,389	S *	8/2010	Nagayama et al.	D14/223
D627,766	S *	11/2010	Arimoto	D14/223
D631,034	S *	1/2011	Yeo	D14/205
D632,677	S *	2/2011	Brown et al.	D14/223
D632,678	S *	2/2011	Brown et al.	D14/223
D660,292	S *	5/2012	Rautiainen	D14/223
D666,581	S *	9/2012	Perez	D14/223
D705,760	S *	5/2014	Drambarean	D14/223
D719,139	S *	12/2014	Henry et al.	D14/223
2011/0228947	A1 *	9/2011	Killion et al.	381/72

* cited by examiner

Primary Examiner — Paula Greene

(74) *Attorney, Agent, or Firm* — Edward E. Sowers;
Brannon Sowers & Cracraft PC

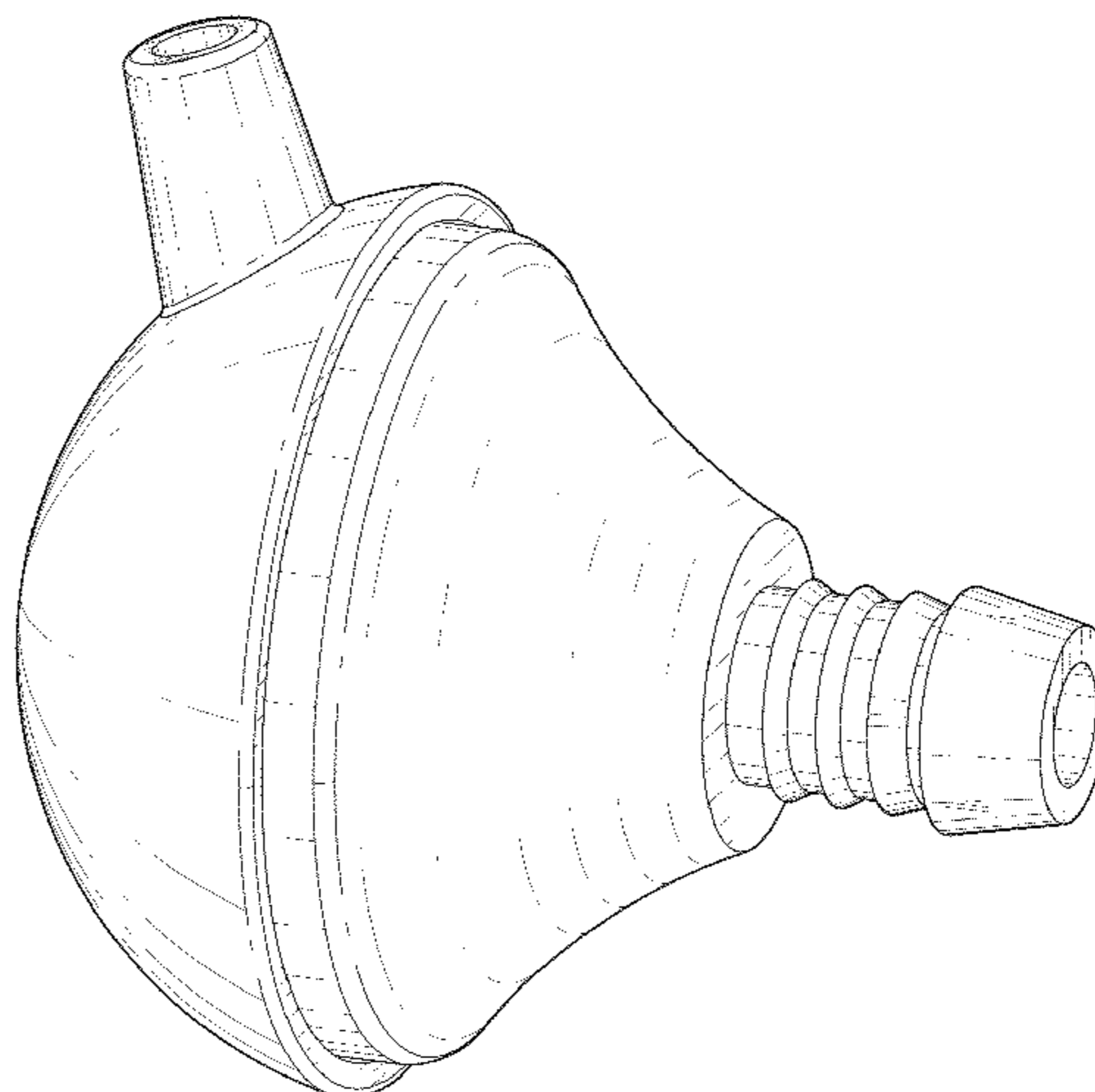
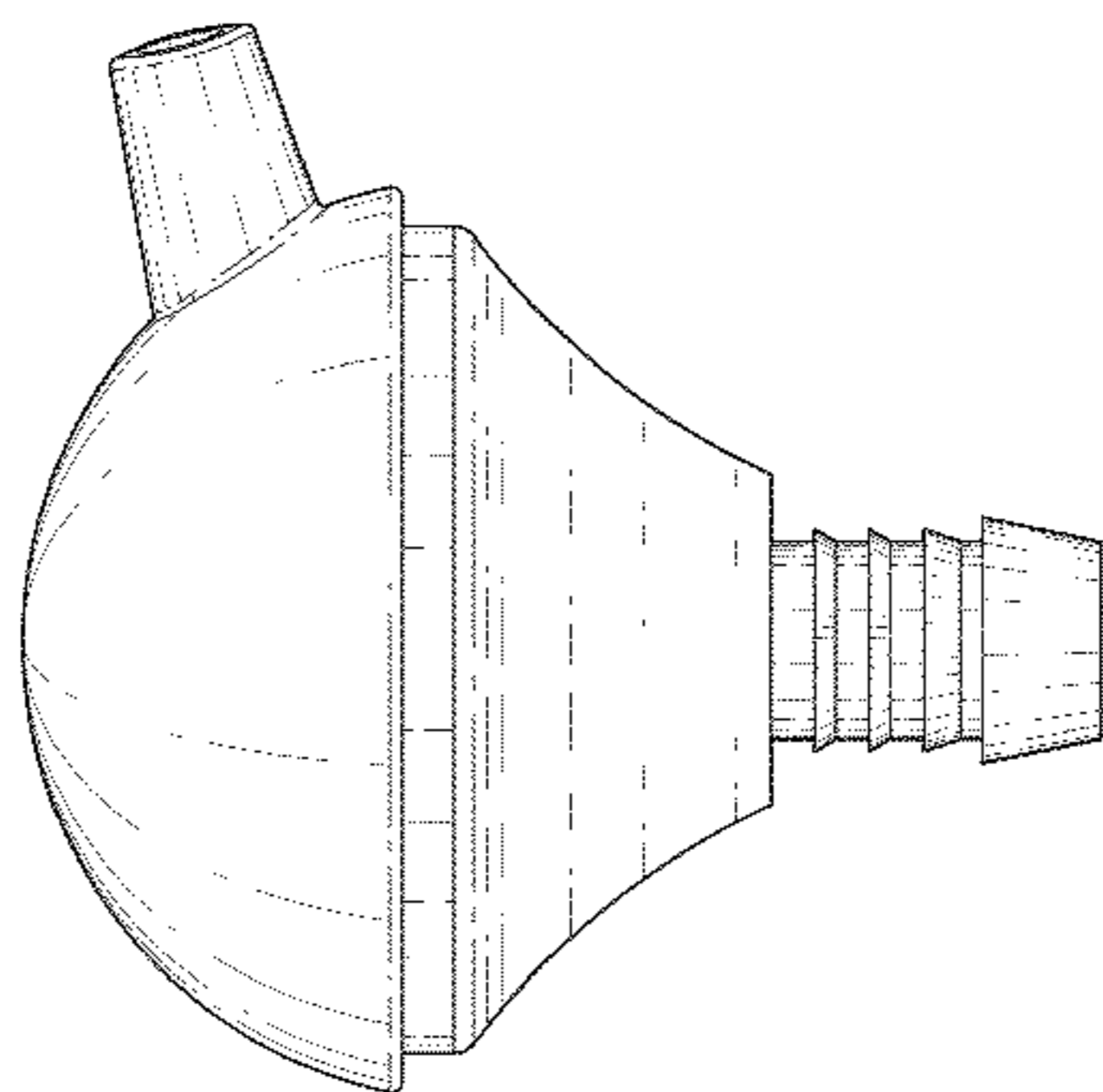
(57) **CLAIM**

The ornamental design for a headphone, as shown and described.

DESCRIPTION

FIG. 1 is a top view of the headphone;
FIG. 2 is a cross sectional view of the headphone taken along line 2-2 of FIG. 1;
FIG. 3 is a view of the right side of the headphone. The view from the left side being a mirror image thereof;
FIG. 4 is a rear view of the headphone;
FIG. 5 is a front view of the headphone;
FIG. 6 is a bottom view of the headphone; and,
FIG. 7 is an angled perspective view of the headphone.
The broken line of FIG. 1 is for illustrative purposes only and forms no part of the claimed design.

1 Claim, 4 Drawing Sheets



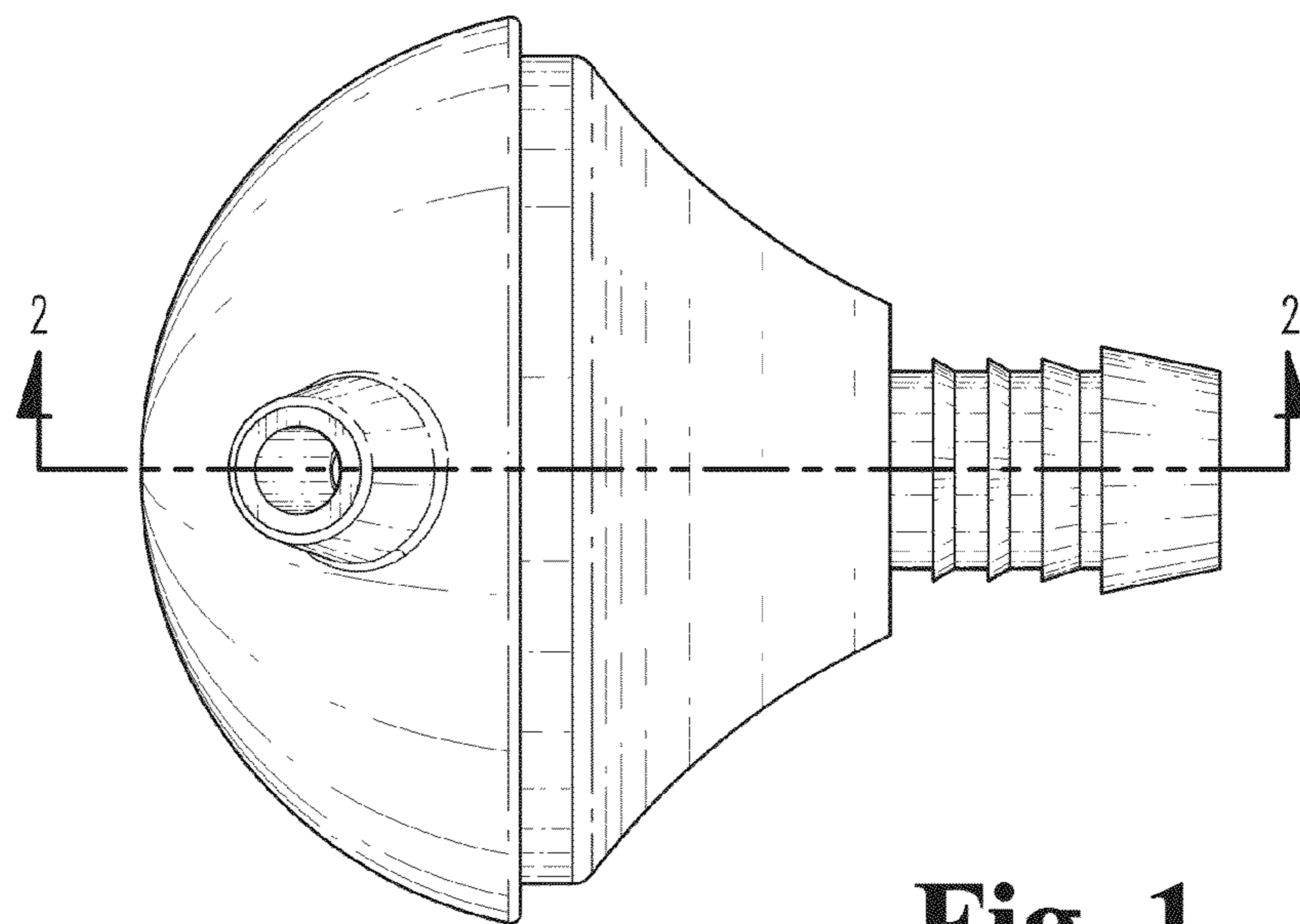


Fig. 1

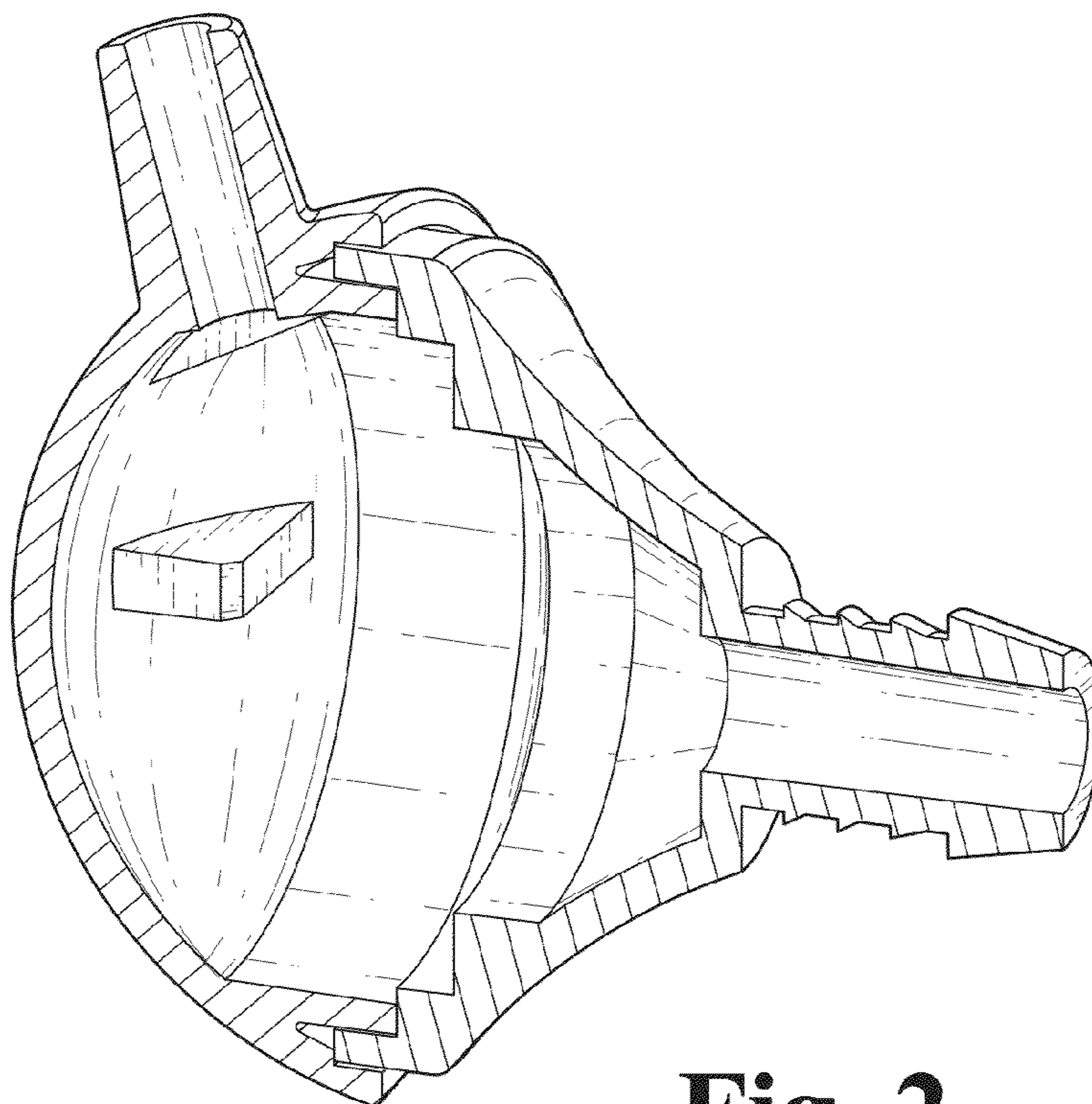


Fig. 2

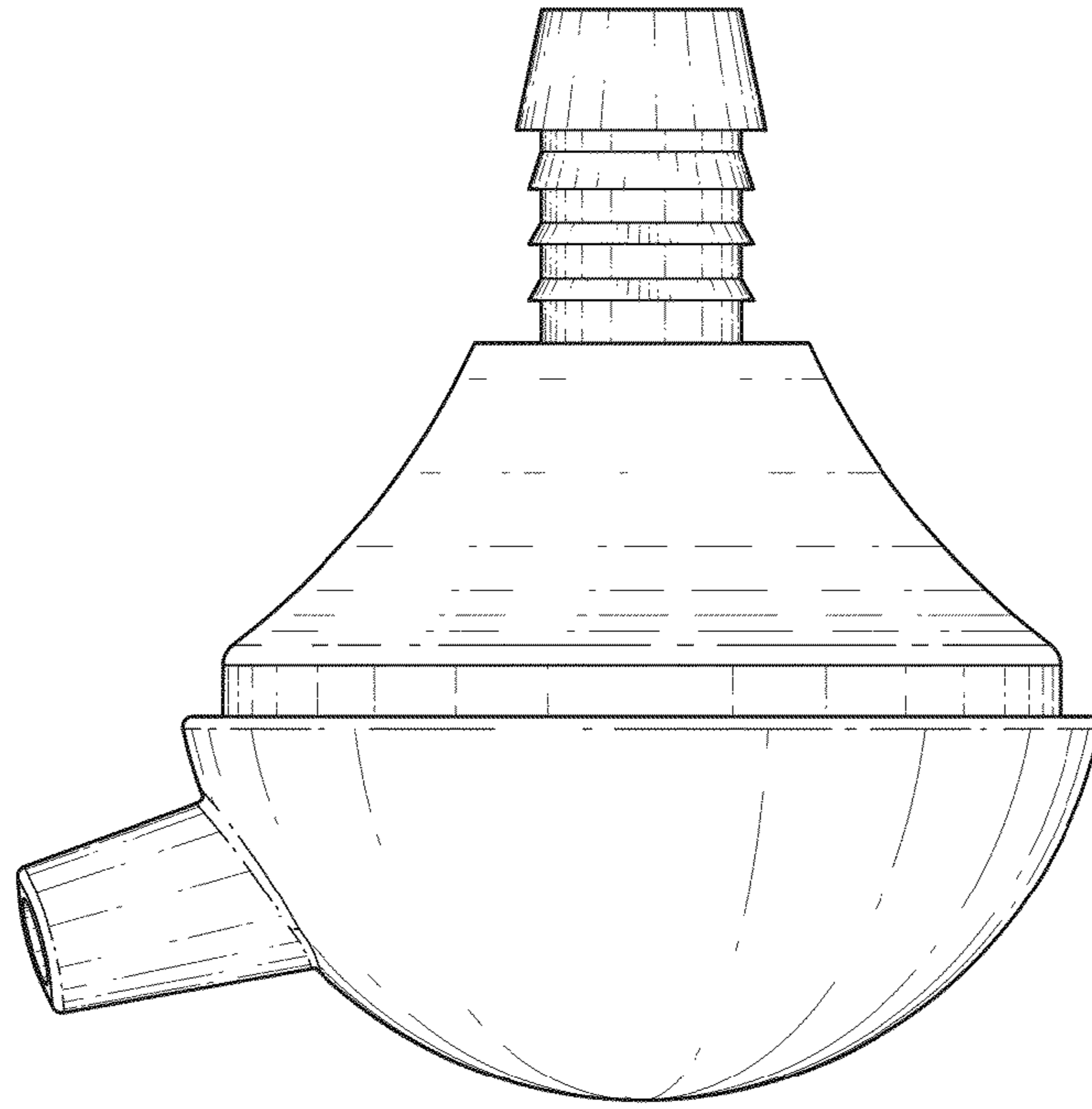


Fig. 3

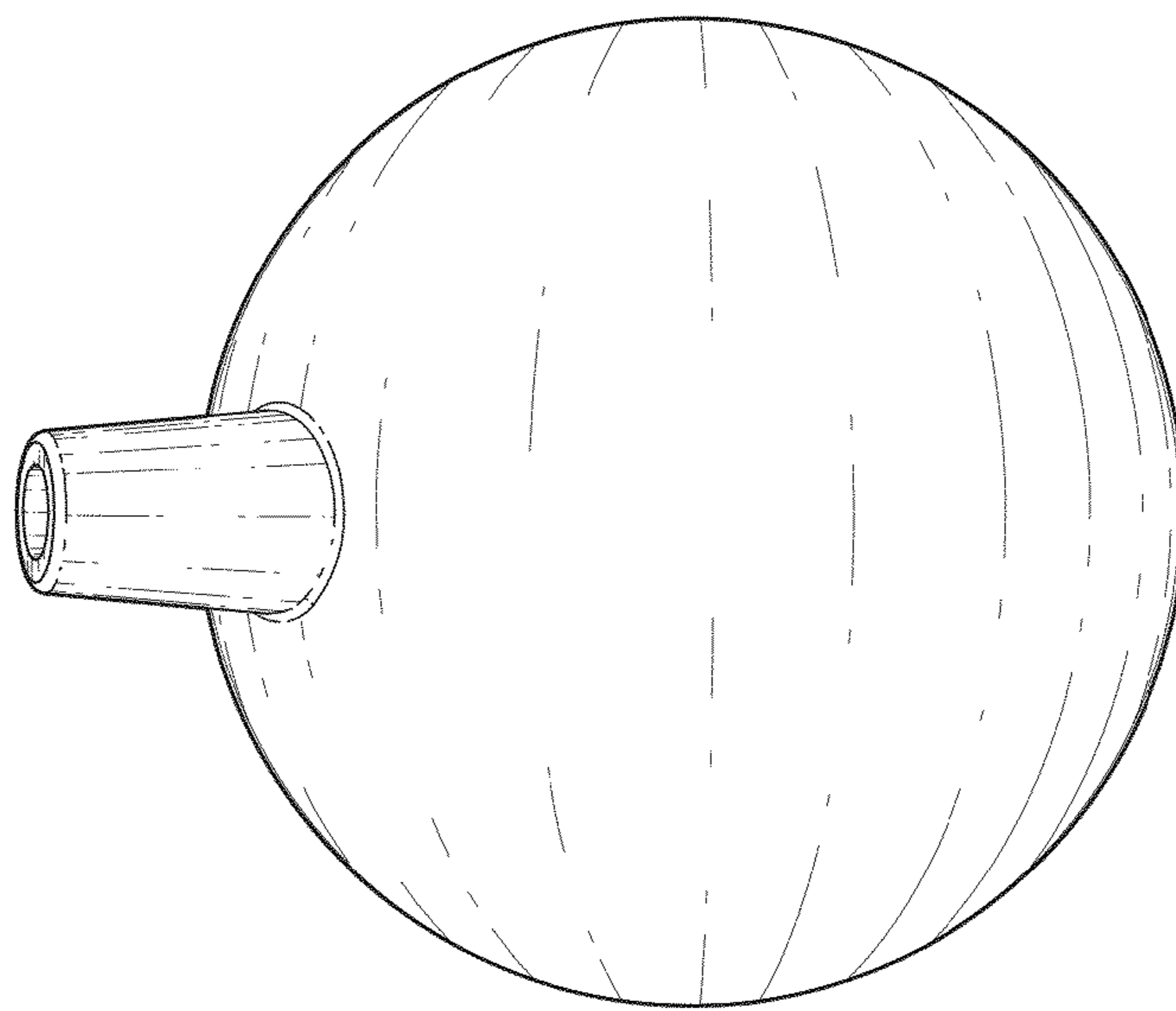


Fig. 4

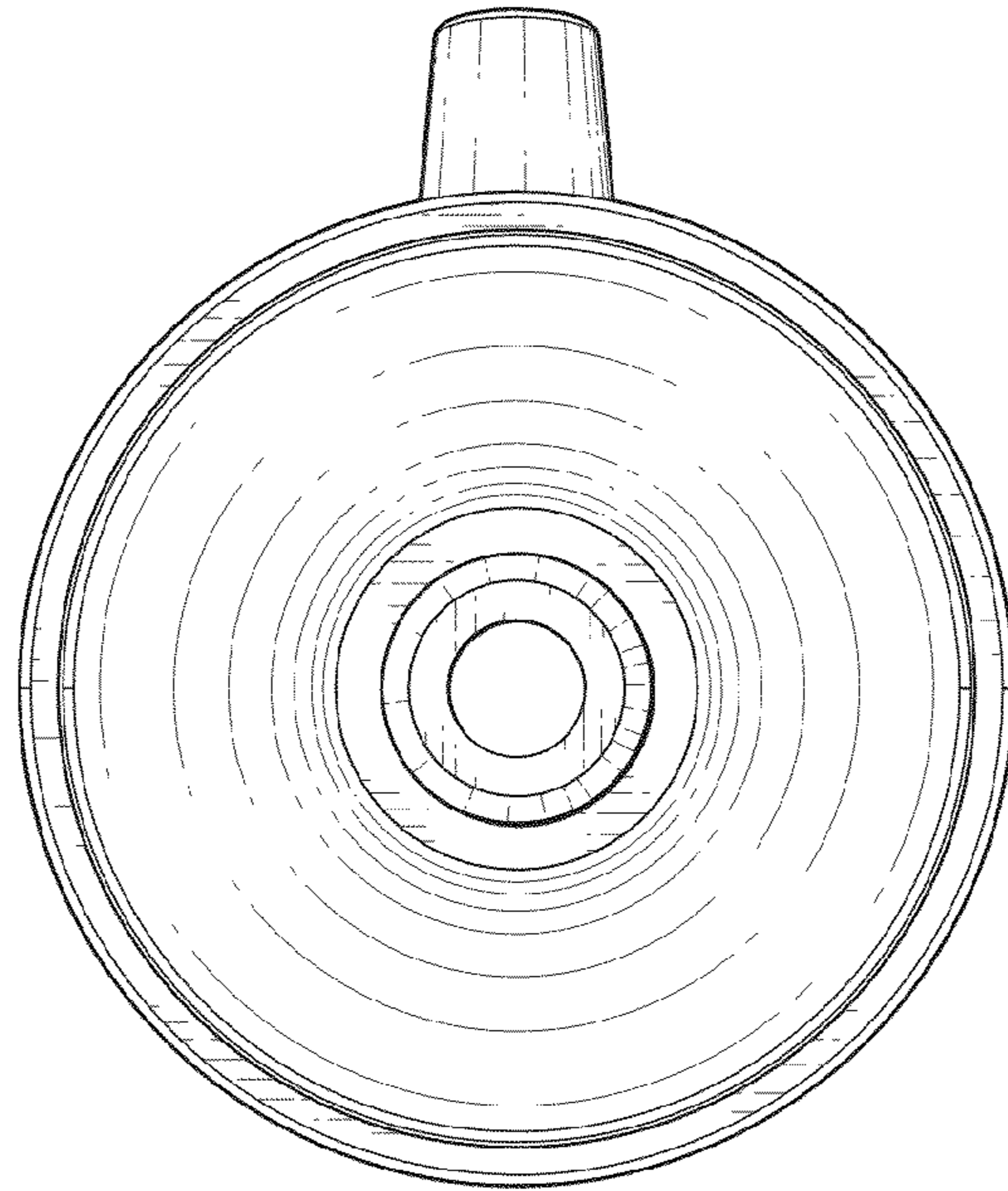


Fig. 5

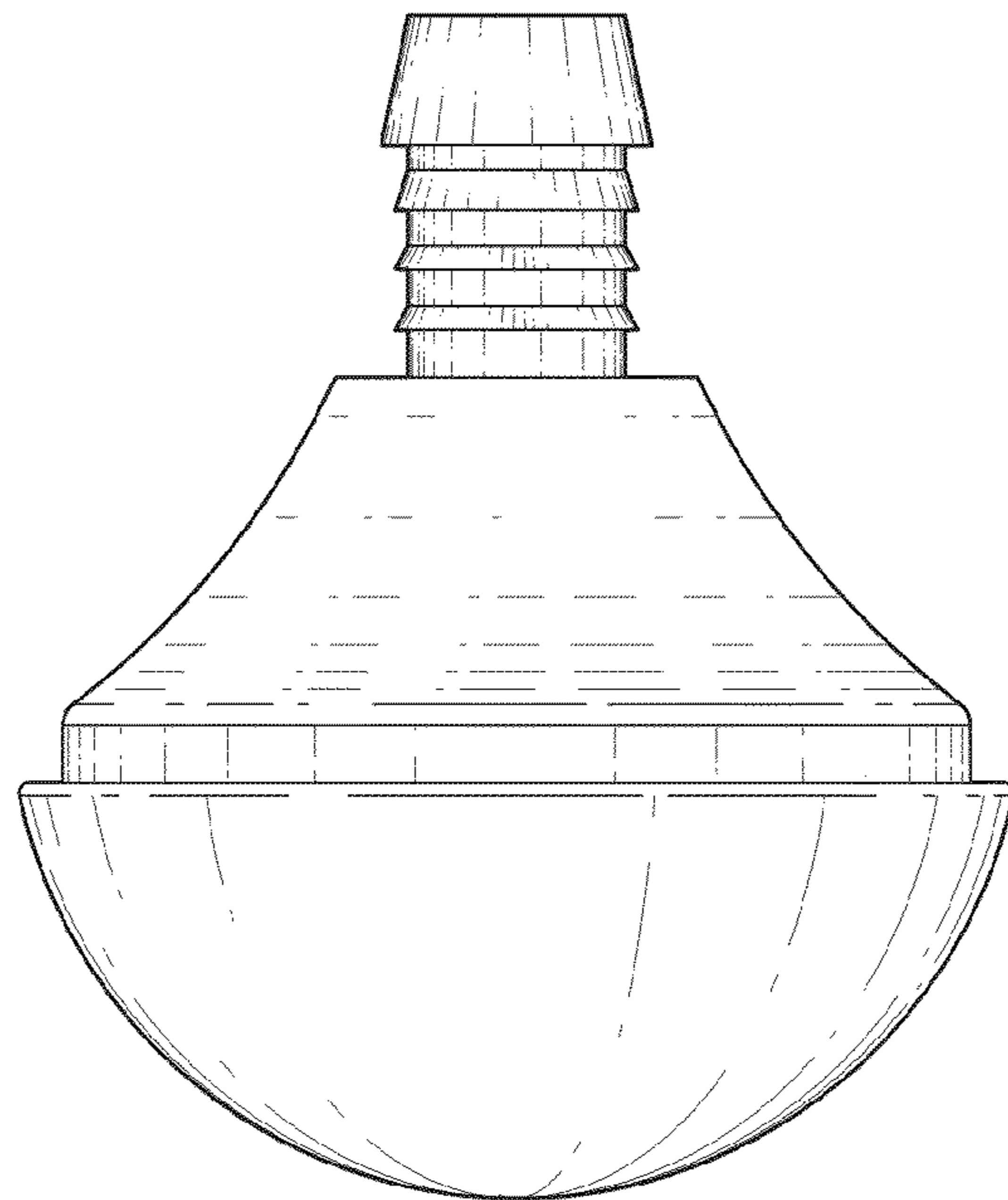


Fig. 6

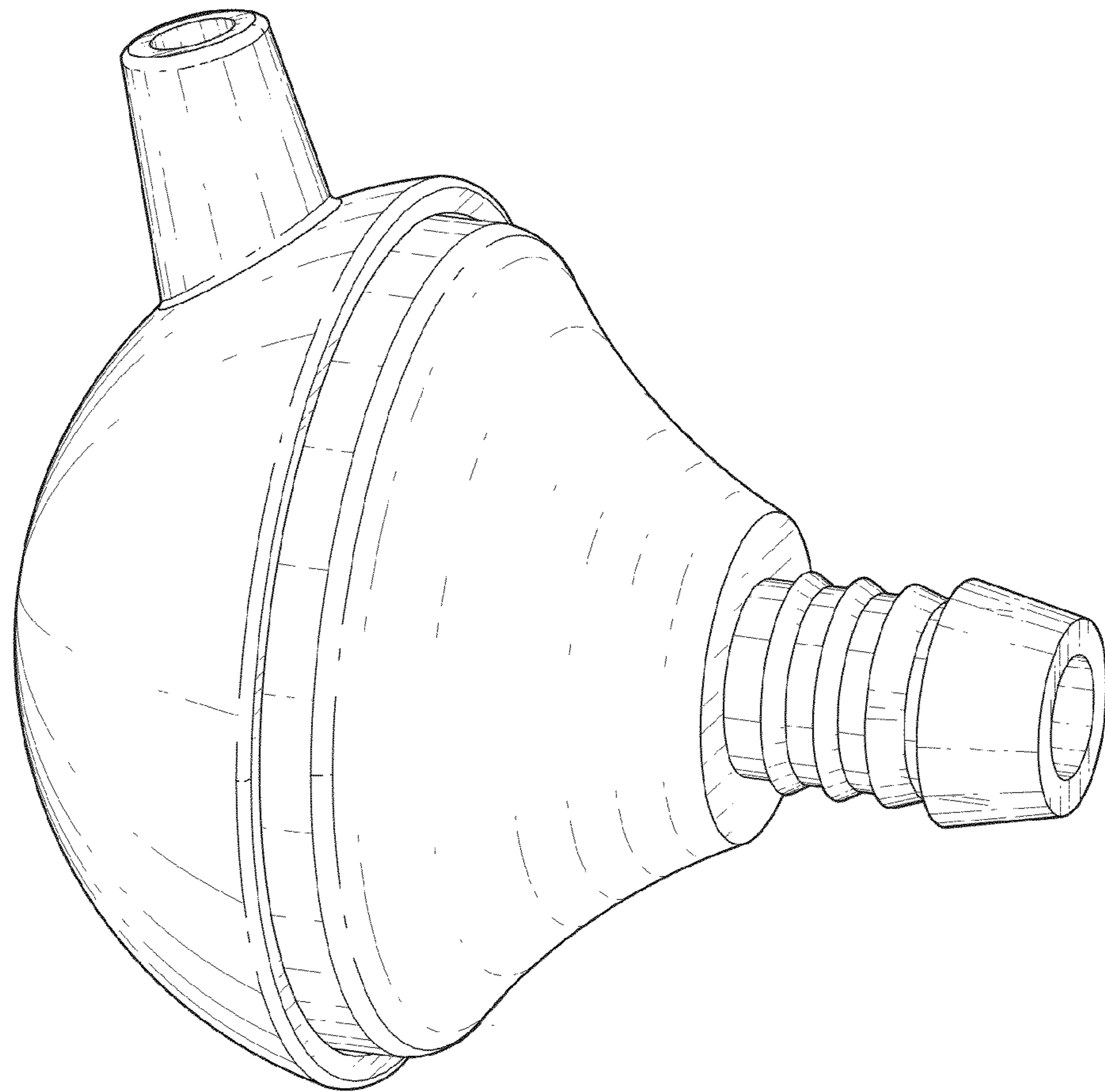


Fig. 7