

US00D745491S

(12) **United States Design Patent**  
**Rogers et al.**

(10) **Patent No.:** **US D745,491 S**

(45) **Date of Patent:** **\*\* Dec. 15, 2015**

(54) **AUDIO EQUIPMENT**

(71) Applicant: **Allen & Heath Limited**, Cornwall (GB)

(72) Inventors: **Glenn Rogers**, Cornwall (GB); **Robin Clark**, Cornwall (GB); **Mike Williamson**, Cornwall (GB); **Carey Davies**, Cornwall (GB); **James Wrigley**, Cornwall (GB); **Alex Money**, Cornwall (GB); **John Danning**, Cornwall (GB); **David Price**, Cornwall (GB); **Ian McBurney**, Cornwall (GB); **Simon Trethewey**, Cornwall (GB); **David Cook**, Cornwall (GB); **David Biggs**, Cornwall (GB); **Niall Dunican**, Cornwall (GB)

(73) Assignee: **Allen & Heath Limited**, Penryn, Cornwall (GB)

(\*\*) Term: **14 Years**

(21) Appl. No.: **29/491,558**

(22) Filed: **May 22, 2014**

(30) **Foreign Application Priority Data**

Nov. 27, 2013 (EM) ..... 002352765-0001

(51) **LOC (10) Cl.** ..... **14-03**

(52) **U.S. Cl.**  
USPC ..... **D14/217**

(58) **Field of Classification Search**  
USPC ..... D14/217, 257, 258, 434, 496, 162, 167, D14/175, 188, 196-198  
CPC ..... G06F 1/1626; G06F 1/1688; G10H 1/46; G10H 1/0008; G10H 1/0025; G10H 13/186; G10H 2210/125; G10H 2240/131; G10H 2240/175; G10H 2250/035; G10L 19/008; G10L 19/167; H03G 3/00; H03G 3/04; H03G 3/3005; H03G 3/3089; H03G 5/00; H03G 5/005; H03G 5/025; H03G 9/18; G11B 19/02; G11B 20/10527; G11B 27/00; G11B 27/34; G11B 27/031; G11B 27/034;

G11B 27/038; G11B 27/105; G11B 33/025; H04H 3/186; H04H 60/04; H04H 60/05; H04H 60/91; H04R 3/00; H04R 3/005; H04R 5/04; H04R 2205/021; H04R 2499/11  
See application file for complete search history.

(56) **References Cited**

U.S. PATENT DOCUMENTS

D270,740 S	9/1983	Pearson
D291,196 S	8/1987	Ito et al.
D380,760 S	7/1997	Mackie et al.
D399,207 S	10/1998	Mackie et al.
D399,208 S	10/1998	Mackie et al.

(Continued)

FOREIGN PATENT DOCUMENTS

GB 2064641 4/1997

*Primary Examiner* — Daniel Bui

*Assistant Examiner* — Khawaja Anwar

(74) *Attorney, Agent, or Firm* — Swanson & Bratschun, L.L.C.

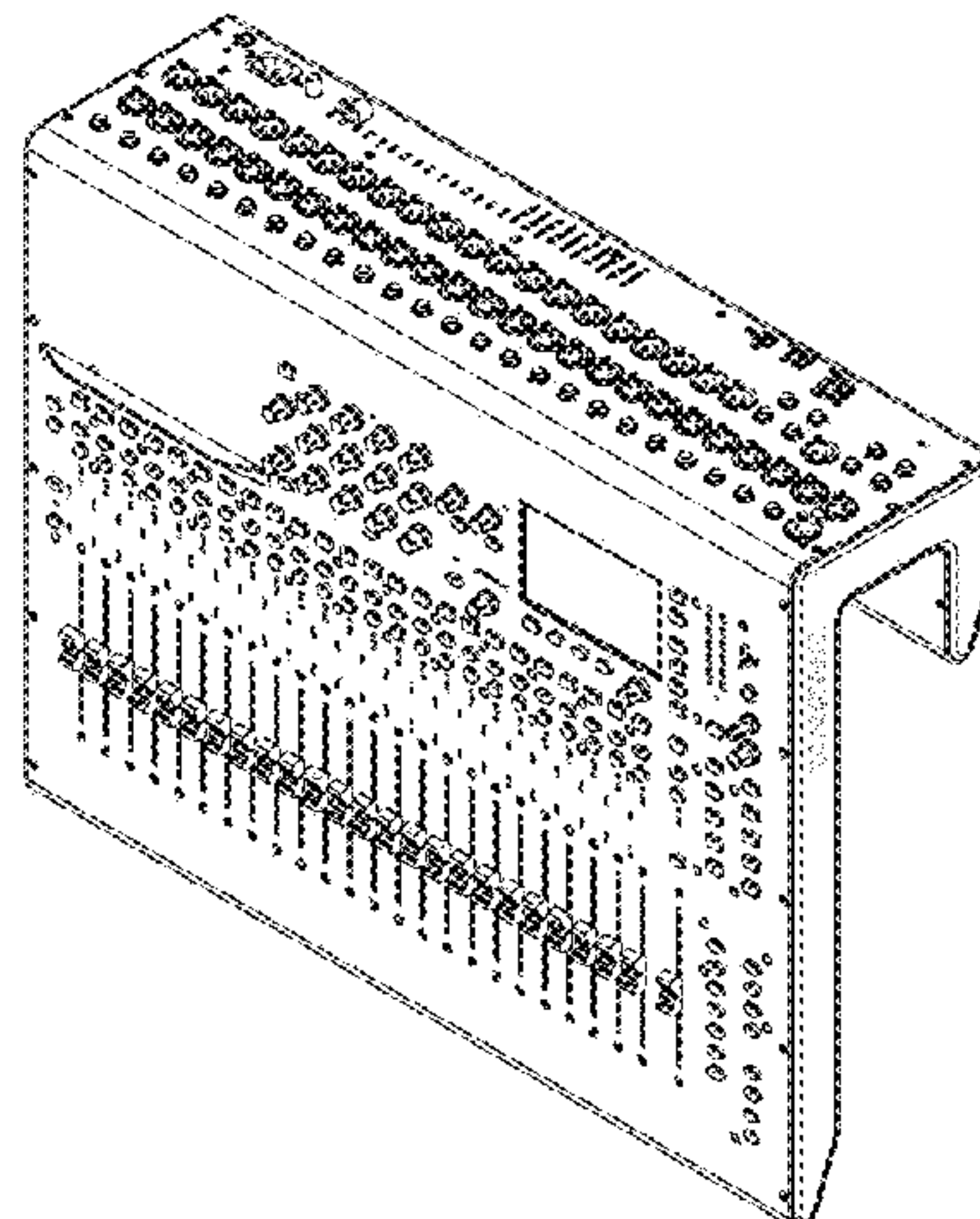
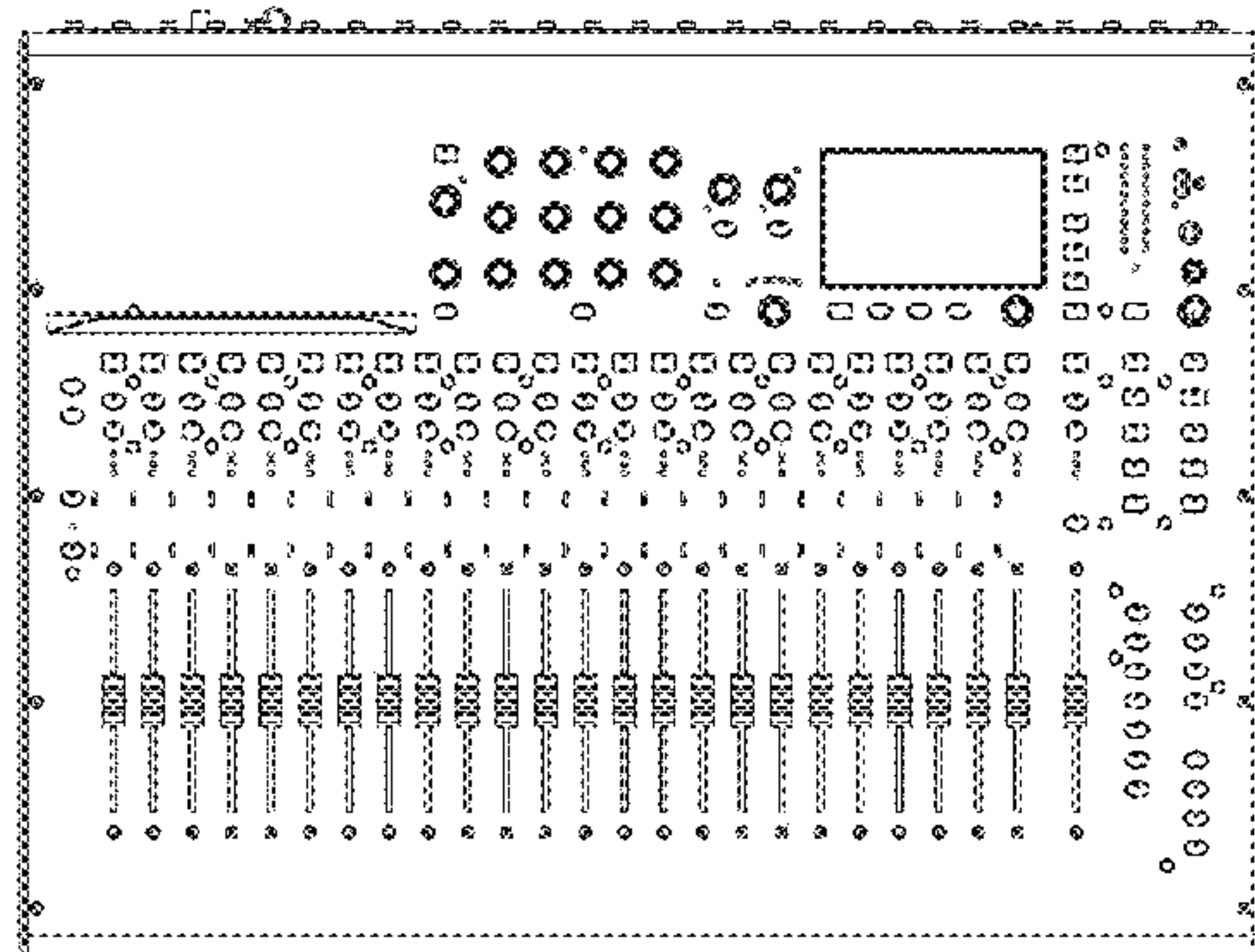
(57) **CLAIM**

The ornamental design for an audio equipment, as shown and described.

**DESCRIPTION**

FIG. 1 is a top plan view of an audio equipment showing our new design;  
FIG. 2 is a front elevation view thereof;  
FIG. 3 is a rear elevation view thereof;  
FIG. 4 is a left side elevation view thereof; the right side elevation view is a mirror image thereto;  
FIG. 5 is a rear, right, top perspective view thereof;  
FIG. 6 is a front, right, top perspective view thereof; and,  
FIG. 7 is a bottom plan view thereof.  
The broken line in the figure drawings represents unclaimed environment only and forms no part of the claimed design.

**1 Claim, 7 Drawing Sheets**



(56)

**References Cited**

U.S. PATENT DOCUMENTS

D401,242 S 11/1998 Mackie et al.  
D499,394 S 12/2004 Suzuki  
D532,774 S 11/2006 Dawson  
D543,209 S 5/2007 Bae  
D573,587 S 7/2008 Amiya  
D603,836 S 11/2009 Hibbard  
D617,767 S 6/2010 Piltonen

D643,410 S \* 8/2011 Blyth et al. .... D14/217  
D655,242 S 3/2012 Holthusen  
D662,914 S 7/2012 Constin  
D664,564 S 7/2012 Gillett  
D690,683 S 10/2013 Olswang  
D691,986 S 10/2013 Amiya  
D717,278 S \* 11/2014 Amiya ..... D14/217  
D721,062 S \* 1/2015 Danning et al. .... D14/217  
D721,353 S \* 1/2015 Money et al. .... D14/217  
2013/0208954 A1 8/2013 Rowe

\* cited by examiner



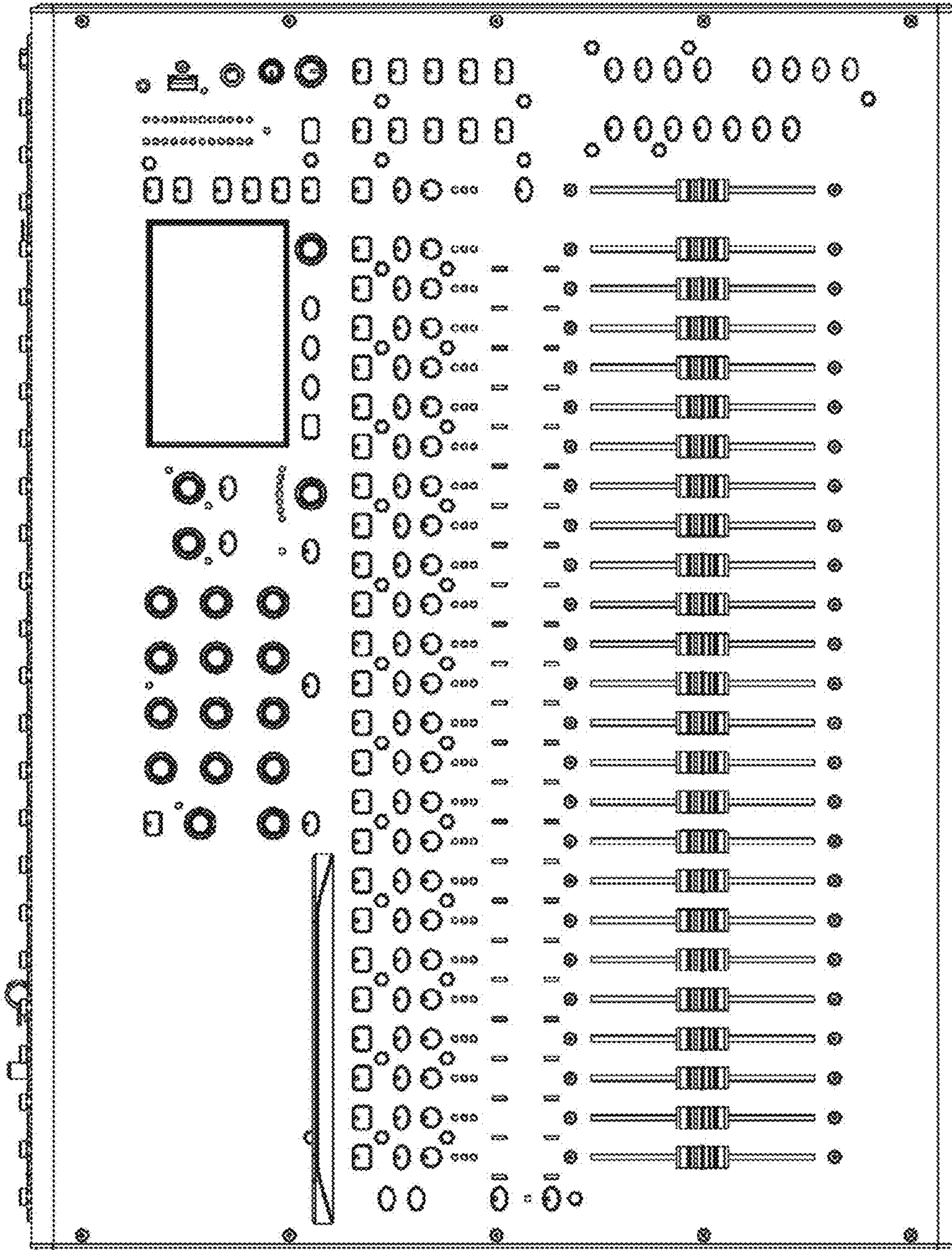


Fig. 1

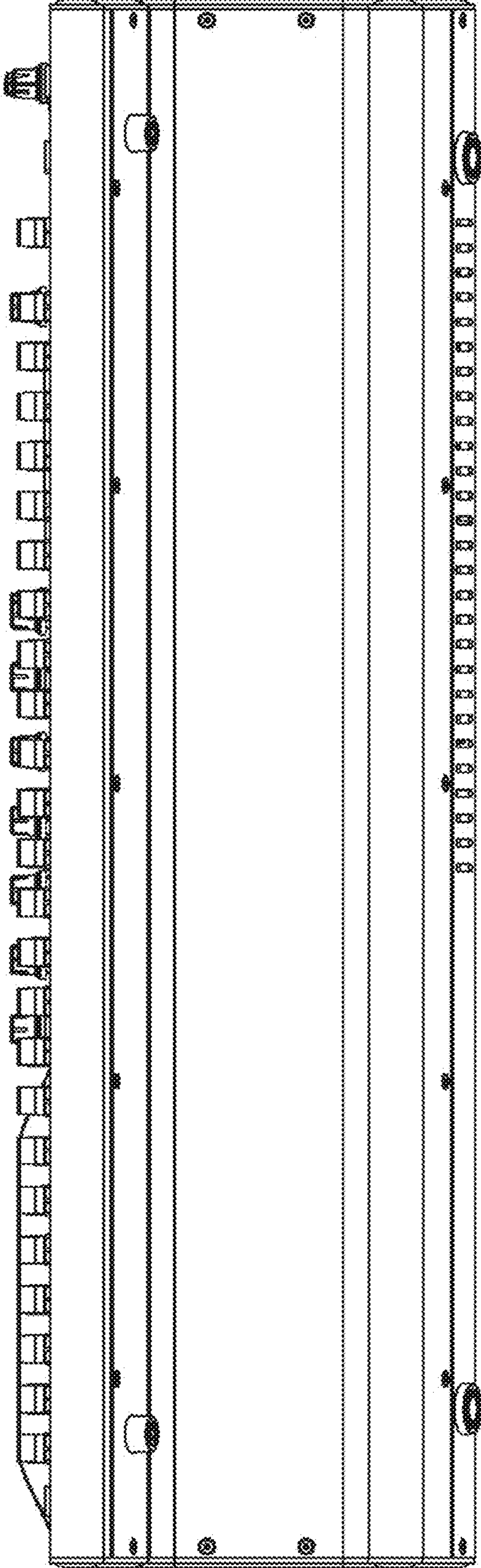


Fig. 2



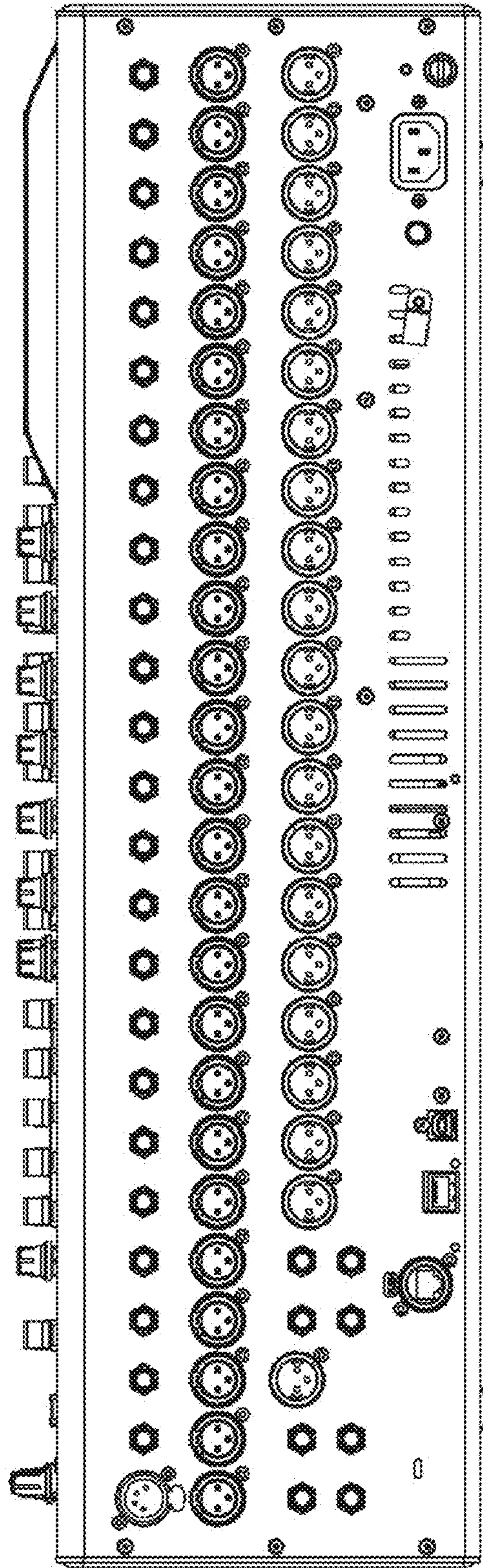


Fig. 3

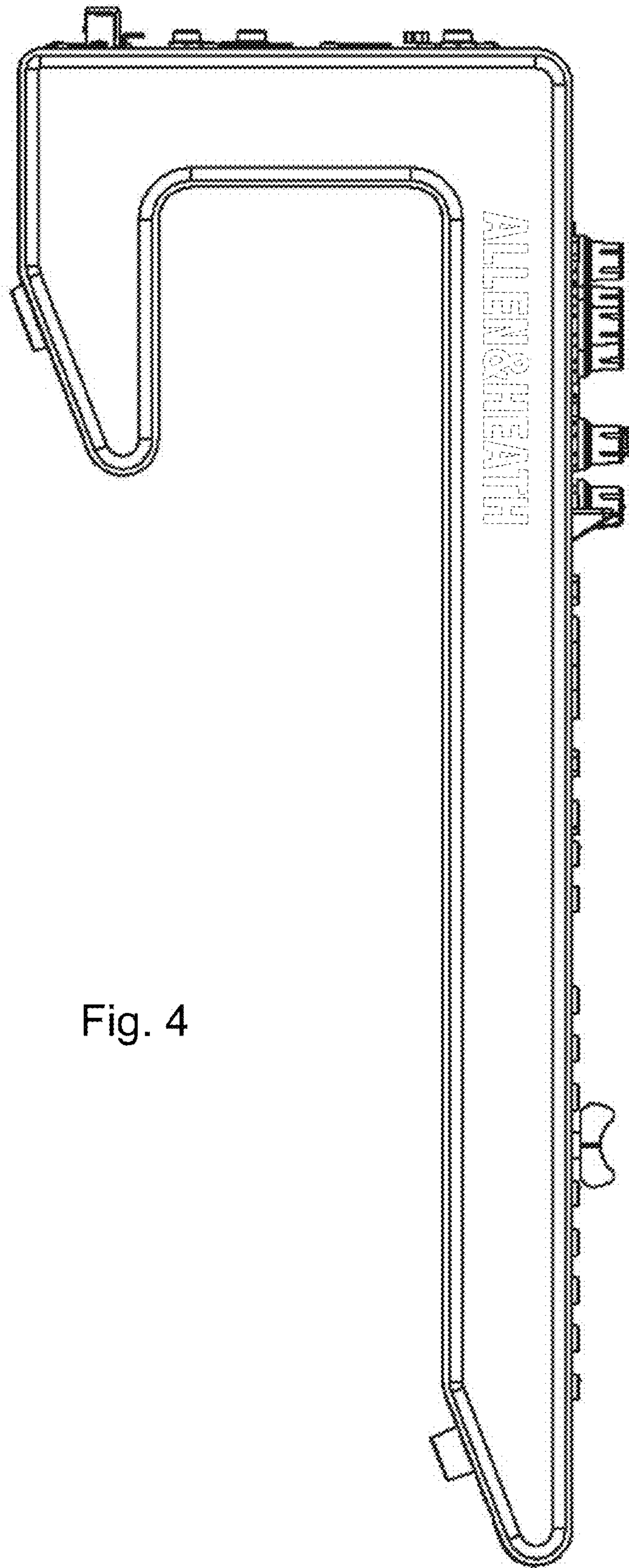


Fig. 4



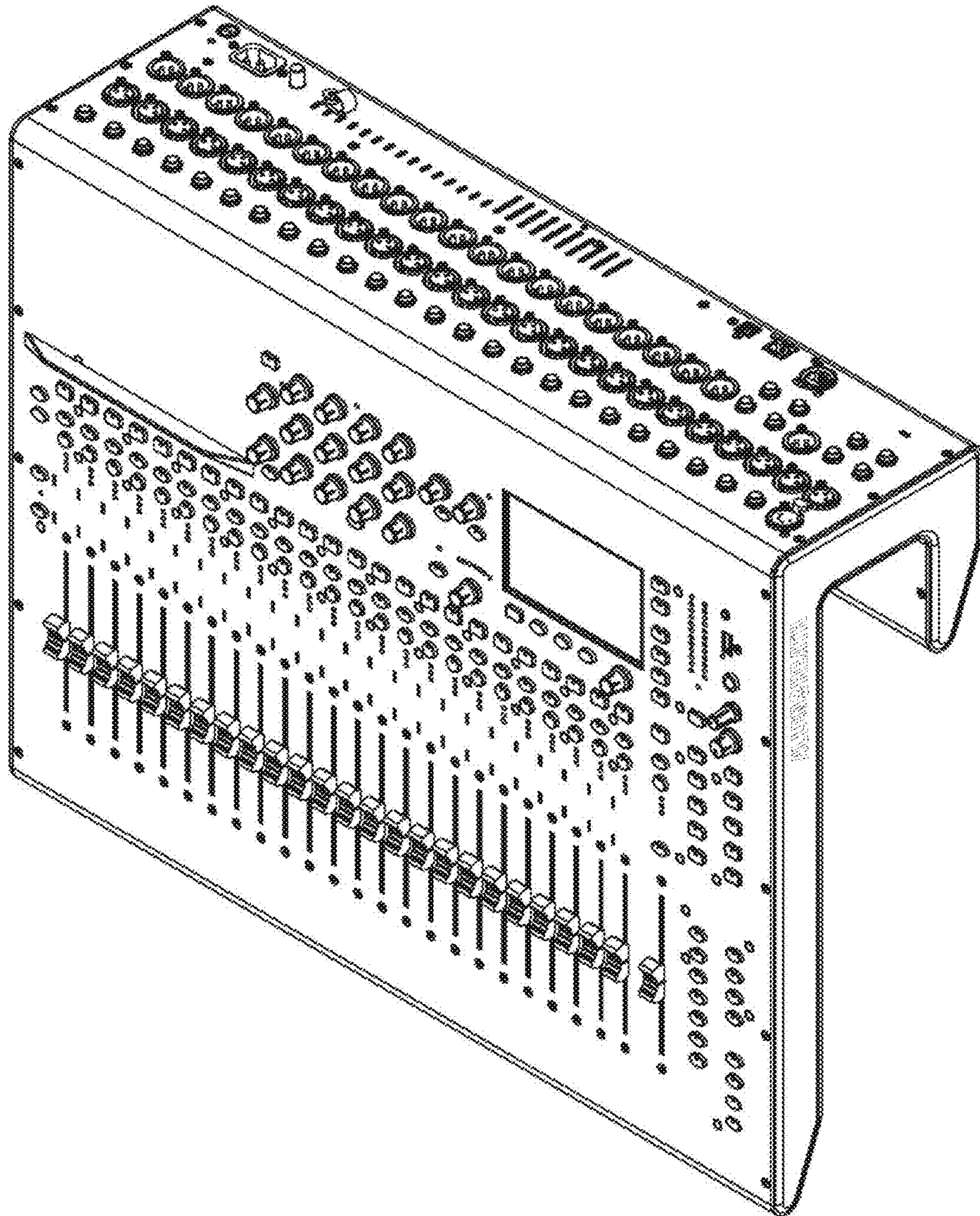


Fig. 5



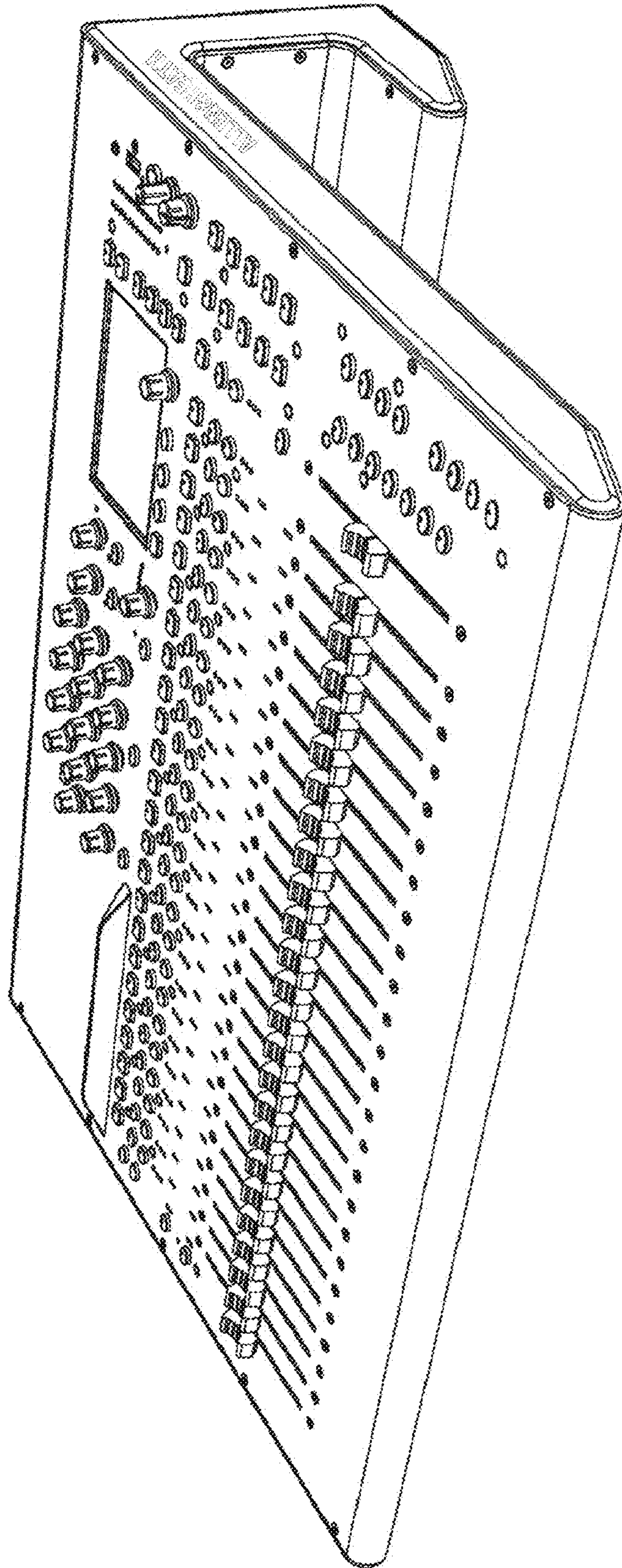


Fig. 6



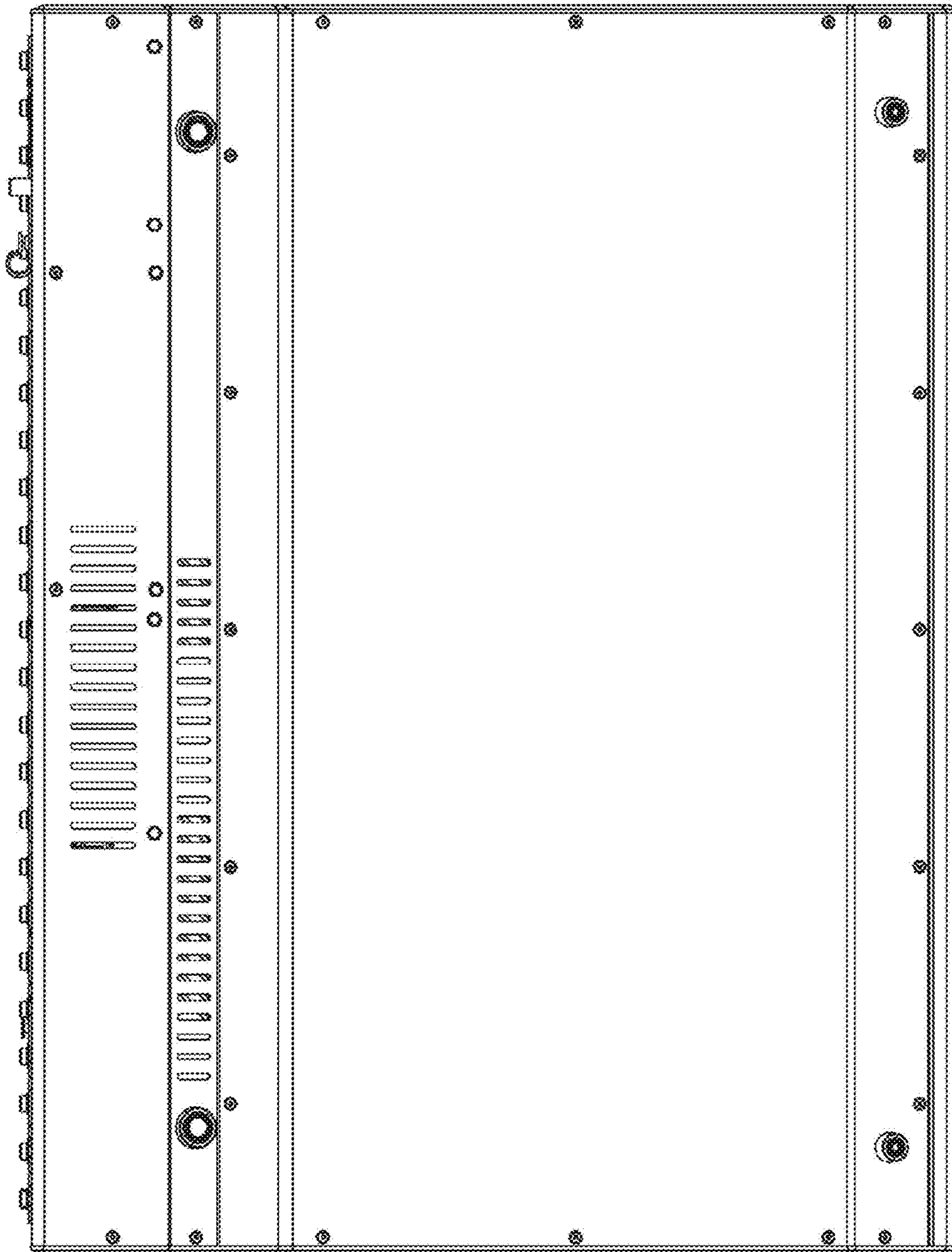


Fig. 7