



US00D745489S

(12) **United States Design Patent**
Bjelle

(10) **Patent No.:** **US D745,489 S**

(45) **Date of Patent:** **** Dec. 15, 2015**

(54) **SET OF EARPHONES**

(71) Applicant: **Christian Bjelle**, Akron, OH (US)

(72) Inventor: **Christian Bjelle**, Akron, OH (US)

(**) Term: **14 Years**

(21) Appl. No.: **29/503,053**

(22) Filed: **Sep. 23, 2014**

(51) **LOC (10) Cl.** **14-01**

(52) **U.S. Cl.**
USPC **D14/205**

(58) **Field of Classification Search**
USPC D14/206, 205; 181/129, 130, 135;
379/430, 431; 381/380, 381, 383, 394,
381/395; 455/575.1

CPC H04R 25/00
See application file for complete search history.

D591,264 S *	4/2009	Hong et al.	D14/205
D605,628 S *	12/2009	Ando	D14/205
7,639,824 B2 *	12/2009	Franzen	381/151
D614,168 S *	4/2010	Rogers et al.	D14/206
D637,998 S *	5/2011	Brunner et al.	D14/205
D648,317 S *	11/2011	Katsuraku et al.	D14/205
8,073,181 B2 *	12/2011	Bakalos et al.	381/384
D652,817 S *	1/2012	Lee et al.	D14/205
8,144,915 B2 *	3/2012	Hankey et al.	381/384
8,175,315 B2 *	5/2012	Tanaka et al.	381/370
8,507,812 B2 *	8/2013	No	200/1 B
8,655,006 B2 *	2/2014	Aase et al.	381/384
D727,871 S *	4/2015	Orbach	D14/205
D727,873 S *	4/2015	Schaal et al.	D14/205
9,031,264 B2 *	5/2015	Yang	381/189

* cited by examiner

Primary Examiner — Paula Greene

(57) **CLAIM**

The ornamental design for a set of earphones, as shown and described.

(56) **References Cited**

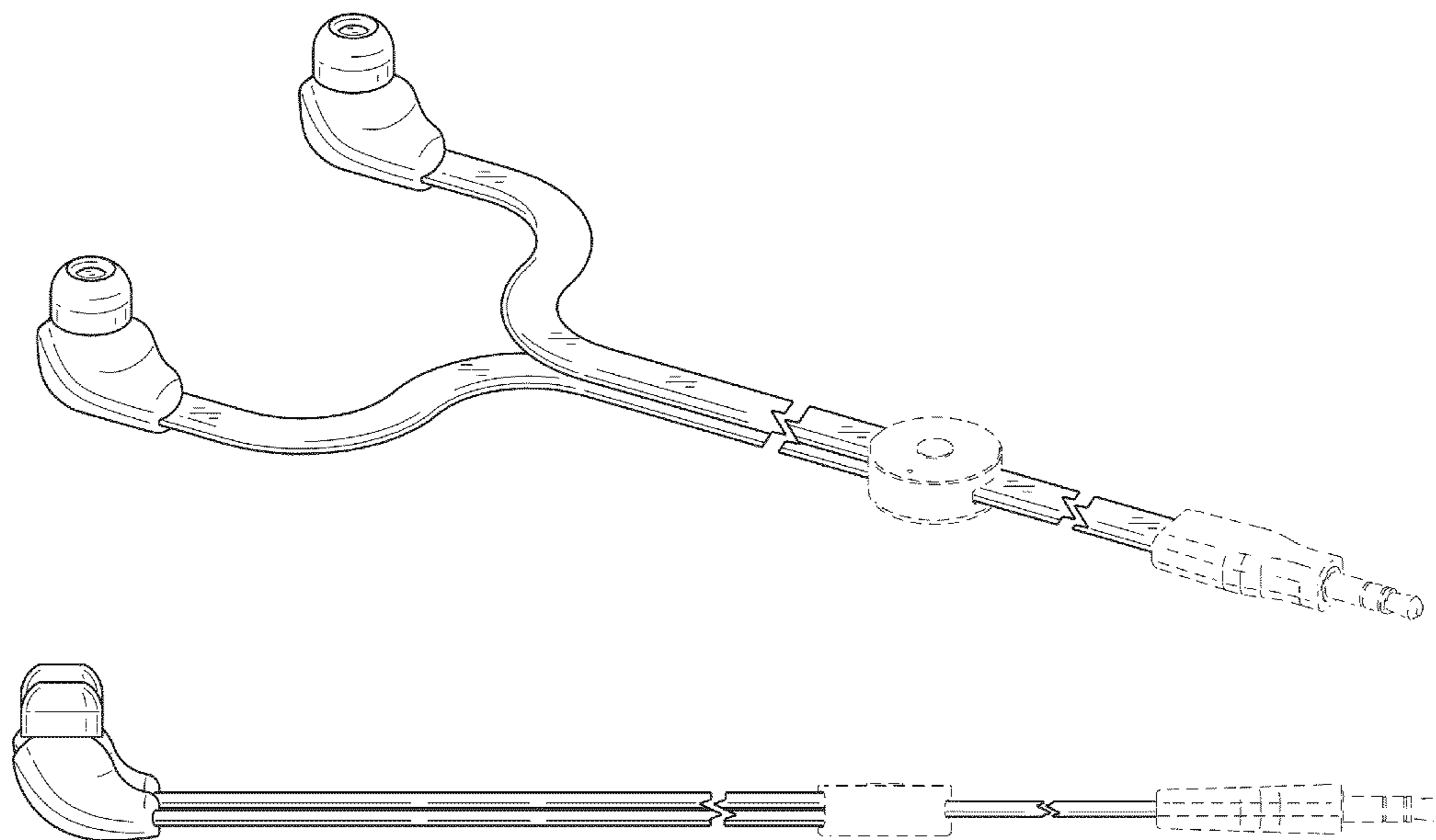
U.S. PATENT DOCUMENTS

2,641,327 A *	6/1953	Balmer	181/129
2,947,456 A *	8/1960	Seron	224/258
3,195,392 A *	7/1965	Allen	84/457
D215,217 S *	9/1969	Noyes	D14/205
D227,267 S *	6/1973	Scanlon	D14/205
4,261,432 A *	4/1981	Gunterman	181/137
4,347,911 A *	9/1982	Bertagna et al.	181/130
4,646,872 A *	3/1987	Kamon et al.	181/129
6,898,295 B2 *	5/2005	Inamura et al.	381/385
D564,495 S *	3/2008	Sasaki	D14/205
D578,507 S *	10/2008	Ando	D14/205

DESCRIPTION

FIG. 1 is a front perspective view of a set of earphones; FIG. 2 is a front elevation view of the set of earphones; FIG. 3 is a rear elevation view of the set of earphones; FIG. 4 is a left side elevation view of the set of earphones; FIG. 5 is a right side elevation view of the set of earphones; FIG. 6 is a top plan view of the set of earphones; and, FIG. 7 is a bottom plan view of the set of earphones. The broken lines shown in the cord of the set of earphones illustrate indeterminate length of the cord.

1 Claim, 4 Drawing Sheets



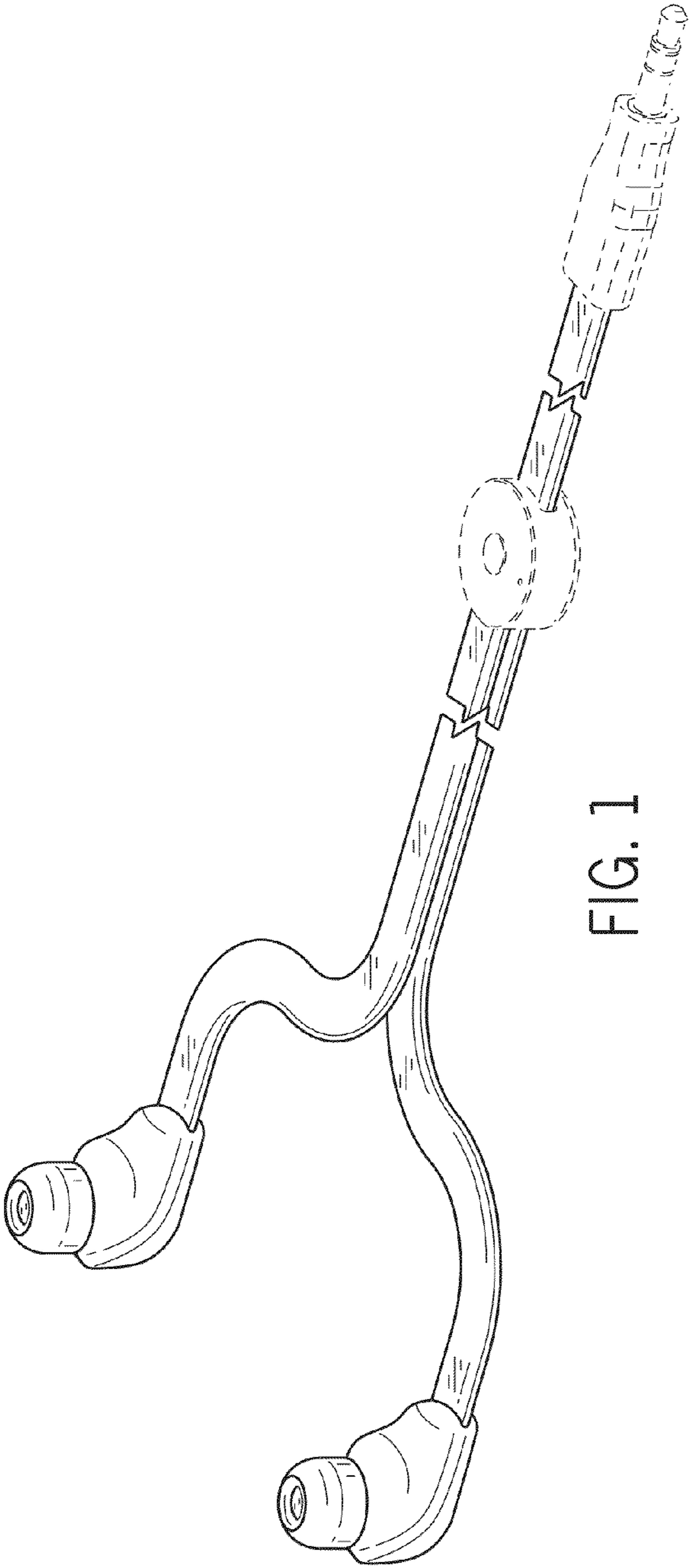


FIG. 1

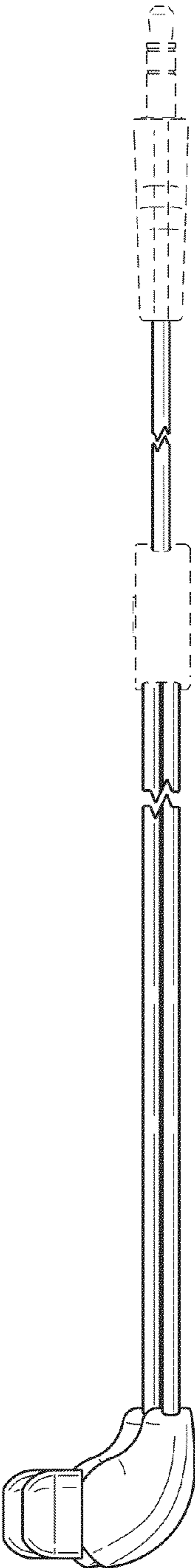


FIG. 2

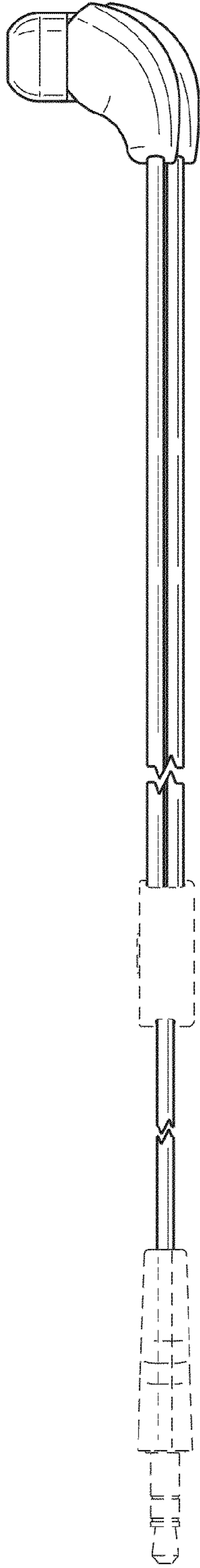


FIG. 3

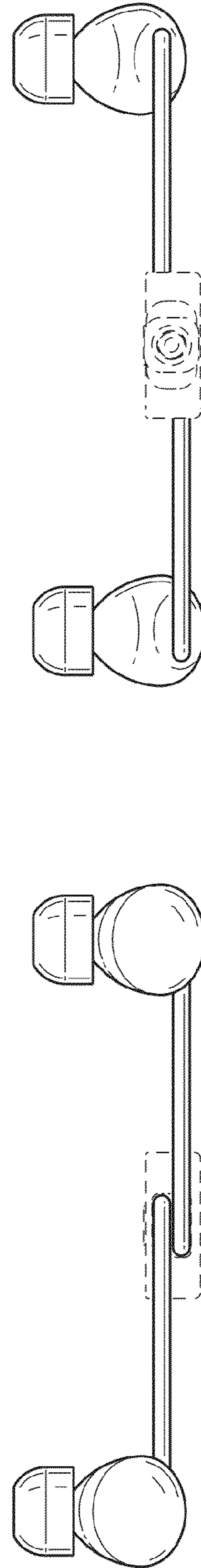


FIG. 4

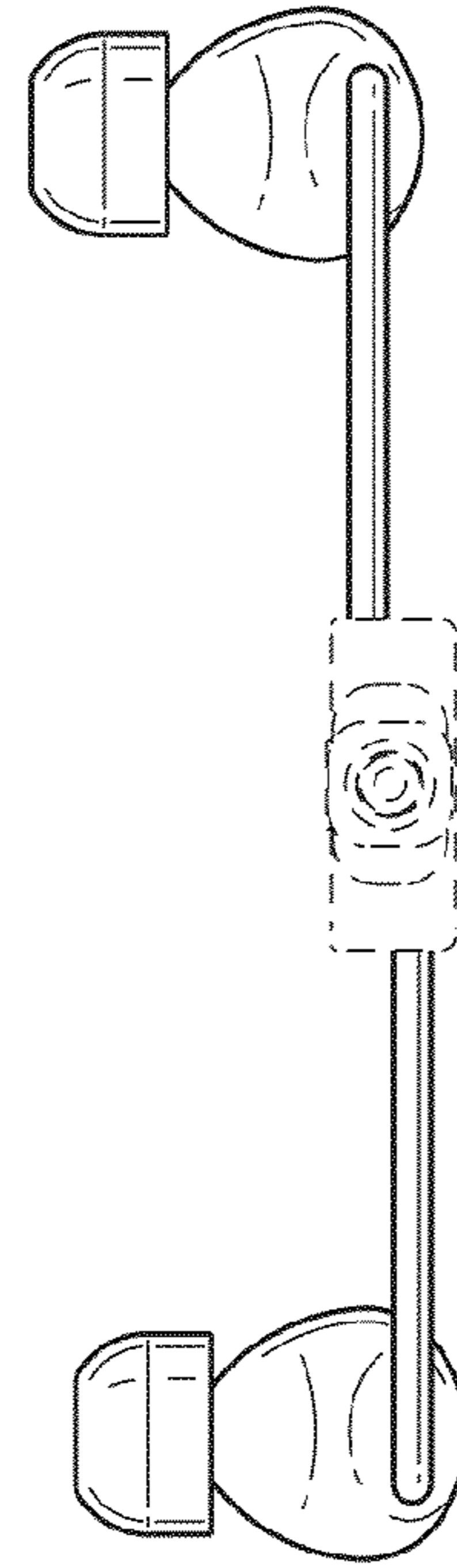


FIG. 5

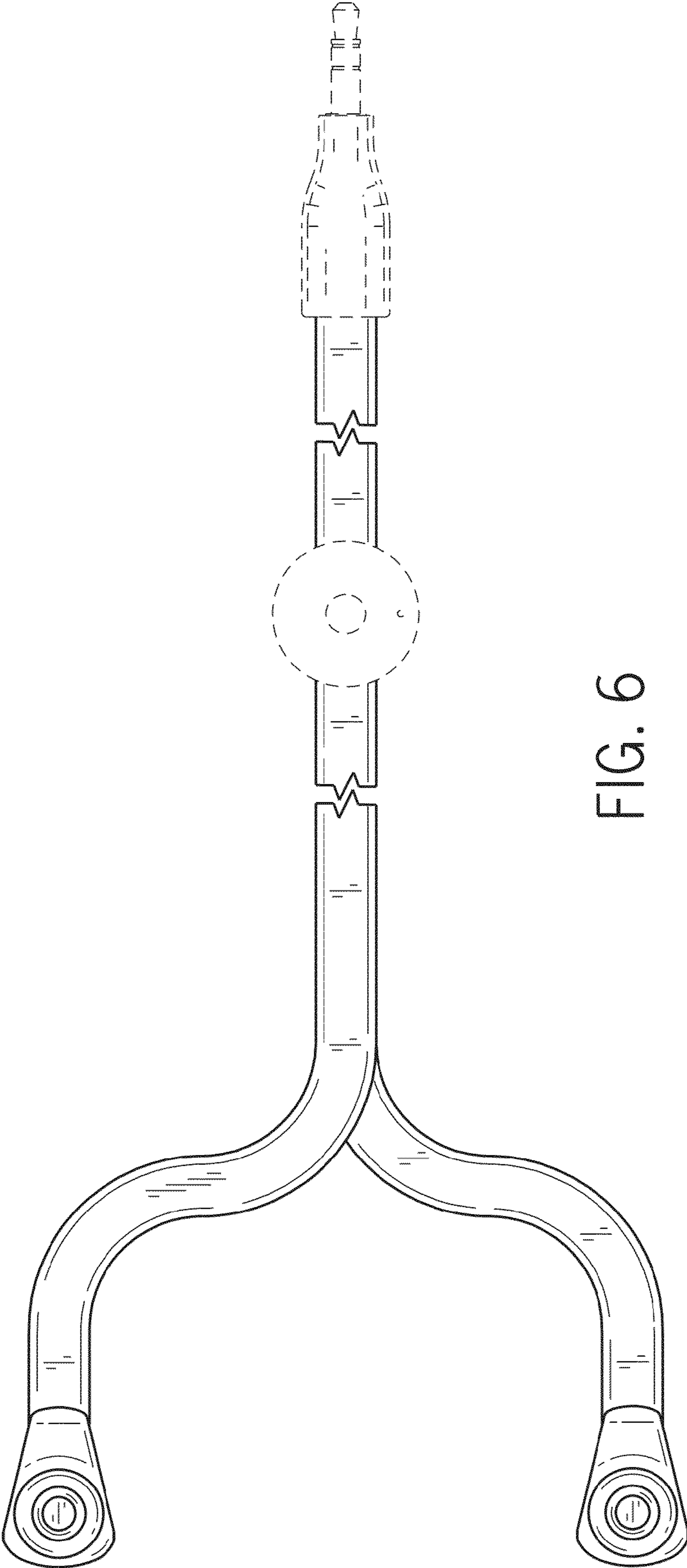


FIG. 6

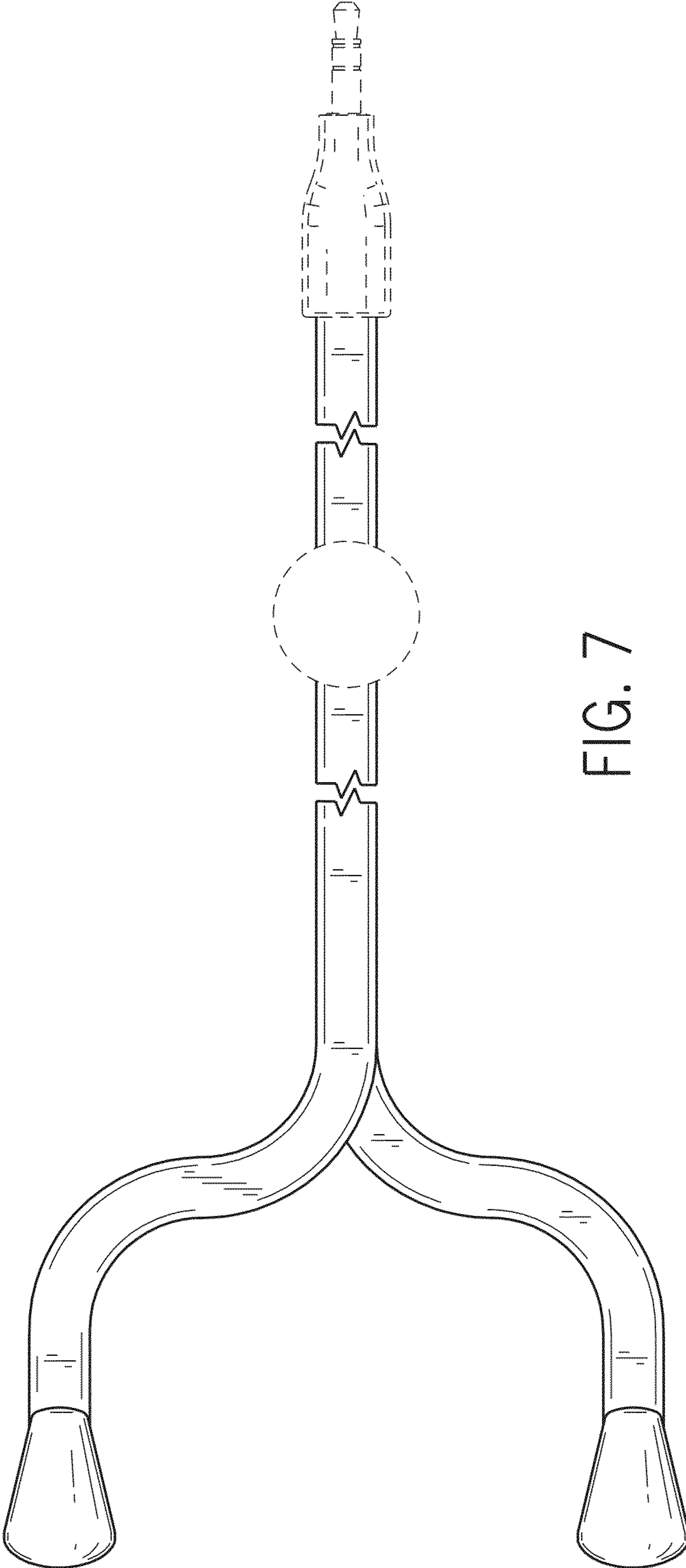


FIG. 7