



US00D745488S

(12) **United States Design Patent**
Lee et al.

(10) **Patent No.:** **US D745,488 S**
(45) **Date of Patent:** **** Dec. 15, 2015**

(54) **SPEAKER**

(71) Applicant: **Samsung Electronics Co., Ltd.**,
Suwon-si (KR)
(72) Inventors: **Jaeneung Lee**, Ansan-si (KR);
Byungmin Woo, Bucheon-si (KR);
Chaejoo Son, Seoul (KR)
(73) Assignee: **Samsung Electronics Co., Ltd.**,
Suwon-si (KR)

(**) Term: **14 Years**

(21) Appl. No.: **29/494,031**

(22) Filed: **Jun. 17, 2014**

(30) **Foreign Application Priority Data**

Jan. 6, 2014 (KR) 30-2014-0000768

(51) **LOC (10) Cl.** **14-01**

(52) **U.S. Cl.**
USPC **D14/204**

(58) **Field of Classification Search**
USPC D14/172, 194, 204, 207, 209.1,
D14/210–215, 221, 222; 181/148, 152, 153,
181/157, 192, 198, 199; 381/300–303, 332,
381/333, 336, 345, 361, 386–388
CPC H04M 1/03; H04M 1/035; H04R 1/02;
H04R 1/06; H04R 1/021; H04R 1/025;
H04R 1/026; H04R 1/105; H04R 1/323;
H04R 1/345; H04R 1/403; H04R 1/2803;
H04R 1/2834; H04R 3/12; H04R 5/02;
H04R 2203/12

See application file for complete search history.

(56) **References Cited**

U.S. PATENT DOCUMENTS

3,207,257 A *	9/1965	Wilson	181/147
D468,727 S *	1/2003	Manneschi	D14/222
D538,259 S *	3/2007	Okamura et al.	D14/172
D659,677 S *	5/2012	Kim et al.	D14/214
D660,284 S *	5/2012	Carbone	D14/214
D669,883 S *	10/2012	Cheng	D14/214
2005/0180589 A1 *	8/2005	Liu	381/338
2012/0063618 A1 *	3/2012	Tanaka et al.	381/303

* cited by examiner

Primary Examiner — Derrick Holland

Assistant Examiner — Janice Lim

(74) *Attorney, Agent, or Firm* — NSIP Law

(57) **CLAIM**

The ornamental design for a speaker, as shown and described.

DESCRIPTION

FIG. 1 is a front perspective view of a speaker showing our new design;

FIG. 2 is a front view thereof;

FIG. 3 is a rear view thereof;

FIG. 4 is a left-side view thereof;

FIG. 5 is a right-side view thereof;

FIG. 6 is a top plan view thereof;

FIG. 7 is a bottom plan view thereof;

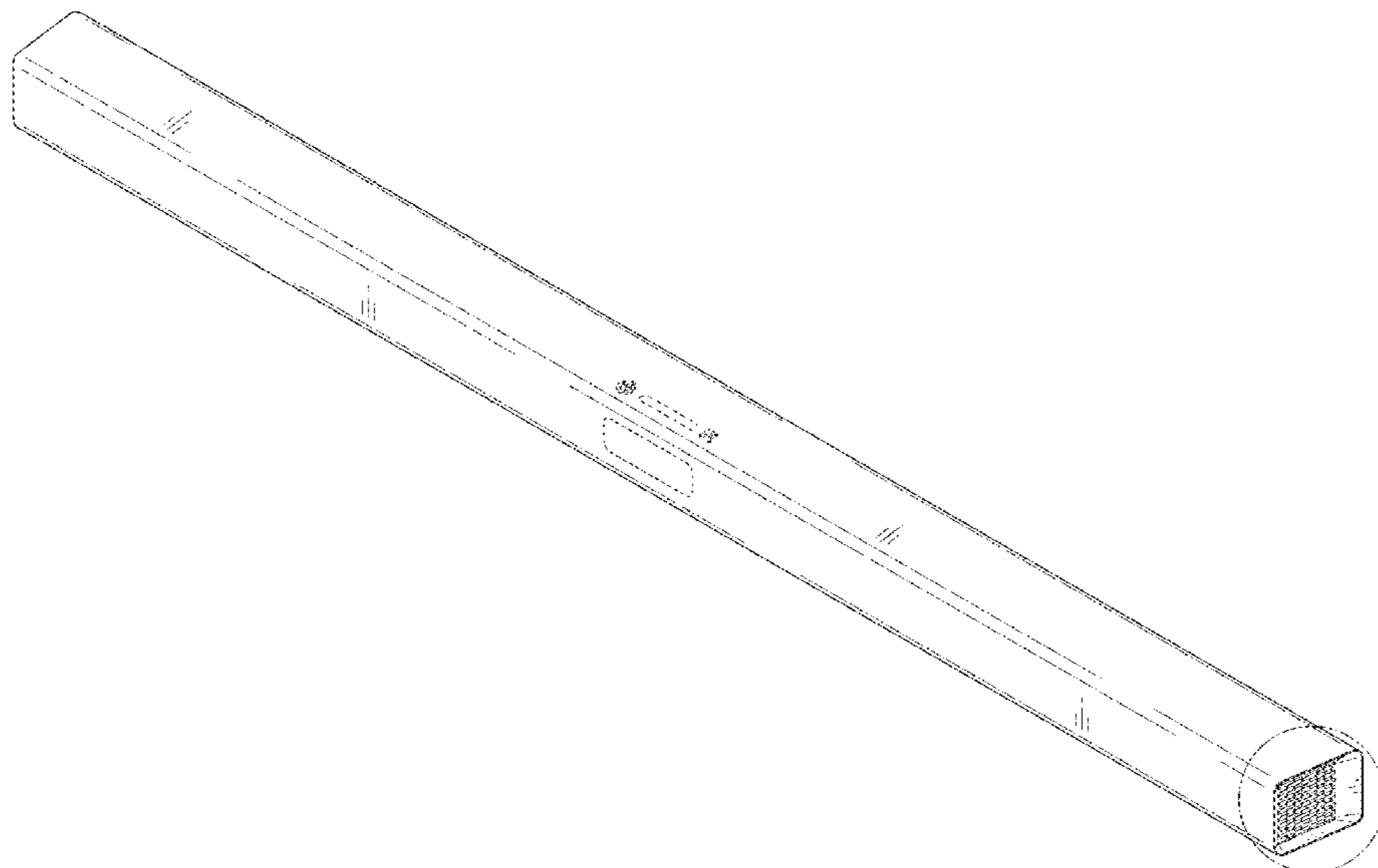
FIG. 8 is a rear perspective view thereof; and,

FIG. 9 is a partially enlarged front perspective view thereof.

The broken line portions of FIGS. 1-9 are included to show unclaimed subject matter only and form no part of the claimed design.

The dot-dash broken line portions of FIGS. 1 and 9 are included to show the boundary of the partially enlarged view only and form no part of the claimed design.

1 Claim, 9 Drawing Sheets



see FIG. 9

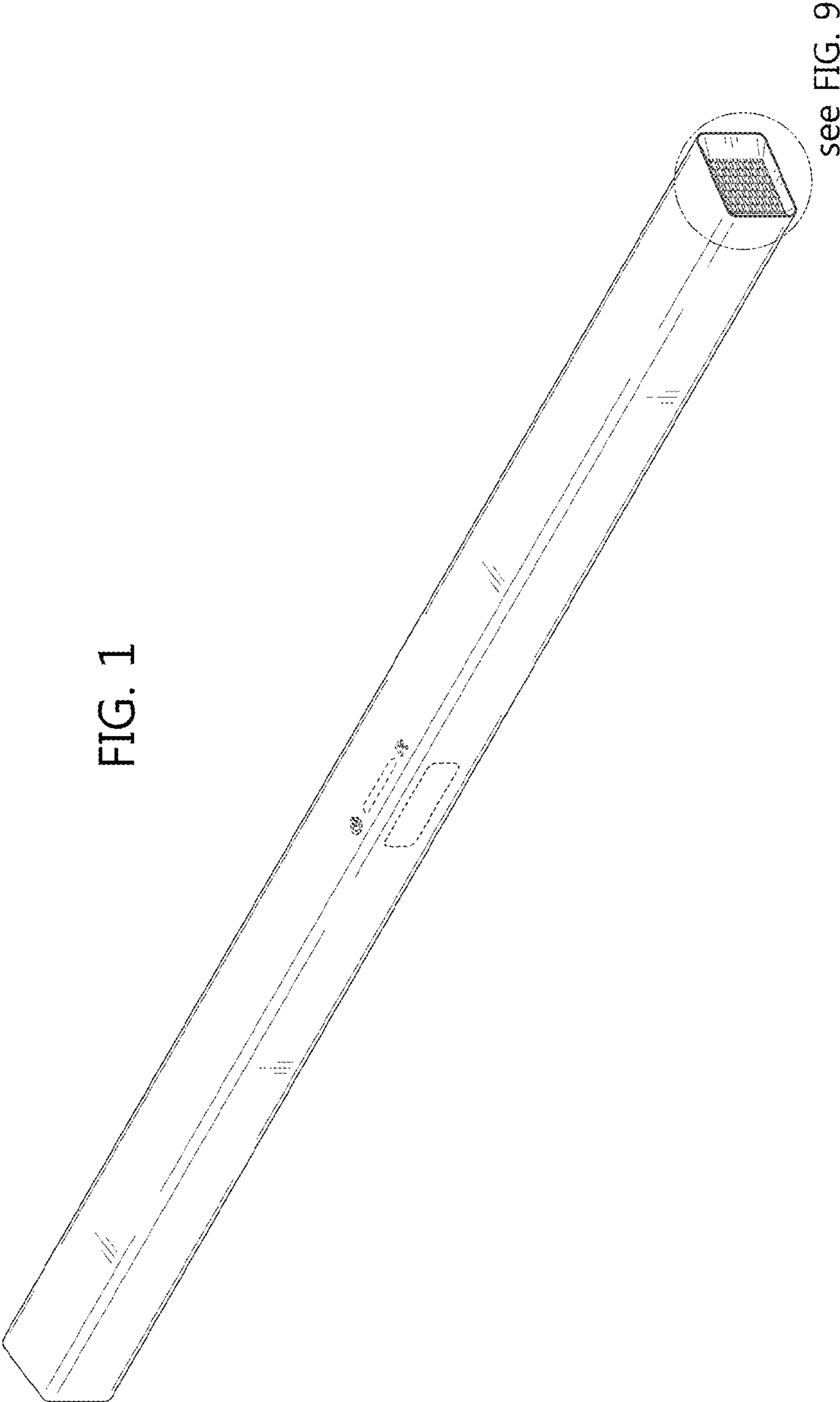


FIG. 1

see FIG. 9

FIG. 2

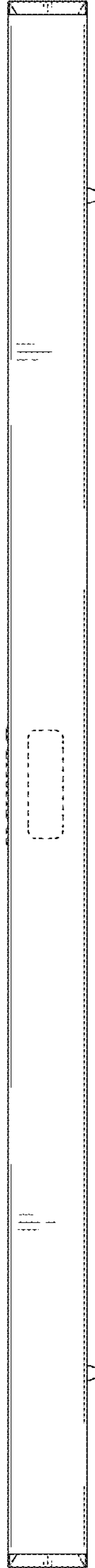


FIG. 3

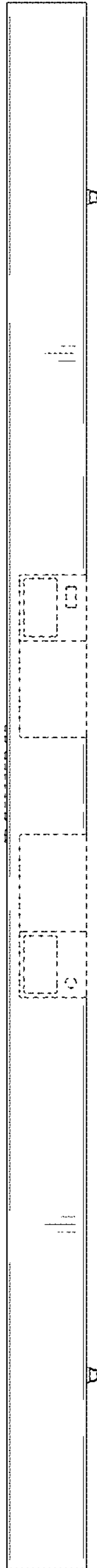


FIG. 4

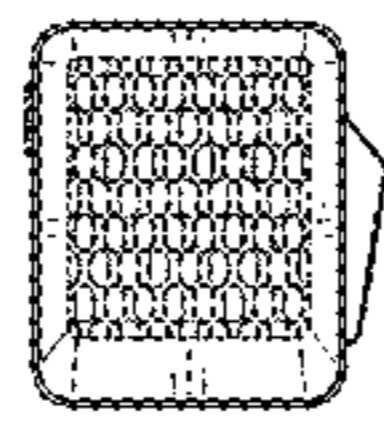


FIG. 5

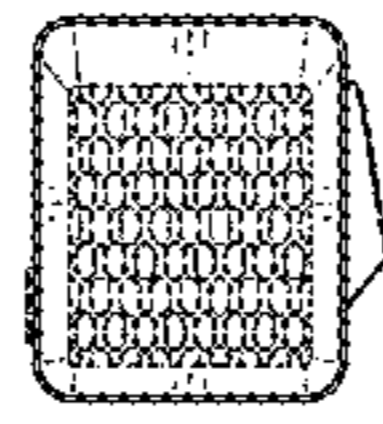


FIG. 6

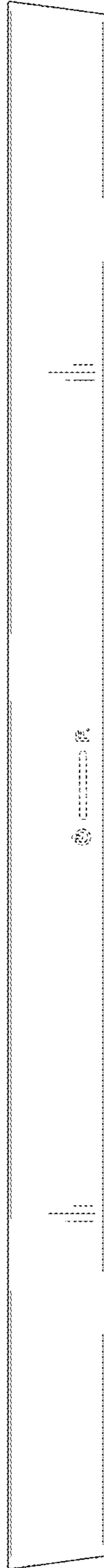
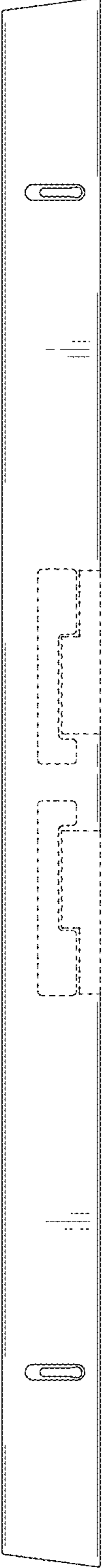


FIG. 7



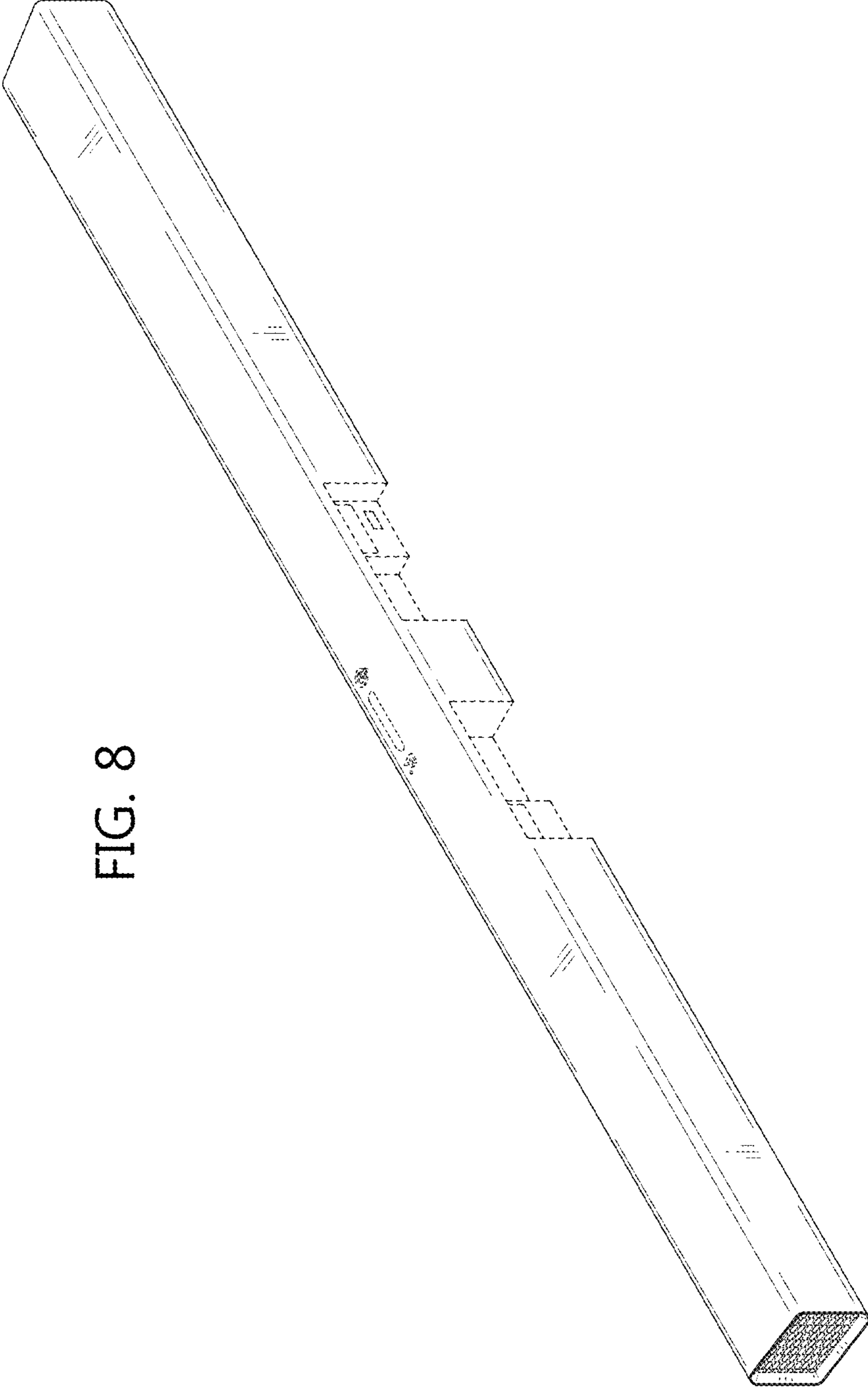


FIG. 8

FIG. 9

