



US00D745479S

(12) **United States Design Patent**
McManigal

(10) **Patent No.:** **US D745,479 S**

(45) **Date of Patent:** **** *Dec. 15, 2015**

(54) **SET TOP BOX**

(71) Applicant: **VIZIO Inc.**, Irvine, CA (US)

(72) Inventor: **Scott Paul McManigal**, Newport Beach, CA (US)

(73) Assignee: **Vizio, Inc.**, Irvine, CA (US)

(*) Notice: This patent is subject to a terminal disclaimer.

(**) Term: **14 Years**

(21) Appl. No.: **29/446,833**

(22) Filed: **Feb. 27, 2013**

(51) **LOC (10) Cl.** **14-03**

(52) **U.S. Cl.**
USPC **D14/125**

(58) **Field of Classification Search**
USPC D14/125, 357-358, 496, 188, 242, 432;
D13/184; 348/10, 460, 706, 731;
340/825.03; 455/6.1, 6.2; 312/223.1,
312/7.2

CPC H04N 7/00
See application file for complete search history.

(56) **References Cited**

U.S. PATENT DOCUMENTS

D630,505	S	*	1/2011	Westemeyer et al.	D9/426
D632,290	S	*	2/2011	Jeon et al.	D14/356
D641,363	S	*	7/2011	Dublin	D14/356
D648,689	S	*	11/2011	Mehlsen	D14/125
D654,885	S	*	2/2012	Isaias	D14/125
D655,263	S	*	3/2012	Tsai	D14/125
D676,005	S	*	2/2013	Wood et al.	D14/125

* cited by examiner

Primary Examiner — Randall Gholson

(74) *Attorney, Agent, or Firm* — Law Office of Scott C. Harris, Inc.

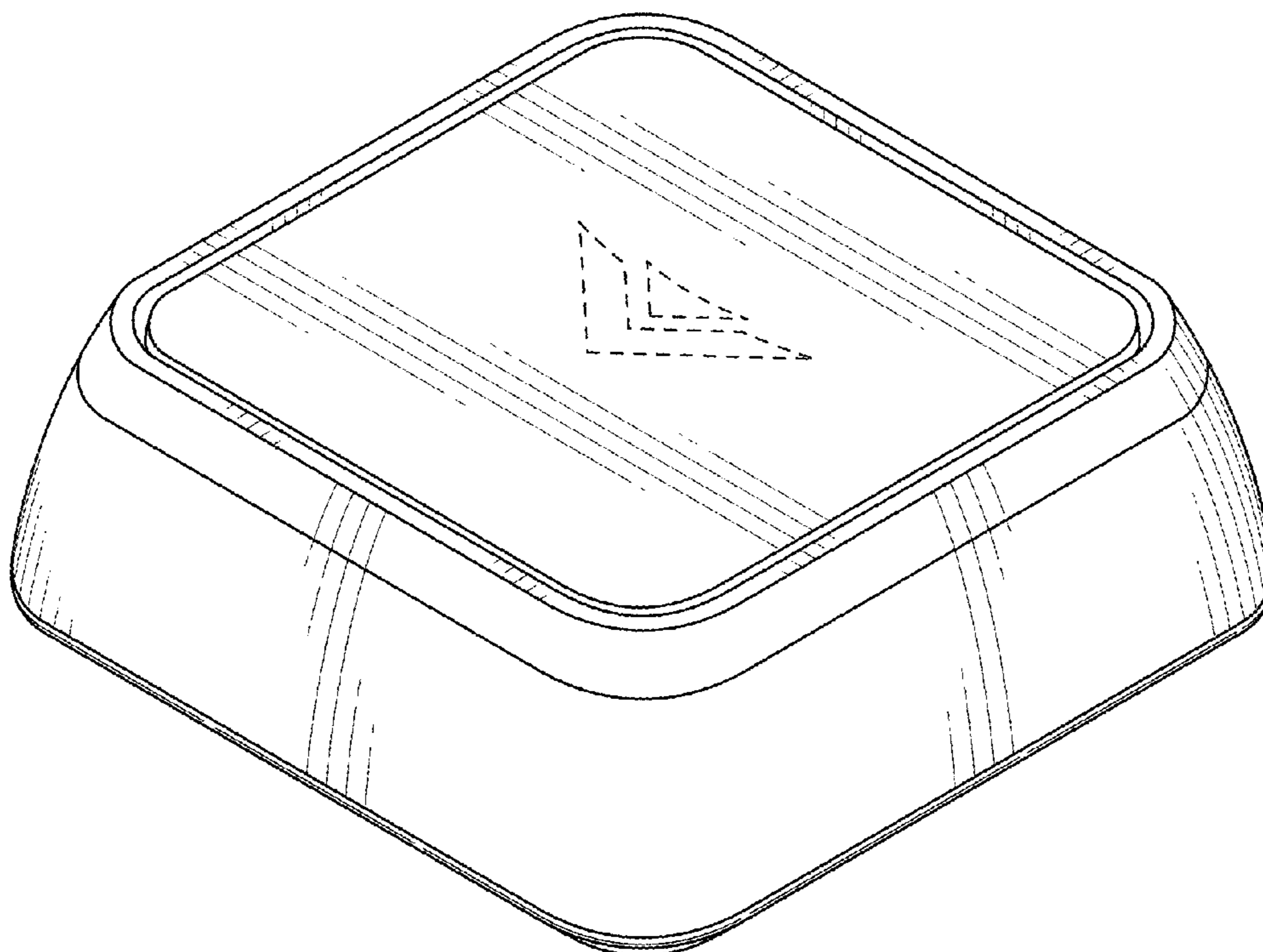
(57) **CLAIM**

I claim the ornamental design for a set top box, as shown and described.

DESCRIPTION

FIG. 1 is a top perspective view of the set top box; FIG. 2 is a first side view of the set top box; FIG. 3 shows a second side view of the set top box; FIG. 4 shows a third side view of the set top box; FIG. 5 shows a fourth side view of the set top box; FIG. 6 shows a top view of the set top box; and, FIG. 7 shows a bottom view of the set top box. The portions of the graphical user interface shown in broken lines form no part of the claimed design.

1 Claim, 5 Drawing Sheets



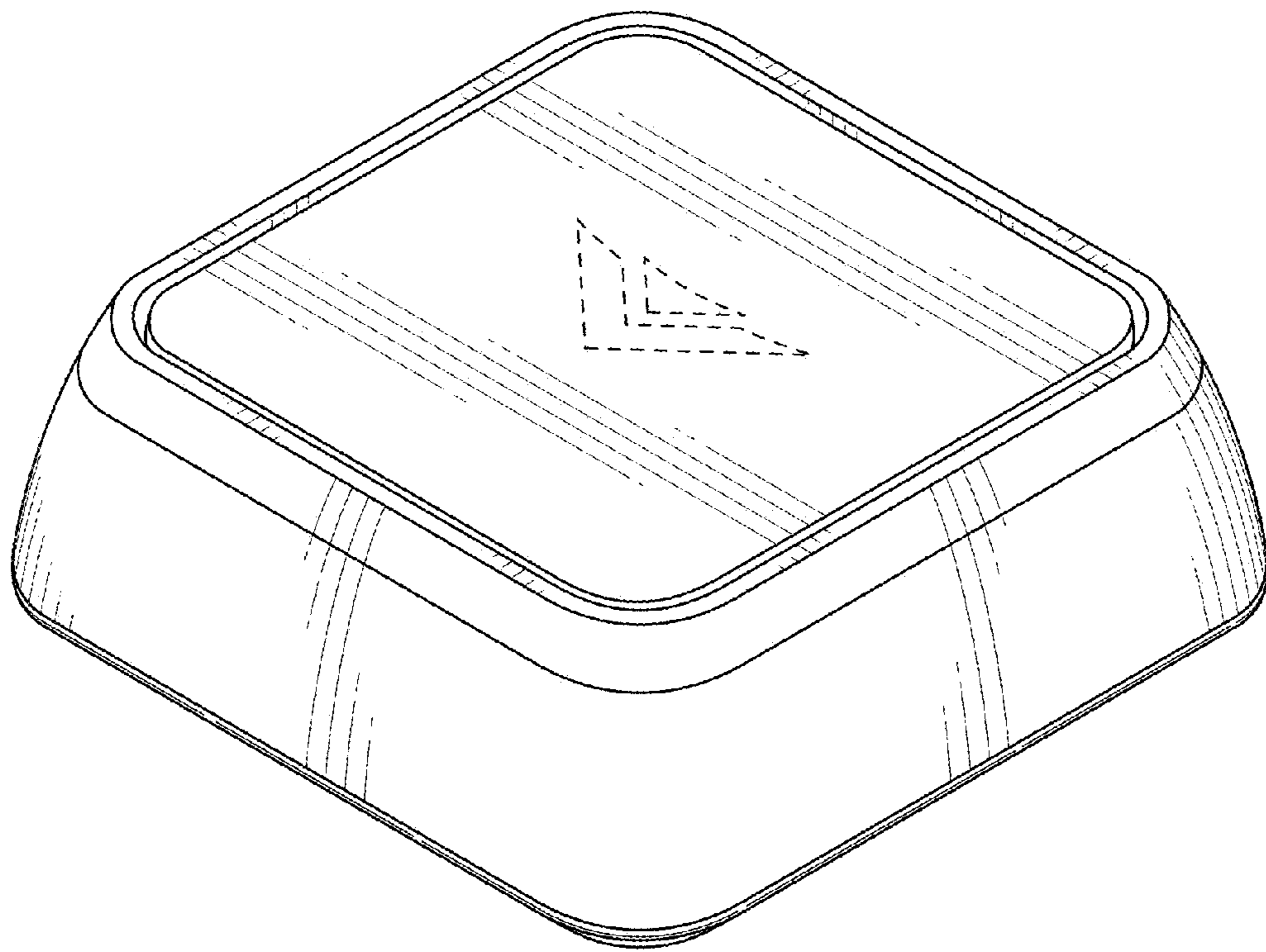


FIG. 1

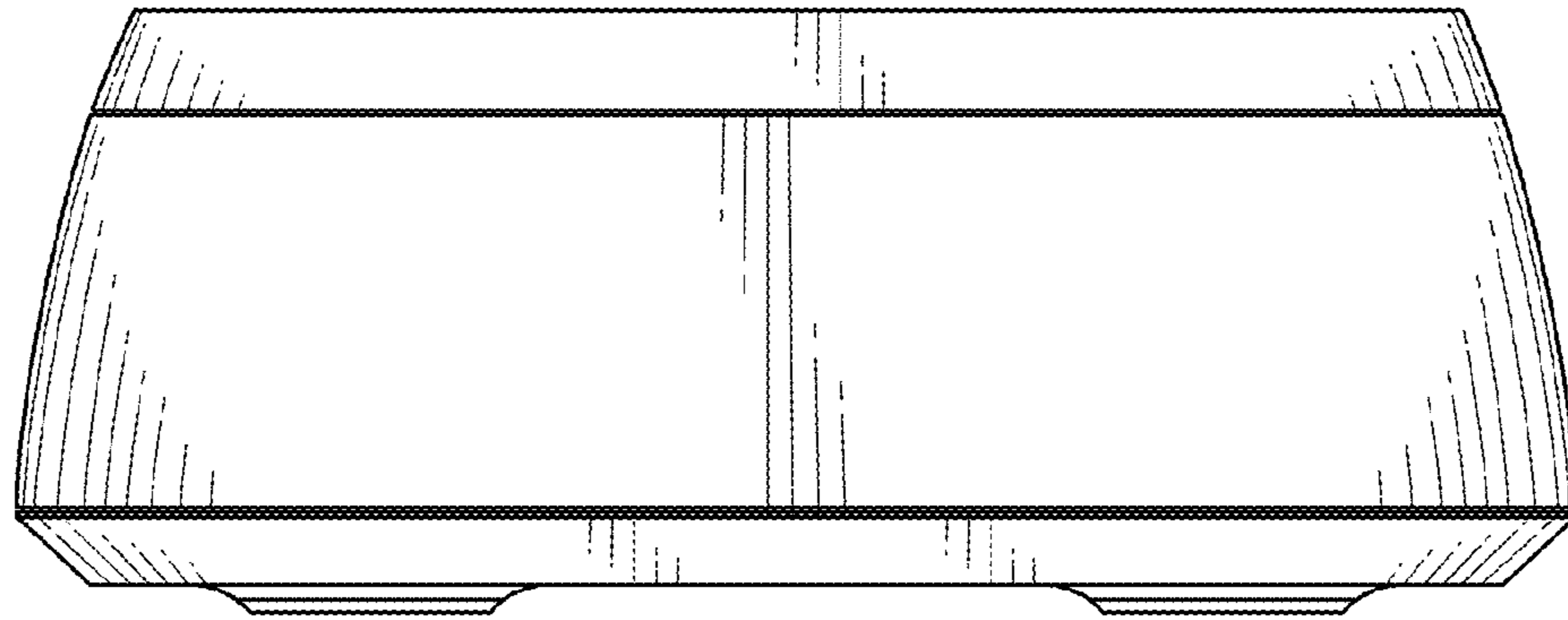


FIG. 2

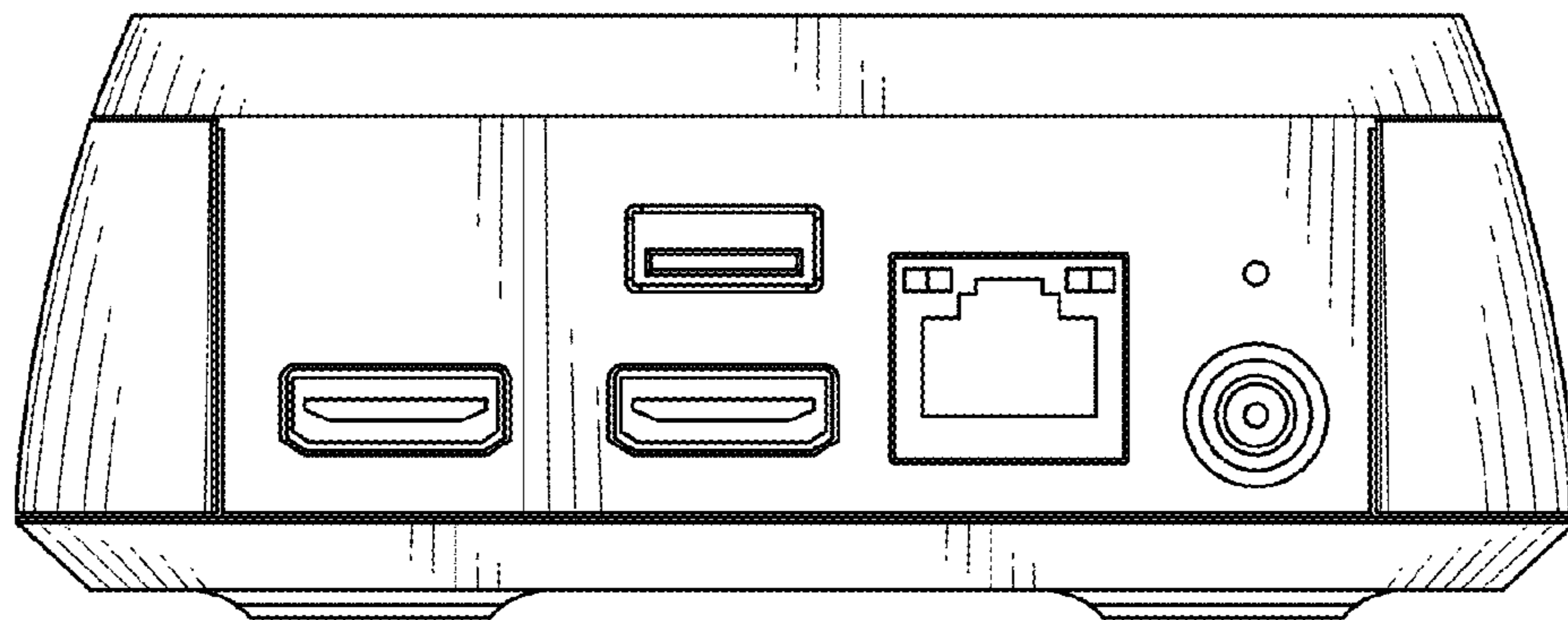


FIG. 3

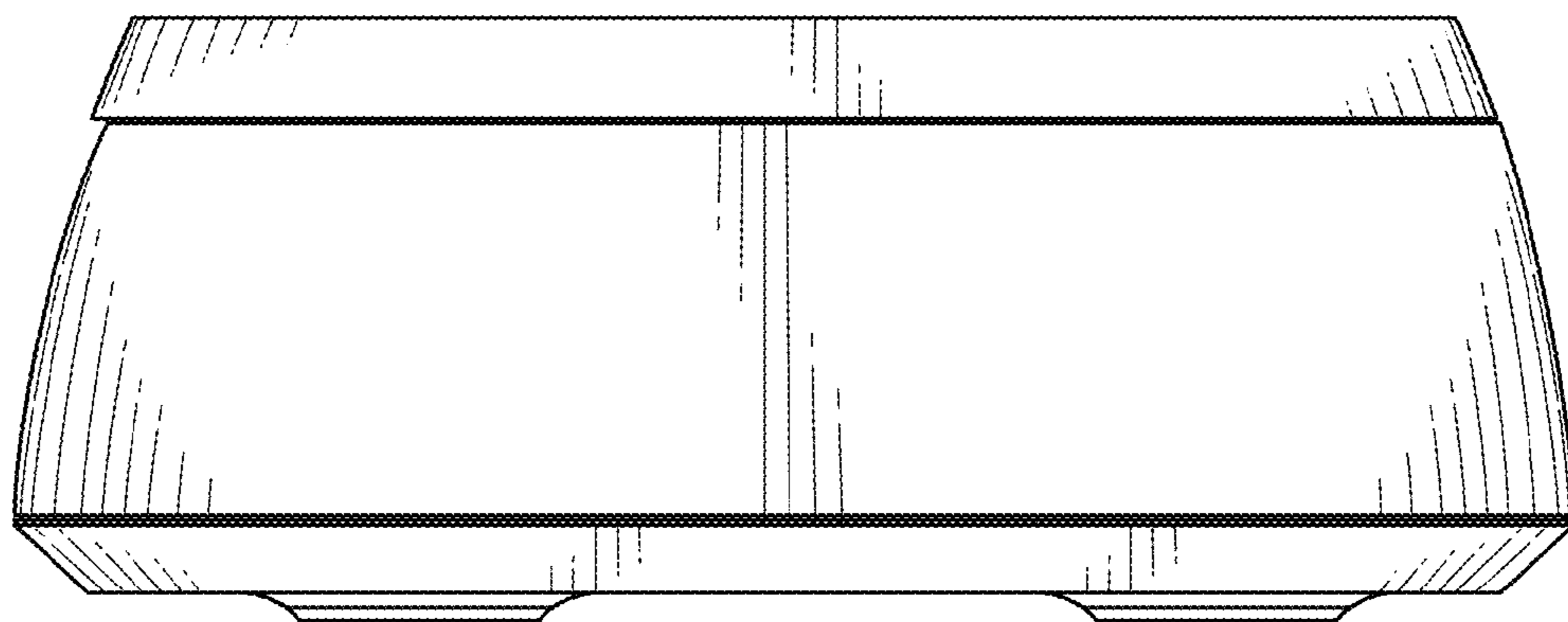


FIG. 4

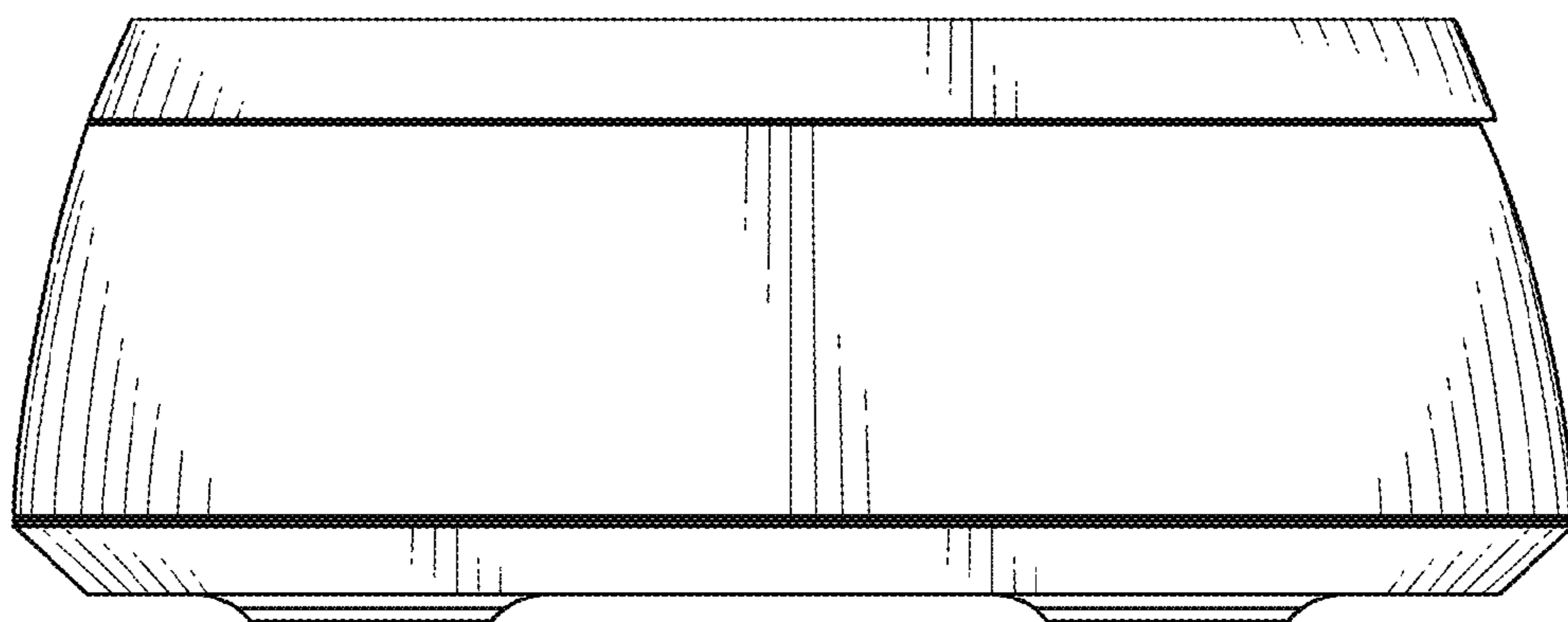


FIG. 5

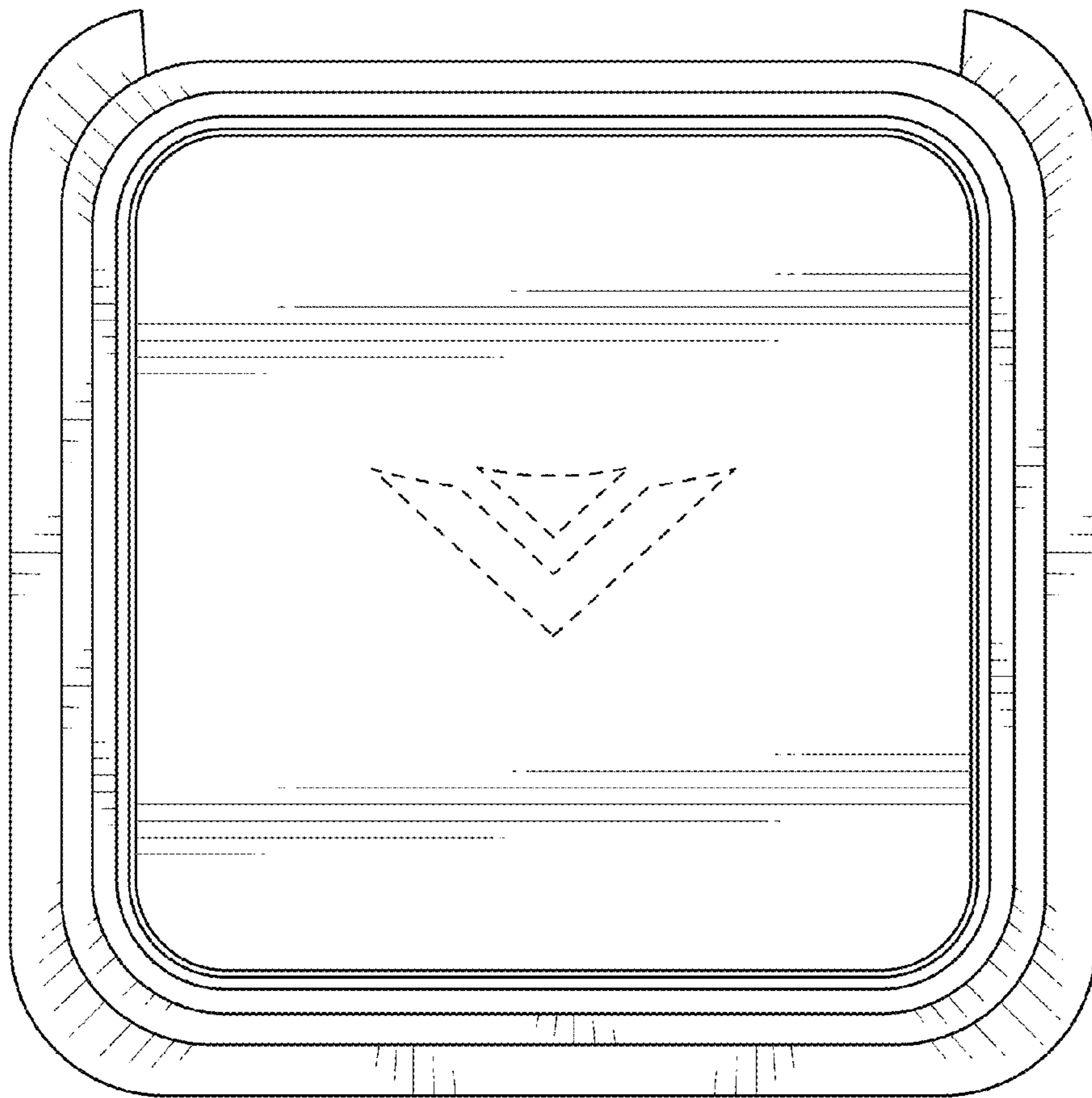


FIG. 6

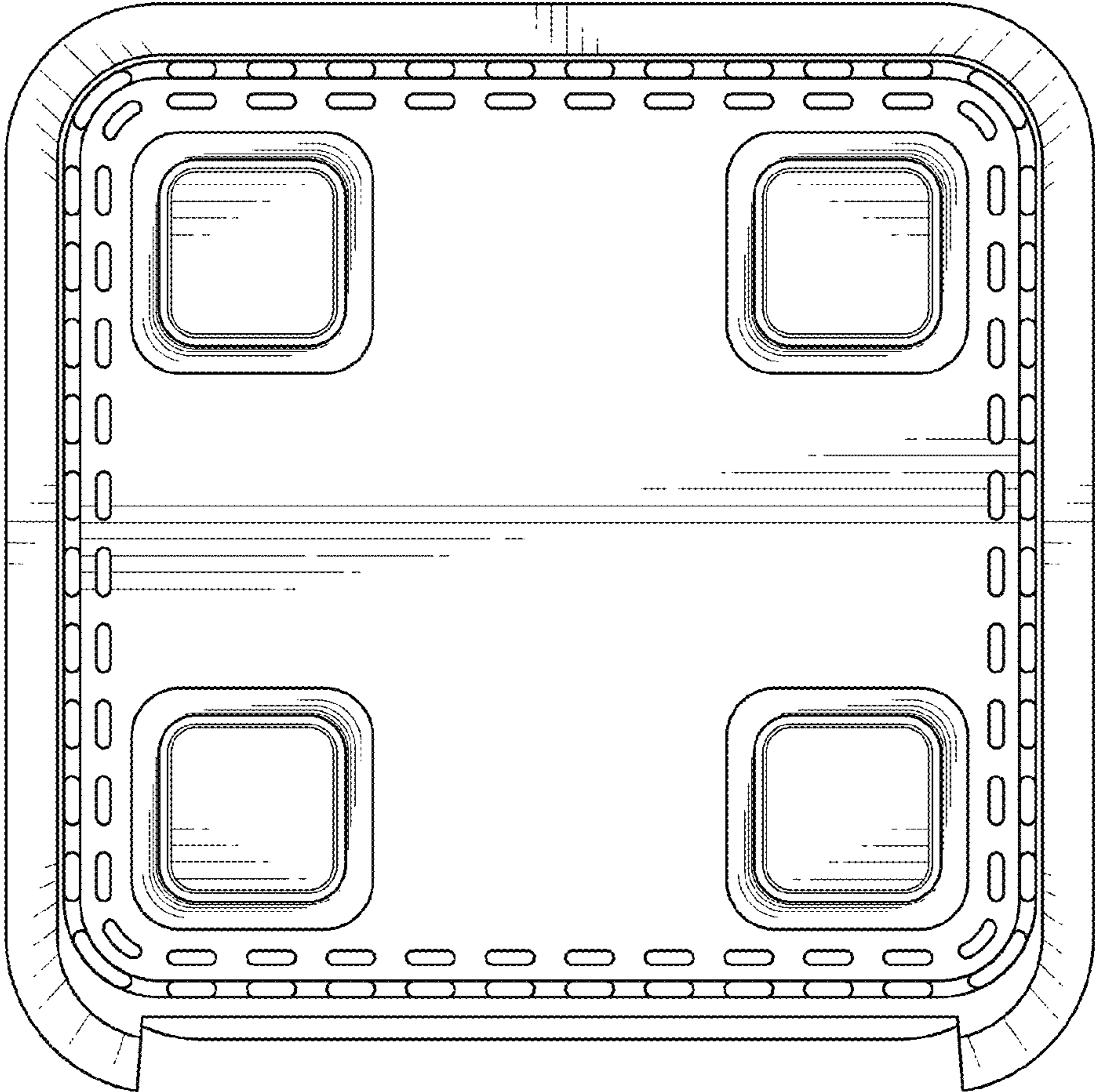


FIG. 7