



US00D745478S

(12) **United States Design Patent**  
**Andresen et al.**

(10) **Patent No.:** **US D745,478 S**  
(45) **Date of Patent:** **\*\* Dec. 15, 2015**

(54) **ELECTRICAL HOUSING**

(71) Applicant: **Phoenix Contact GmbH & Co. KG,**  
Blomberg (DE)  
(72) Inventors: **Jens Andresen,** Blomberg (DE);  
**Thorsten Diessel,** Hiddenhausen (DE);  
**Dennis Sprenger,** Horn-Bad Meinberg  
(DE); **Detlef Nehm,**  
Schieder-Schwalenberg (DE)  
(73) Assignee: **PHOENIX CONTACT GMBH & CO.**  
**KG,** Blomberg (DE)

(\*\*) Term: **14 Years**

(21) Appl. No.: **29/467,093**

(22) Filed: **Sep. 16, 2013**

(30) **Foreign Application Priority Data**

Mar. 19, 2013 (DE) ..... 40 2013 001 374

(51) **LOC (10) Cl.** ..... **13-99**

(52) **U.S. Cl.**  
USPC ..... **D13/184**

(58) **Field of Classification Search**  
USPC ..... D13/123, 133, 150, 151, 153, 154, 156,  
D13/184, 199; 439/97, 98, 105, 108, 207,  
439/208, 304, 310, 325, 338, 344, 345, 347,  
439/350, 367, 370, 372, 374, 527, 532, 533,  
439/620.15, 894, 901, 903; D10/81;  
361/158.1

CPC ..... H01R 13/516

See application file for complete search history.

(56) **References Cited**

U.S. PATENT DOCUMENTS

D252,568	S	*	8/1979	Comstock	.....	D13/184
4,404,615	A	*	9/1983	Dep	.....	361/212
D409,580	S	*	5/1999	Belinky et al.	.....	D13/184
6,213,795	B1	*	4/2001	Drescher et al.	.....	439/157
7,297,014	B1	*	11/2007	Stowers et al.	.....	439/372
D561,125	S	*	2/2008	Stowers et al.	.....	D13/184
D587,200	S	*	2/2009	Allwood et al.	.....	D13/133
D617,666	S	*	6/2010	Stowers et al.	.....	D10/81
7,938,685	B2	*	5/2011	Zwanger	.....	439/607.55
D648,274	S	*	11/2011	Spilker et al.	.....	D13/133
D648,275	S	*	11/2011	Spilker et al.	.....	D13/133
8,348,693	B2	*	1/2013	Stowers et al.	.....	439/364
D719,514	S	*	12/2014	Andresen et al.	.....	D13/151
8,979,568	B2	*	3/2015	Herbrechtsmeier et al.	..	439/346
2003/0132743	A1	*	7/2003	Langouet et al.	.....	324/158.1
2005/0079749	A1	*	4/2005	Schmidt et al.	.....	439/275
2015/0024621	A1	*	1/2015	Diessel et al.	.....	439/353

\* cited by examiner

*Primary Examiner* — Ian Simmons

*Assistant Examiner* — Harold Blackwell, II

(74) *Attorney, Agent, or Firm* — Leydig, Voit & Mayer, Ltd.

(57) **CLAIM**

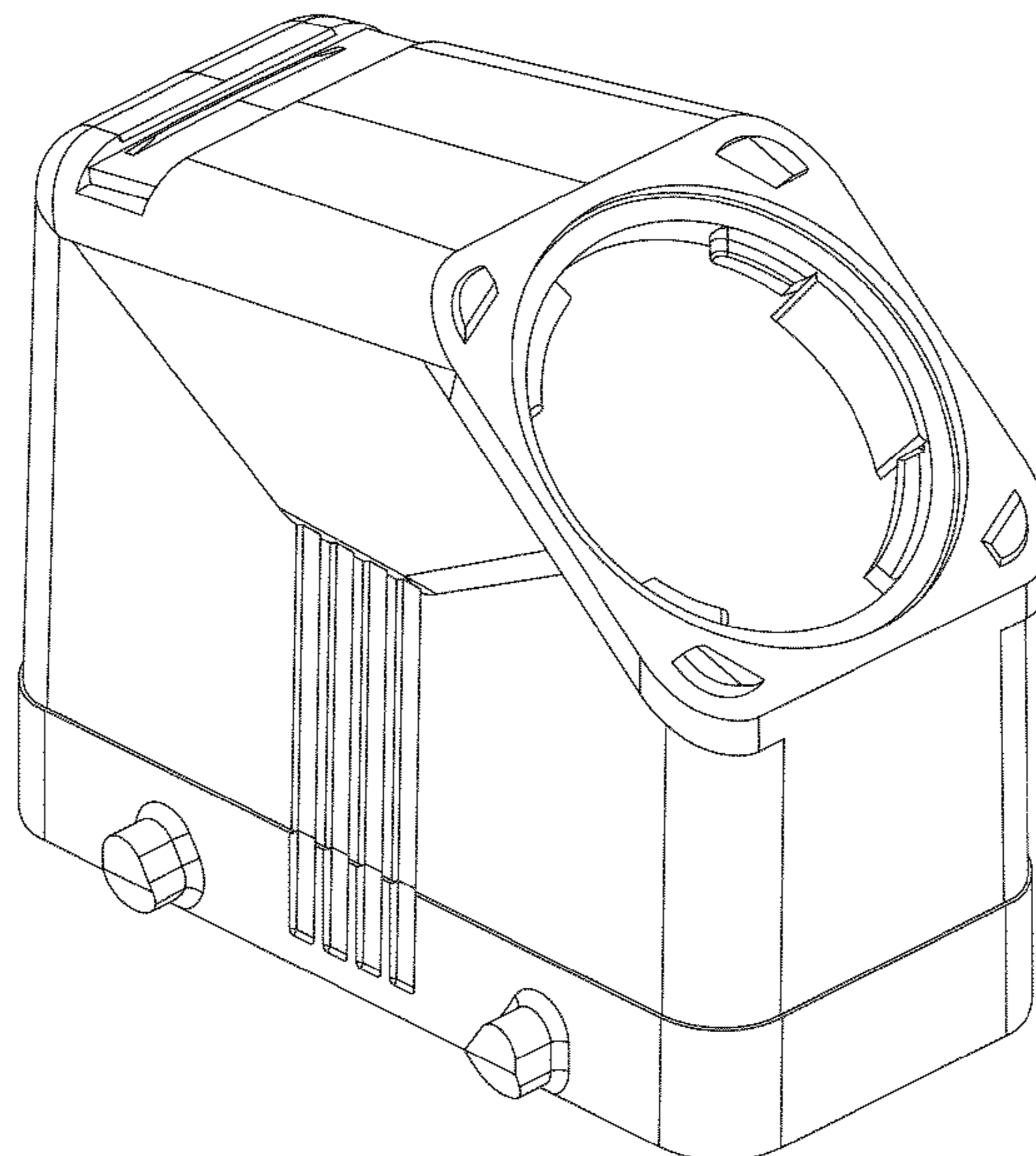
The ornamental design for an electrical housing, as shown and described.

**DESCRIPTION**

FIG. 1 is a top left front perspective view of the electrical housing showing my new design;  
FIG. 2 is a bottom plan view thereof;  
FIG. 3 is a front elevational view thereof;  
FIG. 4 is a left side elevational view thereof;  
FIG. 5 is a back elevational view thereof;  
FIG. 6 is a right side elevational view thereof; and,  
FIG. 7 is a top plan view thereof.

The broken lines in the drawings illustrate portions of an electrical housing which form no part of the claimed design.

**1 Claim, 7 Drawing Sheets**



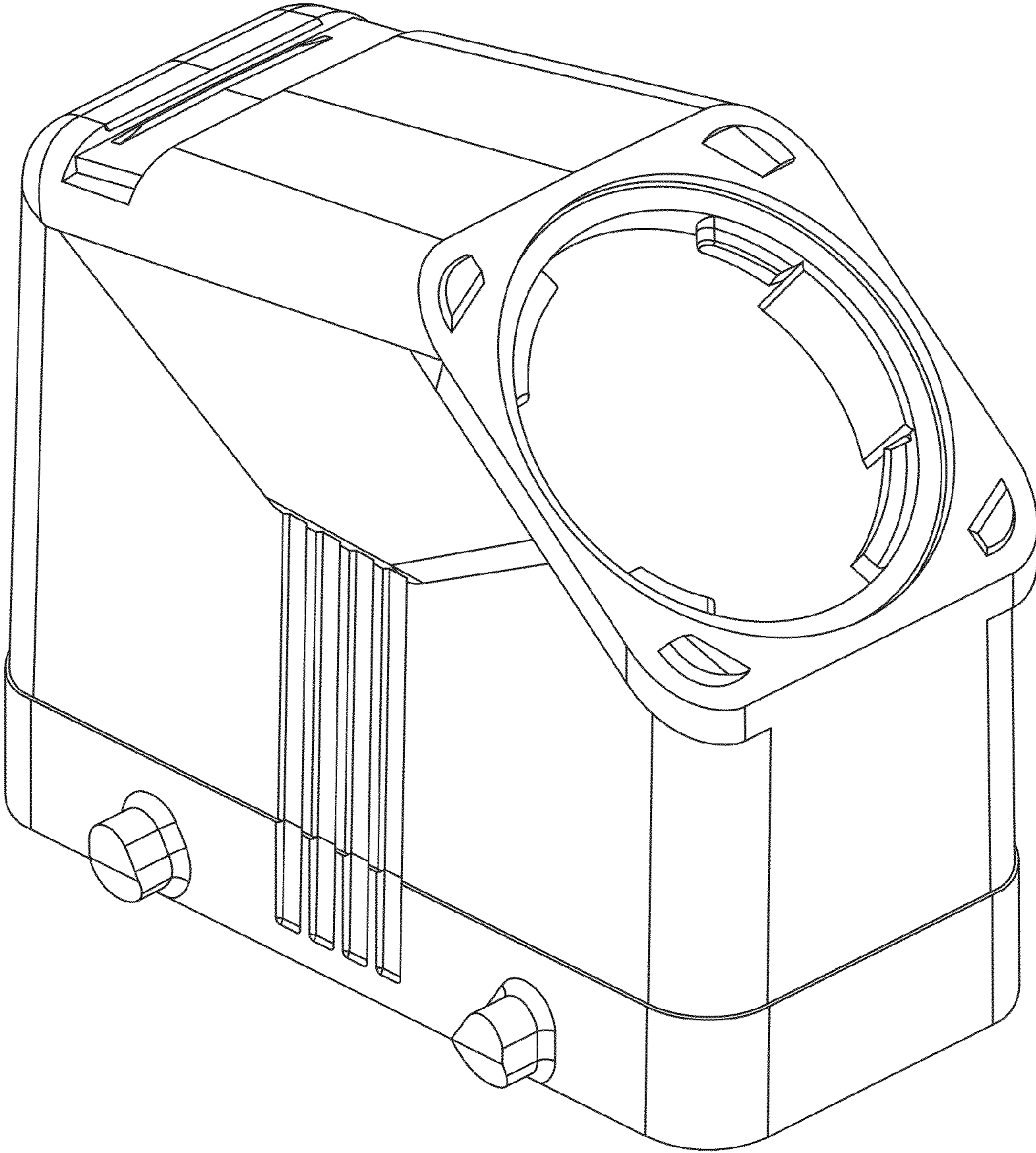


FIG. 1

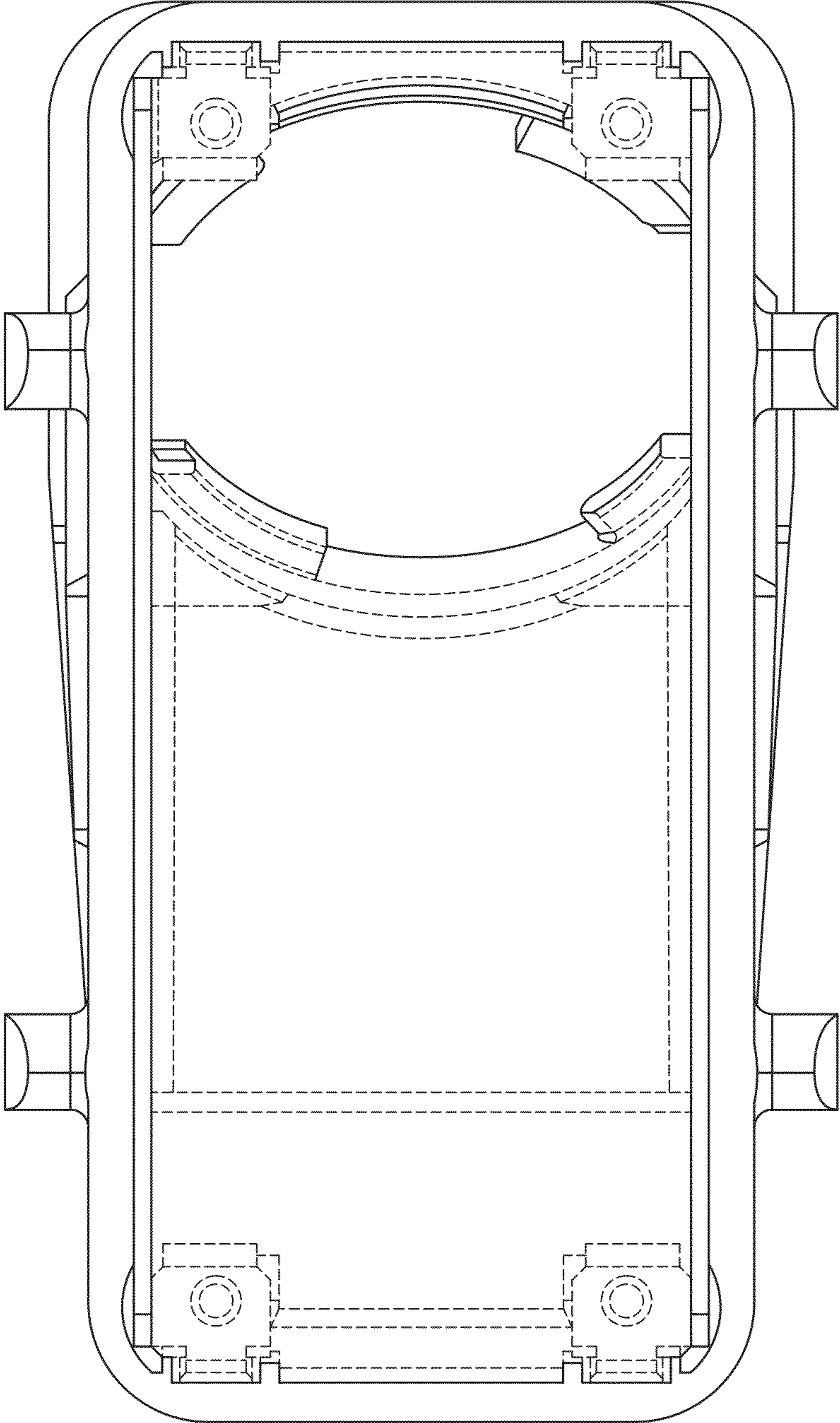


FIG. 2

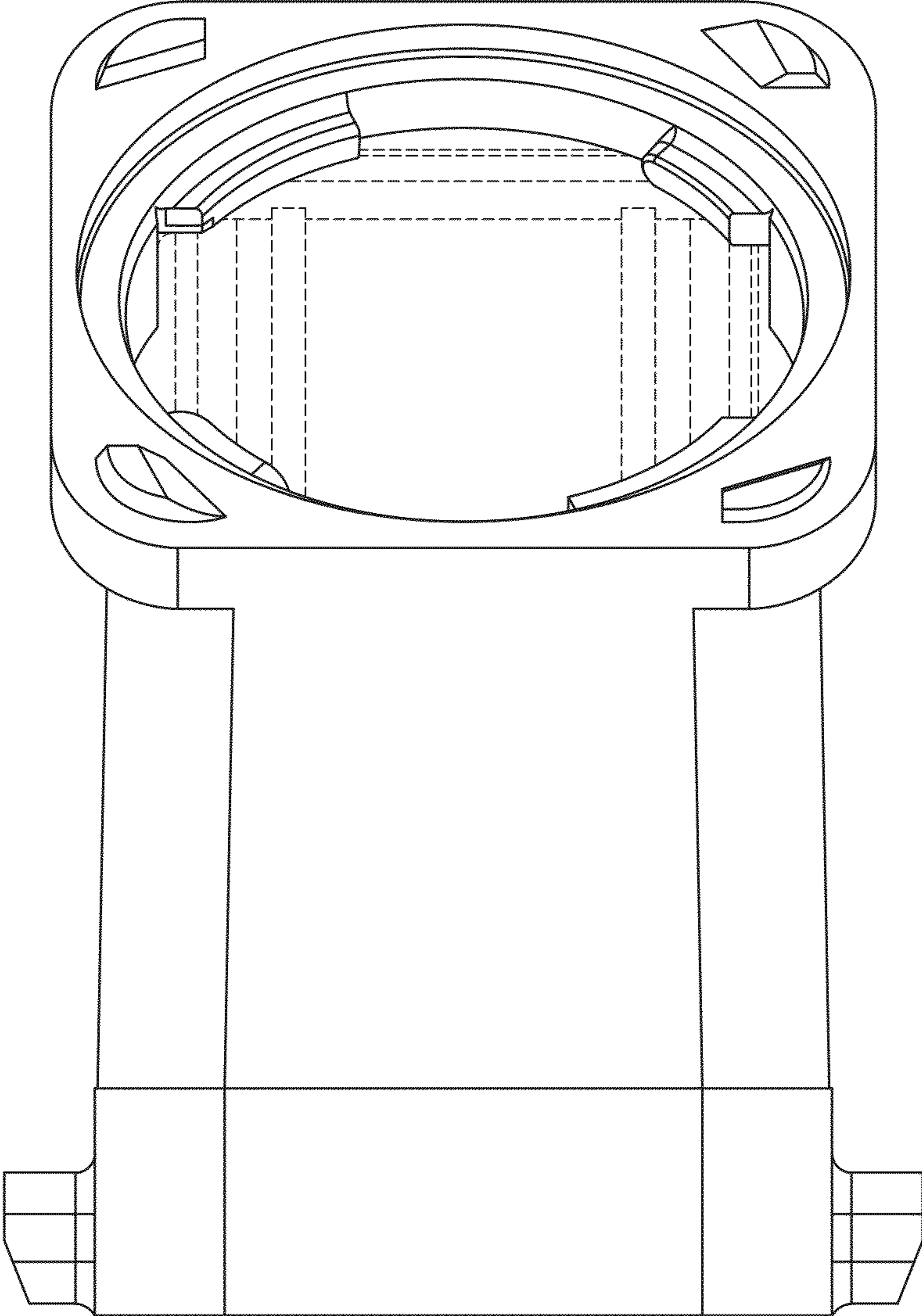


FIG. 3

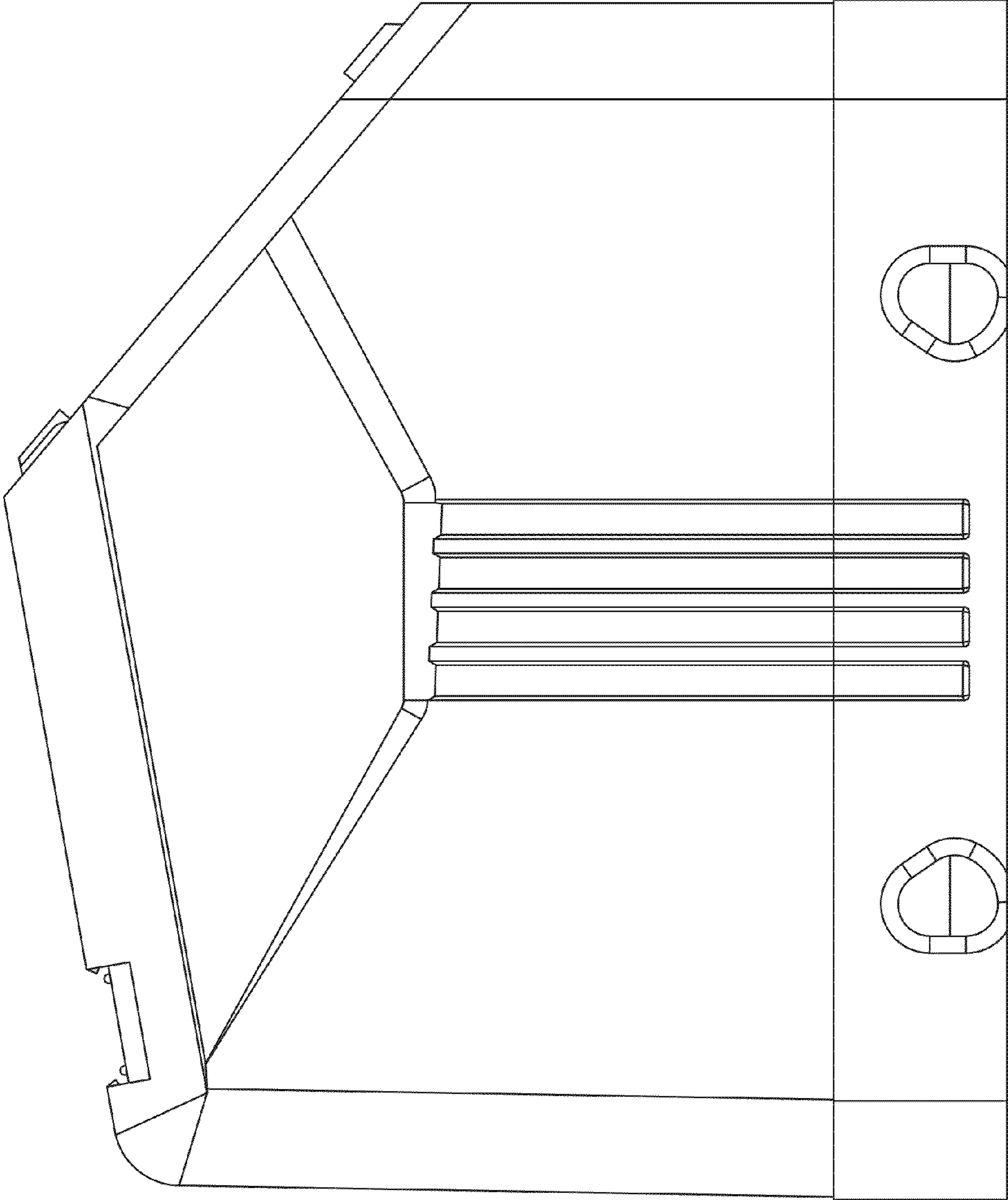


FIG. 4

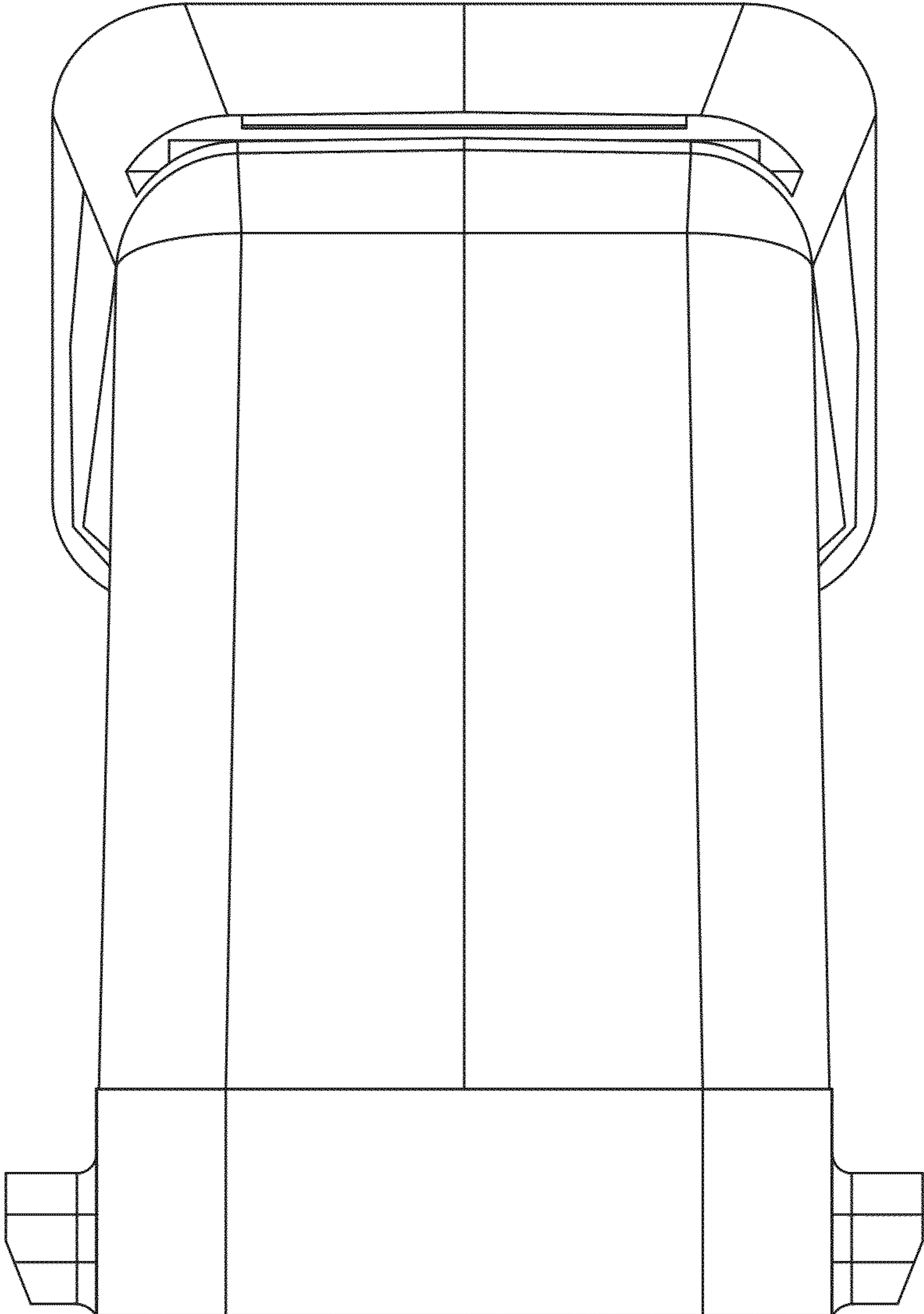


FIG. 5

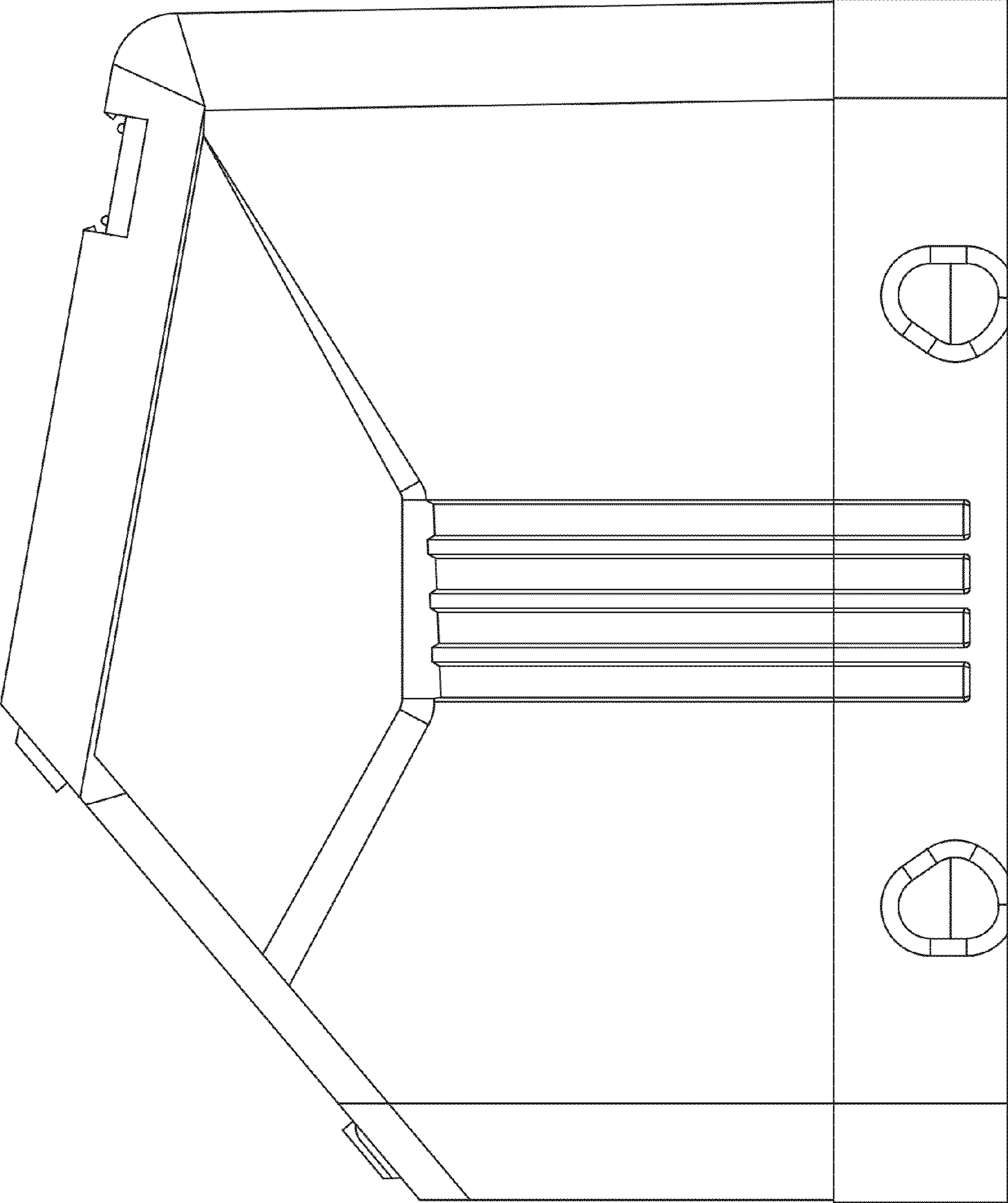


FIG. 6

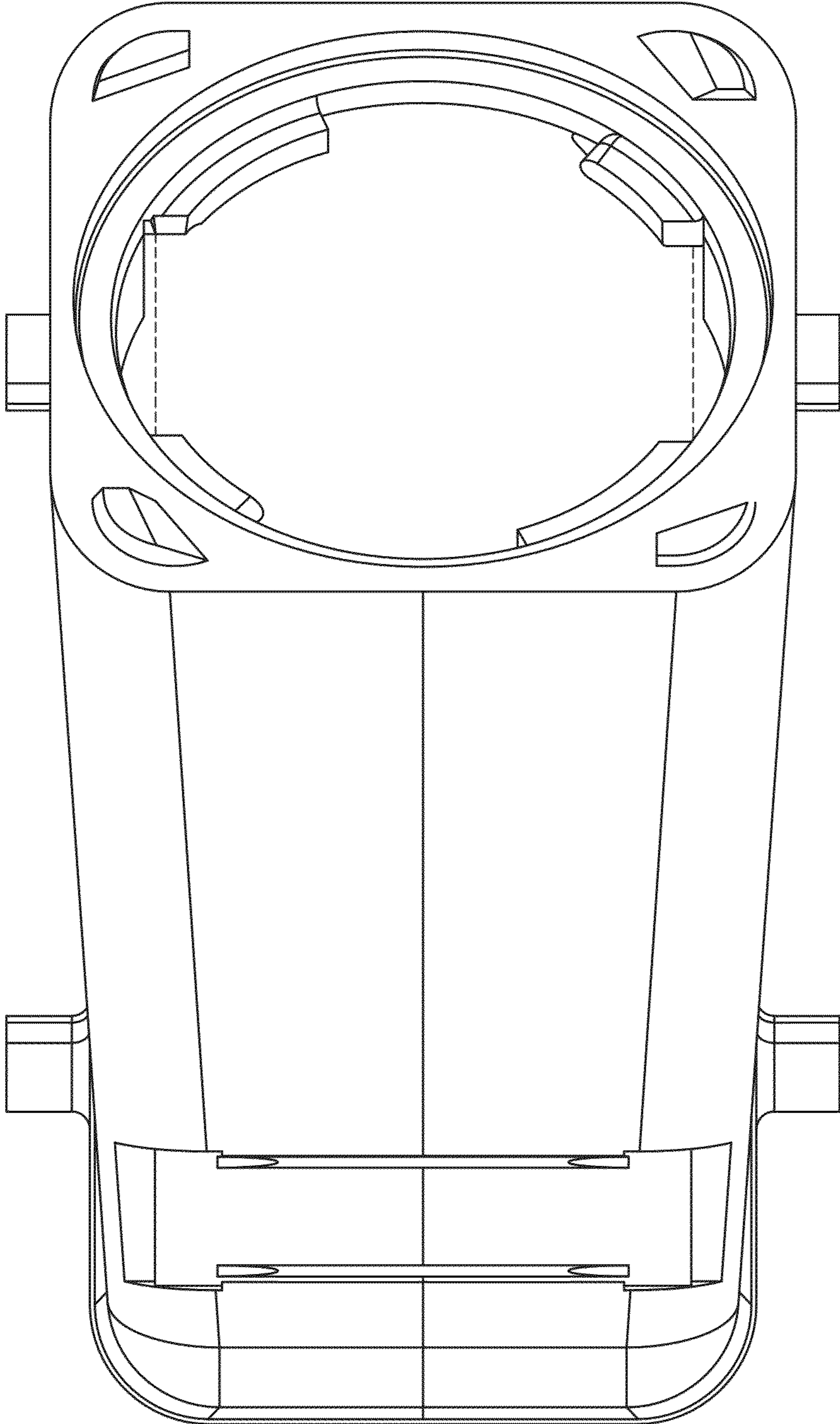


FIG. 7