



US00D745477S

(12) **United States Design Patent**  
**Nitz**

(10) **Patent No.:** **US D745,477 S**

(45) **Date of Patent:** **\*\* Dec. 15, 2015**

(54) **HOUSING FOR ELECTRONIC CIRCUITRY**

(71) Applicant: **Nitz Engineering GmbH**, Bixen (IT)

(72) Inventor: **Rüdiger Nitz**, Brixen (IT)

(73) Assignee: **Nitz Engineering GmbH**, Brixen (IT)

(\*\*) Term: **14 Years**

(21) Appl. No.: **29/456,709**

(22) Filed: **Jun. 3, 2013**

(30) **Foreign Application Priority Data**

Dec. 7, 2012 (EM) ..... 002149419

(51) **LOC (10) Cl.** ..... **13-03**

(52) **U.S. Cl.**  
USPC ..... **D13/184**

(58) **Field of Classification Search**  
USPC ..... D13/139.4, 152, 154, 156, 158, 160,  
D13/173, 184, 199; 174/50, 53-55, 58, 60,  
174/64, 66, 67, 480-81; 220/3.2, 3.3,  
220/3.7-3.9, 241-42, 315; 439/135-6, 367,  
439/373, 535-37, 541, 892-93; 248/906  
CPC ..... H02G 3/08  
See application file for complete search history.

(56) **References Cited**

U.S. PATENT DOCUMENTS

D461,455	S	*	8/2002	Forbes	.....	D13/152
7,009,110	B1	*	3/2006	Gretz	.....	174/58
7,148,420	B1	*	12/2006	Johnson et al.	.....	174/58
7,667,136	B2	*	2/2010	Dinh et al.	.....	174/58
D661,668	S	*	6/2012	Rose	.....	D13/184
D677,634	S	*	3/2013	Korcz et al.	.....	D13/152

\* cited by examiner

*Primary Examiner* — Ian Simmons

*Assistant Examiner* — Harold Blackwell, II

(74) *Attorney, Agent, or Firm* — Myers Wolin, LLC

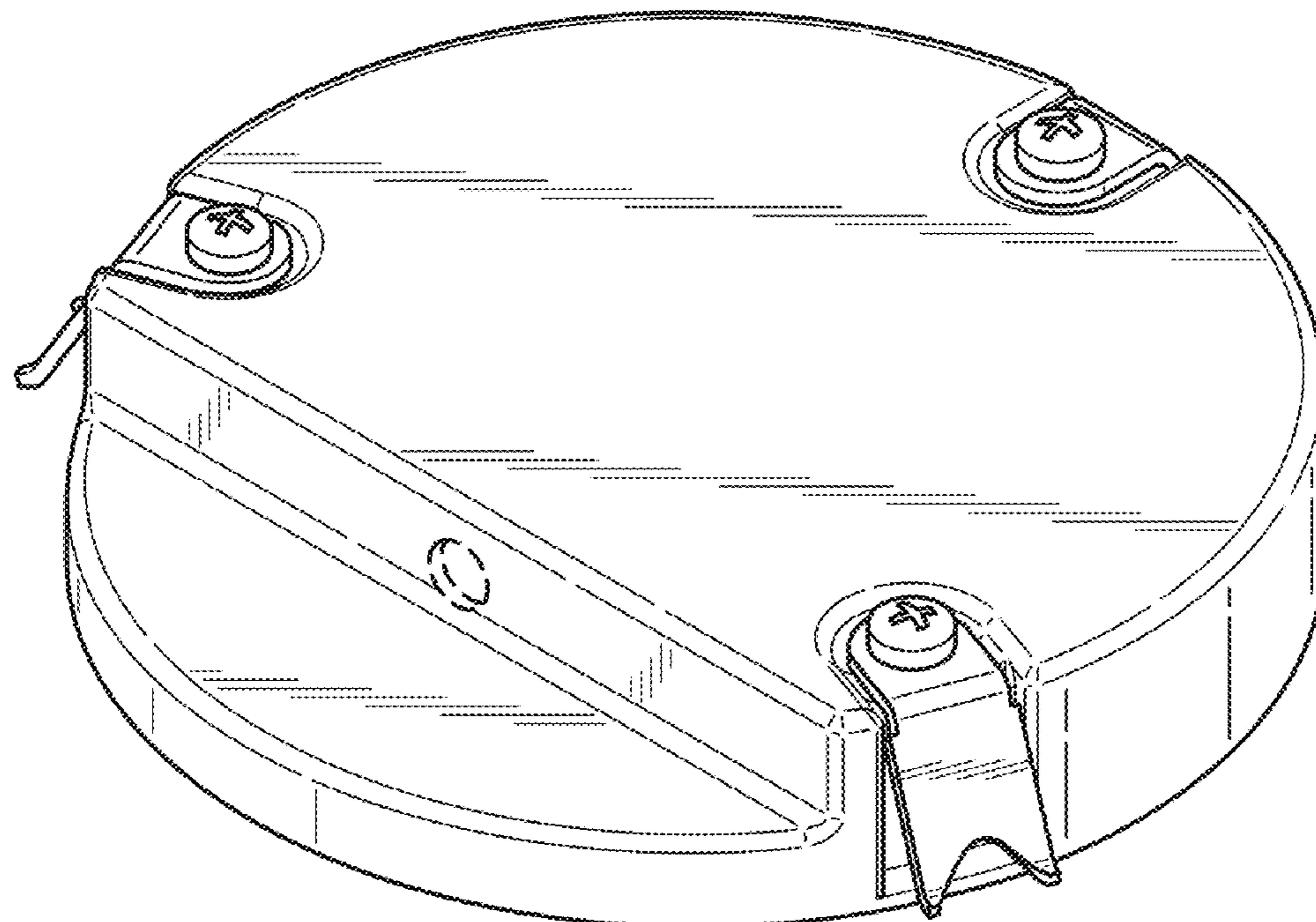
(57) **CLAIM**

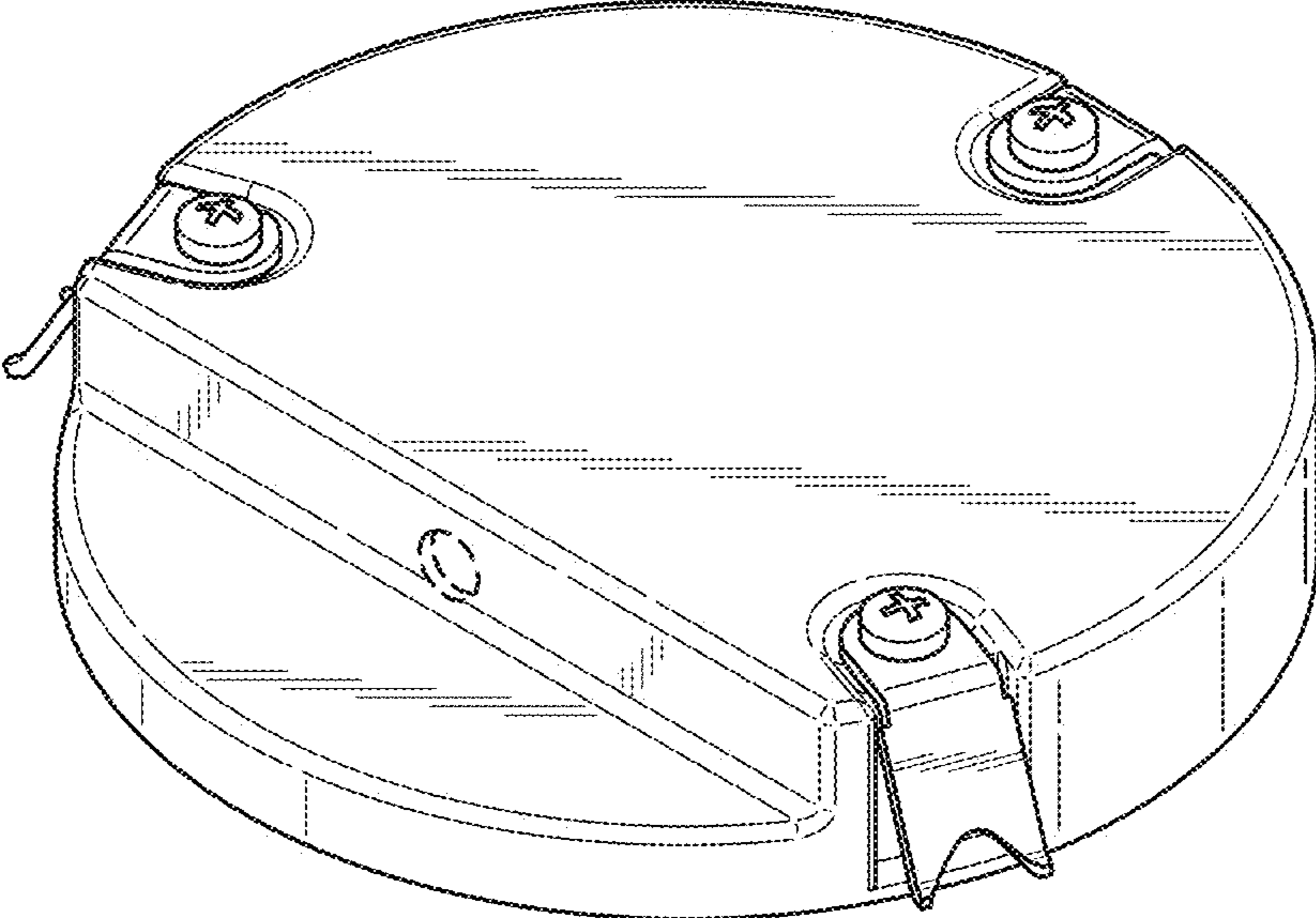
The ornamental design for a housing for electronic circuitry, as shown and described.

**DESCRIPTION**

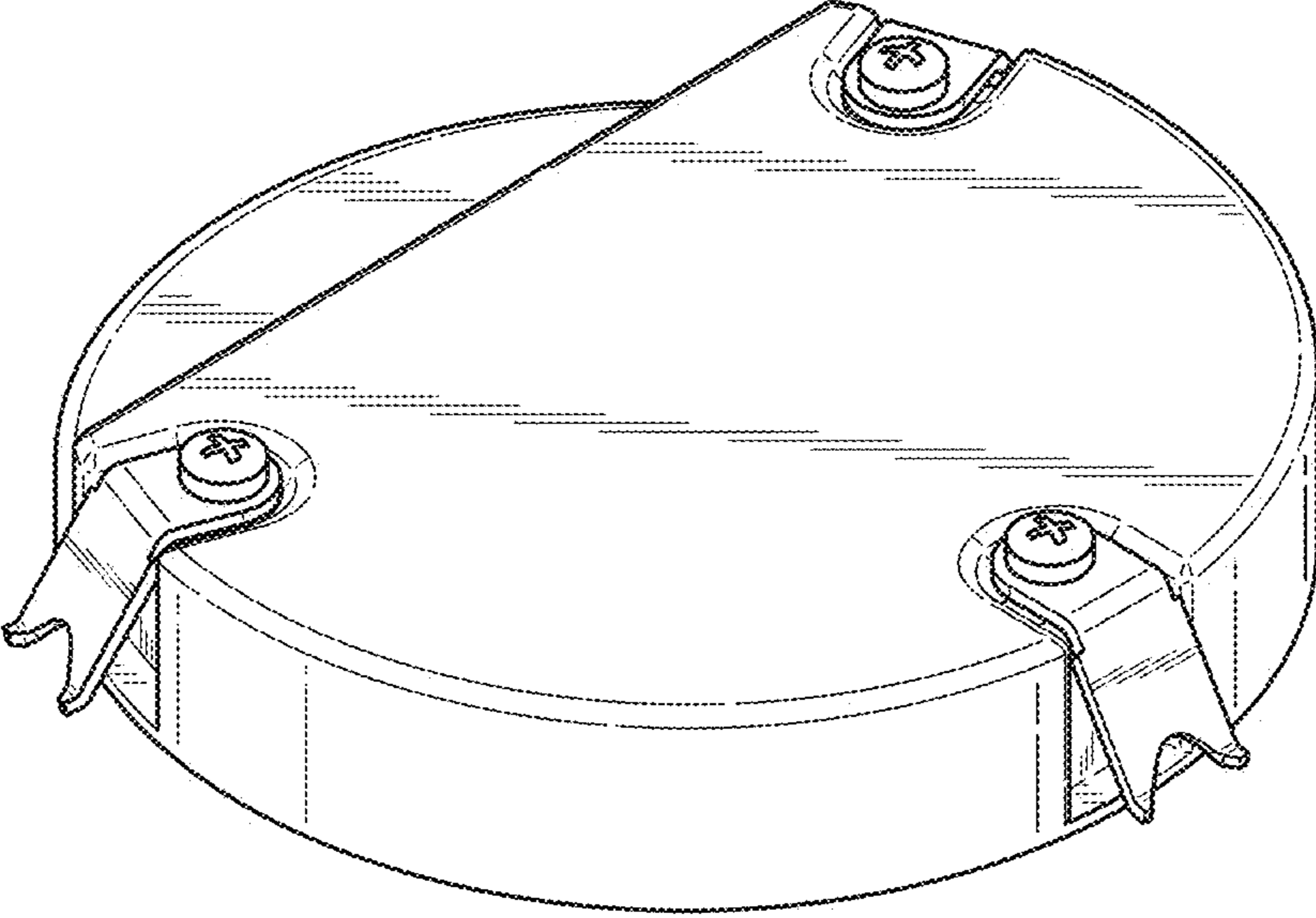
FIG. 1 is a front perspective of a housing for electronic circuitry showing my new design;  
FIG. 2 is a rear perspective view thereof;  
FIG. 3 is a left side elevation view thereof;  
FIG. 4 is a top view thereof;  
FIG. 5 is a right side elevation view thereof; and,  
FIG. 6 is a front elevation view thereof, the rear elevation view being a mirror image thereof.  
The broken lines in the drawings illustrate portions of the housing for electronic circuitry which form no part of the claimed design.

**1 Claim, 2 Drawing Sheets**

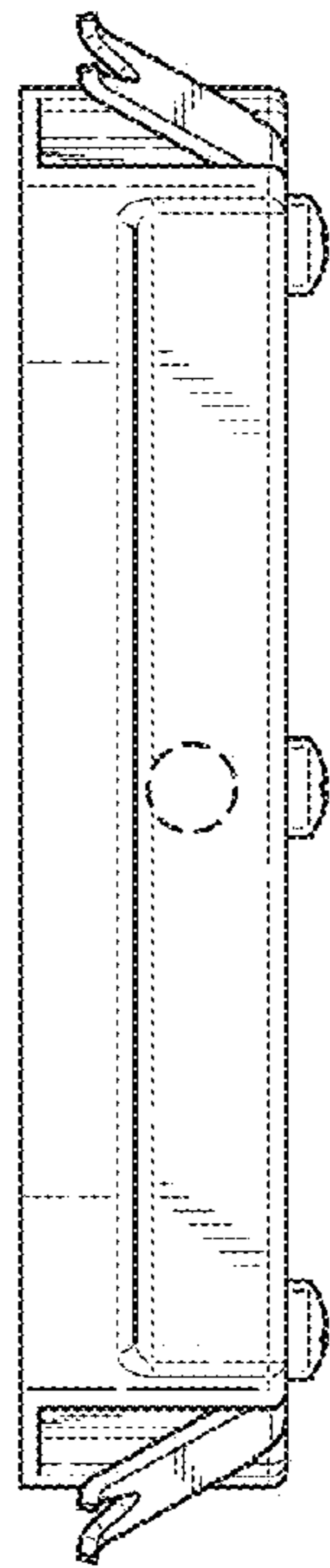




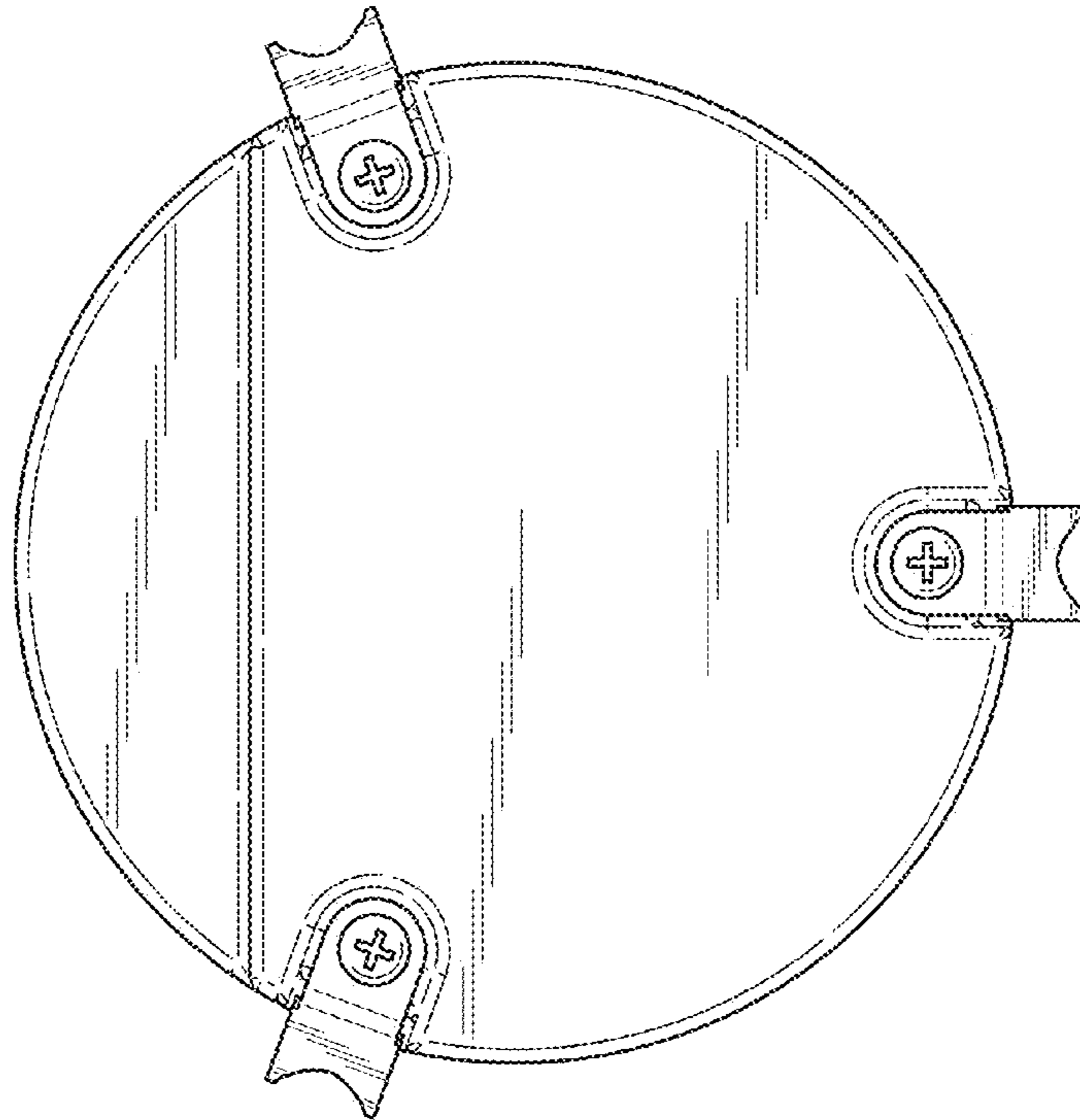
*FIG. 1*



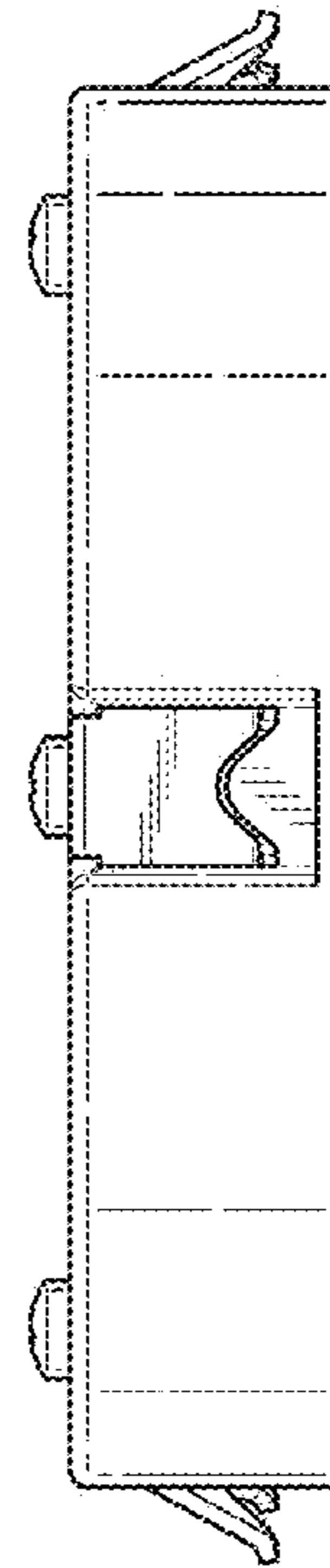
*FIG. 2*



*FIG. 3*



*FIG. 4*



*FIG. 5*



*FIG. 6*