



US00D745463S

(12) **United States Design Patent**
Kobuchi et al.

(10) **Patent No.:** **US D745,463 S**
(45) **Date of Patent:** **** Dec. 15, 2015**

(54) **ELECTRICAL CONNECTOR**

(71) Applicant: **Japan Aviation Electronics Industry, Limited**, Tokyo (JP)

(72) Inventors: **Toshiro Kobuchi**, Tokyo (JP); **Yoshinori Honma**, Tokyo (JP); **Takayuki Nishimura**, Tokyo (JP); **Hiroaki Obikane**, Tokyo (JP)

(73) Assignee: **Japan Aviation Electronics Industry, Limited**, Tokyo (JP)

(**) Term: **14 Years**

(21) Appl. No.: **29/511,633**

(22) Filed: **Dec. 12, 2014**

(30) **Foreign Application Priority Data**

Jun. 30, 2014 (JP) 2014-014364
Jun. 30, 2014 (JP) 2014-014365

(51) **LOC (10) Cl.** **13-03**

(52) **U.S. Cl.**
USPC **D13/147**

(58) **Field of Classification Search**
USPC D13/147, 154, 184, 199
See application file for complete search history.

(56) **References Cited**

U.S. PATENT DOCUMENTS

D589,898 S * 4/2009 Chen D13/147
D642,534 S * 8/2011 Nishimura D13/147

D642,986 S 8/2011 Nishimura et al.
D681,557 S * 5/2013 Miyazaki D13/147
D684,541 S * 6/2013 Miyazaki D13/147
D692,833 S 11/2013 Nishimura et al.
D695,691 S 12/2013 Kobuchi et al.
D695,692 S * 12/2013 Takenaga D13/147
D696,201 S 12/2013 Takenaga et al.
D703,146 S 4/2014 Takenaga et al.
D733,058 S * 6/2015 Miyazaki D13/147
D737,781 S * 9/2015 Yoshioka D13/147
D738,316 S * 9/2015 Yoshioka D13/154

* cited by examiner

Primary Examiner — Daniel Bui

(74) *Attorney, Agent, or Firm* — Cermak Nakajima & McGowan LLP; Tomoko Nakajima

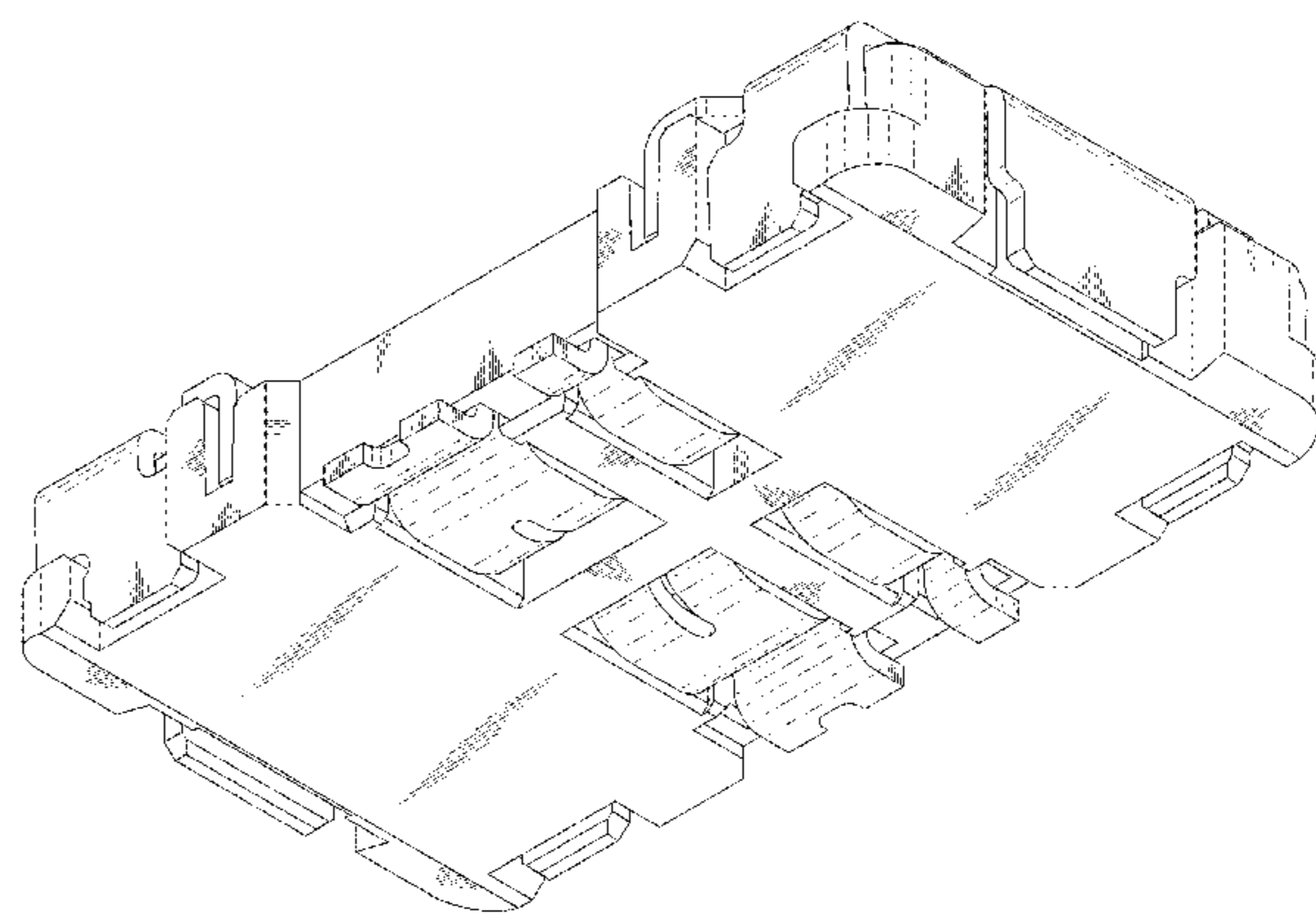
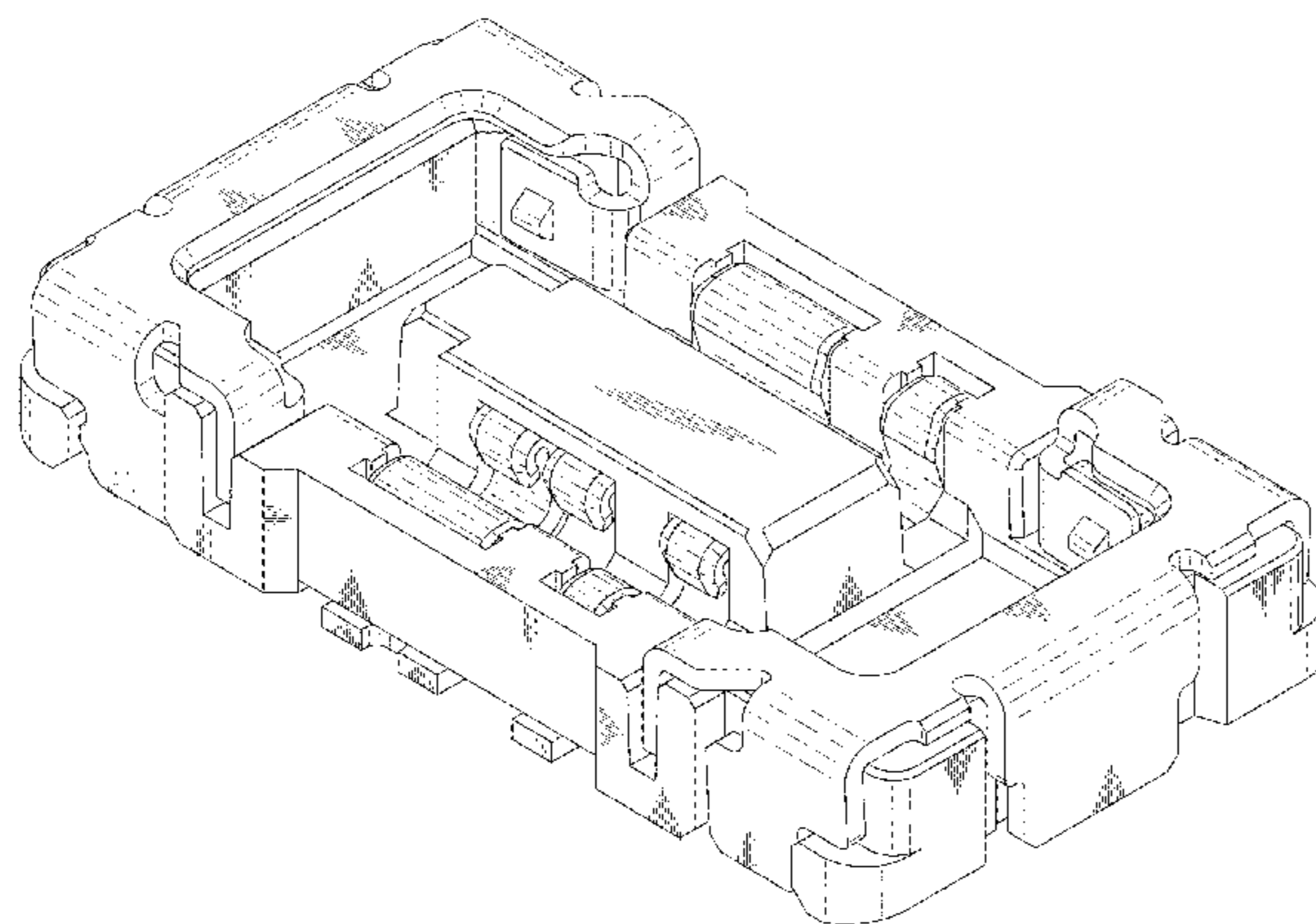
(57) **CLAIM**

The ornamental design for an electrical connector, as shown.

DESCRIPTION

FIG. 1 is a front elevation view of an electrical connector showing our new design;
FIG. 2 is a top plan view thereof;
FIG. 3 is a right side elevation view thereof;
FIG. 4 is a left side elevation view thereof;
FIG. 5 is a rear elevation view thereof; and
FIG. 6 is a bottom plan view thereof.
FIG. 7 is a front and top perspective view thereof;
FIG. 8 is a front and bottom perspective view thereof;
FIG. 9 is a rear and top perspective view thereof; and
FIG. 10 is a rear and bottom perspective view thereof.

1 Claim, 10 Drawing Sheets



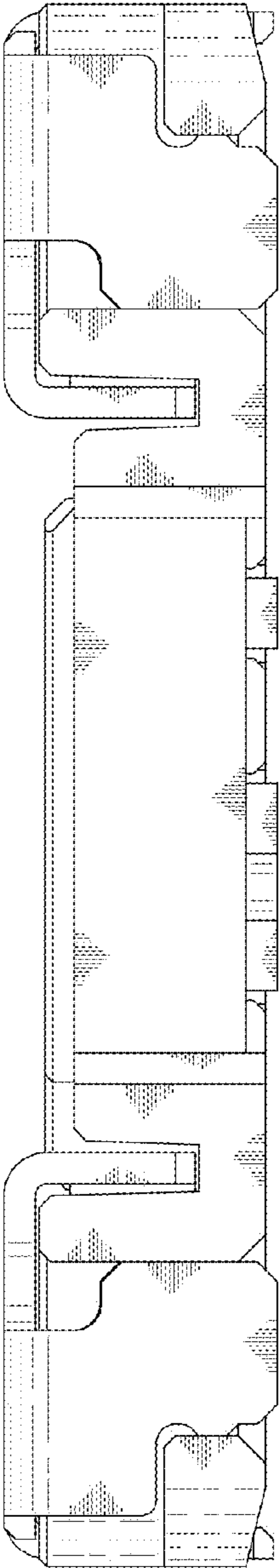


FIG.1

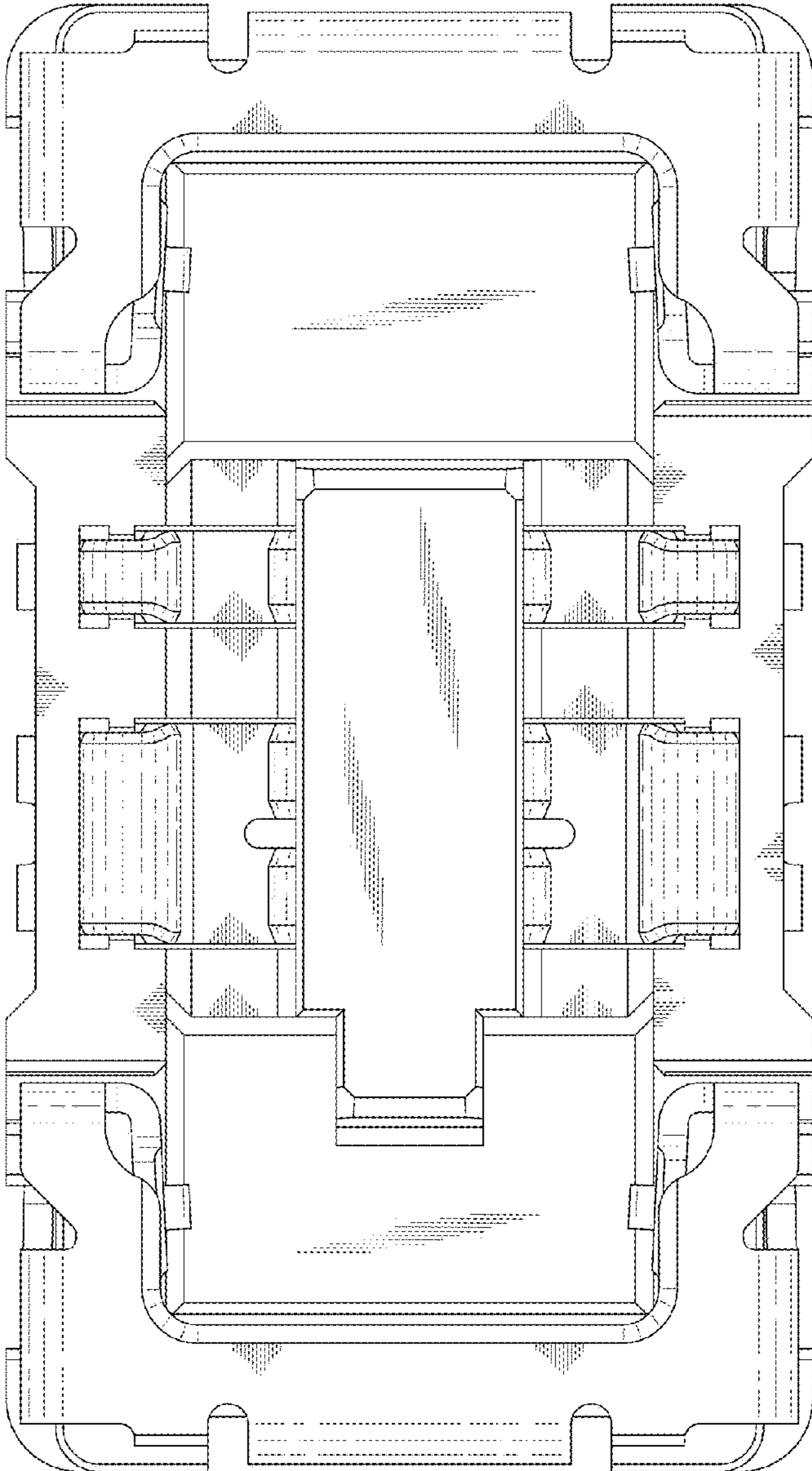


FIG.2

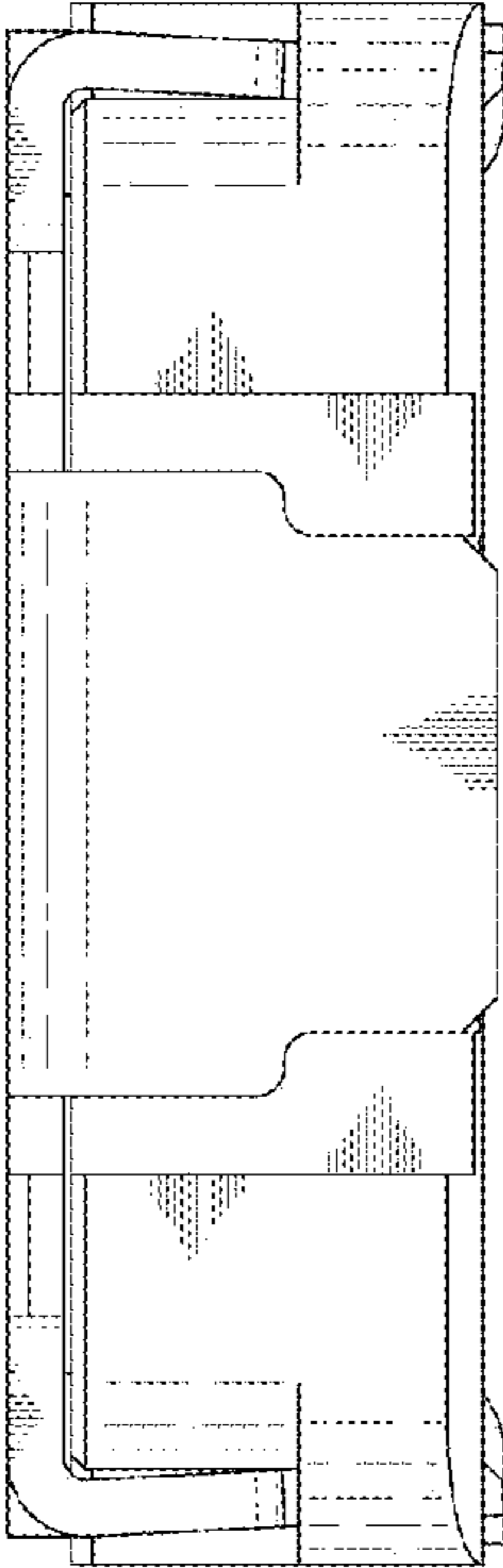


FIG.3

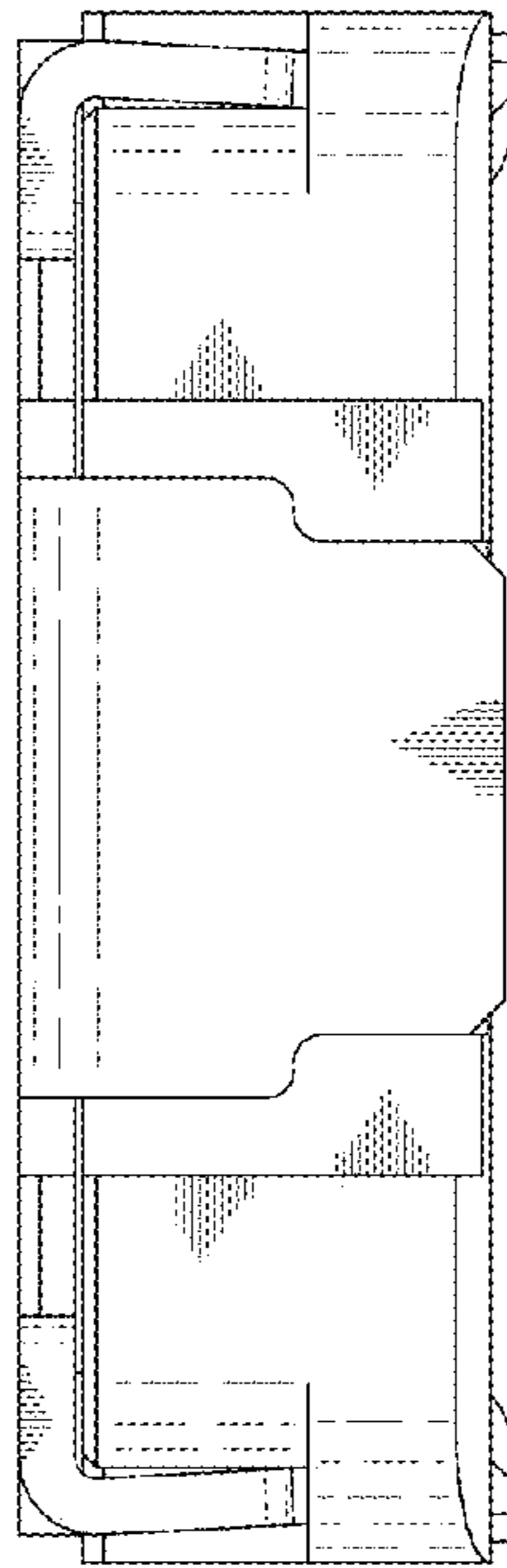


FIG.4

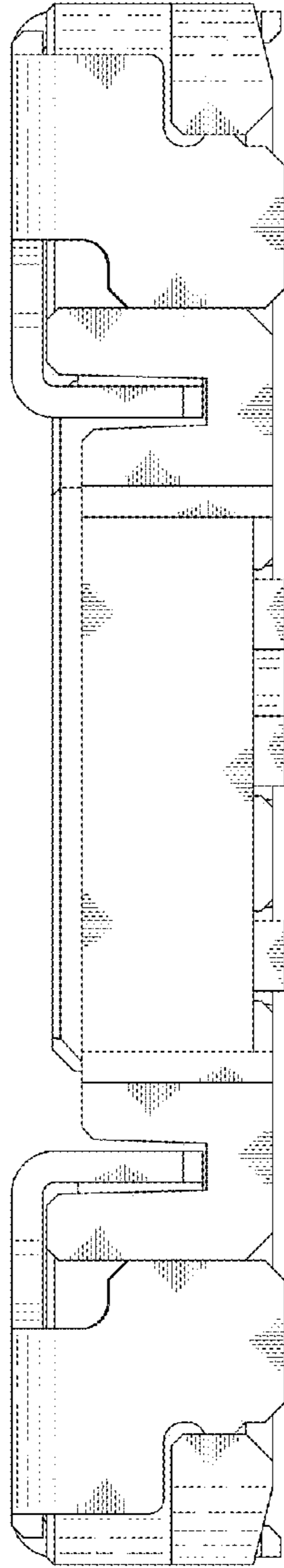


FIG. 5

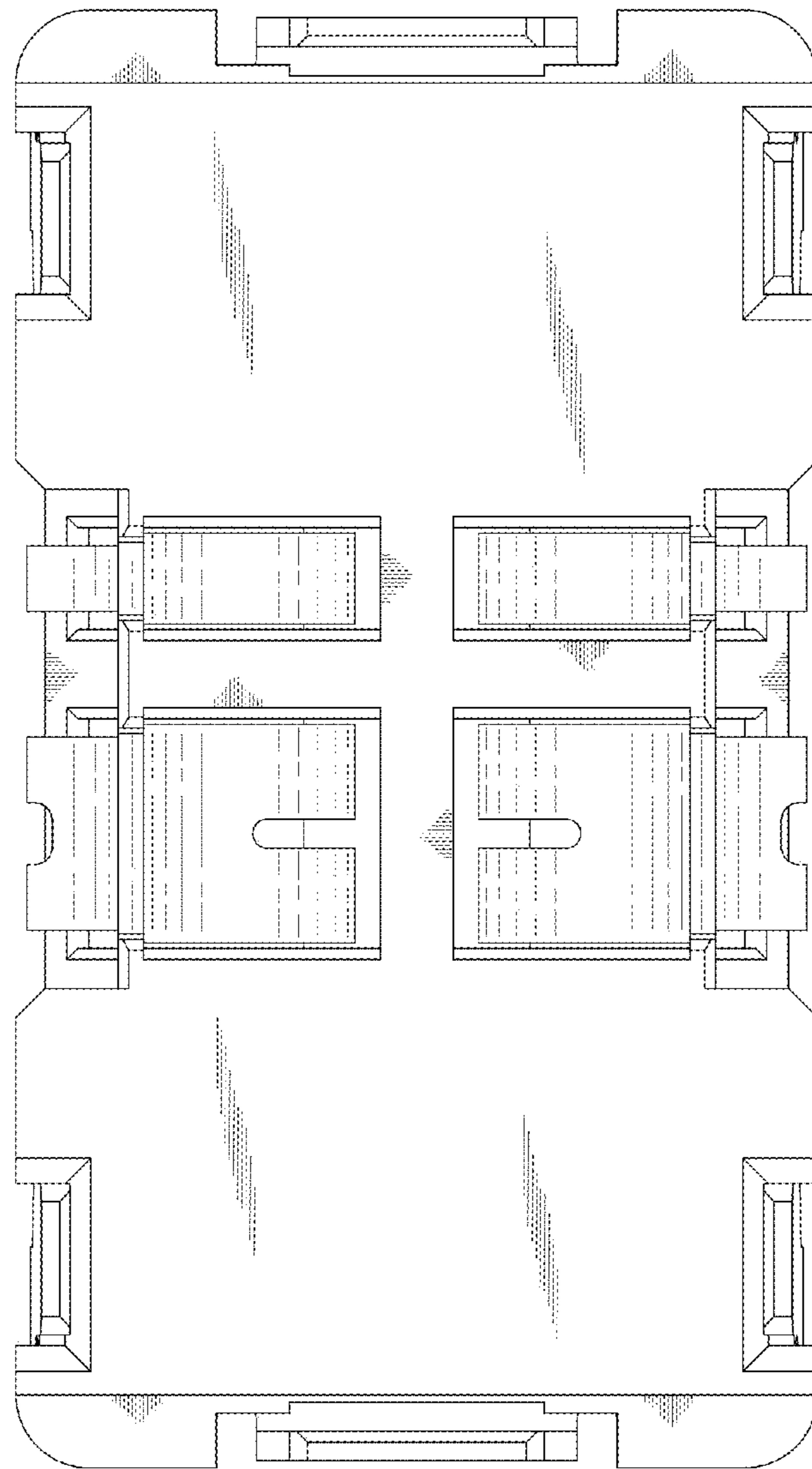


FIG.6

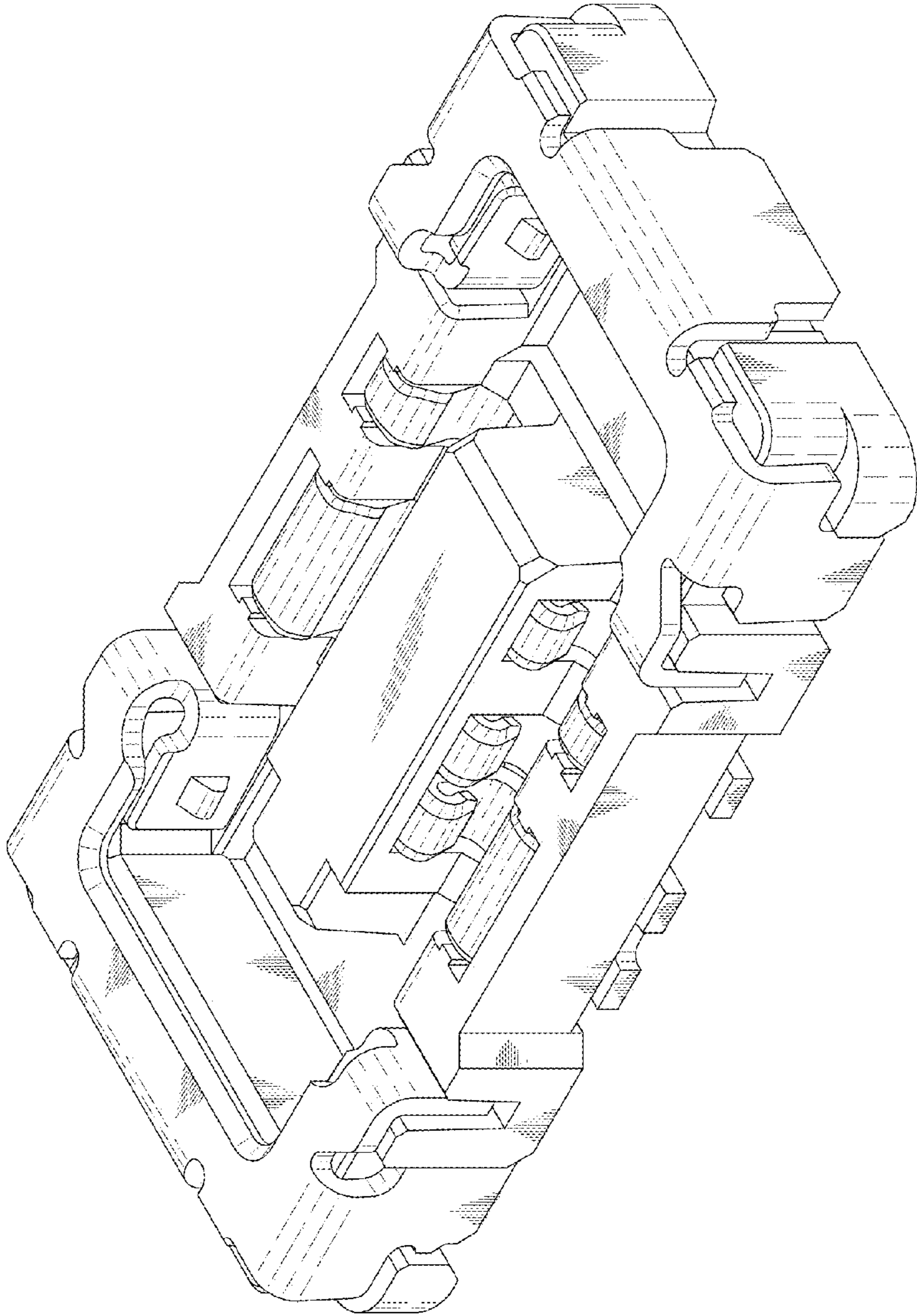


FIG.7

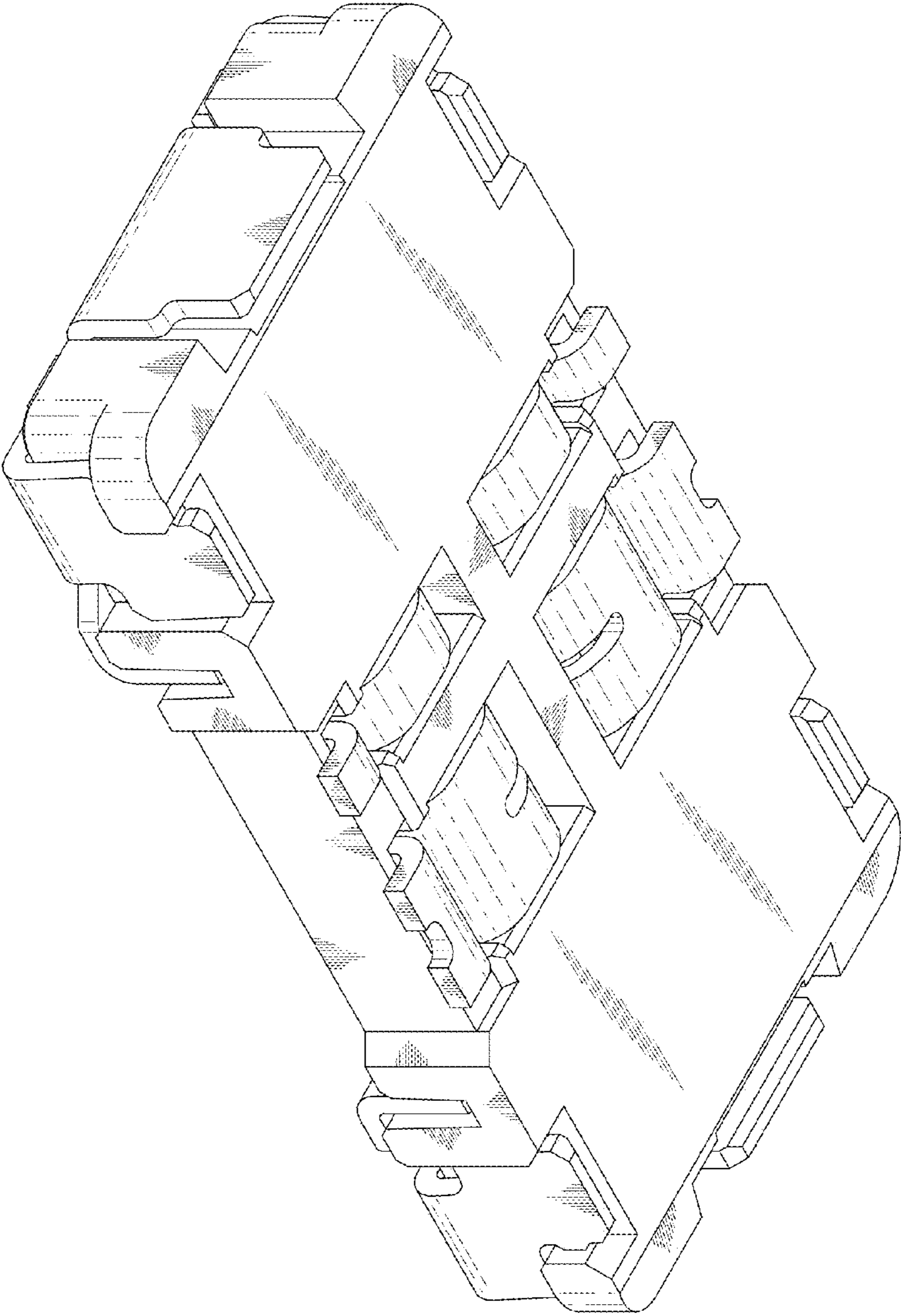


FIG.8

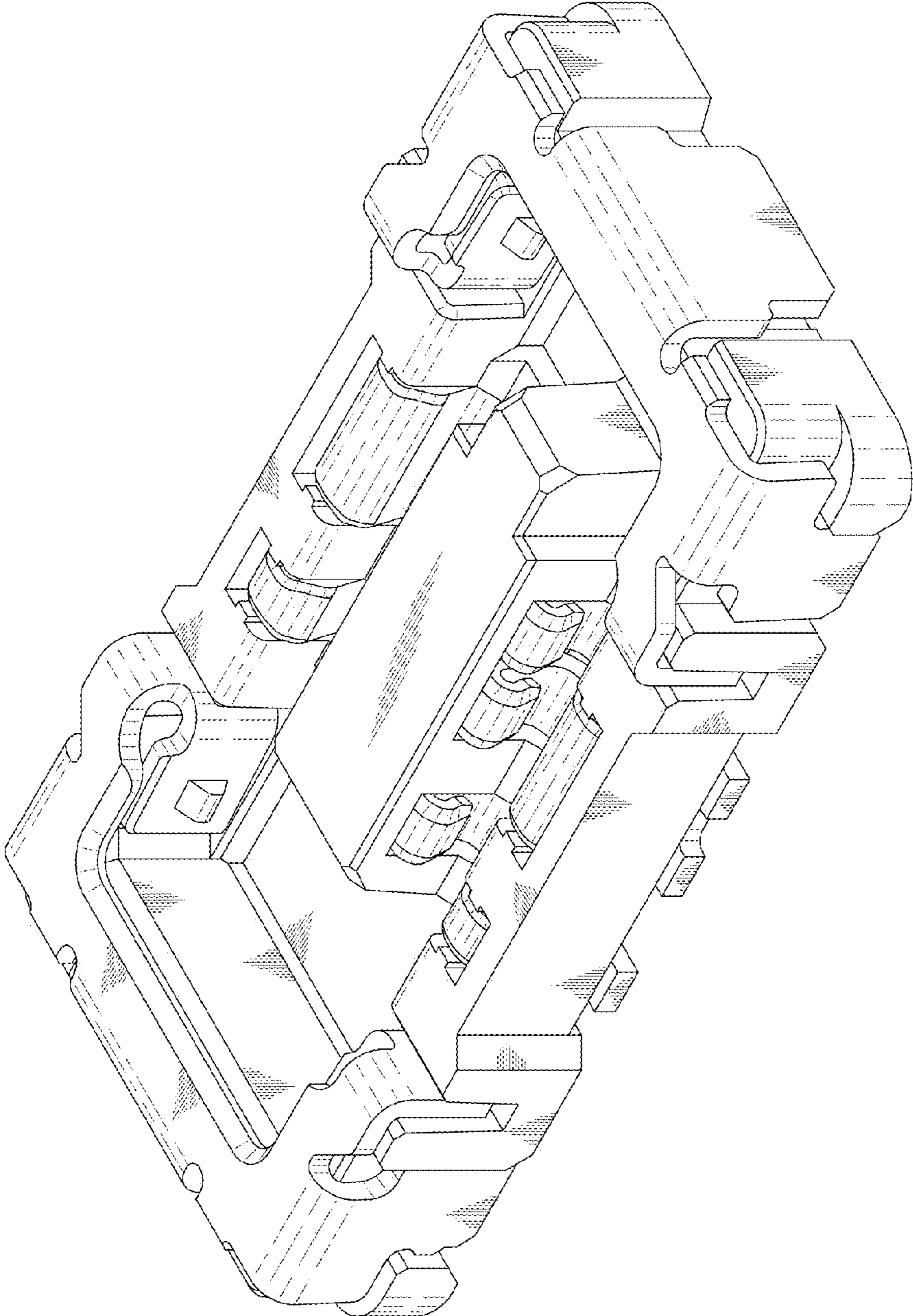


FIG.9

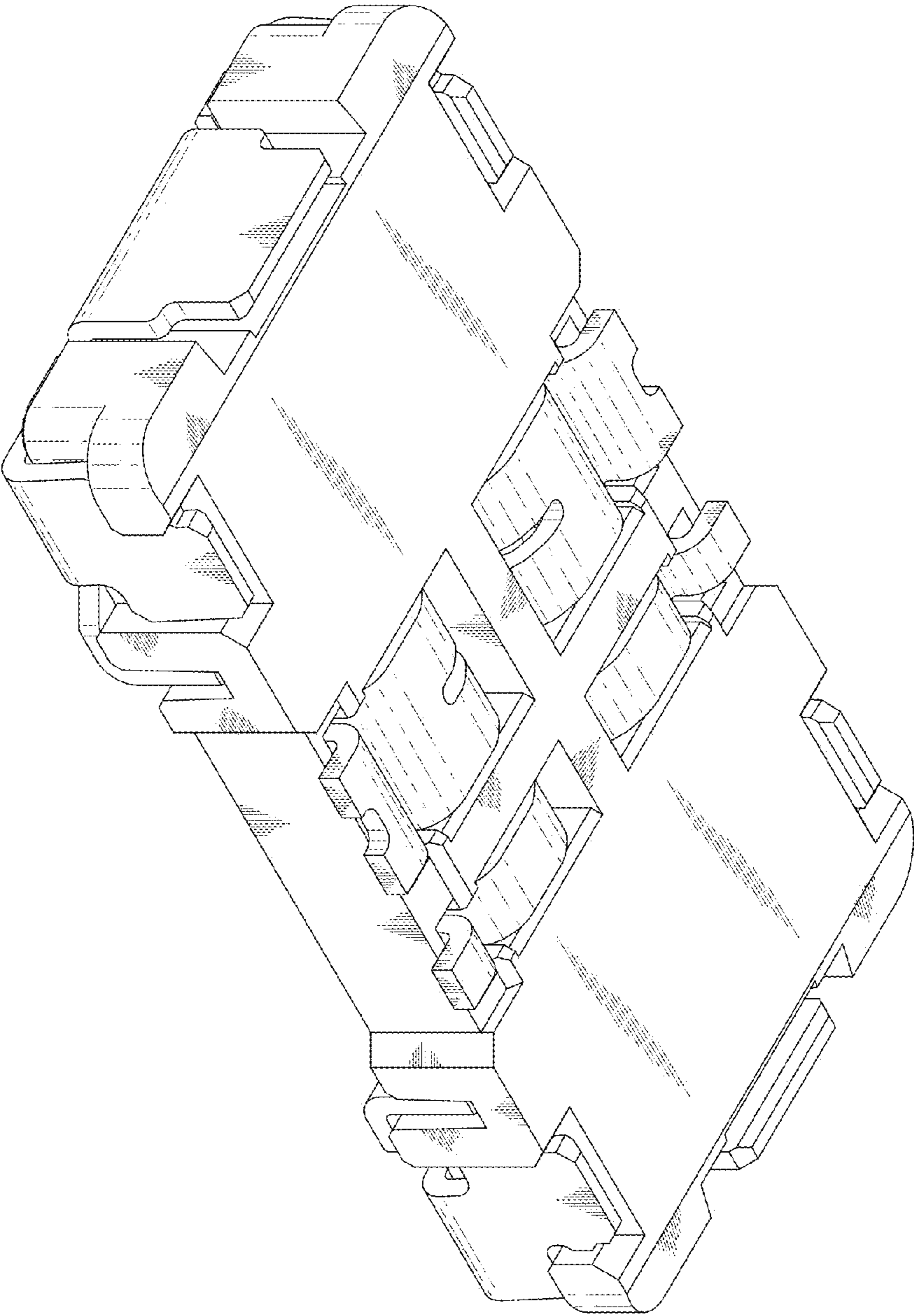


FIG.10