



US00D745461S

(12) **United States Design Patent**
Cho

(10) **Patent No.:** **US D745,461 S**
(45) **Date of Patent:** **** Dec. 15, 2015**

(54) **CONNECTOR HOUSING**

(71) Applicant: **Tyco Electronics AMP Korea Ltd.,**
Kyungsangbuk-do (KR)

(72) Inventor: **Byung Hee Cho,** Kyungsangbuk-do
(KR)

(73) Assignee: **Tyco Electronics AMP Korea Ltd.,**
Kyungsangbuk-do (KR)

(**) Term: **14 Years**

(21) Appl. No.: **29/500,534**

(22) Filed: **Aug. 26, 2014**

(30) **Foreign Application Priority Data**

Feb. 26, 2014 (KR) 30-2014-0009811

(51) **LOC (10) Cl.** **13-03**

(52) **U.S. Cl.**
USPC **D13/146**

(58) **Field of Classification Search**
USPC D13/133, 146, 147, 154, 184, 199
See application file for complete search history.

(56) **References Cited**

U.S. PATENT DOCUMENTS

4,975,075 A * 12/1990 Jinno et al. 439/353
D317,148 S * 5/1991 Kozono et al. D13/146
6,019,629 A * 2/2000 Ito et al. 439/489

D425,869 S * 5/2000 Yokomizo et al. D13/147
D463,776 S * 10/2002 Chen D13/147
D524,751 S * 7/2006 Lee et al. D13/147

FOREIGN PATENT DOCUMENTS

JP 1305762 7/2007
JP 1411213 4/2011

* cited by examiner

Primary Examiner — Daniel Bui

(74) *Attorney, Agent, or Firm* — Barley Snyder

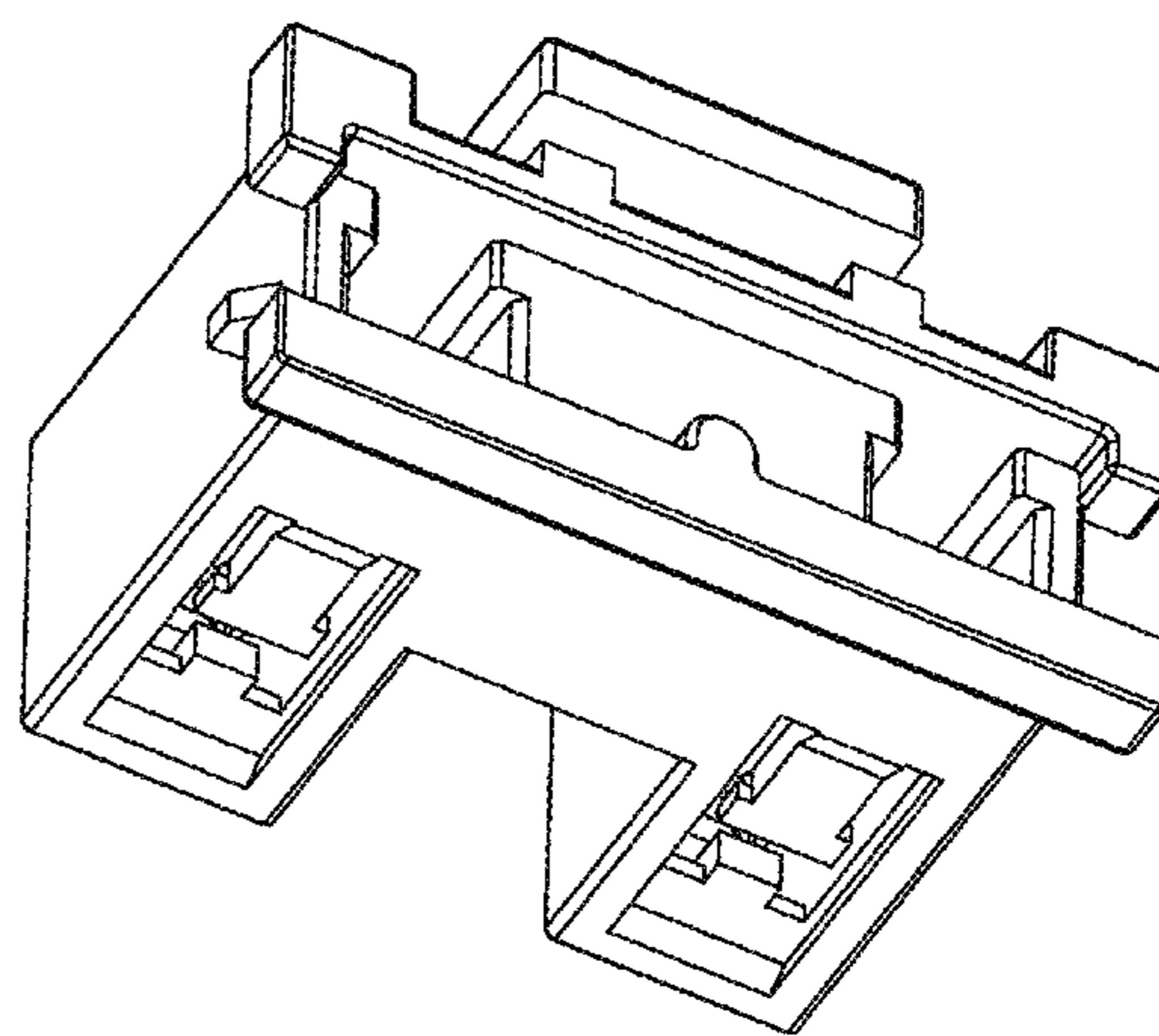
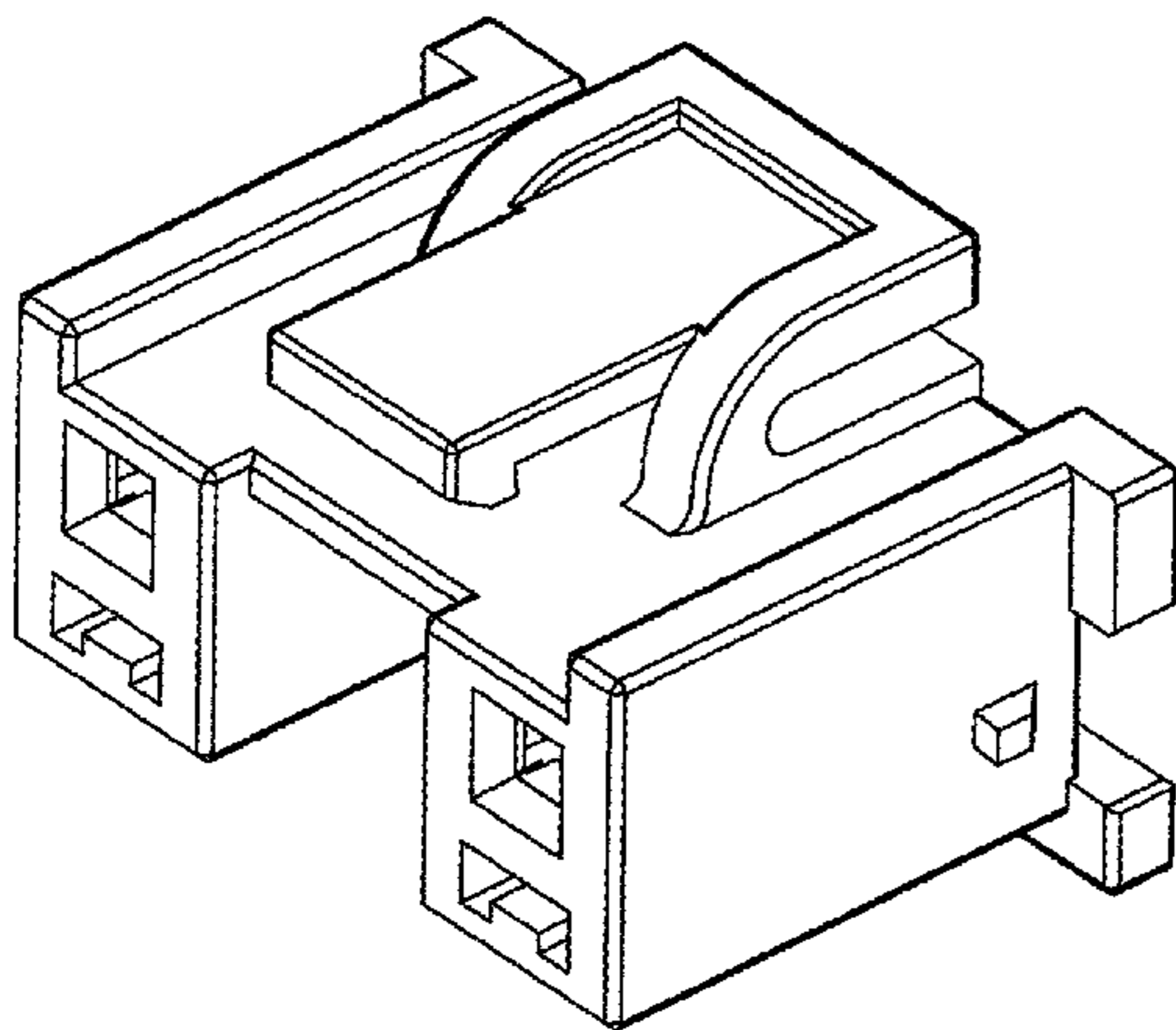
(57) **CLAIM**

The ornamental design for a connector housing, as shown and described.

DESCRIPTION

FIG. 1 is a top, front and left side perspective view of a connector housing showing my new design; FIG. 2 is a front elevation view thereof; FIG. 3 is a top plan view thereof; FIG. 4 is rear elevation view thereof; FIG. 5 is a right side elevation view thereof; FIG. 6 is a left side elevation view thereof; FIG. 7 is a bottom plan view thereof; and, FIG. 8 is a bottom, rear and left side perspective view thereof. Broken lines in the Figures illustrate environmental structure and do not form any part of the claimed invention.

1 Claim, 8 Drawing Sheets



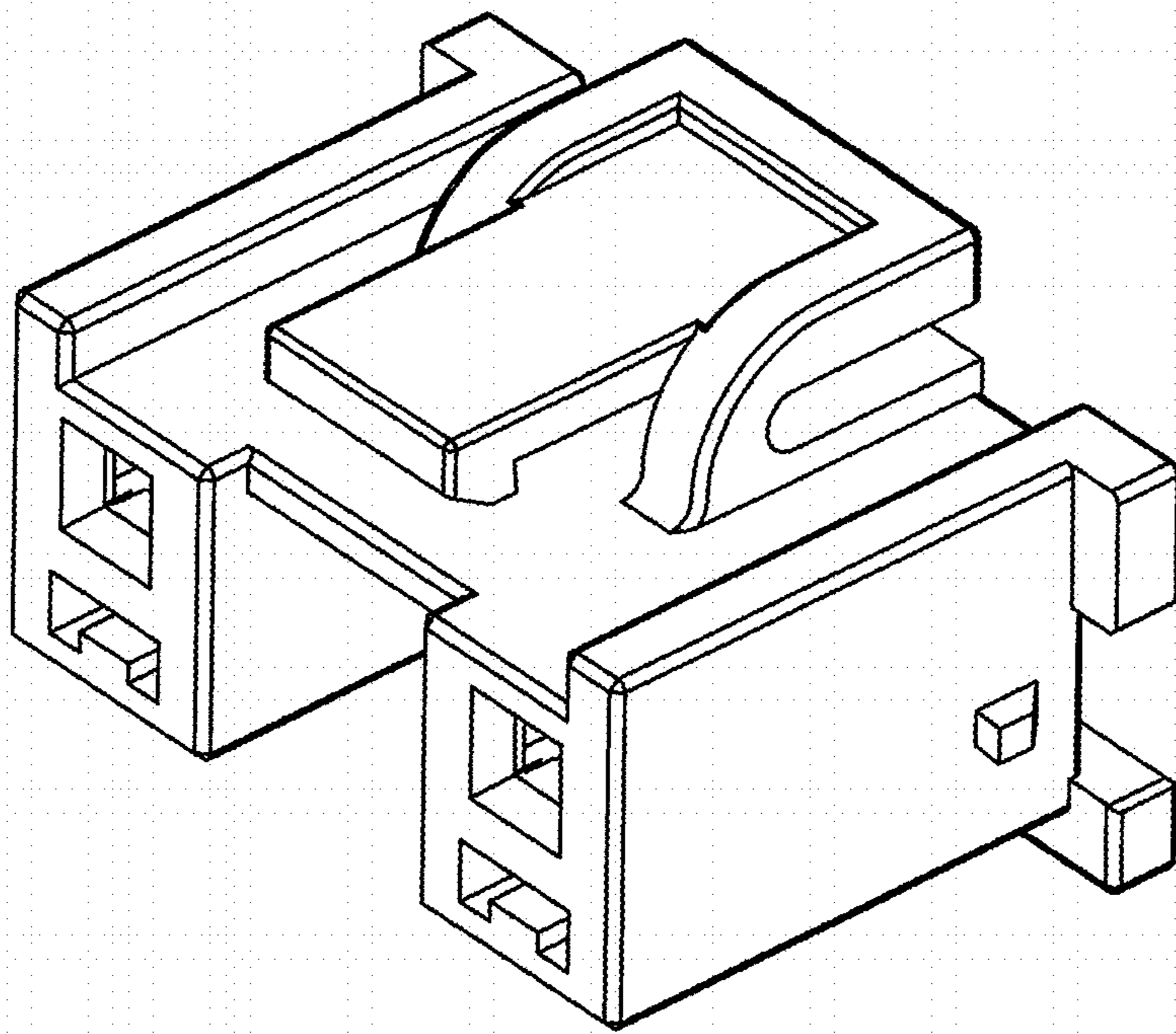


Fig. 1

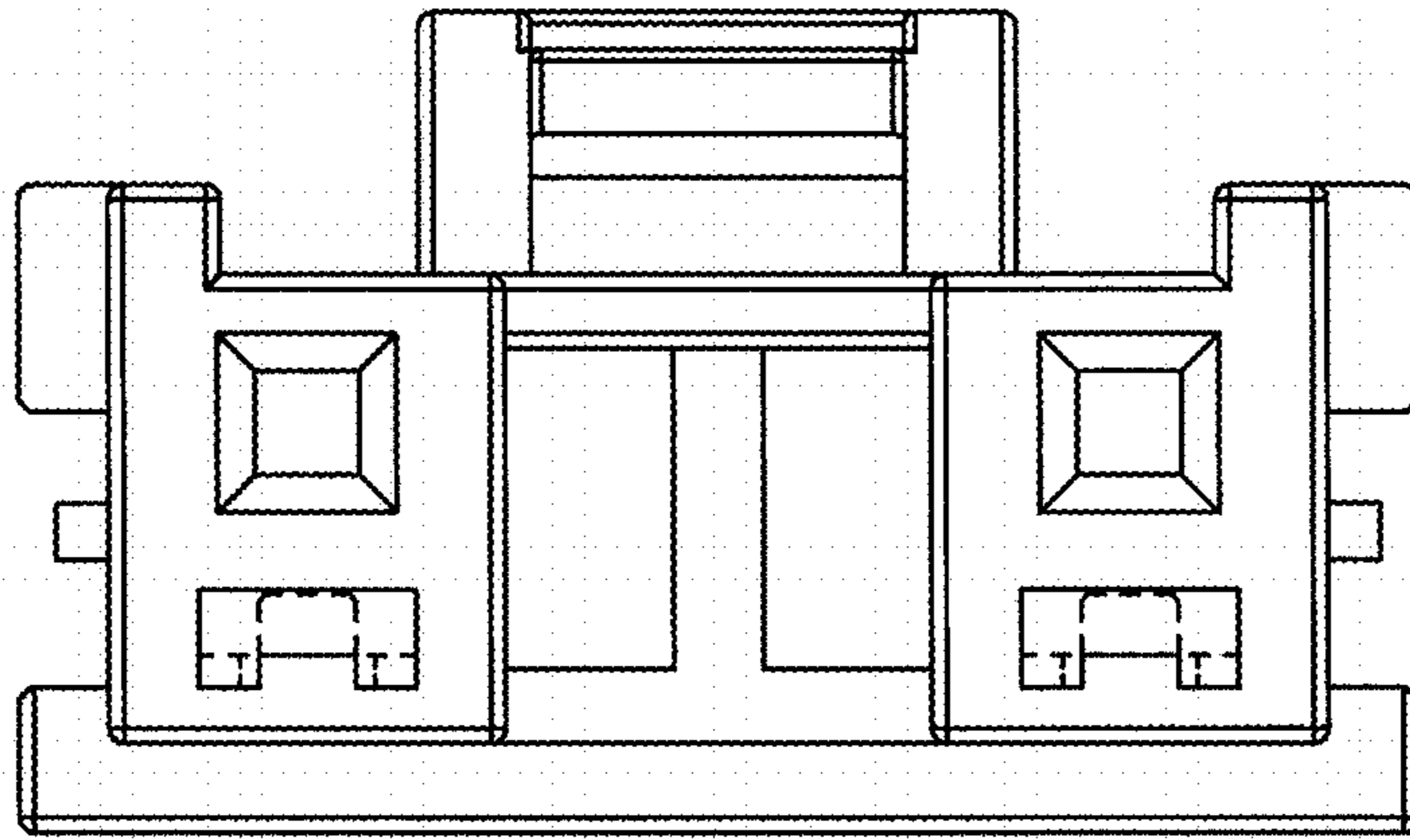


Fig. 2

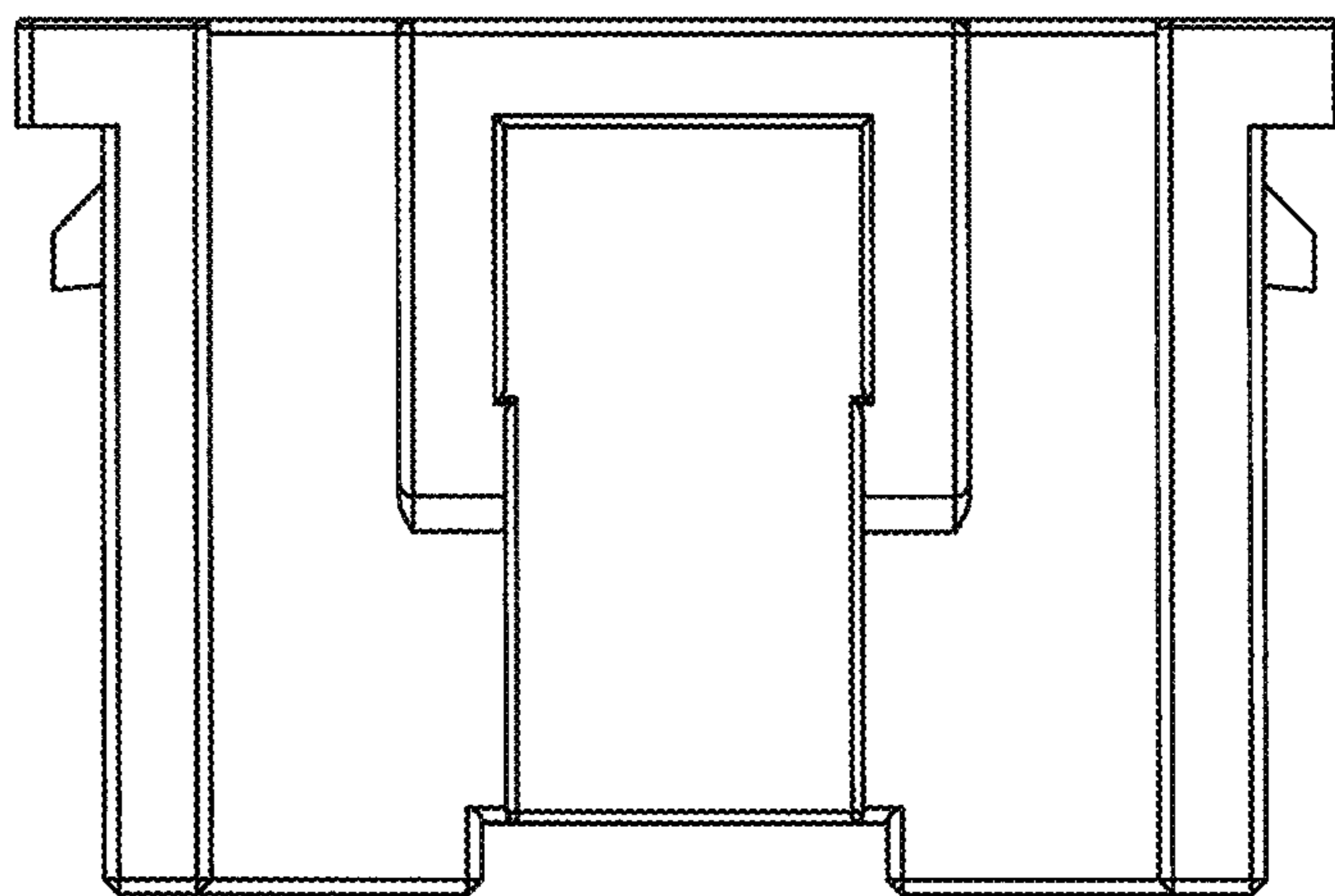


Fig. 3

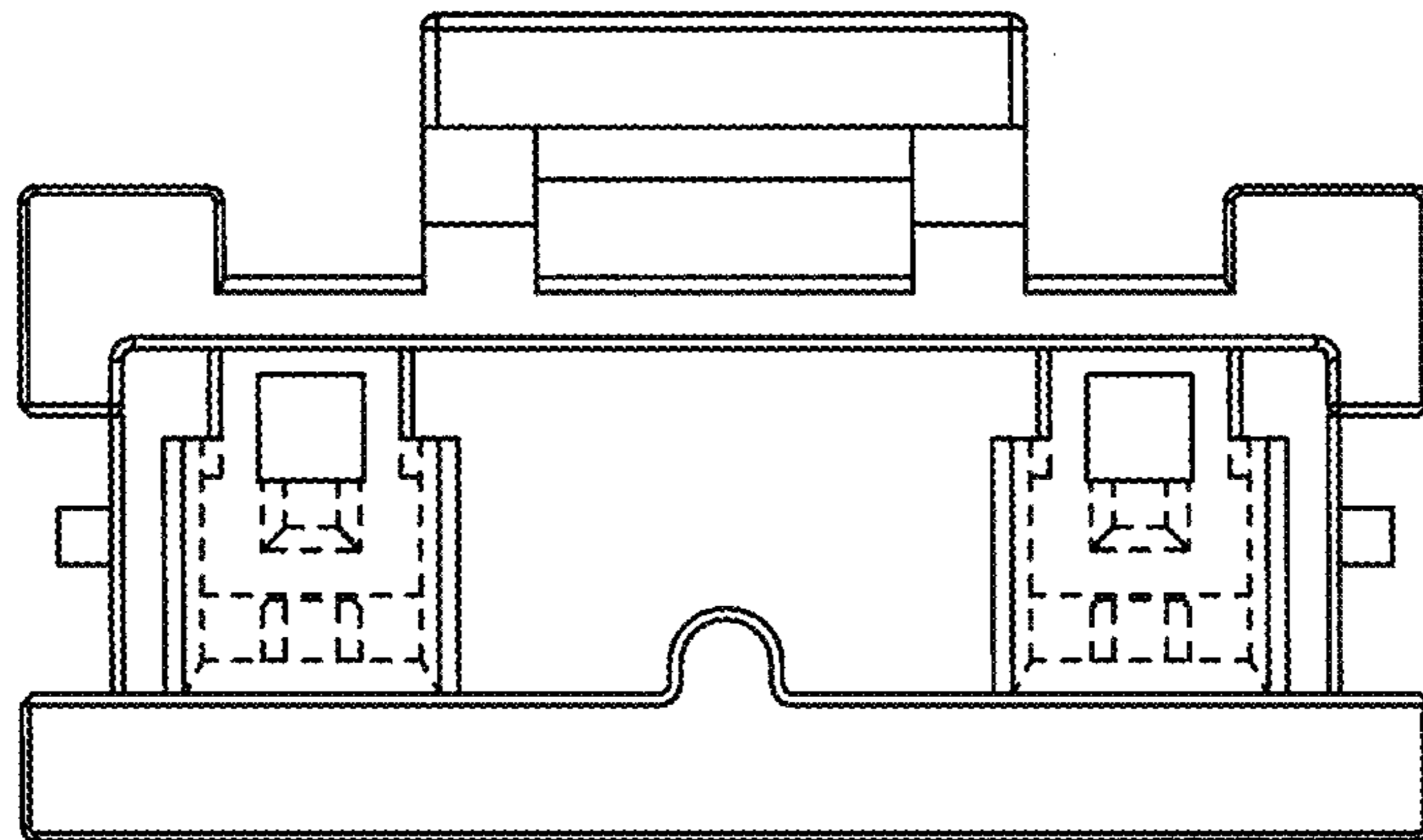


Fig. 4

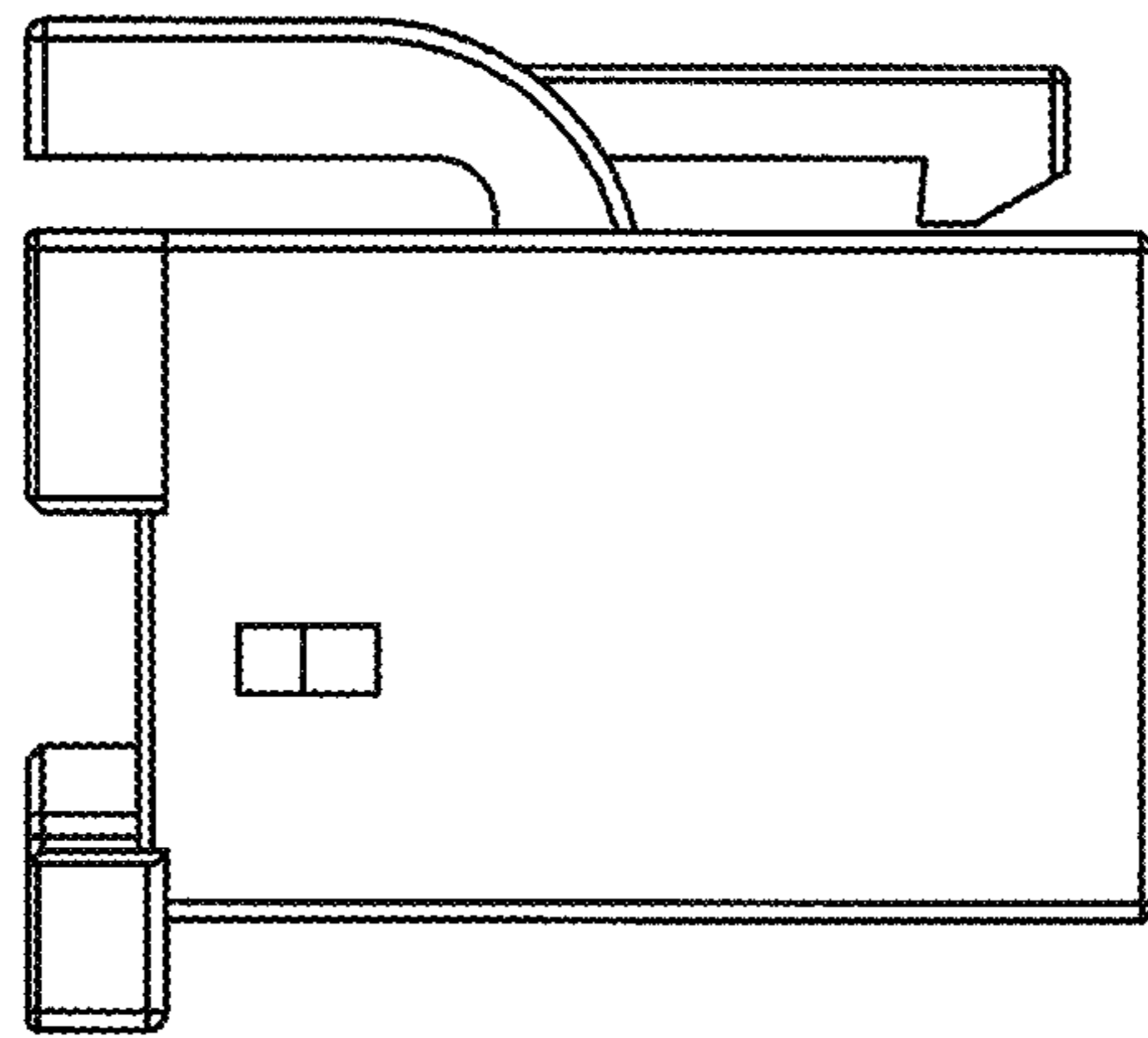


Fig. 5

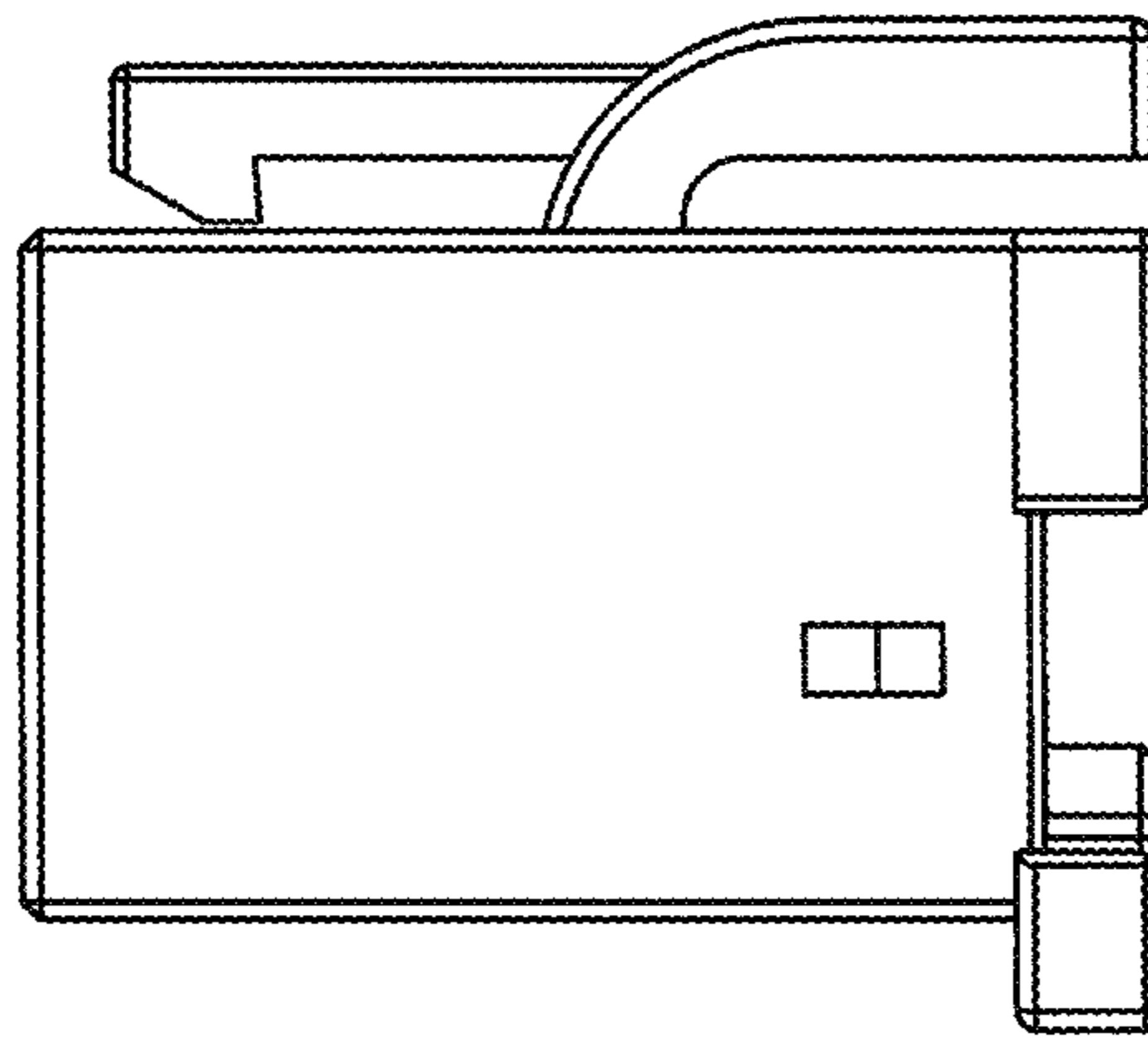


Fig. 6

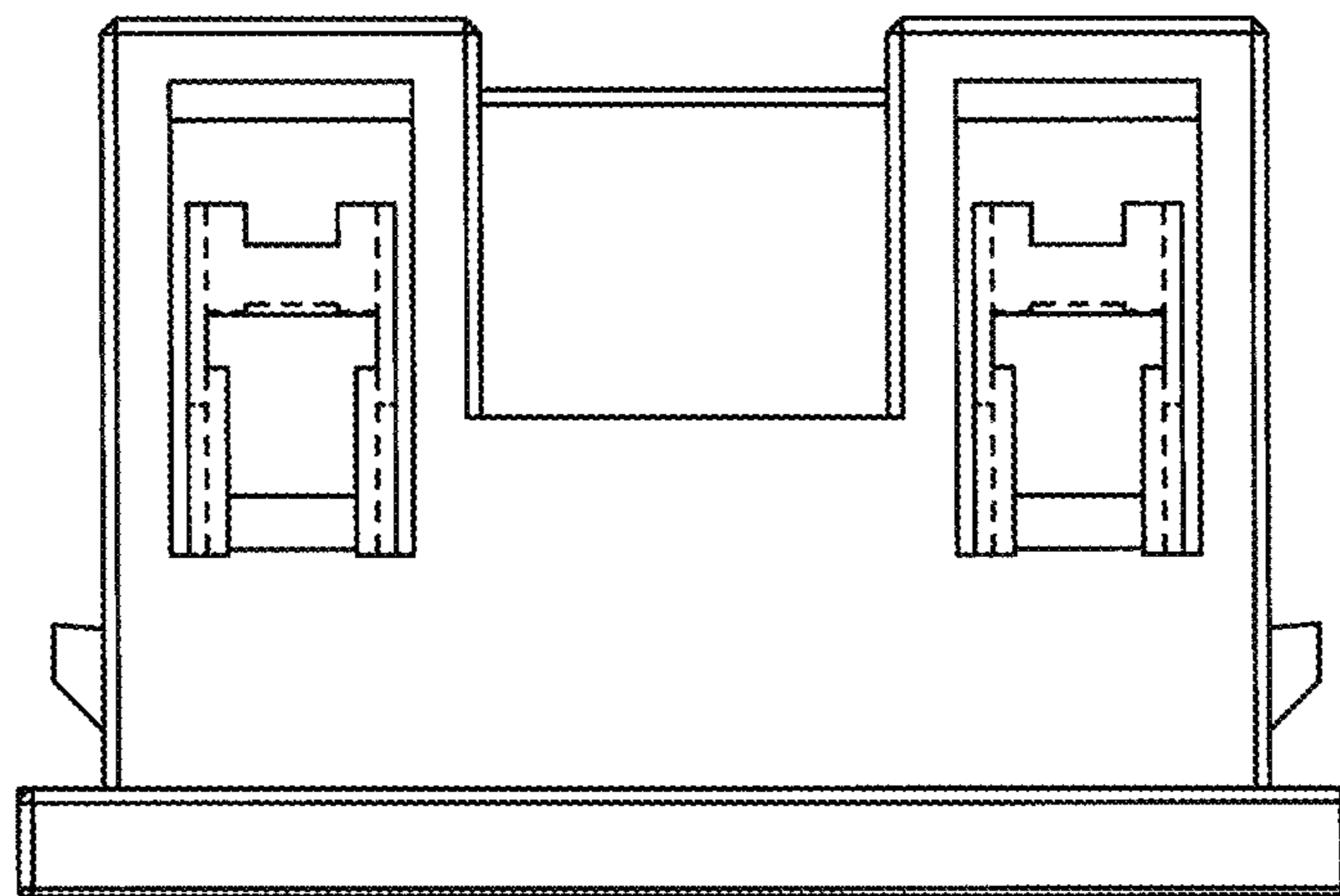


Fig. 7

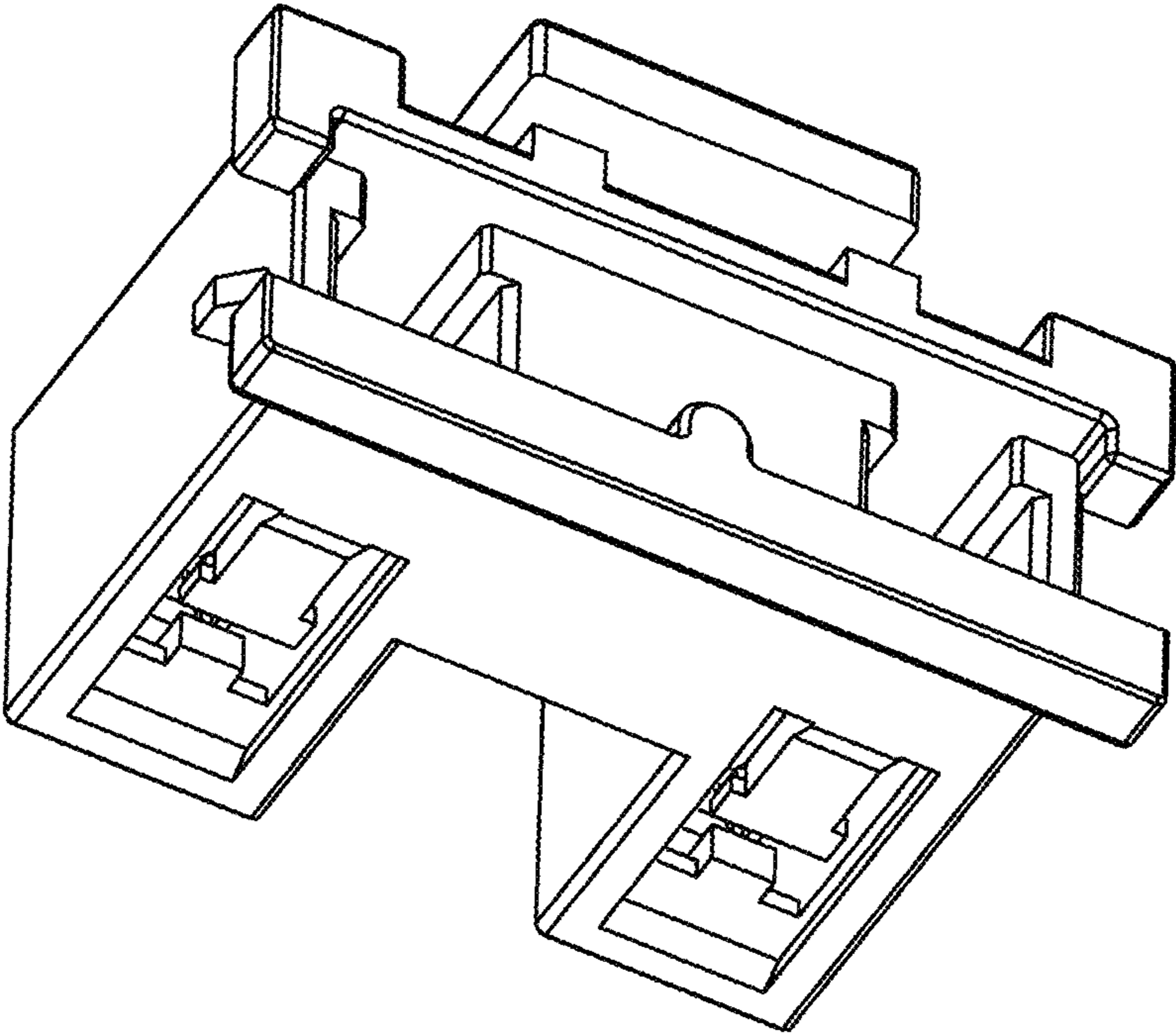


Fig. 8