



US00D745459S

(12) **United States Design Patent**
Bies

(10) **Patent No.:** **US D745,459 S**

(45) **Date of Patent:** **** Dec. 15, 2015**

(54) **ELECTRICAL PLUG-IN CONNECTOR**

(71) Applicant: **WAGO Verwaltungsgesellschaft mbH**,
Minden (DE)

(72) Inventor: **Henryk Bies**, Sondershausen (DE)

(73) Assignee: **WAGO Verwaltungsgesellschaft mbH**,
Minden (DE)

(**) Term: **14 Years**

(21) Appl. No.: **29/476,797**

(22) Filed: **Dec. 17, 2013**

(30) **Foreign Application Priority Data**

Jun. 17, 2013 (EM) 002256354

(51) **LOC (10) Cl.** **13-03**

(52) **U.S. Cl.**
USPC **D13/137.1**

(58) **Field of Classification Search**

USPC D13/137.1-137.4, 133, 152-155, 147,
D13/146; 439/295, 292, 489, 358, 271, 701,
439/680, 352, 752.5, 418; 338/195; 385/58;
D14/240

CPC .. H01R 13/4223; H01R 13/514; H01R 13/64;
H01R 13/641; H01R 23/025; H01R 13/6272;
H01R 13/6275; H01R 13/28; H01C 17/24;
G02B 6/3893

See application file for complete search history.

(56) **References Cited**

U.S. PATENT DOCUMENTS

3,654,586 A * 4/1972 Winkler 439/295
3,824,524 A * 7/1974 Glover 439/282
4,762,388 A * 8/1988 Tanaka et al. 385/58
5,127,848 A * 7/1992 Taguchi 439/489
6,208,233 B1 * 3/2001 Stein et al. 338/195
6,383,011 B2 * 5/2002 Chen 439/358
6,994,595 B2 * 2/2006 Baker et al. 439/680

7,004,795 B2 * 2/2006 Mancini et al. 439/701
D561,101 S * 2/2008 Sakamoto D13/133
7,326,074 B1 * 2/2008 Lim et al. 439/352
D574,772 S * 8/2008 Sutter D13/133
D574,773 S * 8/2008 Sutter D13/133
D578,065 S * 10/2008 Baker et al. D13/133
D585,024 S * 1/2009 Kudo D13/133
D594,414 S * 6/2009 Ogata et al. D13/133
D597,491 S * 8/2009 Sakamoto D13/147
D597,492 S * 8/2009 Sakamoto D13/147
D597,956 S * 8/2009 Sakamoto D13/147
D597,957 S * 8/2009 Sakamoto D13/147

(Continued)

Primary Examiner — Holly Baynham

Assistant Examiner — Rhea Shields

(74) *Attorney, Agent, or Firm* — Renner, Otto, Boisselle &
Sklar, LLP

(57) **CLAIM**

The ornamental design for an electrical plug-in connector, as shown and described.

DESCRIPTION

FIG. 1 is a front perspective view of an embodiment of the electrical plug-in connector.

FIG. 2 is a rear perspective view of the electrical plug-in connector of FIG. 1.

FIG. 3 is a top-view of the electrical plug-in connector of FIG. 1.

FIG. 4 is a bottom-view of the electrical plug-in connector of FIG. 1.

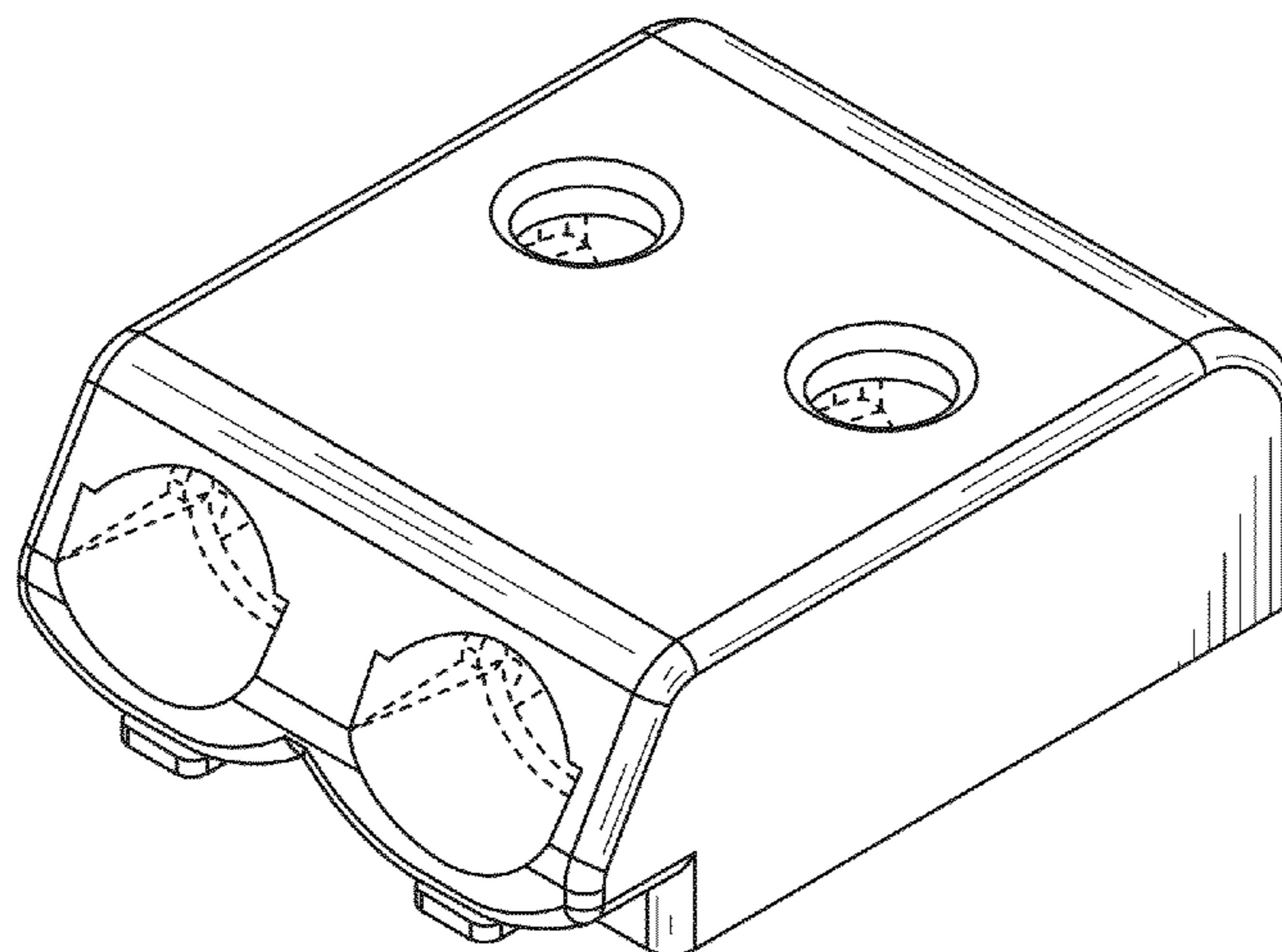
FIG. 5 is a front-view of the electrical plug-in connector of FIG. 1.

FIG. 6 is a rear-view of the electrical plug-in connector of FIG. 1; and,

FIG. 7 is a left side-view of the electrical plug-in connector of FIG. 1 a right side-view being a mirror image thereof.

In the drawings, the broken lines are for the purpose of illustrating environment only and form no part of the claimed design.

1 Claim, 3 Drawing Sheets



(56)

References Cited

U.S. PATENT DOCUMENTS

D597,958 S *	8/2009	Sakamoto	D13/147	D655,677 S *	3/2012	Gouhl et al.	D13/146
D599,297 S *	9/2009	Chen	D13/147	D663,694 S *	7/2012	Fu et al.	D13/147
D603,338 S *	11/2009	Wang et al.	D13/147	D663,695 S *	7/2012	Zhang et al.	D13/147
D604,248 S *	11/2009	Sakamoto	D13/147	D665,748 S *	8/2012	Baker et al.	D13/133
D604,249 S *	11/2009	Mancini	D13/147	D666,971 S *	9/2012	Sekine et al.	D13/133
7,695,308 B2 *	4/2010	Allwood et al.	439/418	D669,857 S *	10/2012	Nakabayashi et al.	D13/147
D624,503 S *	9/2010	Severing	D13/147	D670,250 S *	11/2012	Nakabayashi et al.	D13/147
D626,509 S *	11/2010	Severing	D13/147	D670,653 S *	11/2012	Severing	D13/147
D641,700 S *	7/2011	Ohkuma	D13/133	D674,344 S *	1/2013	Bies	D13/133
D646,223 S *	10/2011	Gouhl et al.	D13/146	D674,785 S *	1/2013	Kyriakides, II	D14/240
D647,857 S *	11/2011	Huang et al.	D13/147	D693,303 S *	11/2013	Bies	D13/133
D650,749 S *	12/2011	Smith et al.	D13/133	D708,146 S *	7/2014	Soni	D13/155
D650,751 S *	12/2011	Smith et al.	D13/133	D719,913 S *	12/2014	Bies	D13/133
					2004/0214464 A1 *	10/2004	Fukushima et al.	439/271
					2011/0250803 A1 *	10/2011	Bies	439/752.5

* cited by examiner

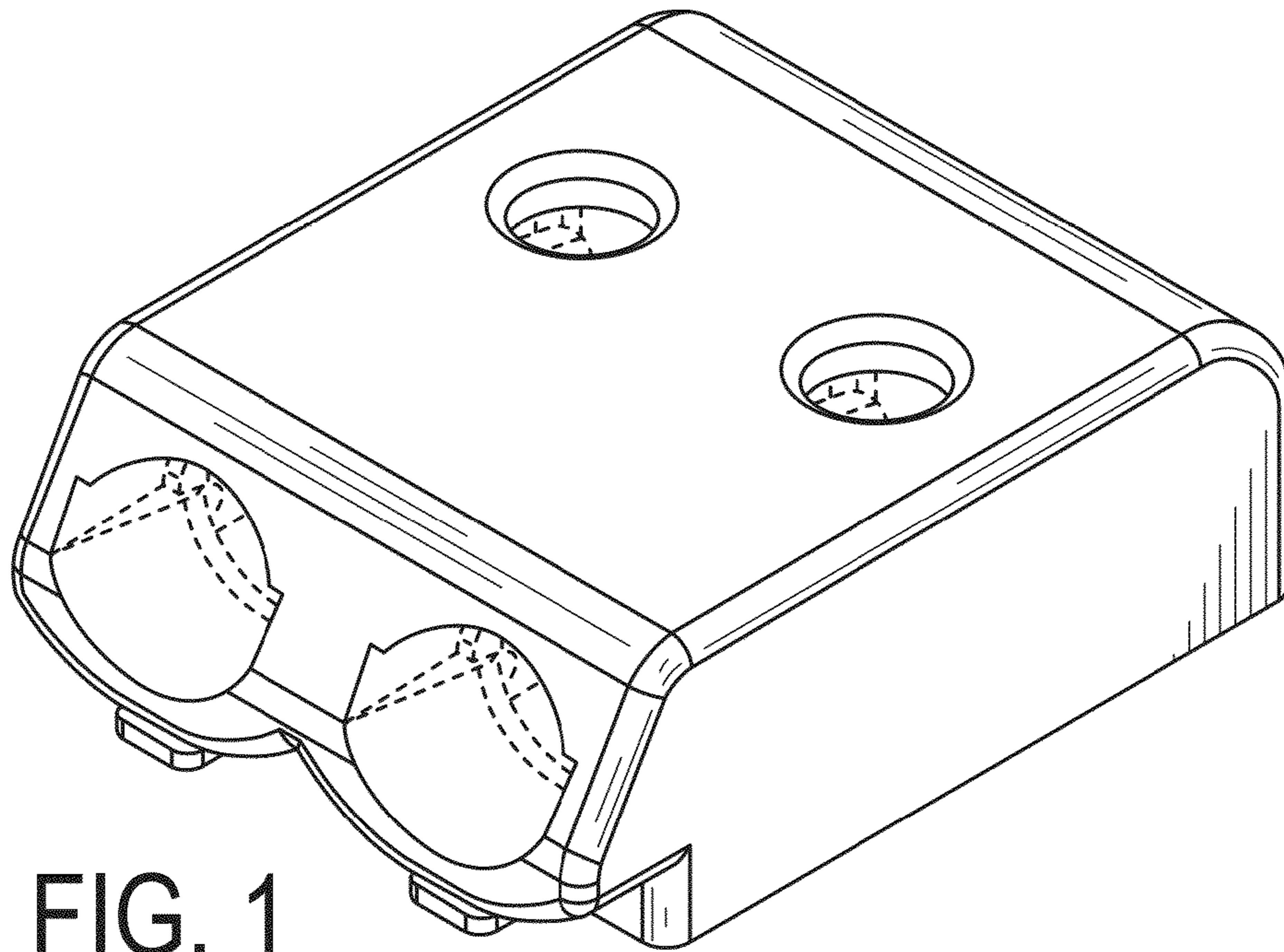


FIG. 1

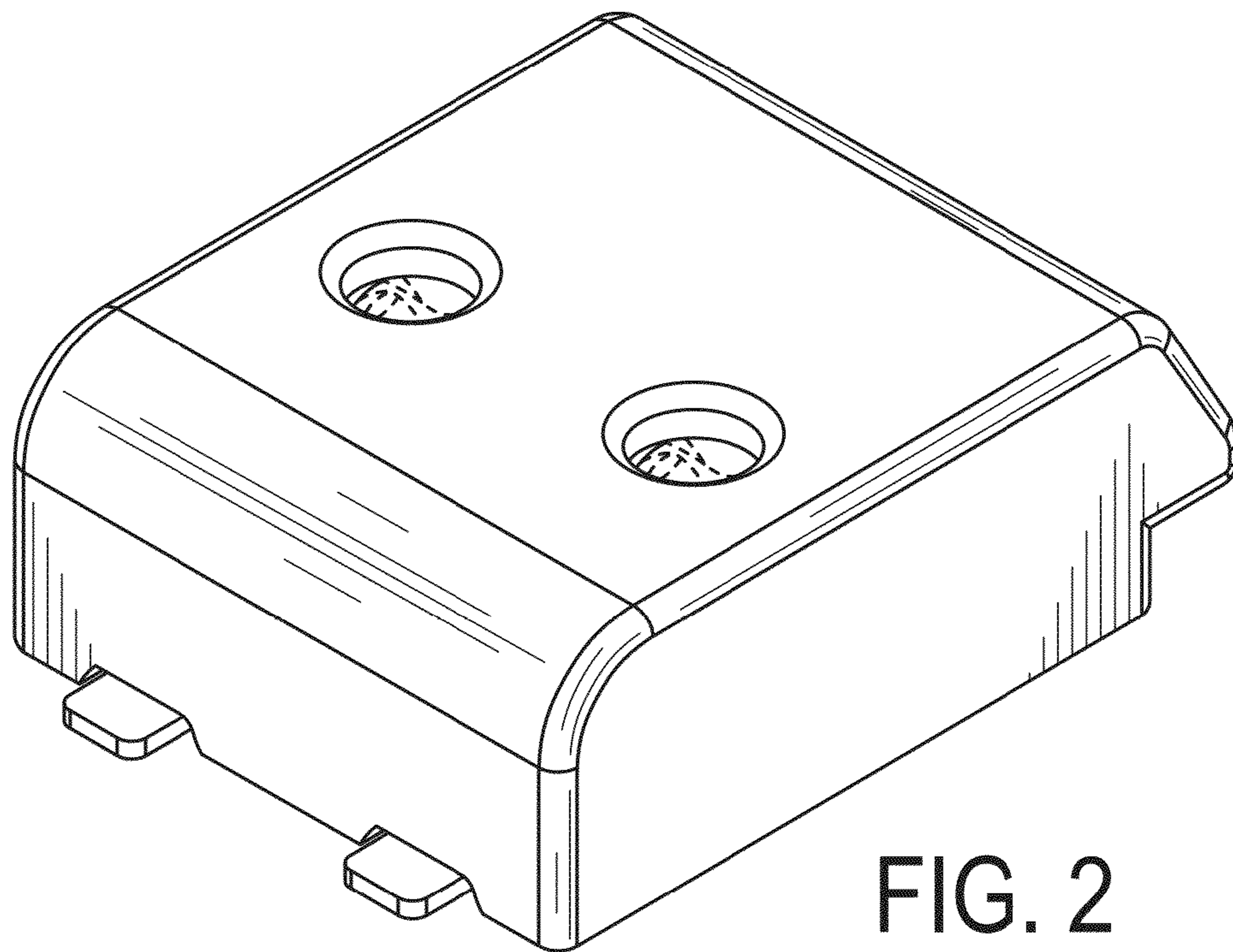


FIG. 2

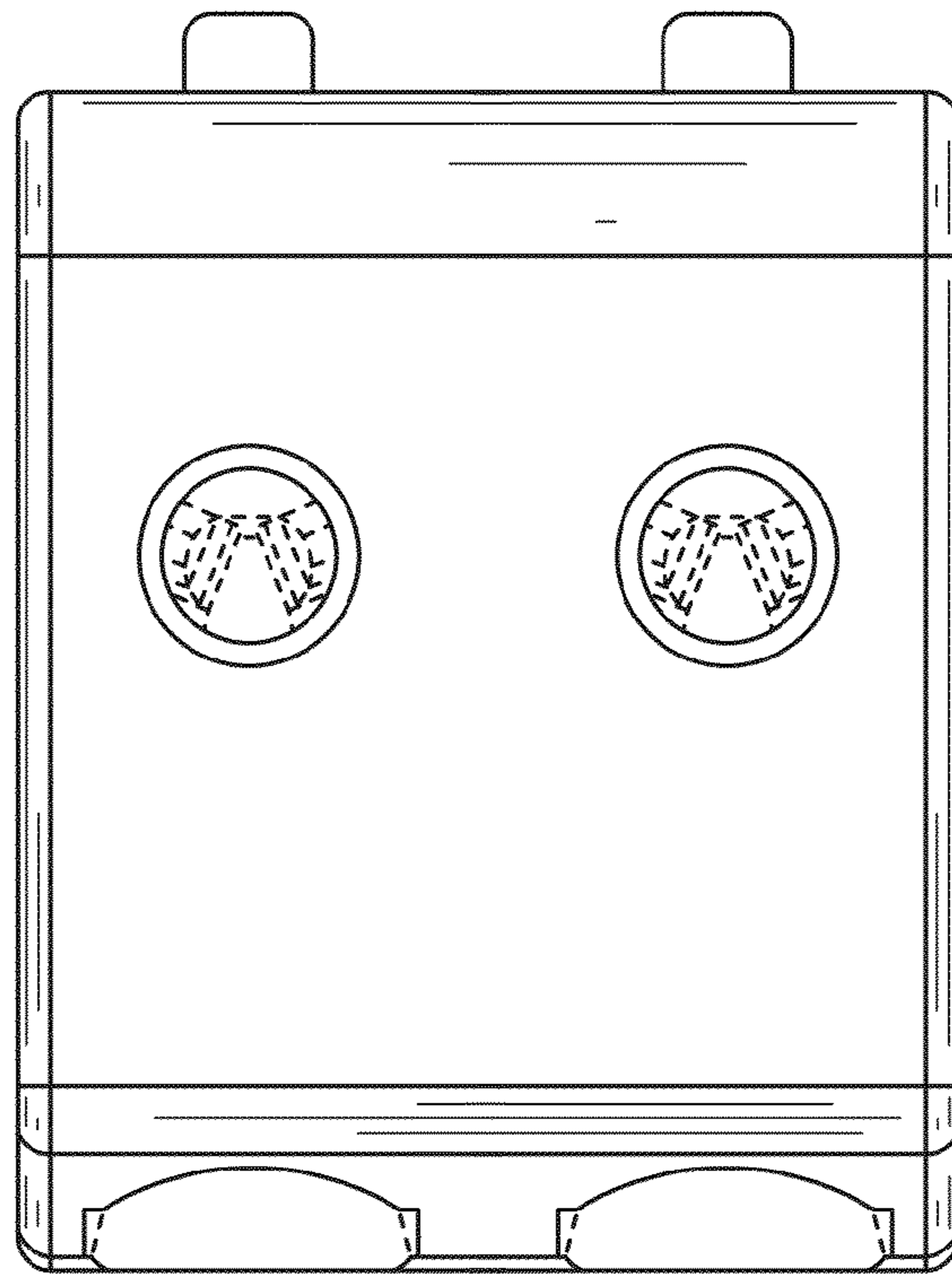


FIG. 3

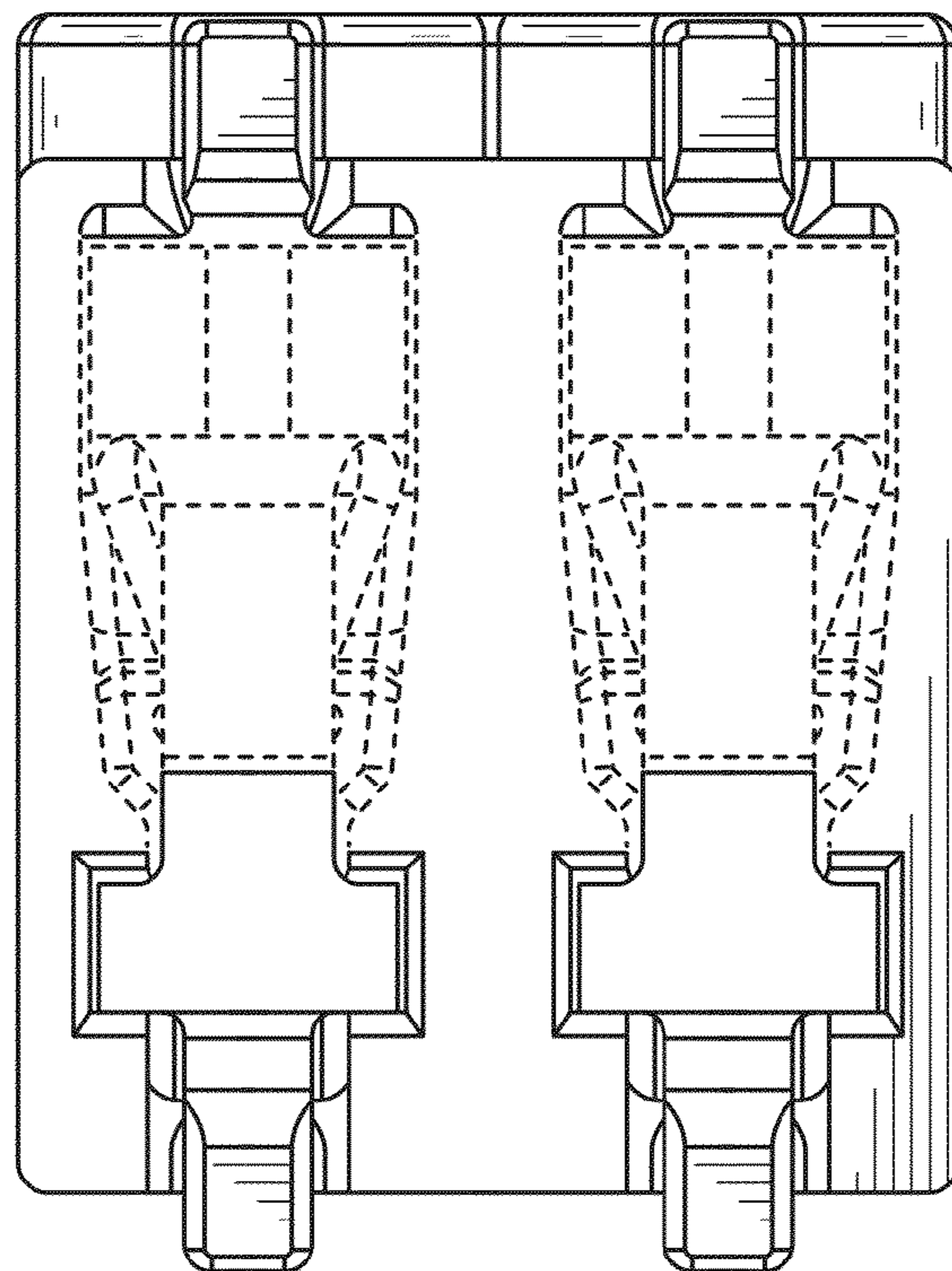


FIG. 4

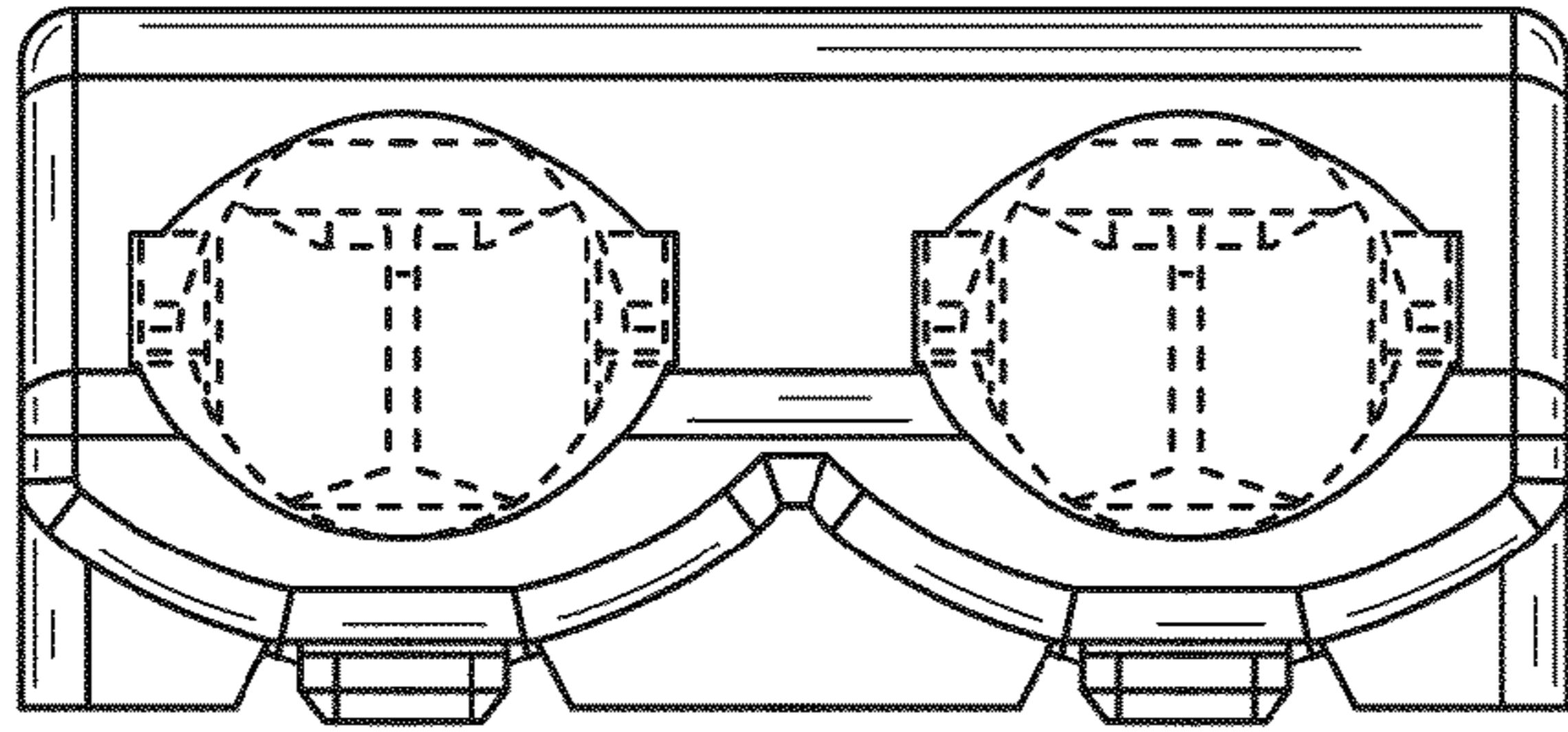


FIG. 5

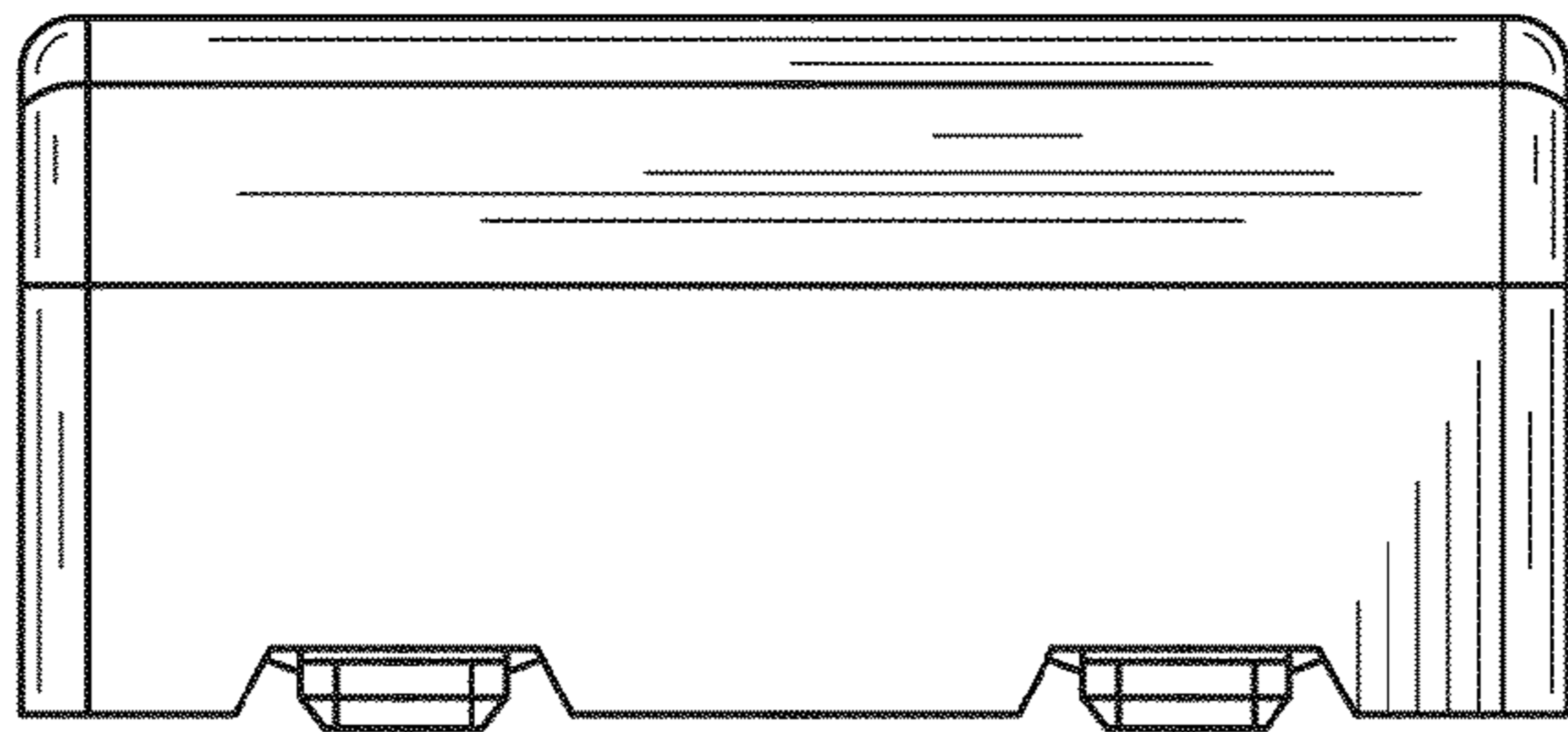


FIG. 6

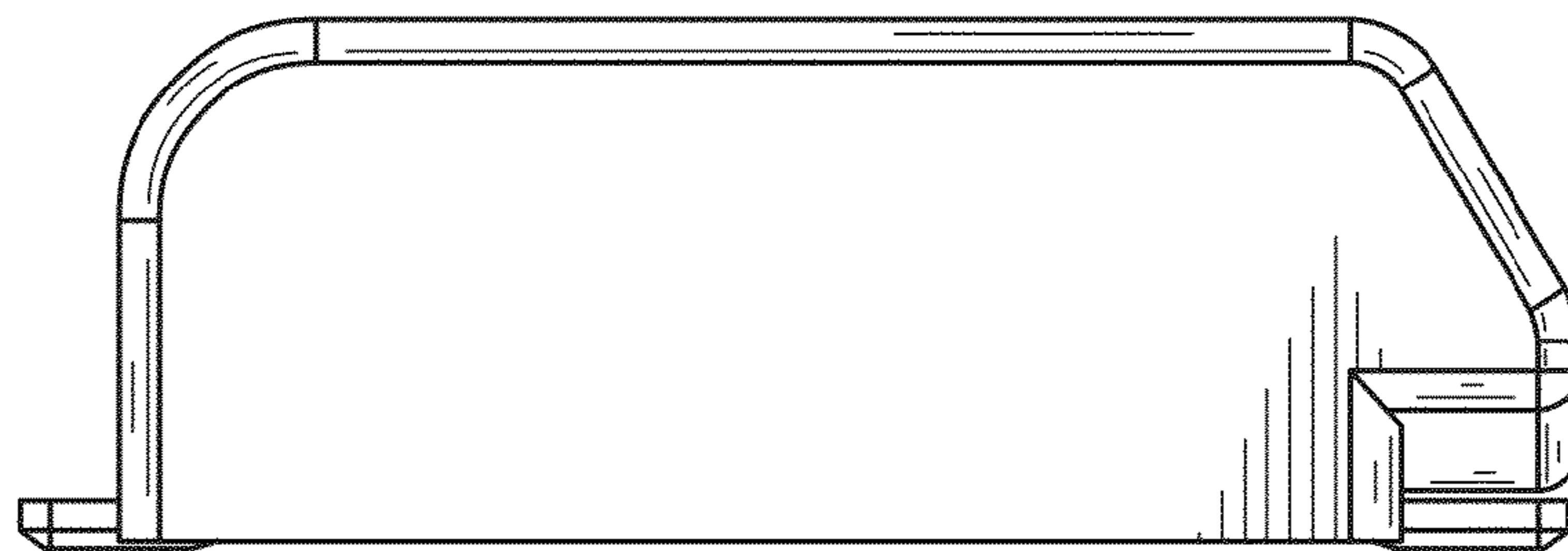


FIG. 7