



US00D745458S

(12) **United States Design Patent**
Tobaruela

(10) **Patent No.:** **US D745,458 S**

(45) **Date of Patent:** **** Dec. 15, 2015**

(54) **ELECTRICAL CONNECTOR**

(71) Applicant: **Javier Banuls Tobaruela**, Valencia (ES)

(72) Inventor: **Javier Banuls Tobaruela**, Valencia (ES)

(**) Term: **14 Years**

(21) Appl. No.: **29/468,500**

(22) Filed: **Oct. 1, 2013**

(51) **LOC (10) Cl.** **13-03**

(52) **U.S. Cl.**
USPC **D13/133**

(58) **Field of Classification Search**
USPC D8/349, 354–356, 363–367, 370–373,
D8/380, 382, 384, 381; D13/133, 148,
D13/154; 248/215, 465.1, 112, 153, 175,
248/218.1, 218.2, 302, 303
CPC H01R 13/115; H01R 11/05; H01R 11/22
See application file for complete search history.

(56) **References Cited**

U.S. PATENT DOCUMENTS

2,497,523	A *	2/1950	Warkentin	439/287
2,744,244	A *	5/1956	Folkenroth et al.	439/290
2,774,951	A *	12/1956	Hammel et al.	439/849
2,783,447	A *	2/1957	Watts	439/406
2,791,755	A *	5/1957	Hammell	439/849
3,169,814	A *	2/1965	Collins	439/290
D241,650	S *	9/1976	Pauza	D13/133
4,220,388	A *	9/1980	Dechelette	439/268
4,598,474	A *	7/1986	Lutz	29/863
5,266,046	A *	11/1993	Bogiel	439/290
D359,025	S *	6/1995	Daio et al.	D13/133
D365,325	S *	12/1995	Hamada et al.	D13/133
D516,522	S *	3/2006	Kondas	D13/154

D550,625	S *	9/2007	Osborn et al.	D13/133
D550,626	S *	9/2007	Osborn et al.	D13/133
D552,545	S *	10/2007	Ro	D13/133
D555,095	S *	11/2007	Ho	D13/133
D582,348	S *	12/2008	Shiu	D13/154
7,470,143	B2 *	12/2008	Osborn et al.	439/441

* cited by examiner

Primary Examiner — Elizabeth Albert

(74) *Attorney, Agent, or Firm* — Strum & Fix LLP

(57) **CLAIM**

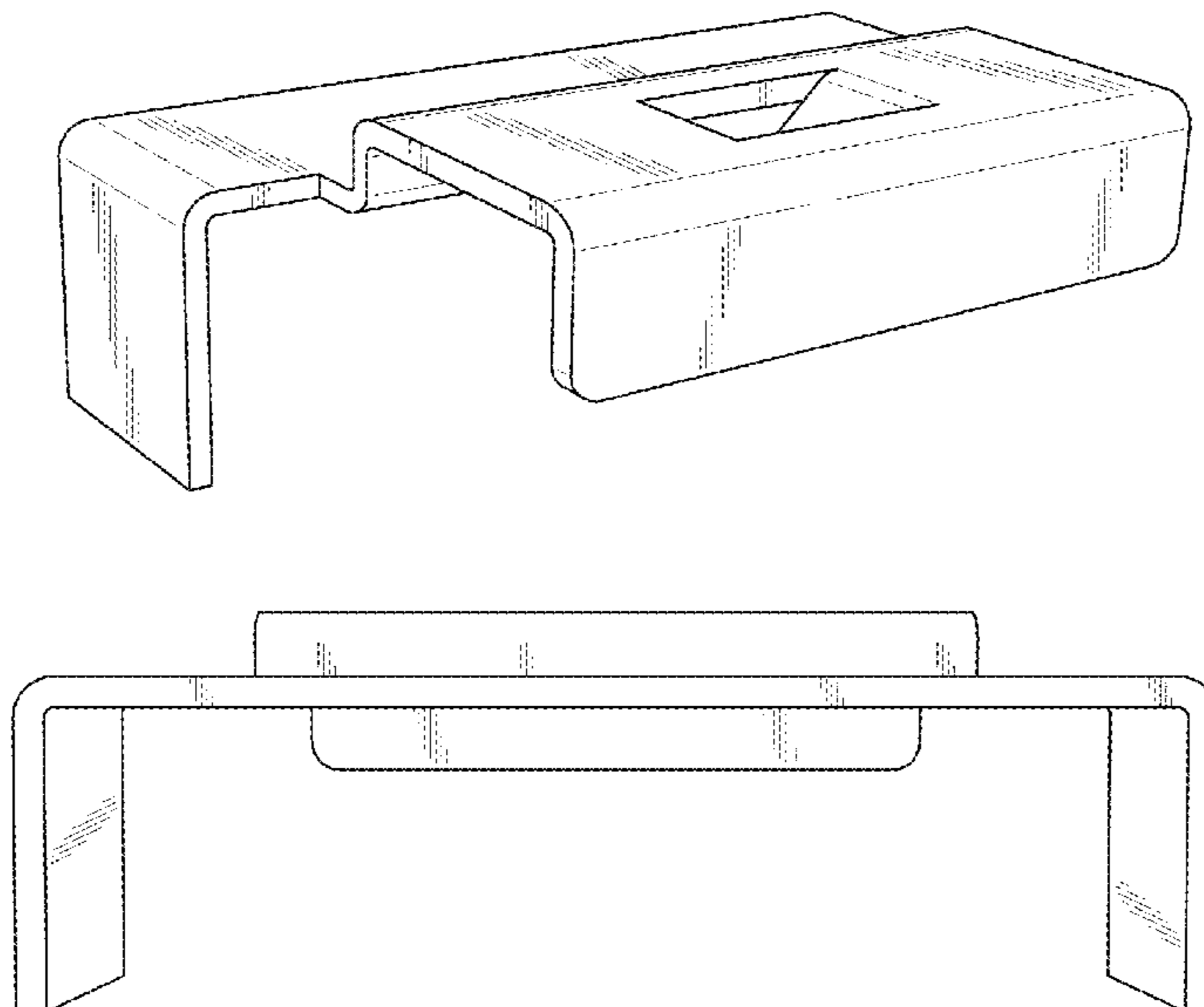
The ornamental design for an electrical connector, as shown and described.

DESCRIPTION

FIG. 1 is a side view of an electrical connector, after bending, showing my new design;
 FIG. 2 is a top view of the electrical connector after bending;
 FIG. 3 is an end view of the electrical connector after bending;
 FIG. 4 is an end, side, perspective view of the electrical connector after bending;
 FIG. 5 is a side view of the electrical connector before bending;
 FIG. 6 is a bottom perspective view of the electrical connector before bending;
 FIG. 7 is an end view of a center electrical connector before bending; and,
 FIG. 8 is a bottom view of a top electrical connector before bending.

The broken lines in FIGS. 1-4 are included for the purpose of showing the environment of the electrical connector, and form no part of the claimed design.

1 Claim, 8 Drawing Sheets



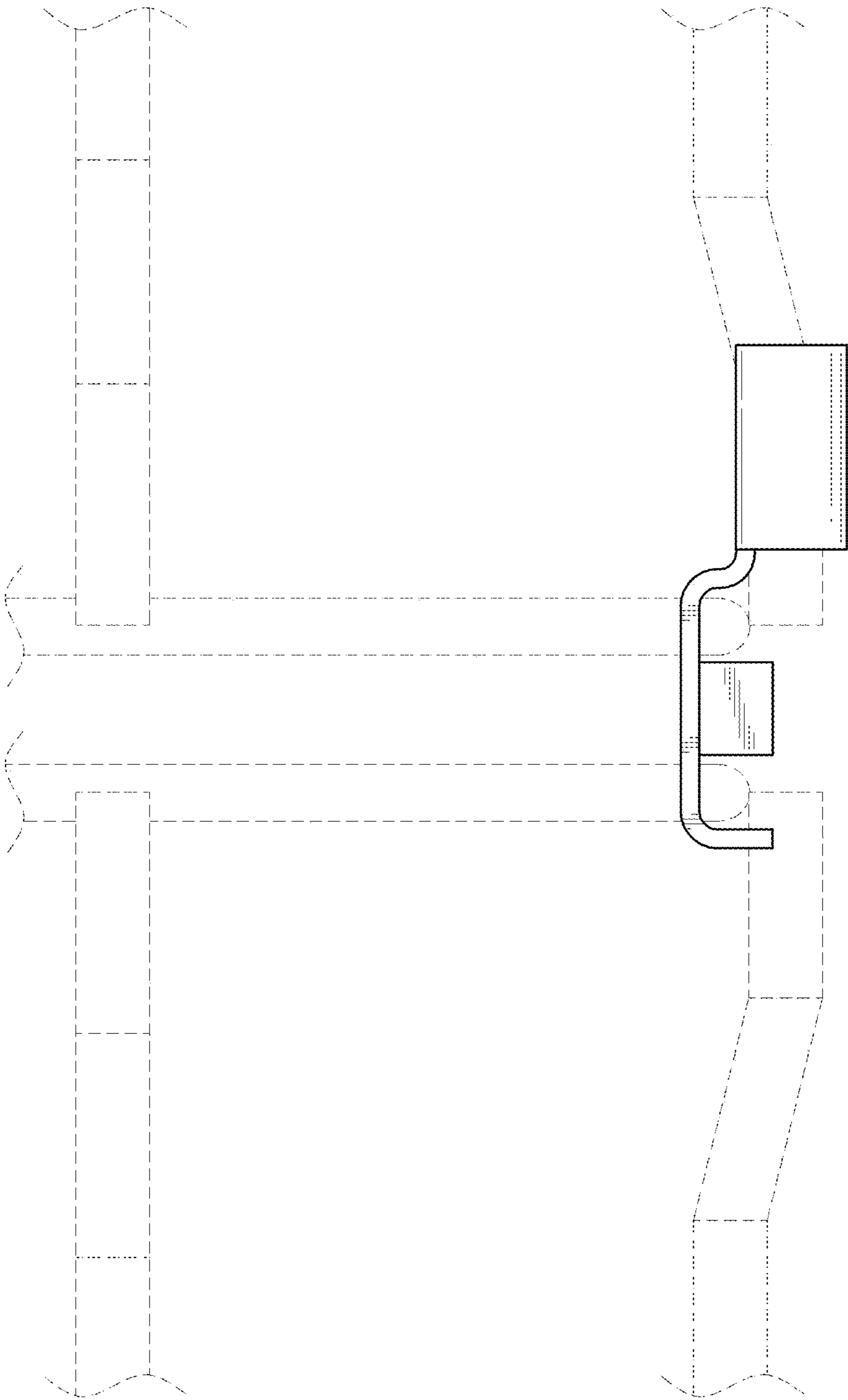


FIG. 1

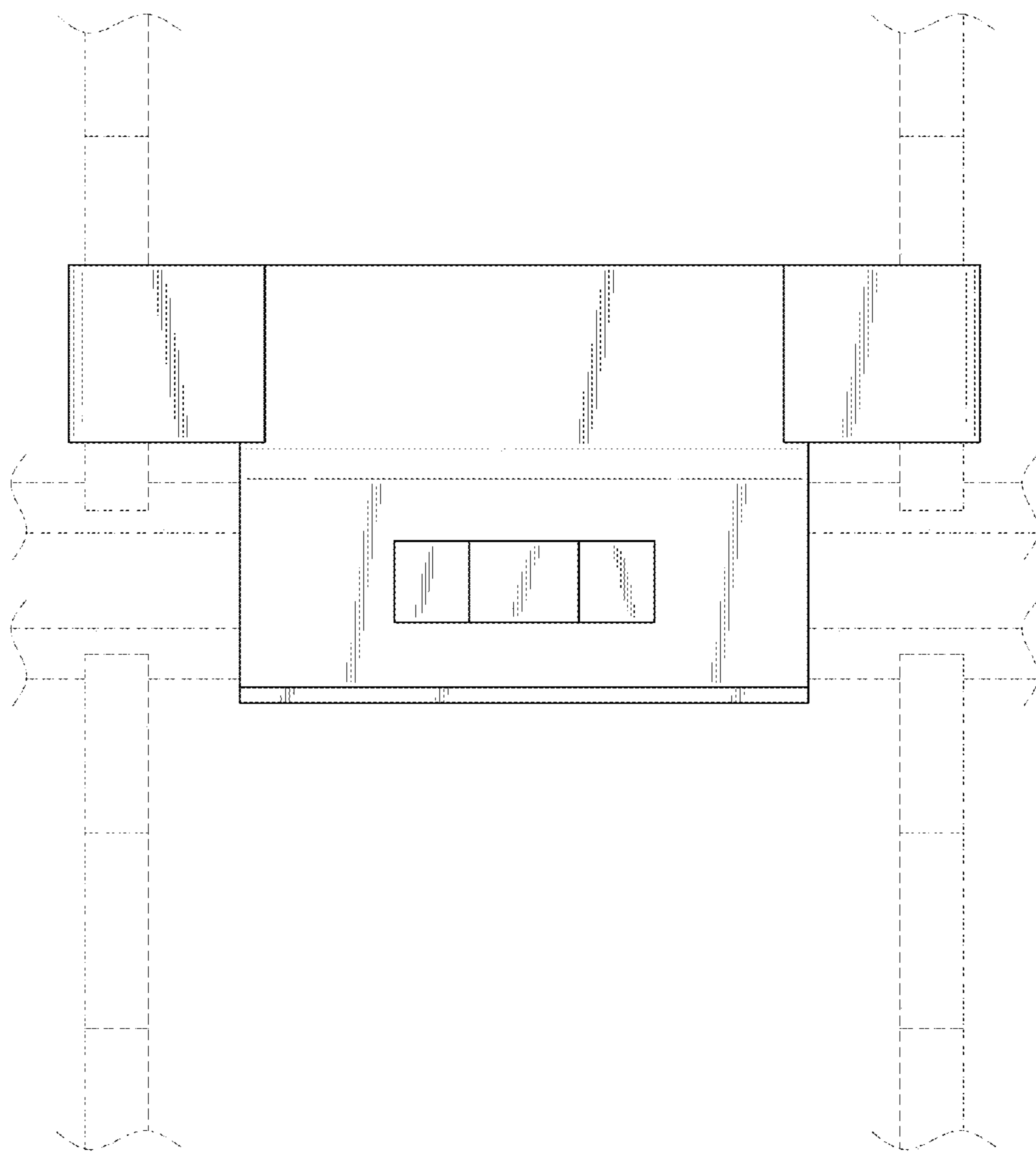


FIG. 2

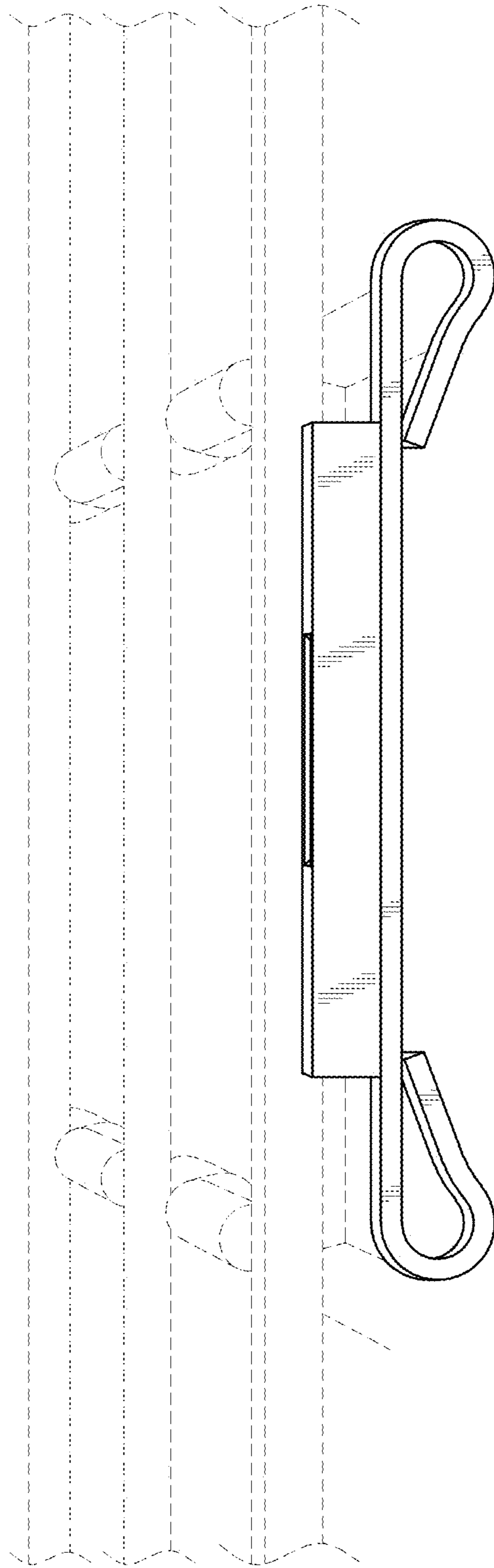


FIG. 3

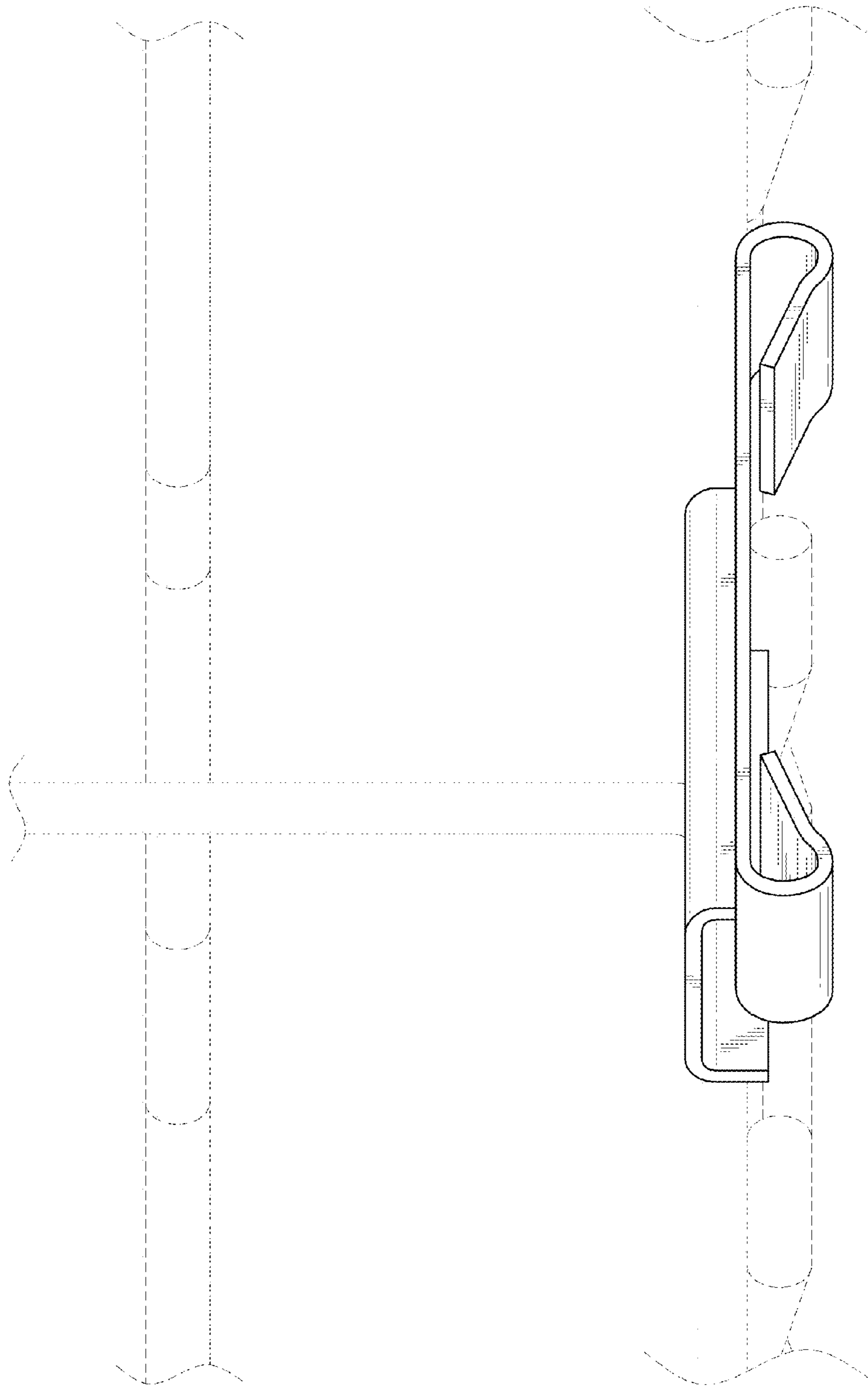


FIG. 4

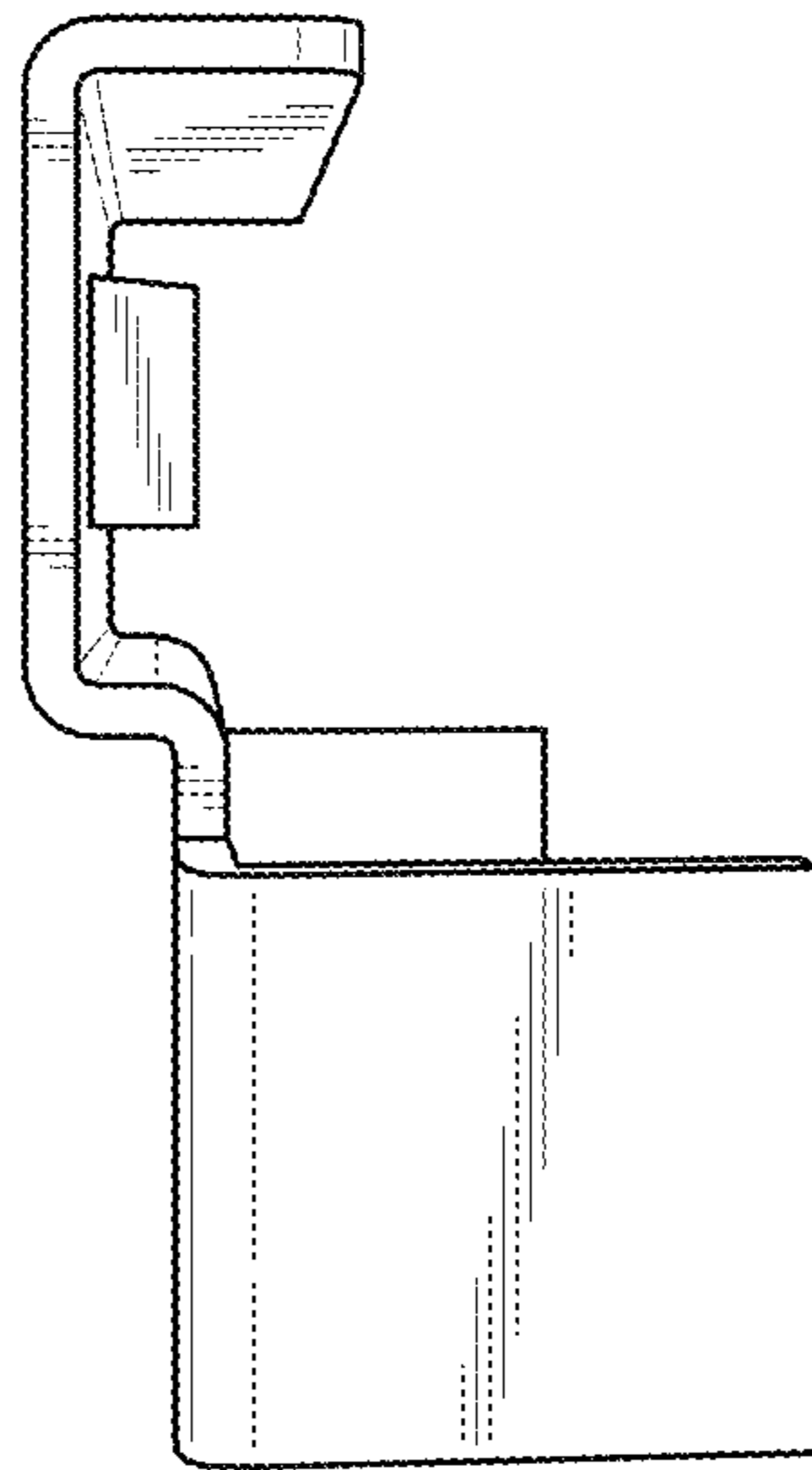


FIG. 5

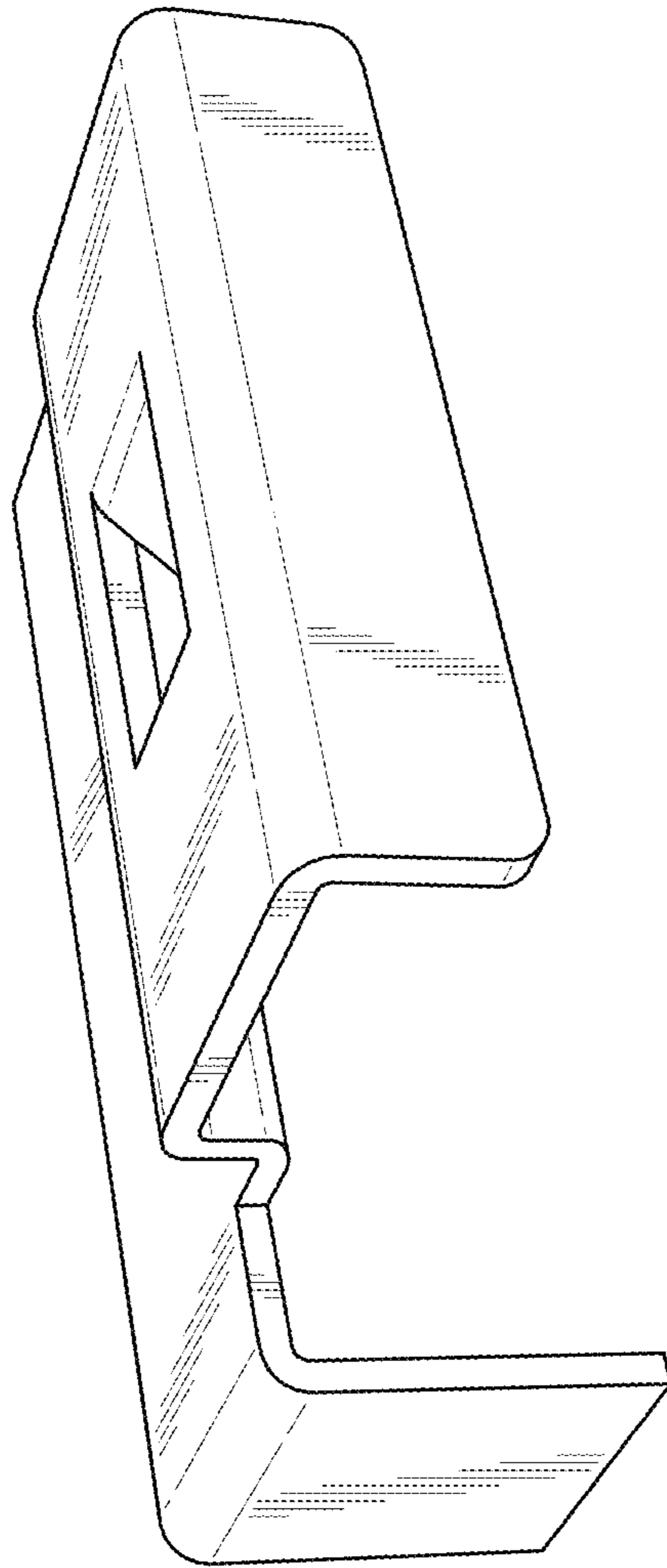


FIG. 6

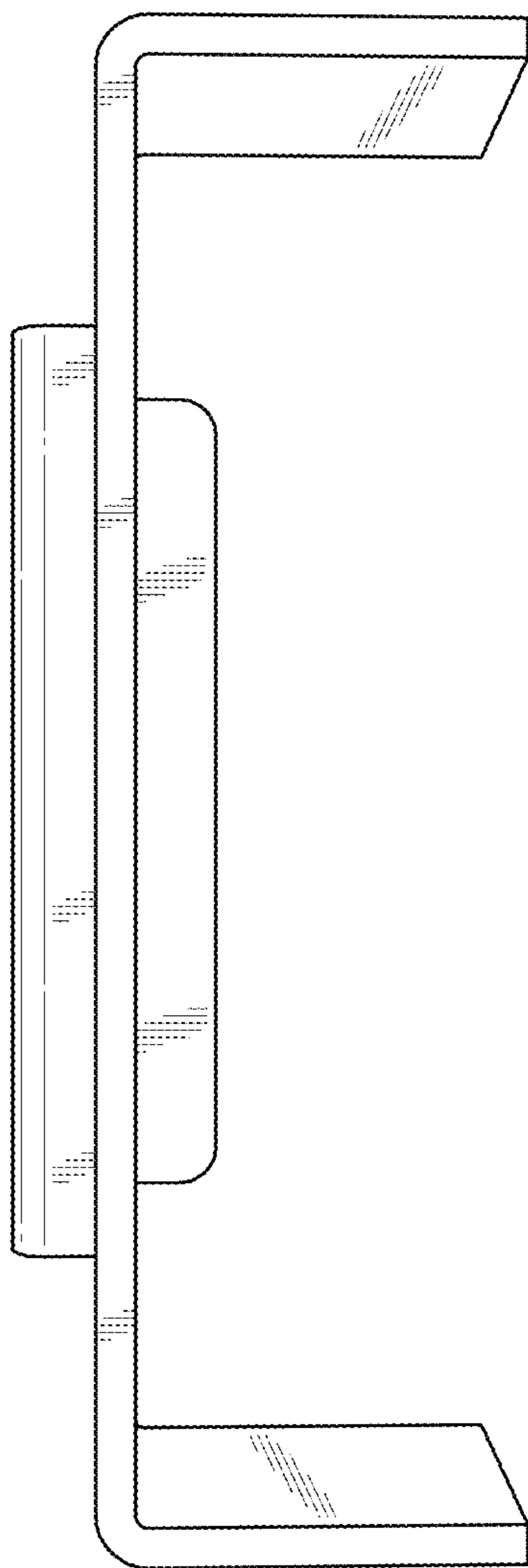


FIG. 7

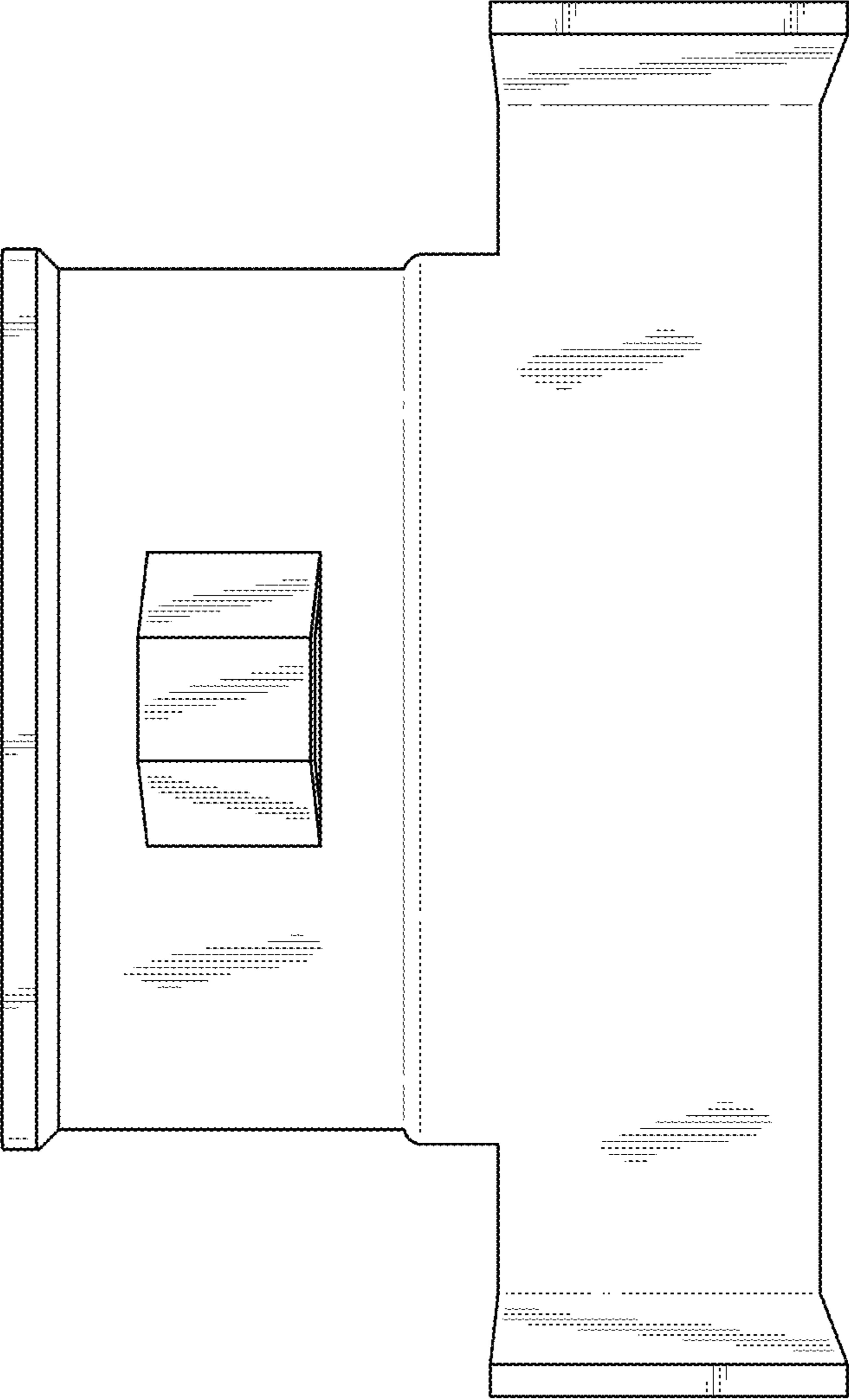


FIG. 8