



US00D745457S

(12) **United States Design Patent**  
**Perriere et al.**

(10) **Patent No.:** **US D745,457 S**

(45) **Date of Patent:** **\*\* Dec. 15, 2015**

(54) **HYDROGENERATOR FOR BOATING**

(56)

**References Cited**

(71) Applicant: **SAVE INGENIERIE SAS**, Grenoble (FR)

U.S. PATENT DOCUMENTS

(72) Inventors: **Bernard Perriere**, Seyssins (FR);  
**Jean-Dominique Zanus**, Le Grand Lemps (FR); **Gilles Lambinet**, Meylan (FR); **Emmanuel Dufour**, Voiron (FR)

D304,322 S *	10/1989	Meier .....	D13/114
D338,871 S *	8/1993	Carfagno .....	D13/115
5,540,606 A *	7/1996	Strayhorn .....	440/63
D487,060 S *	2/2004	Ehrenberger .....	D13/115
D664,922 S *	8/2012	La Pegna et al. ....	D13/115
D671,492 S *	11/2012	Bestaven et al. ....	D13/114

(73) Assignee: **SAVE INGENIERIE SAS**, Grenoble (FR)

\* cited by examiner

(\*\*) Term: **14 Years**

*Primary Examiner* — Derrick Holland

(21) Appl. No.: **29/485,875**

(74) *Attorney, Agent, or Firm* — Westerman, Hattori, Daniels & Adrian, LLP

(22) Filed: **Mar. 24, 2014**

(57) **CLAIM**

The ornamental design for a hydrogenerator for boating, as shown and described.

(30) **Foreign Application Priority Data**

Sep. 23, 2013 (FR) ..... 13/4088

**DESCRIPTION**

(51) **LOC (10) Cl.** ..... **13-01**

(52) **U.S. Cl.**  
USPC ..... **D13/114**

(58) **Field of Classification Search**  
USPC ..... D13/101, 112, 113, 114, 115, 116, 122,  
D13/184, 199; D12/214, 309, 317; 290/52,  
290/53, 54; 310/10, 11, 20, 64, 65, 66;  
367/17; 415/1, 182.1, 188, 199.4, 200

FIG. 1 is a front perspective view of a hydrogenerator for boating showing our new design;  
FIG. 2 is a back perspective view thereof;  
FIG. 3 is a front perspective view thereof, shown in a folded position; and,  
FIG. 4 is a back perspective view thereof, shown in a folded position.

See application file for complete search history.

**1 Claim, 4 Drawing Sheets**

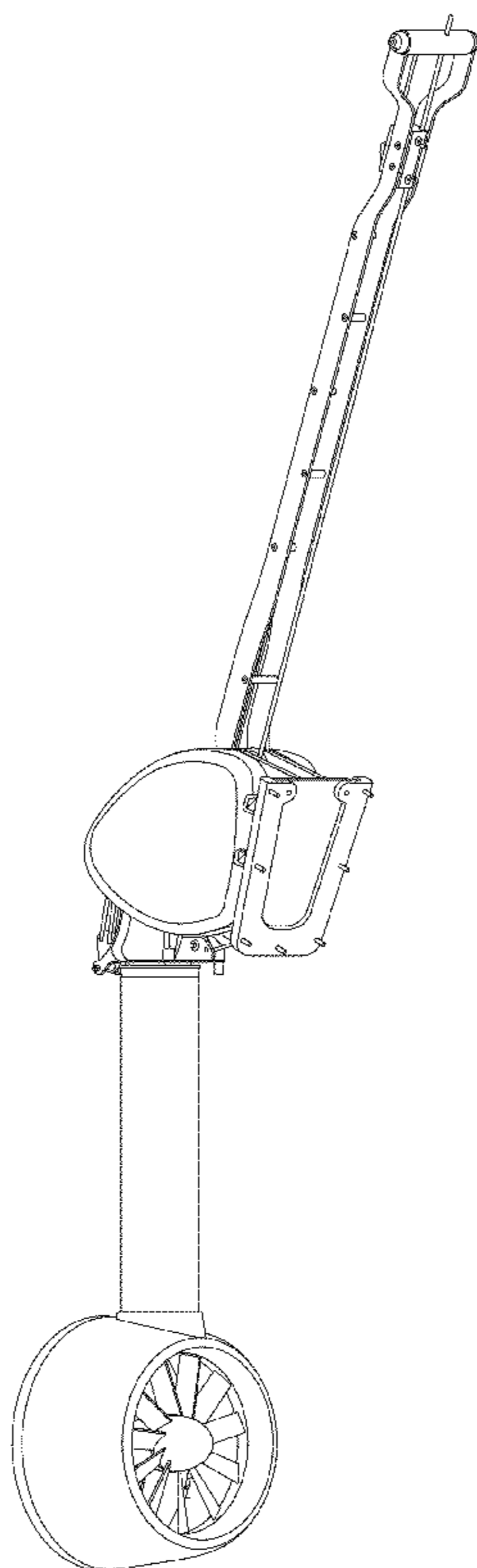


FIG. 1

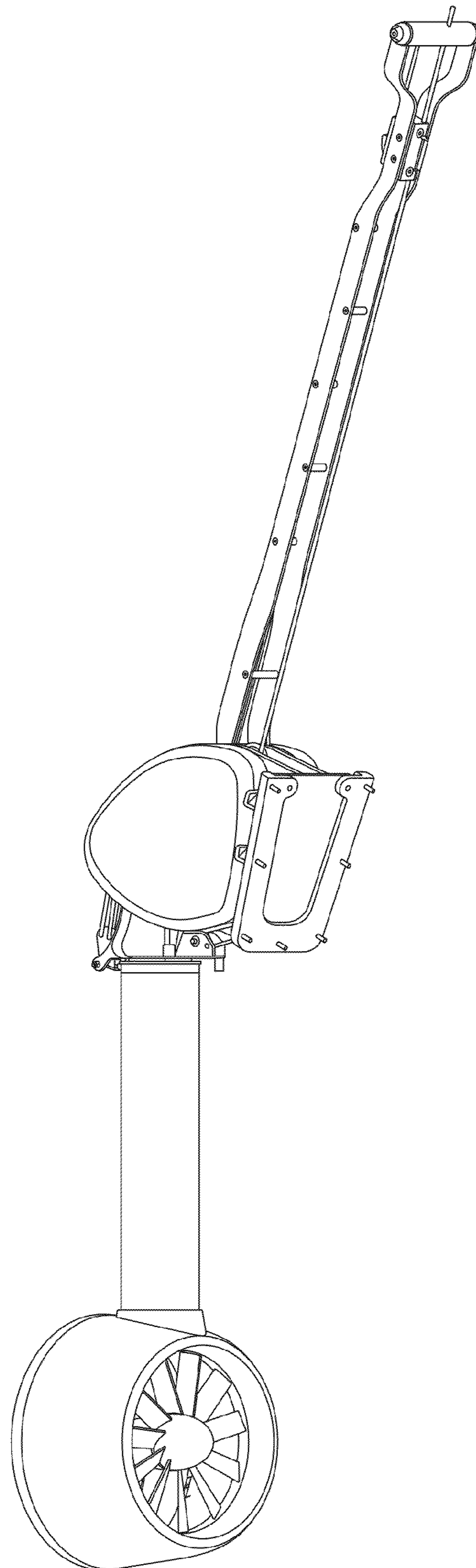


FIG. 2

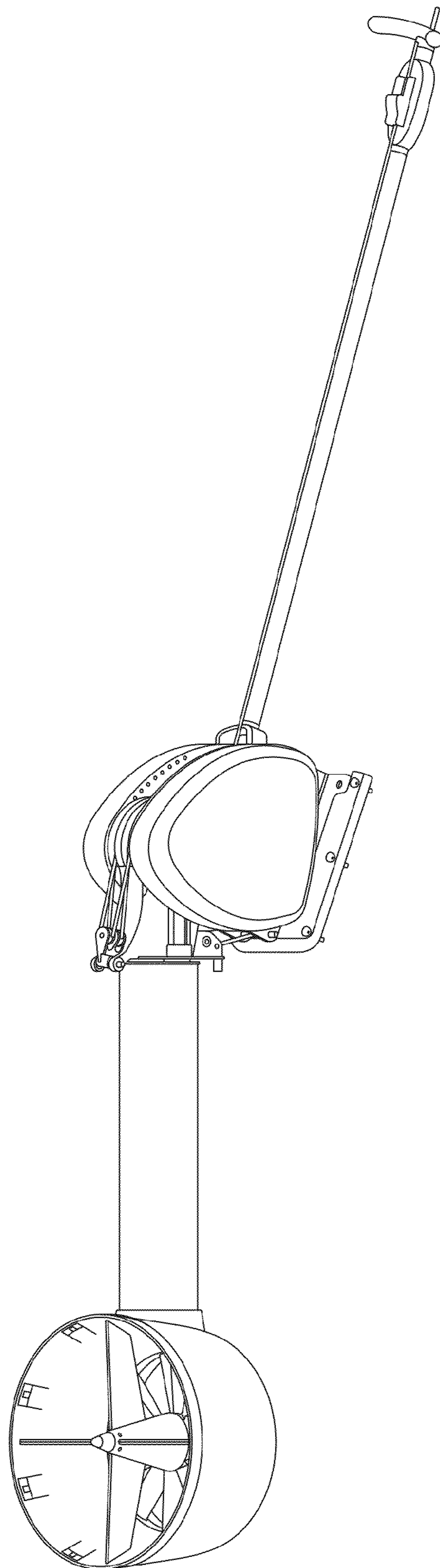


FIG. 3

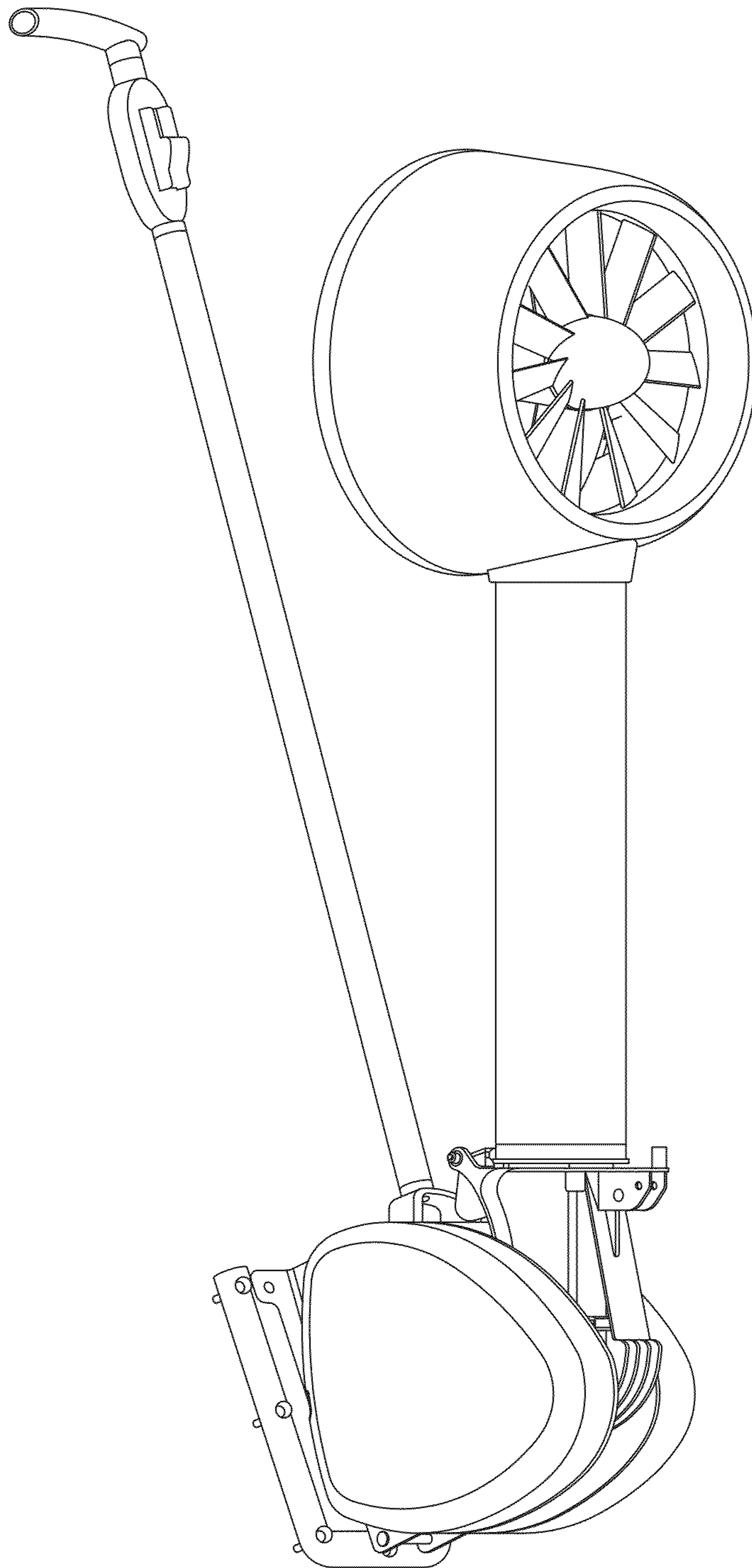


FIG. 4

