



US00D745456S

(12) **United States Design Patent**
Fung et al.

(10) **Patent No.:** **US D745,456 S**
(45) **Date of Patent:** **** Dec. 15, 2015**

(54) **ELECTRICAL CHARGER**

(71) Applicant: **Linear Flux Company Limited,**
Cheung Sha Wan, Kowloon (HK)

(72) Inventors: **Sin Yee Fung,** Cheung Sha Wan (HK);
Ka Lun Chan, Cheung Sha Wan (HK)

(73) Assignee: **Linear Flux Company Limited,**
Kowloon (HK)

(**) Term: **14 Years**

(21) Appl. No.: **29/489,346**

(22) Filed: **Apr. 29, 2014**

(51) **LOC (10) Cl.** **13-02**

(52) **U.S. Cl.**
USPC **D13/108**

(58) **Field of Classification Search**
USPC D13/102–110, 118–119, 184, 199;
D14/356, 432; 320/103, 111–115,
320/135–146

CPC Y02E 60/10; Y02E 60/12; Y02E 60/122;
Y02E 60/124; Y02E 60/50; H01M 2/02;
H01M 2/022; H01M 2/0202; H01M 2/0207;
H01M 2/0212; H01M 2/1061; H01M 2/1022;
H01M 2/1055; H01M 2/1066; H01M 2/105;
H01M 2/20; H01M 2/202; H01M 2/204;
H01M 2/206; H01M 10/4257; H01M 10/0436;
H01M 10/48; H01M 10/44; H01M 10/46;
H01M 10/465; H01M 10/482; H01M 10/488;
H01M 10/24; H01M 2200/30; H01M 2250/30;
H01M 2250/40; H02J 7/00; H02J 7/0003;
H02J 7/0011; H02J 7/0013; H02J 7/02;
H02J 7/04; H02J 7/0027; H02J 7/0054;
H02J 7/0055; H02J 2007/0062

See application file for complete search history.

(56) **References Cited**

U.S. PATENT DOCUMENTS

D580,354	S	*	11/2008	Dunbar et al.	D13/108
D610,538	S	*	2/2010	Wu et al.	D13/103
D618,237	S	*	6/2010	Wang	D14/356
D628,153	S	*	11/2010	Fujii et al.	D13/108
D628,535	S	*	12/2010	Cheng	D13/108
D659,094	S	*	5/2012	Brand et al.	D13/108
D667,788	S	*	9/2012	Mai	D13/110
D674,748	S	*	1/2013	Ferber et al.	D13/108
D675,156	S	*	1/2013	Vandiver et al.	D13/108
D680,063	S	*	4/2013	Sasada	D13/103
D682,196	S	*	5/2013	Leung	D13/103
D682,197	S	*	5/2013	Leung	D13/103
D686,153	S	*	7/2013	Qu	D13/103
D697,867	S	*	1/2014	Weinstein et al.	D13/108
D713,785	S	*	9/2014	Tehrani	D13/108
2014/0042969	A1	*	2/2014	Miller et al.	320/111

* cited by examiner

Primary Examiner — Rosemary K Tarcza

(74) *Attorney, Agent, or Firm* — Thomas Schneck

(57) **CLAIM**

We claim the design for an electrical charger, as shown and described.

DESCRIPTION

FIG. 1 is a perspective view of an electrical charger of our new design;

FIG. 2 is a top view thereof;

FIG. 3 is a front view thereof;

FIG. 4 is a back view thereof;

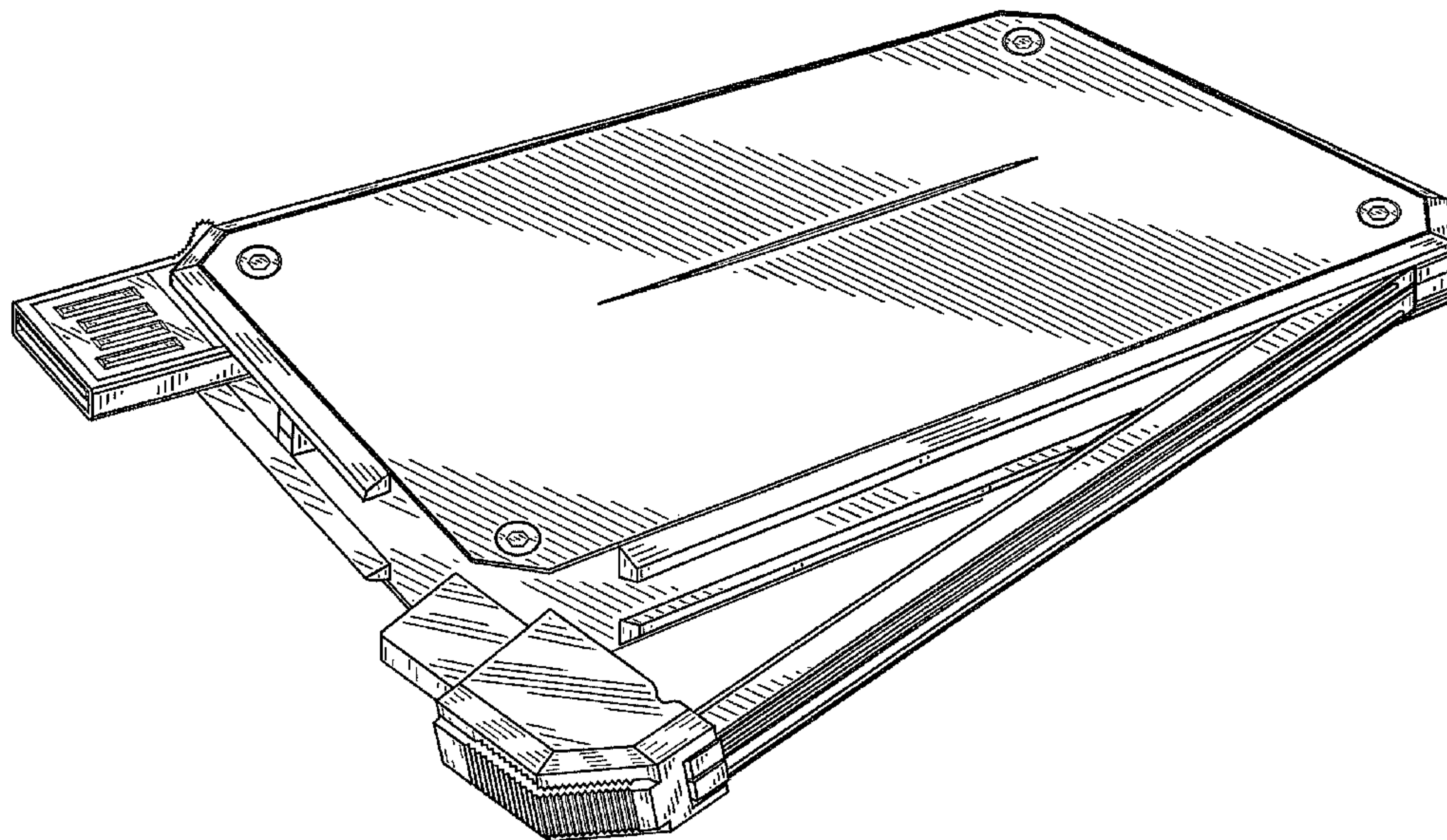
FIG. 5 is a left side view thereof;

FIG. 6 is a right side view thereof; and,

FIG. 7 is a bottom view thereof.

The broken lines in FIG. 5 depict portions of the electrical charger that form no part of the claimed design.

1 Claim, 3 Drawing Sheets



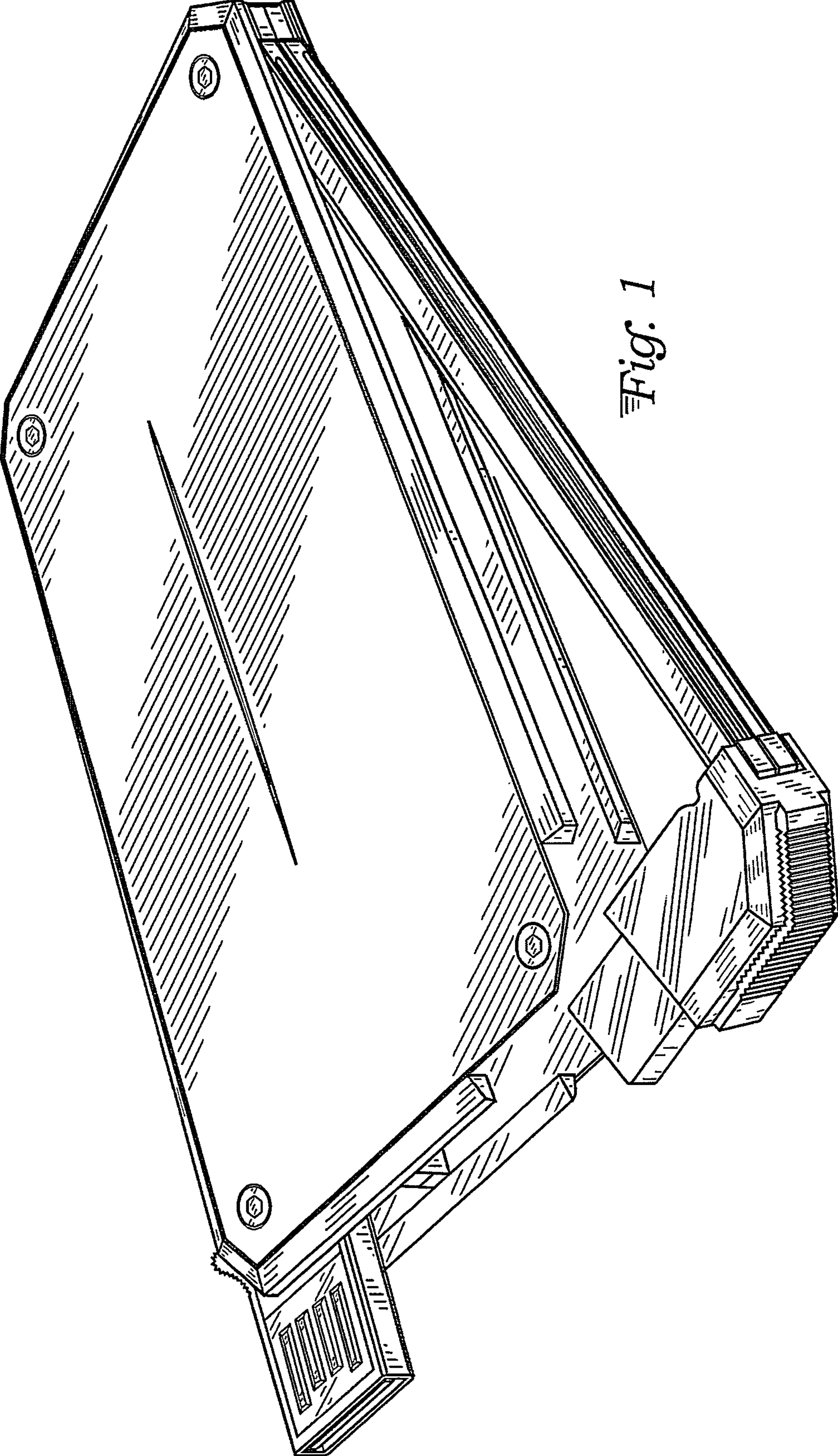


Fig. 1

Fig. 4



Fig. 6

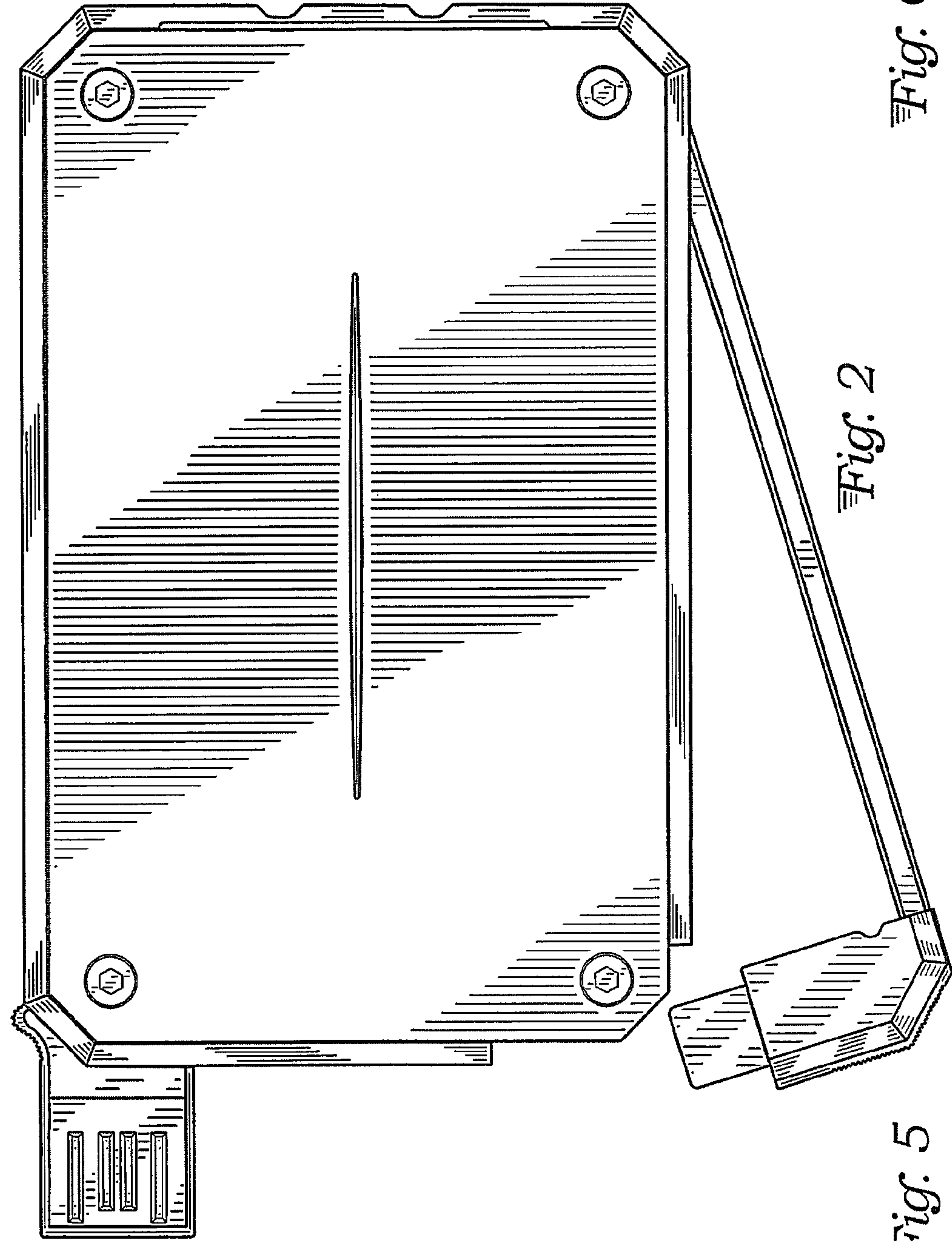


Fig. 2

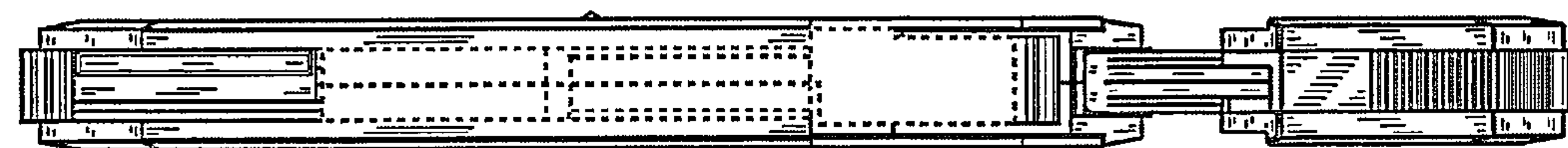
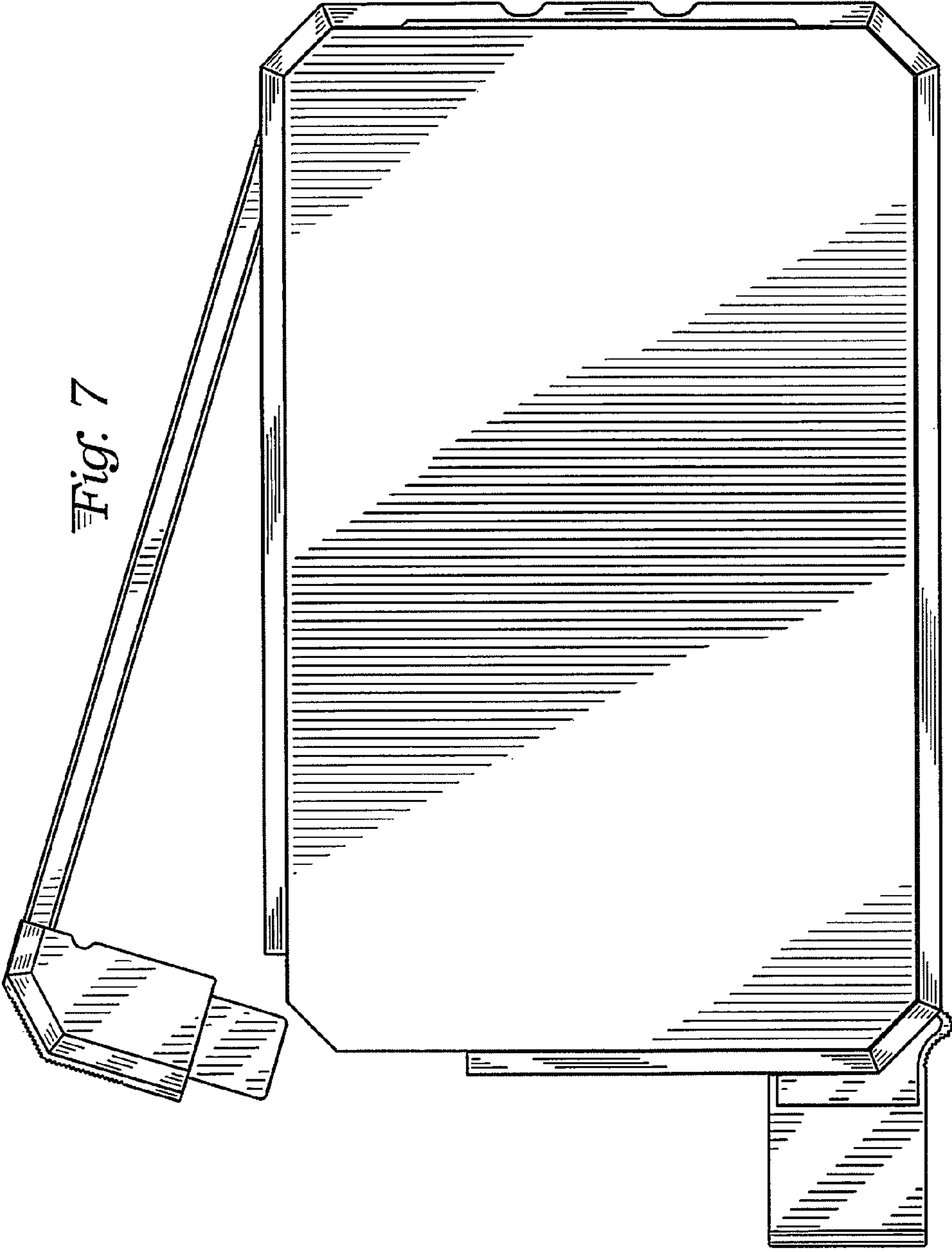


Fig. 5

Fig. 3



Fig. 7



UNITED STATES PATENT AND TRADEMARK OFFICE
CERTIFICATE OF CORRECTION

PATENT NO. : D745,456 S
APPLICATION NO. : 29/489346
DATED : December 15, 2015
INVENTOR(S) : Sin Yee Fung et al.

Page 1 of 1

It is certified that error appears in the above-identified patent and that said Letters Patent is hereby corrected as shown below:

Title Page

Add:

-- (30) Foreign Application Priority Data

Oct. 29, 2013 (HK) 1301942.3 --

Signed and Sealed this
Tenth Day of May, 2016



Michelle K. Lee
Director of the United States Patent and Trademark Office