



US00D745445S

(12) **United States Design Patent**  
**Loeb**

(10) **Patent No.:** **US D745,445 S**  
(45) **Date of Patent:** **\*\* Dec. 15, 2015**

- (54) **VEHICLE REAR BUMPER**
- (71) Applicant: **GM GLOBAL TECHNOLOGY OPERATIONS LLC**, Detroit, MI (US)
- (72) Inventor: **Niels Loeb**, Wiesbaden (DE)
- (73) Assignee: **GM GLOBAL TECHNOLOGY OPERATIONS LLC**, Detroit, MI (US)
- (\*\*) Term: **14 Years**
- (21) Appl. No.: **29/495,198**
- (22) Filed: **Jun. 27, 2014**
- (51) **LOC (10) Cl.** ..... **12-16**
- (52) **U.S. Cl.**  
USPC ..... **D12/169**
- (58) **Field of Classification Search**  
USPC ..... D12/169, 216, 90-92, 86, 171, 196,  
D12/163; 293/102, 113, 115, 117, 120;  
296/180.1, 180.2  
  
CPC . B60R 19/52; B60R 2019/25; B62D 25/0845  
See application file for complete search history.

D590,308 S *	4/2009	Futschik et al.	.....	D12/169
D615,009 S *	5/2010	Schell et al.	.....	D12/169
D619,509 S *	7/2010	Choi et al.	.....	D12/164
D640,613 S *	6/2011	Bauer et al.	.....	D12/169
D640,616 S *	6/2011	Schell et al.	.....	D12/169
D647,831 S *	11/2011	Murakawa et al.	.....	D12/169
D653,593 S *	2/2012	Nishihama	.....	D12/169
D663,658 S *	7/2012	Karras et al.	.....	D12/169
D671,049 S *	11/2012	Davidson et al.	.....	D12/169
D673,088 S *	12/2012	Thompson	.....	D12/169
D711,294 S *	8/2014	Karras et al.	.....	D12/169
D721,022 S *	1/2015	Hanaoka	.....	D12/169
D722,926 S *	2/2015	Kato	.....	D12/169
D734,222 S *	7/2015	Duff et al.	.....	D12/169

\* cited by examiner

*Primary Examiner* — Melody N Brown  
(74) *Attorney, Agent, or Firm* — Mickki D. Murray; Parks Wood LLC

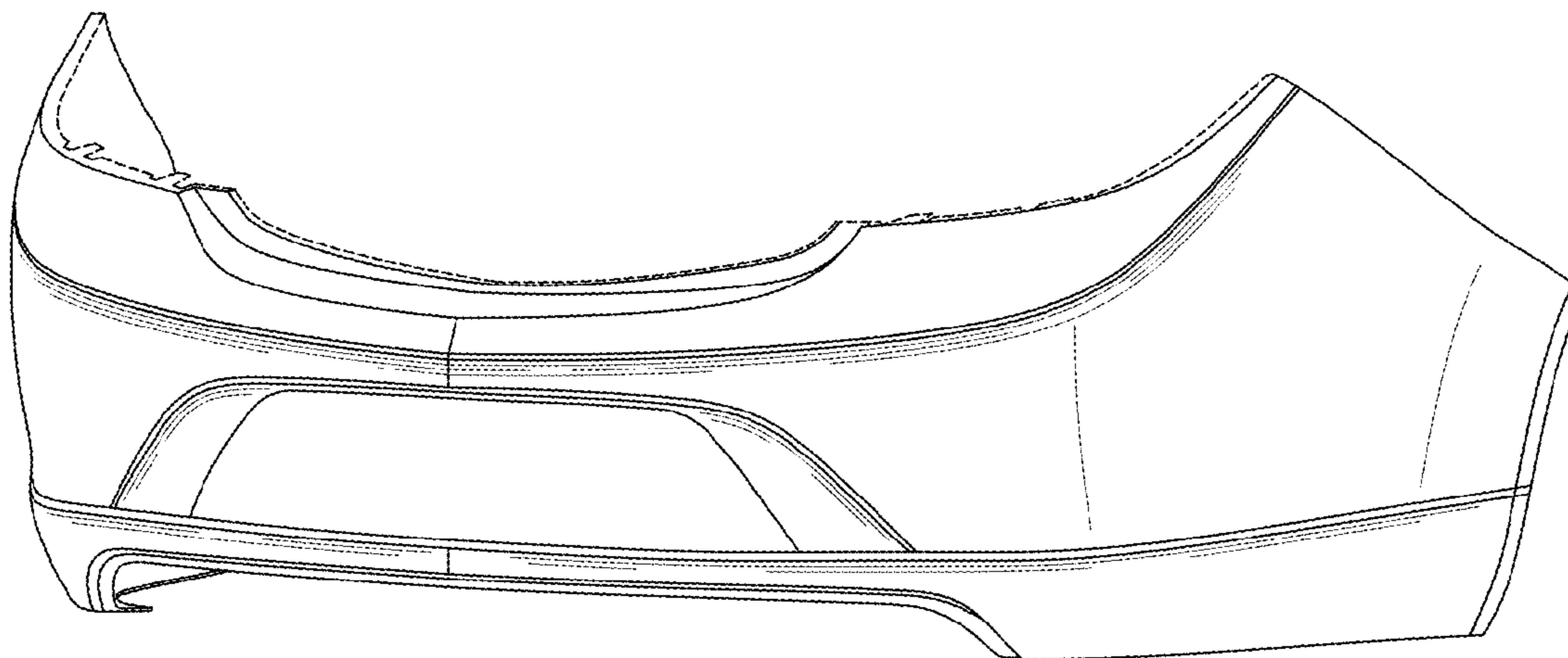
(57) **CLAIM**  
The ornamental design for a vehicle rear bumper, as shown and described.

**DESCRIPTION**

FIG. 1 is a perspective view of a vehicle rear bumper showing the new design;  
FIG. 2 is a rear view, thereof;  
FIG. 3 is a side view thereof; and,  
FIG. 4 is a top plan view thereof.  
The broken lines shown in the drawings illustrate portions of the vehicle rear bumper that form no part of claimed design.

**1 Claim, 2 Drawing Sheets**

- (56) **References Cited**  
U.S. PATENT DOCUMENTS  
  
6,520,553 B2 \* 2/2003 Muramatsu ..... 293/155  
D583,725 S \* 12/2008 Schiavone et al. .... D12/169  
D589,416 S \* 3/2009 Osborne et al. .... D12/169



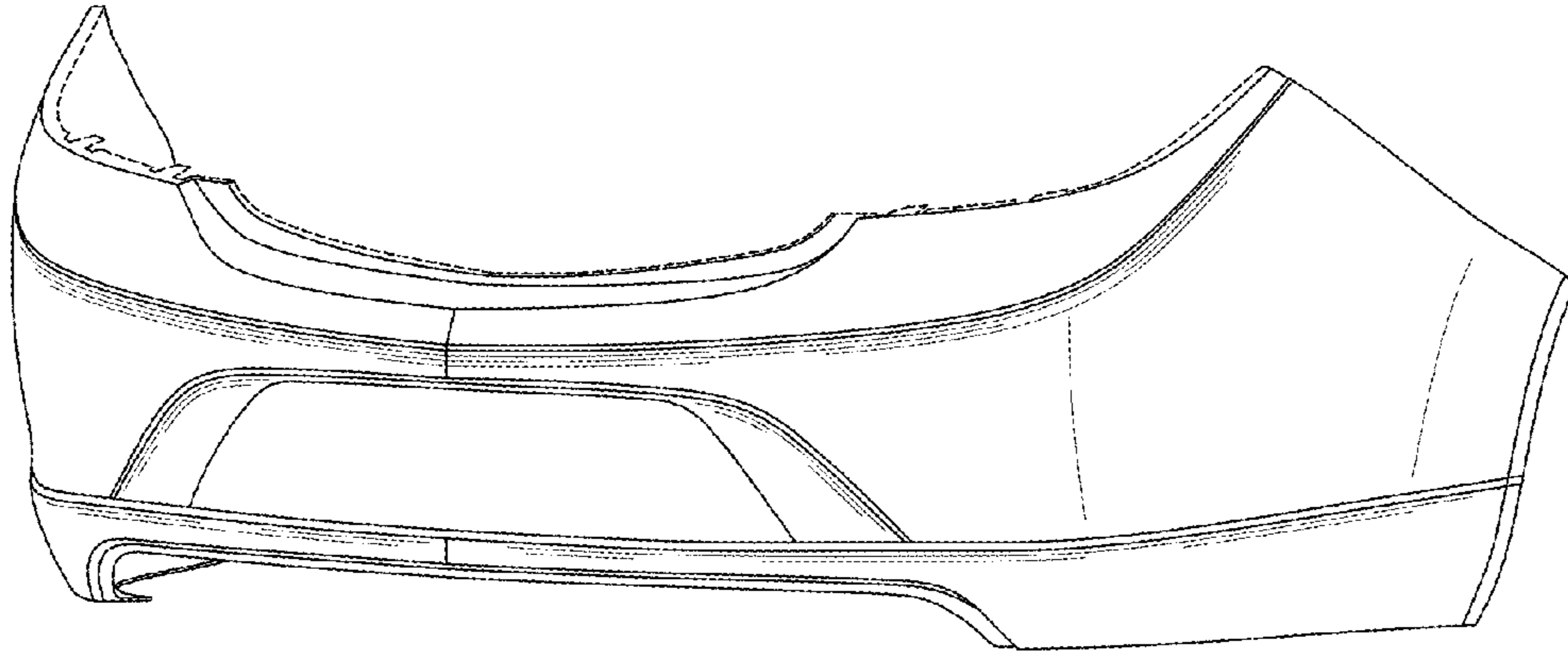


Fig-1

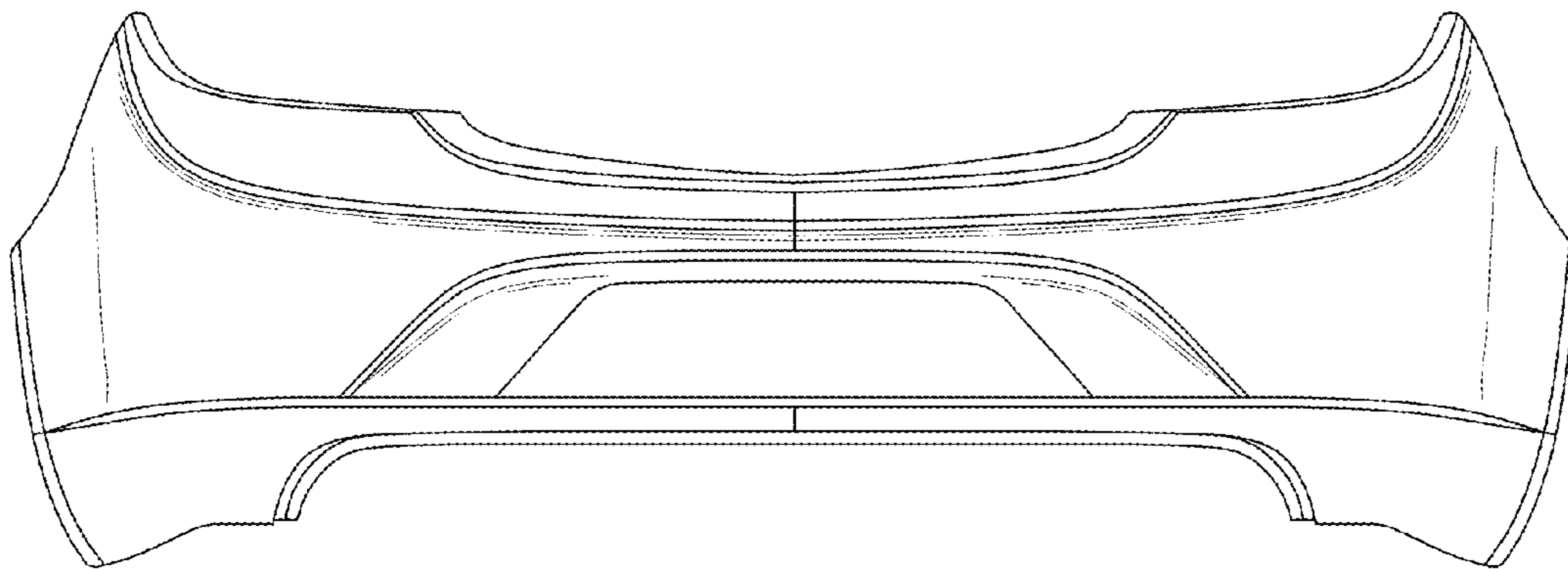


Fig-2

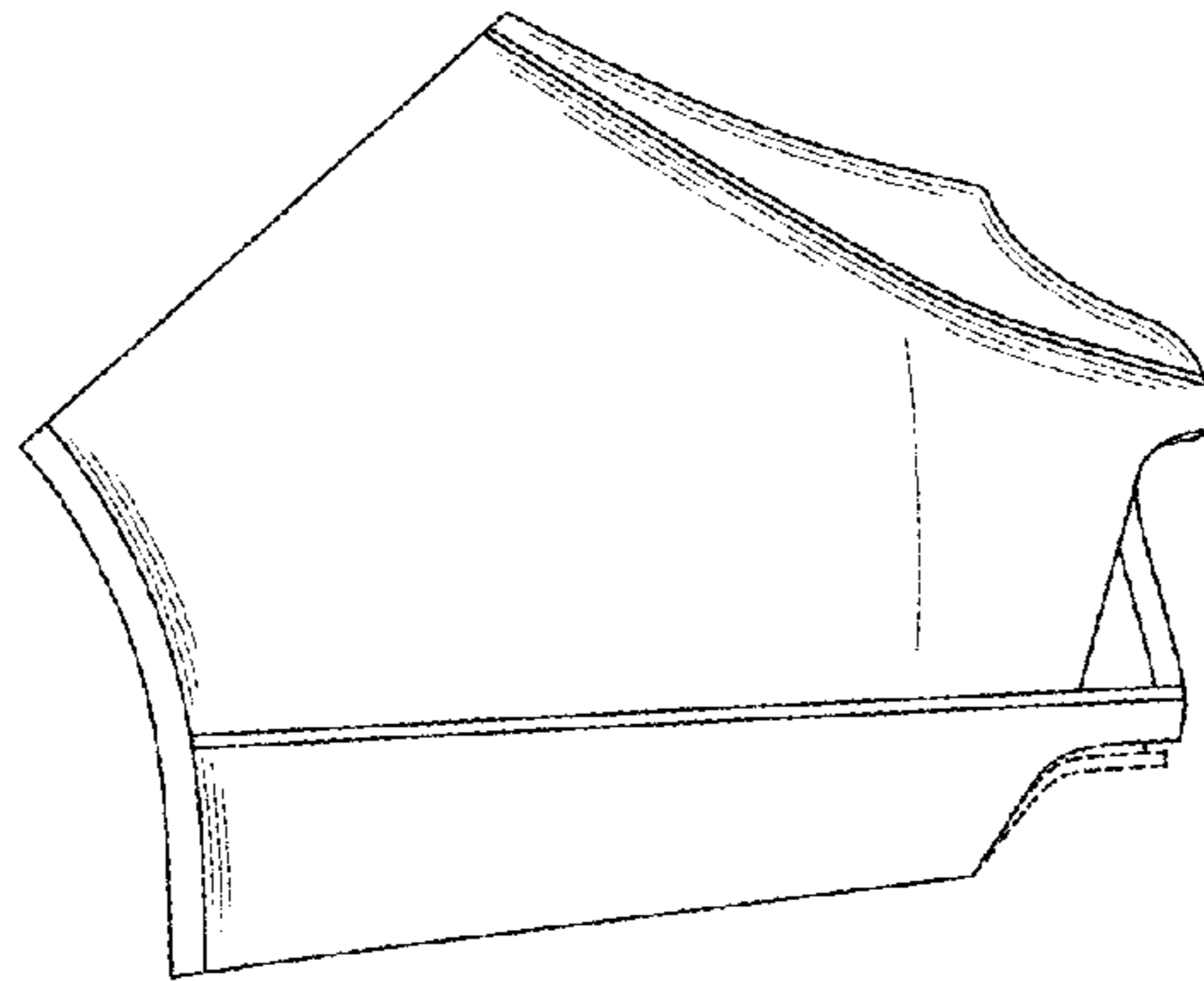


Fig-3

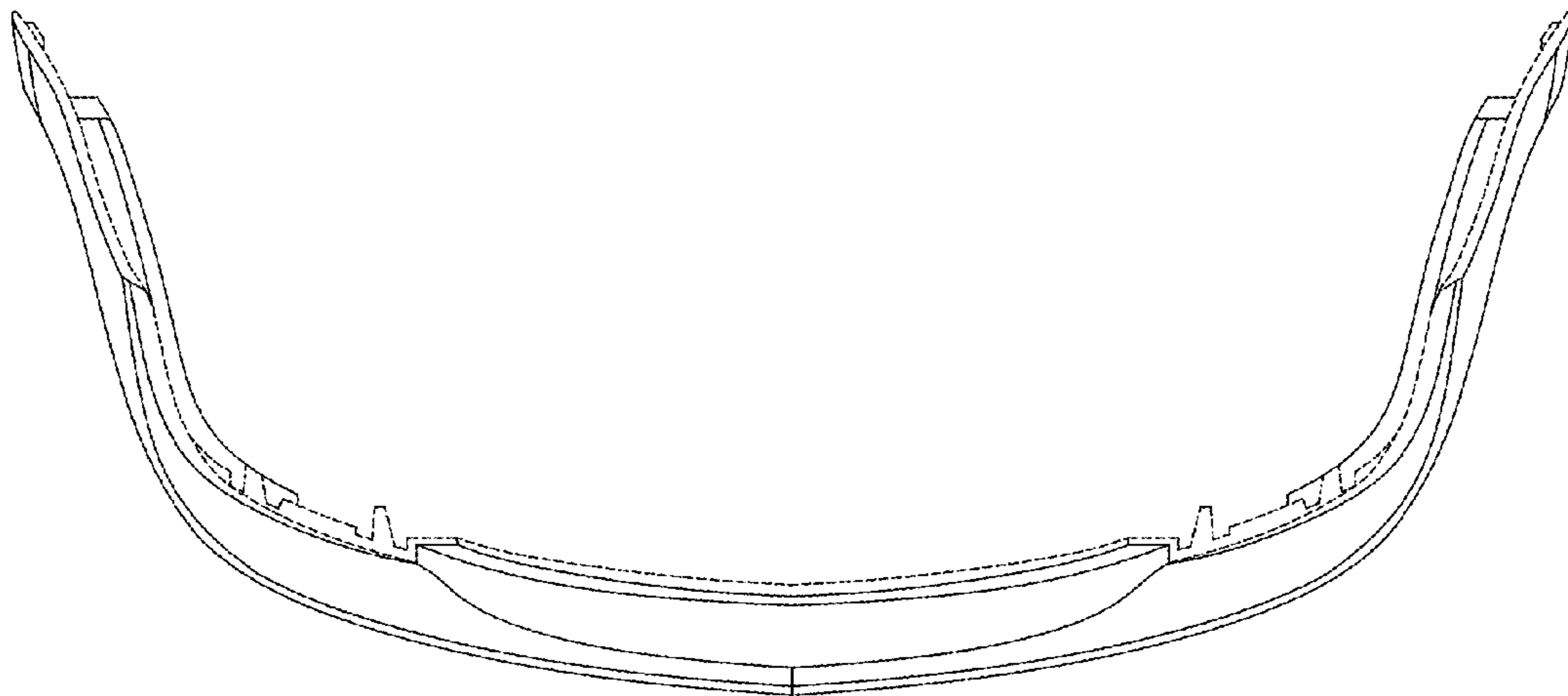


Fig-4