



US00D745443S

(12) **United States Design Patent**
Van Olst et al.

(10) **Patent No.:** **US D745,443 S**

(45) **Date of Patent:** **** Dec. 15, 2015**

(54) **WHEELCHAIR SHROUD**

(71) Applicant: **Karma Medical Products Co., Ltd.**,
Chia-Yi (TW)

(72) Inventors: **Eric Van Olst**, Denekamp (NL);
Chih-Chuan Yang, Chia-Yi (TW);
Cheng-Jy Tien, Chia-Yi (TW)

(73) Assignee: **KARMA MEDICAL PRODUCTS**
CO., LTD., Chia-Yi (TW)

(**) Term: **14 Years**

(21) Appl. No.: **29/499,877**

(22) Filed: **Aug. 19, 2014**

(51) **LOC (10) Cl.** **12-12**

(52) **U.S. Cl.**
USPC **D12/133**

(58) **Field of Classification Search**
USPC D12/131, 133
CPC A61G 5/00–5/14
See application file for complete search history.

(56) **References Cited**

U.S. PATENT DOCUMENTS

D561,066 S *	2/2008	Cheng	D12/133
D600,169 S *	9/2009	Chiu	D12/133
D635,492 S *	4/2011	Art	D12/133
D635,493 S *	4/2011	Art	D12/133

D642,499 S *	8/2011	Tuckowski	D12/133
D652,357 S *	1/2012	Jurkiewicz	D12/128
D653,176 S *	1/2012	Jurkiewicz	D12/131
D656,070 S *	3/2012	Spalding	D12/131
D689,412 S *	9/2013	Mohan	D12/133
D689,413 S *	9/2013	Mohan	D12/133
D720,659 S *	1/2015	Tuckowski	D12/131
D720,661 S *	1/2015	Siao	D12/131
D720,663 S *	1/2015	Spalding	D12/133

* cited by examiner

Primary Examiner — Susan Bennett Hattan

Assistant Examiner — Charles Hanson

(74) *Attorney, Agent, or Firm* — Christensen O'Connor
Johnson Kindness PLLC

(57) **CLAIM**

The ornamental design for wheelchair shroud, as shown and described.

DESCRIPTION

FIG. 1 is a perspective view of wheelchair shroud showing our new design;

FIG. 2 is a front elevational view thereof;

FIG. 3 is a rear elevational view thereof;

FIG. 4 is a left side elevational view thereof;

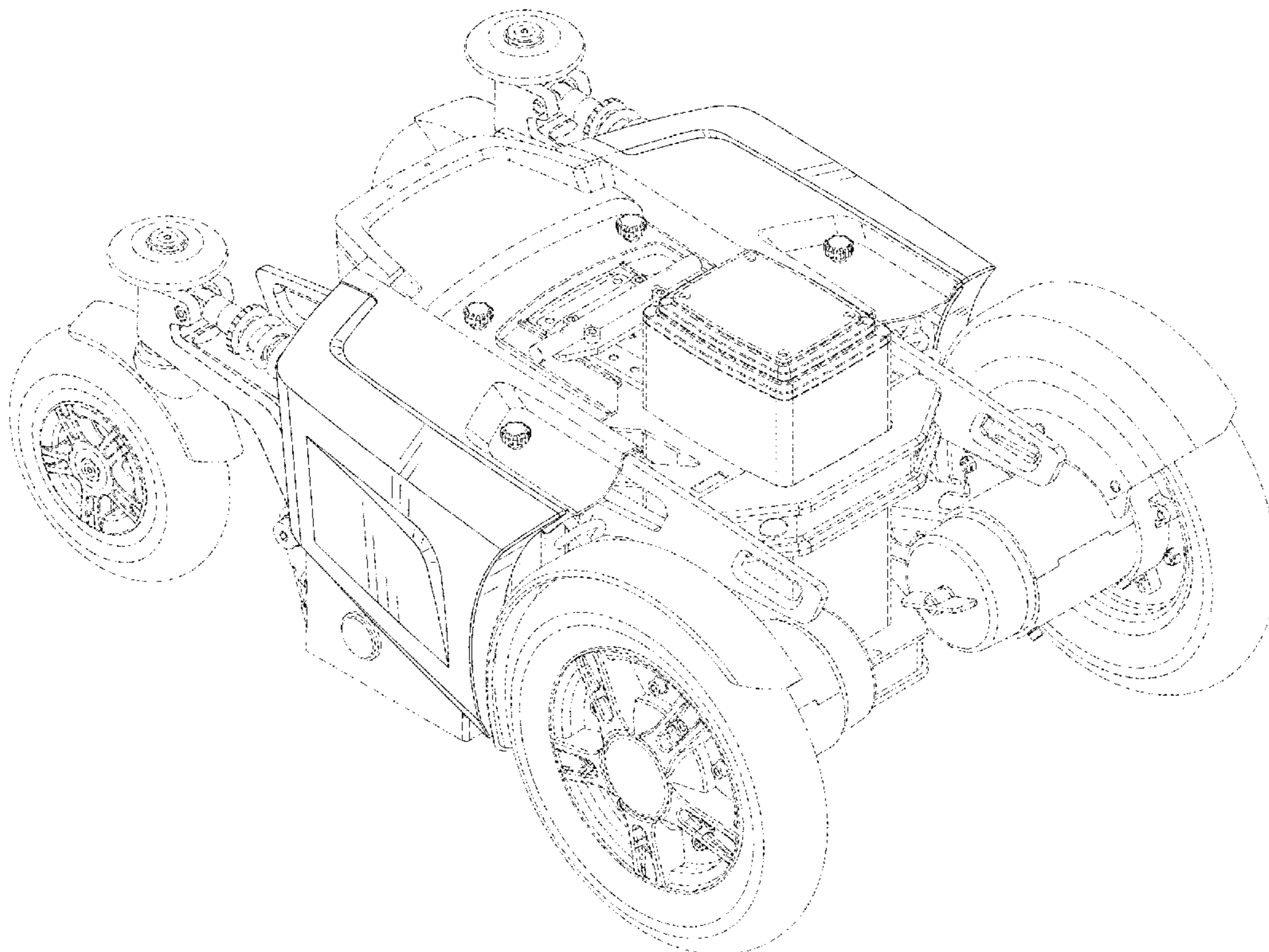
FIG. 5 is a right side elevational view thereof;

FIG. 6 is a top plan view thereof; and,

FIG. 7 is a bottom plan view thereof.

The portions shown in dashed lines do not form part of the design.

1 Claim, 6 Drawing Sheets



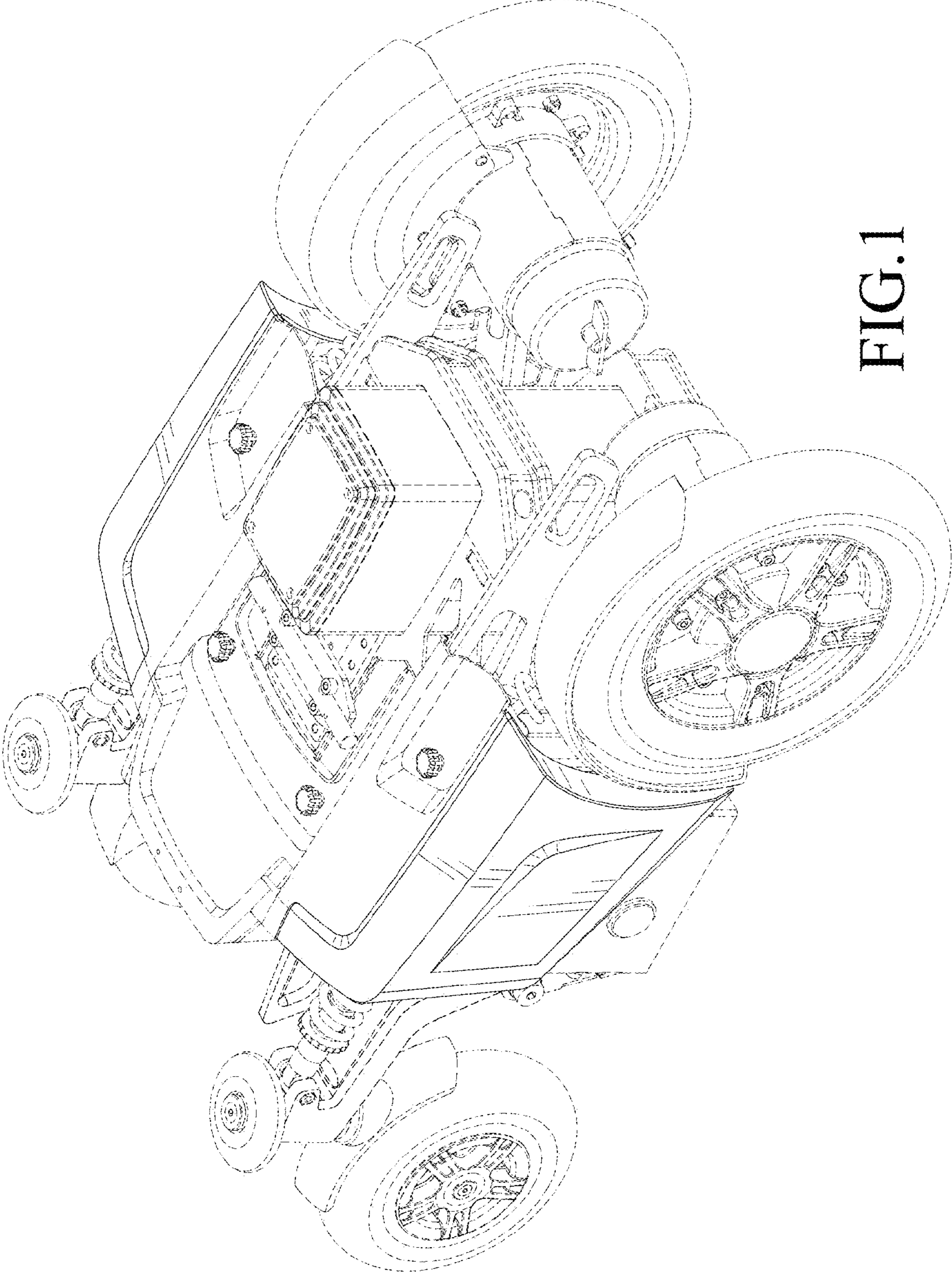


FIG. 1

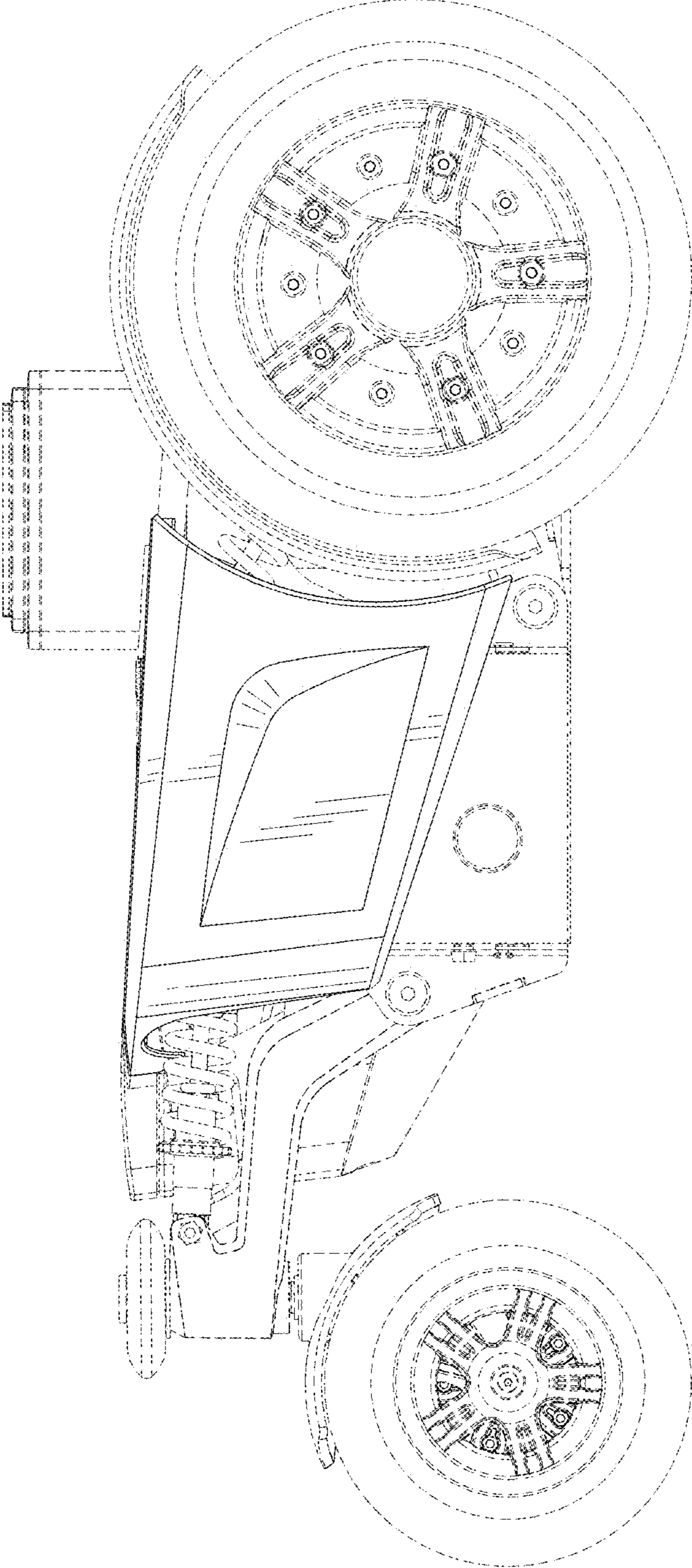


FIG. 2

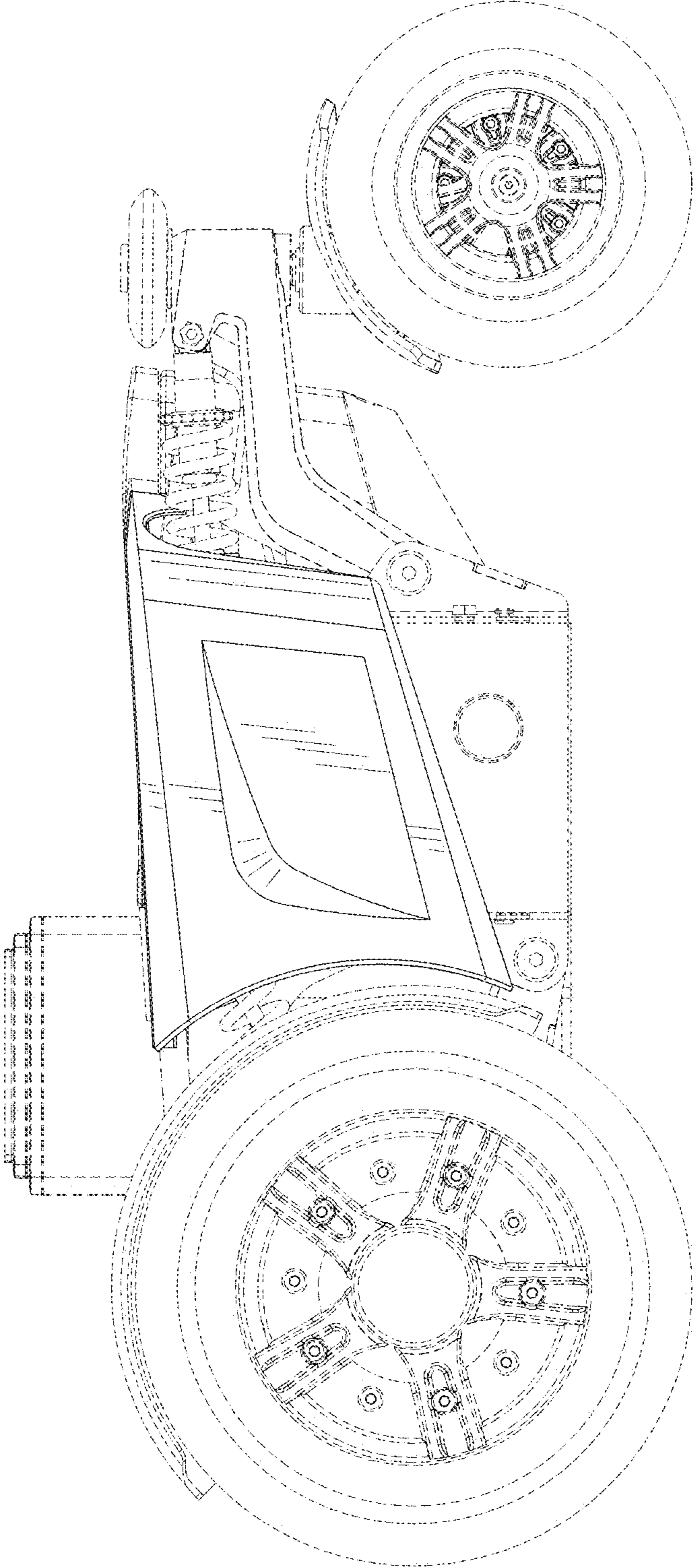


FIG.3

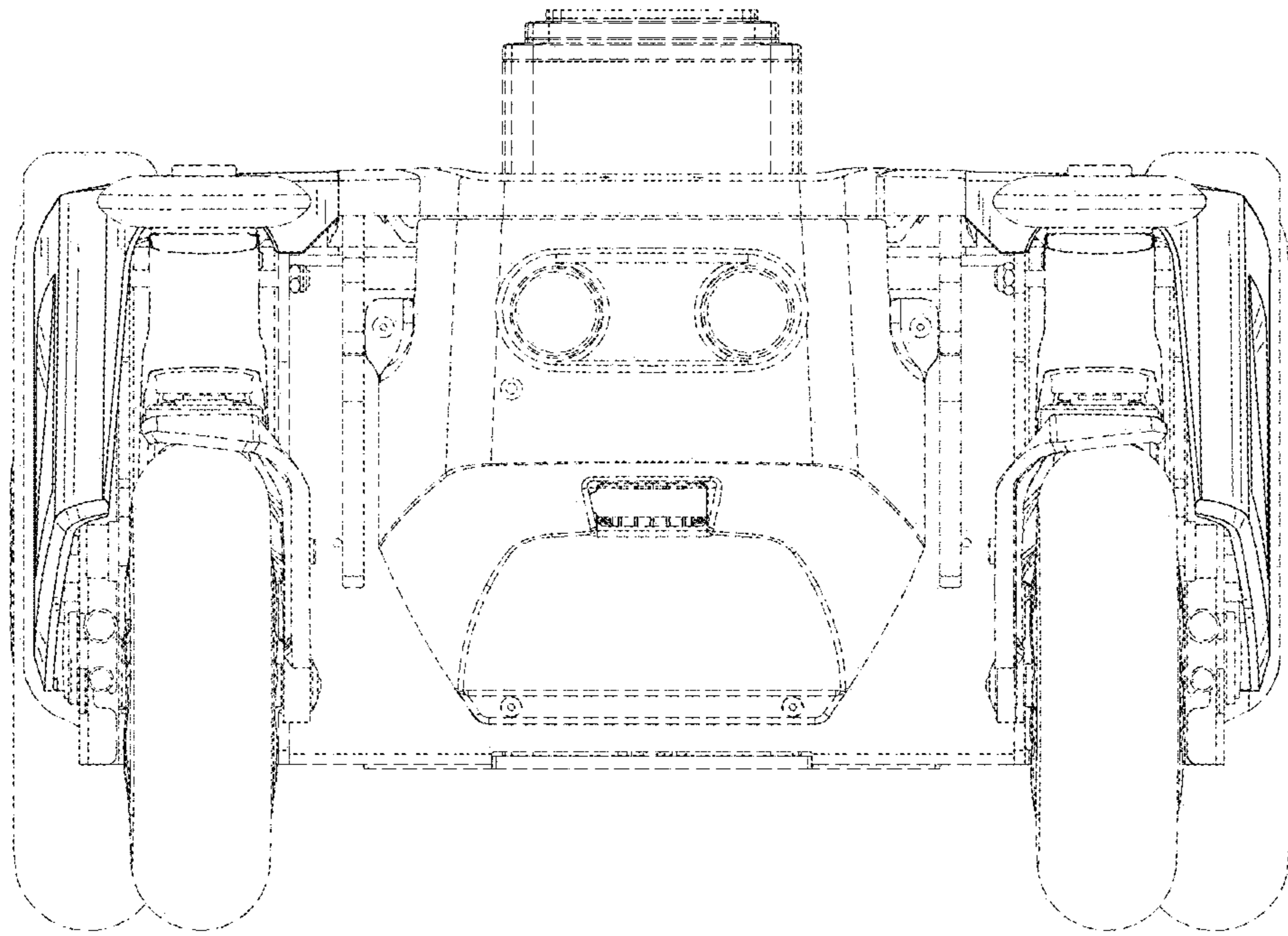


FIG. 4

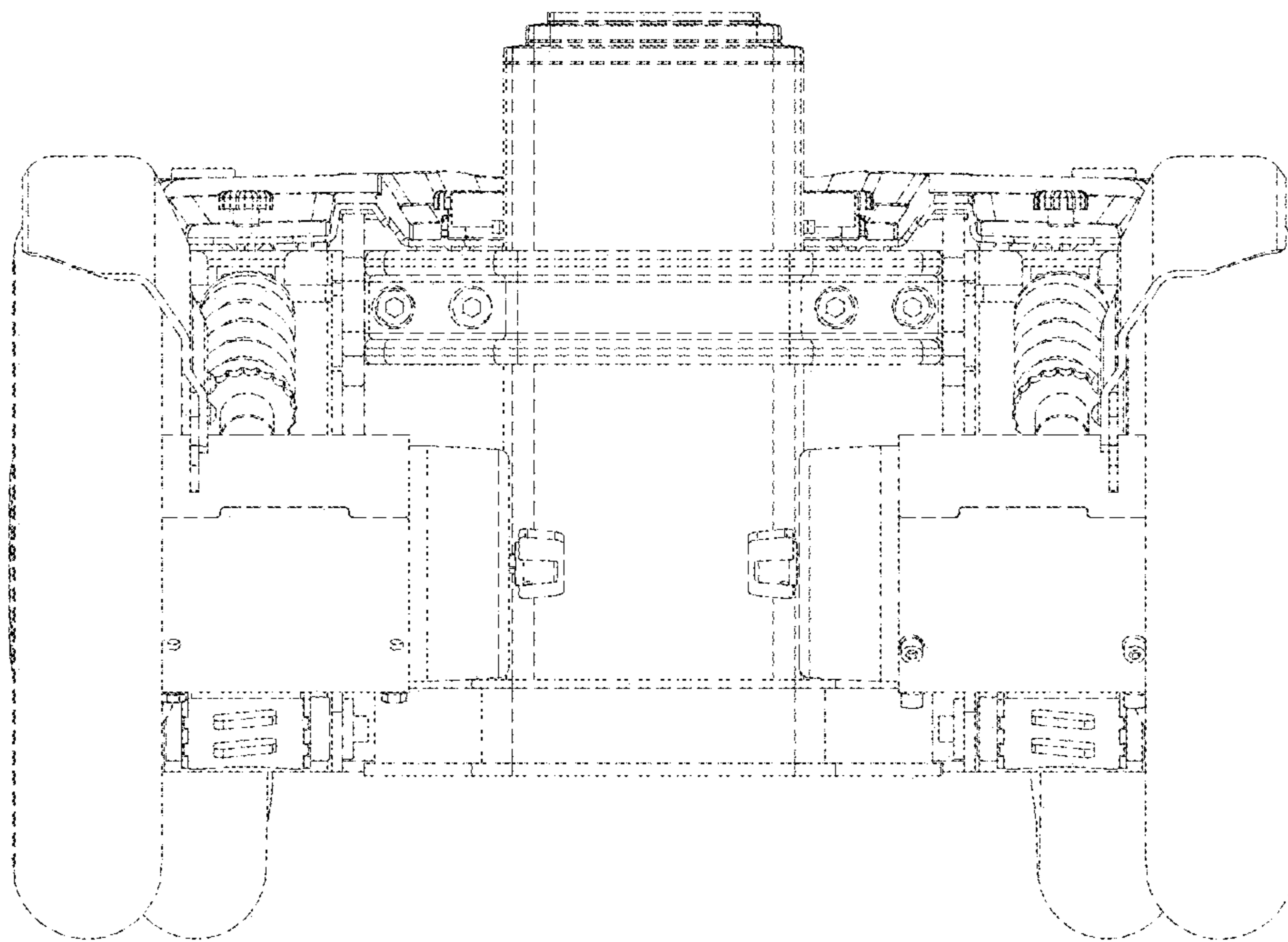


FIG. 5

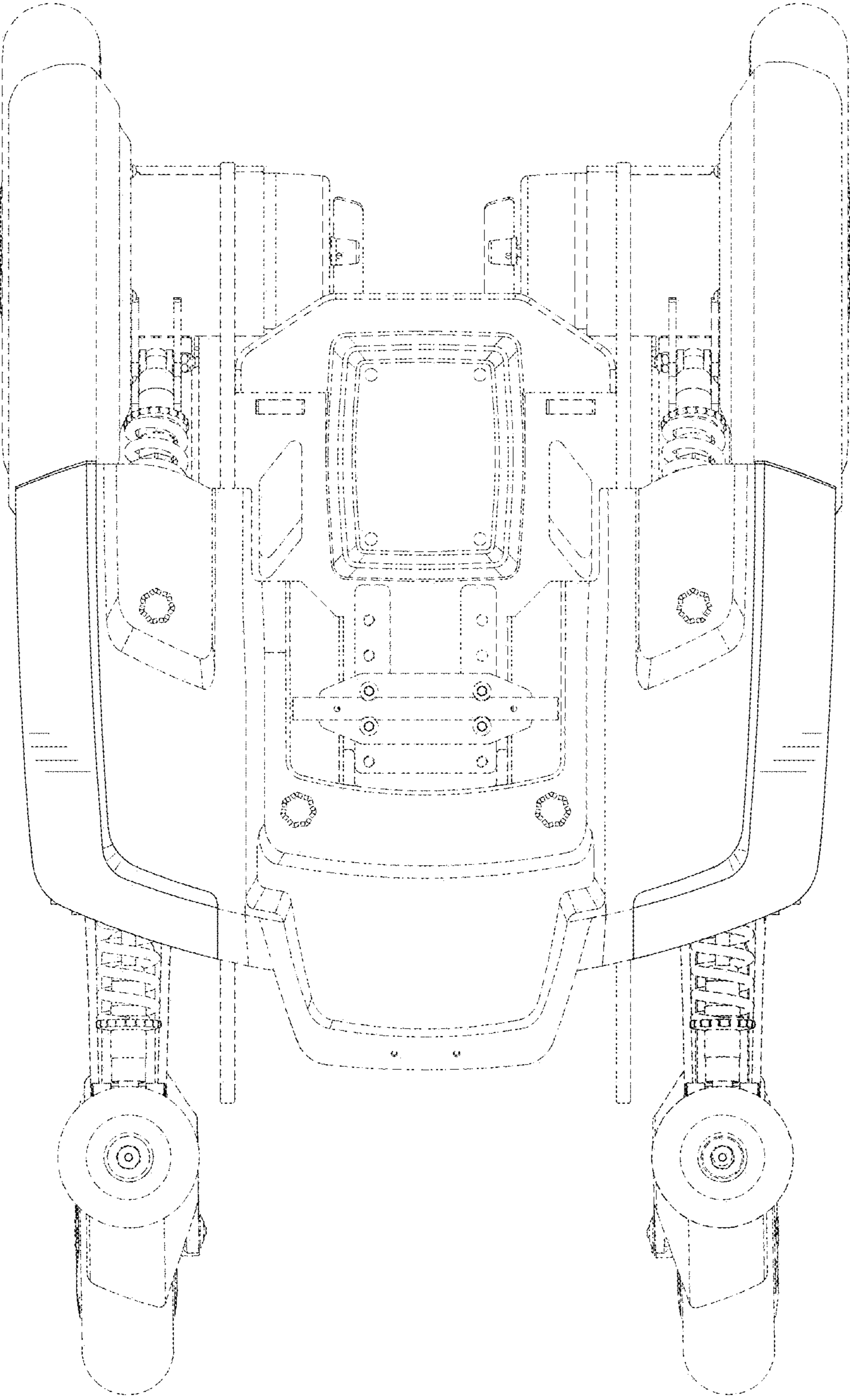


FIG. 6

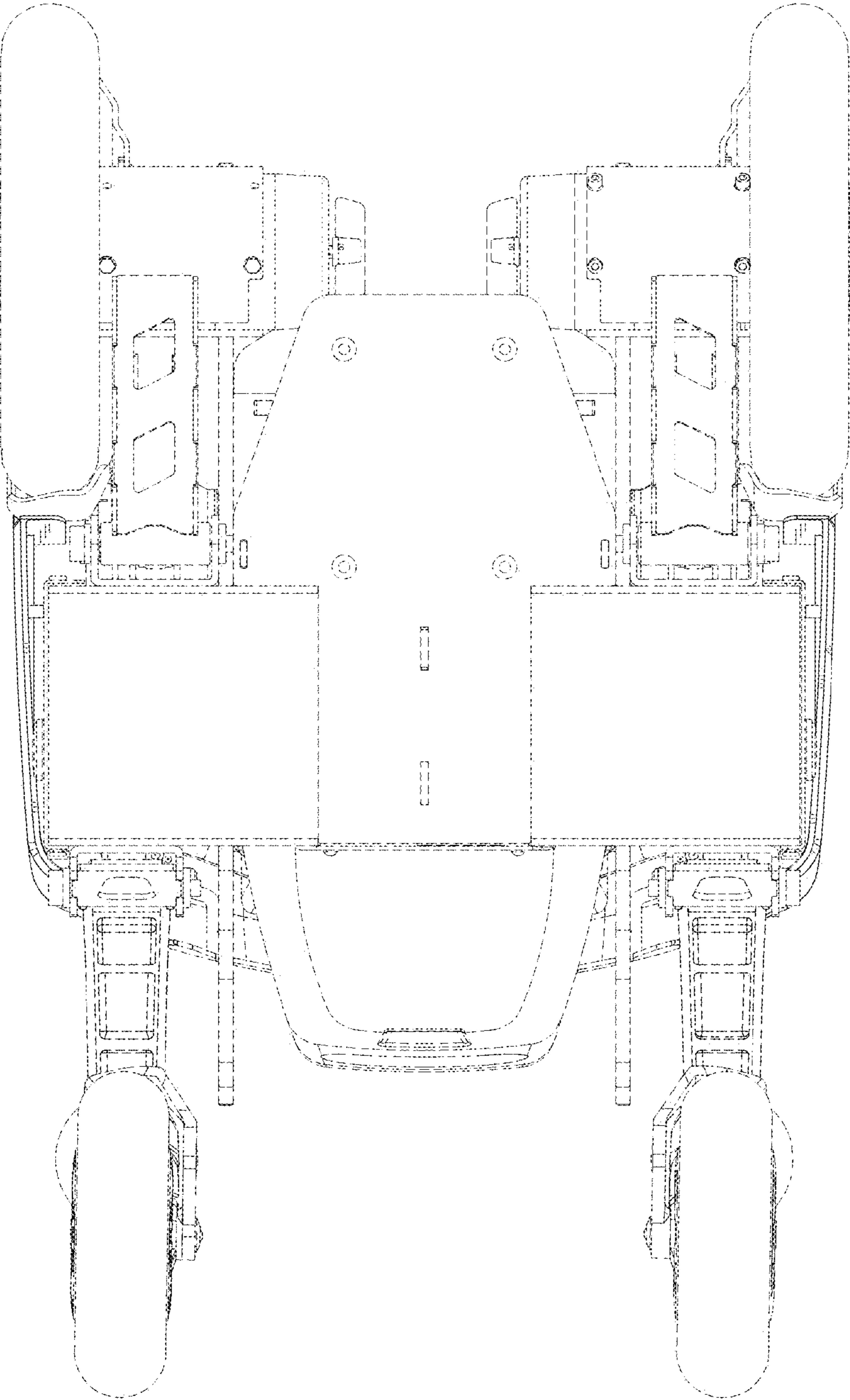


FIG. 7