



US00D745442S

(12) **United States Design Patent**  
**McCuen et al.**

(10) **Patent No.:** **US D745,442 S**

(45) **Date of Patent:** **\*\* Dec. 15, 2015**

(54) **TRANSPARENT WALKER TRAY**

(71) Applicants: **Megan McCuen**, Cincinnati, OH (US);  
**Mimi Leverone**, Cincinnati, OH (US);  
**Penny Davidson**, Sarasota, FL (US)

(72) Inventors: **Megan McCuen**, Cincinnati, OH (US);  
**Mimi Leverone**, Cincinnati, OH (US);  
**Penny Davidson**, Sarasota, FL (US)

(\*\*) Term: **14 Years**

(21) Appl. No.: **29/497,706**

(22) Filed: **Jul. 28, 2014**

(51) **LOC (10) Cl.** ..... **12-12**

(52) **U.S. Cl.**  
USPC ..... **D12/133**

(58) **Field of Classification Search**  
USPC ..... D12/130, 133; D6/406.3  
CPC ..... A61H 3/00; A61H 3/04; A61H  
2003/001–2003/007; A61H 2003/043; A61H  
2003/046  
See application file for complete search history.

(56) **References Cited**

**U.S. PATENT DOCUMENTS**

- 4,708,274 A \* 11/1987 Roche ..... A61H 3/00  
108/44
- D305,015 S \* 12/1989 Roche ..... D12/133
- 4,907,839 A \* 3/1990 Rose ..... A61H 3/00  
135/67
- 5,217,032 A \* 6/1993 Jobst ..... A61H 3/00  
135/67
- 5,273,063 A \* 12/1993 Farr ..... A61H 3/00

- D367,834 S \* 3/1996 Beavers ..... D12/133  
135/66
- D423,290 S \* 4/2000 Green ..... D6/406.1
- 6,883,529 B2 \* 4/2005 Kvaternik ..... A61H 3/00  
135/66
- 6,948,727 B1 \* 9/2005 Bakken ..... A61H 3/04  
135/67
- D545,523 S \* 6/2007 Goldberg ..... D34/11
- D575,077 S \* 8/2008 Kessels ..... D6/406.3
- 7,712,477 B2 \* 5/2010 McCarthy ..... A61H 3/04  
108/50.16
- D619,938 S \* 7/2010 McCarthy ..... D12/133

\* cited by examiner

*Primary Examiner* — Susan Bennett Hattan

*Assistant Examiner* — Charles Hanson

(74) *Attorney, Agent, or Firm* — Neal O. Willmann

(57) **CLAIM**

The ornamental design for a transparent walker tray, as shown and described.

**DESCRIPTION**

FIG. 1 is a perspective front view of a transparent walker tray showing our new design;  
 FIG. 2 is a top plan view thereof;  
 FIG. 3 is a bottom plan view thereof;  
 FIG. 4 is a back elevation view thereof;  
 FIG. 5 is a front elevation view thereof; and,  
 FIG. 6 is a right side elevation view thereof, the left side being a mirror image thereof.  
 The broken line showing of the walker in FIG. 1 is included for the purpose of illustrating environment and forms no part of the claimed design.

**1 Claim, 3 Drawing Sheets**

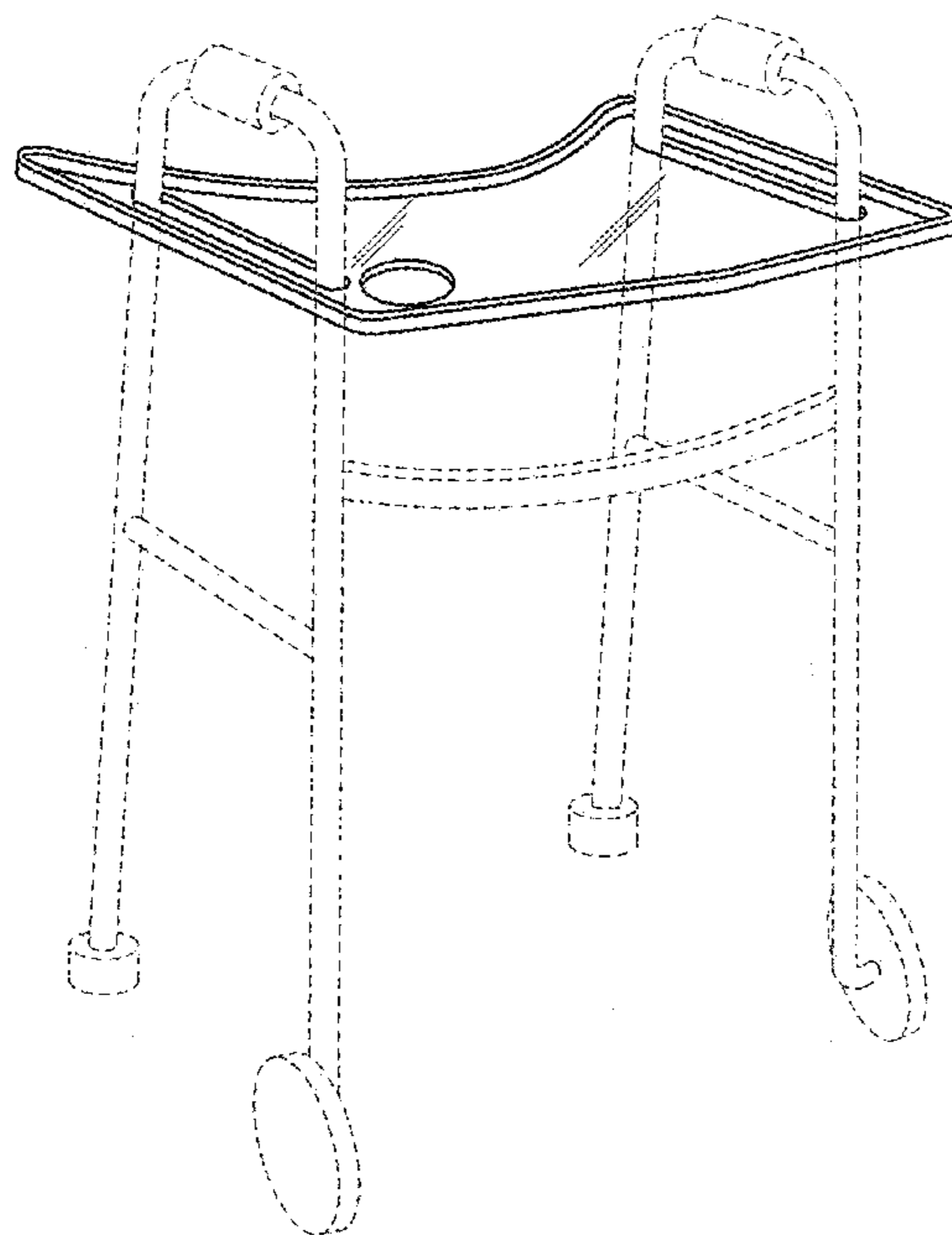


Fig. 1

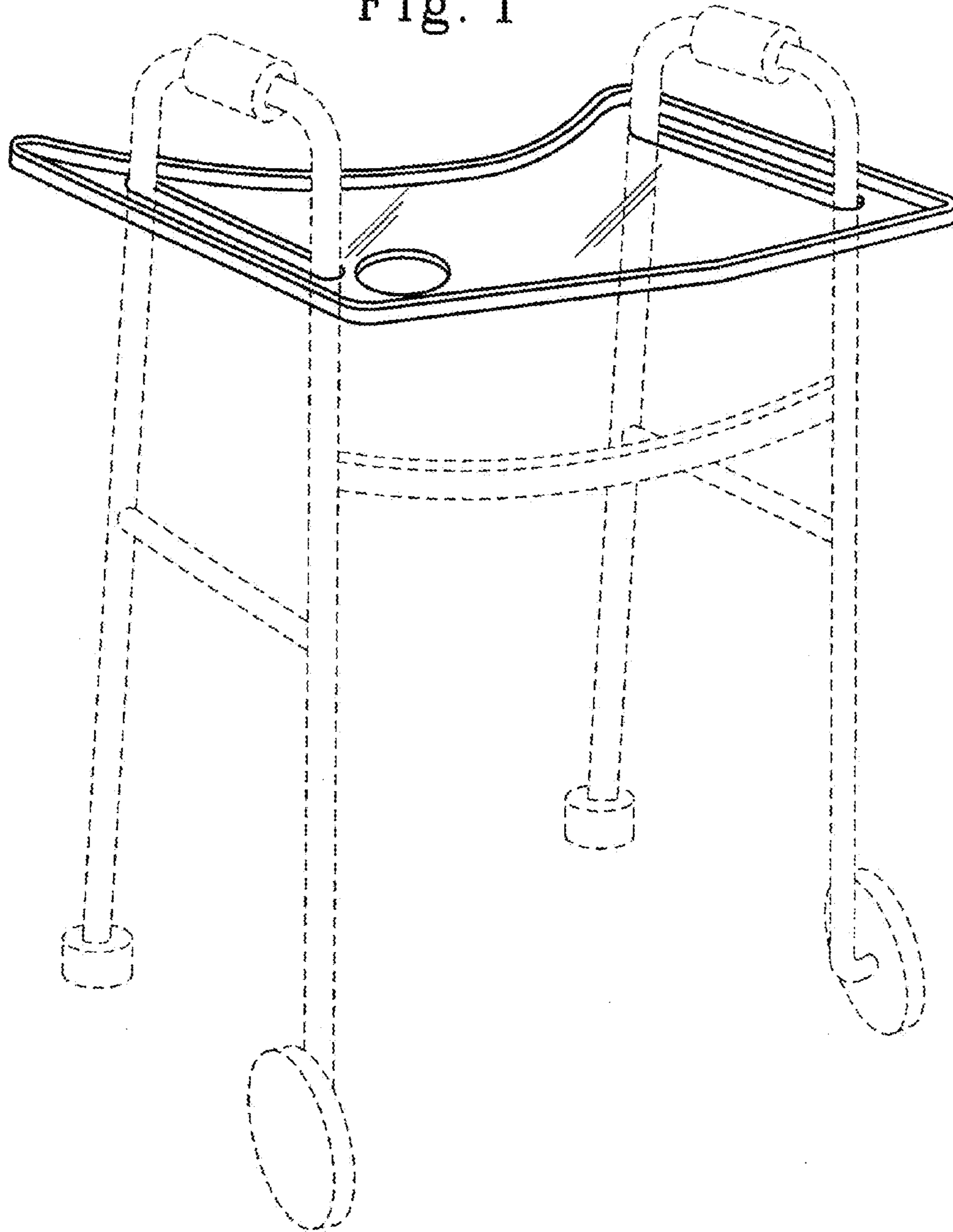


Fig. 2

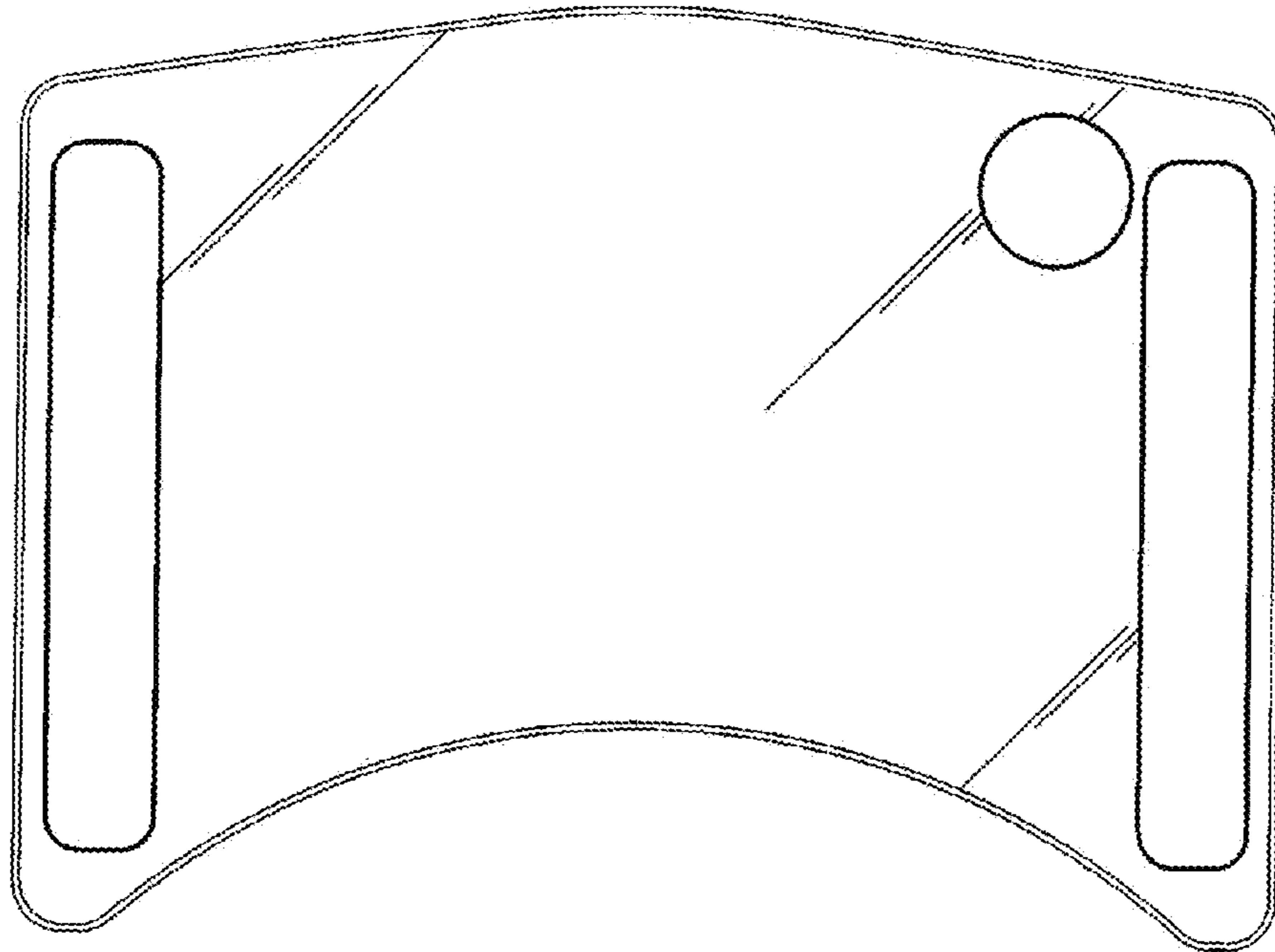


Fig. 3

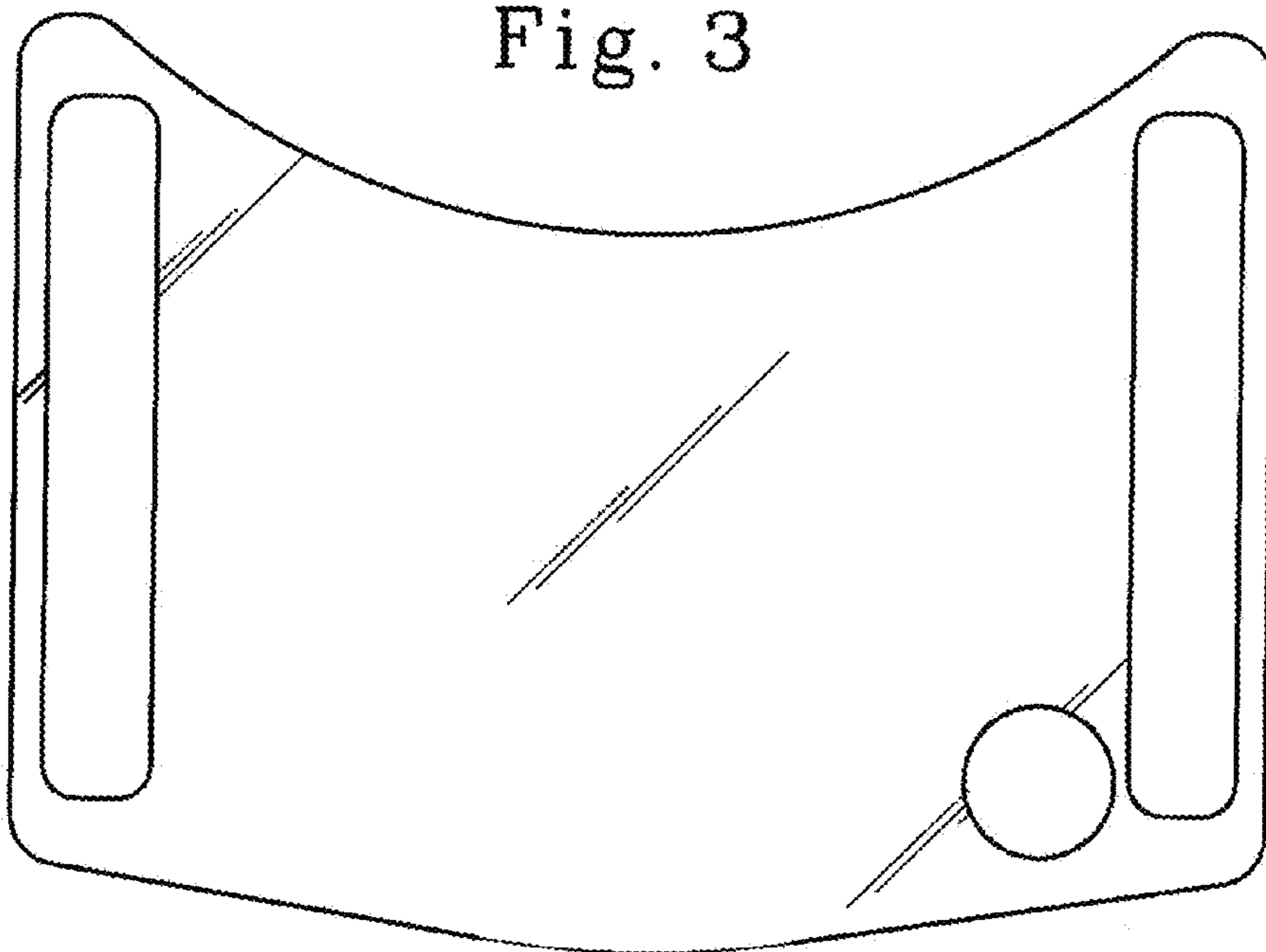


Fig. 4

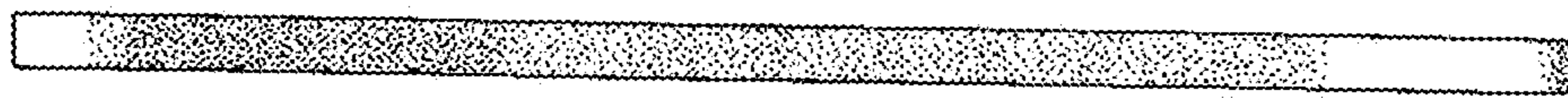


Fig. 5

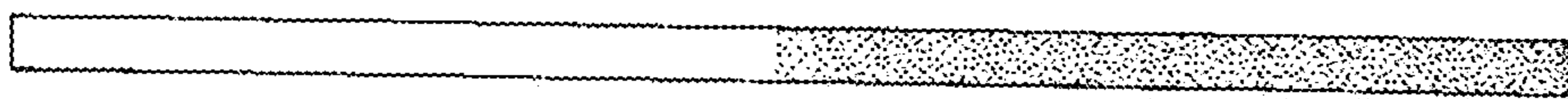


Fig. 6

