



US00D745441S

(12) **United States Design Patent**  
**Ohruh**

(10) **Patent No.:** **US D745,441 S**

(45) **Date of Patent:** **\*\* Dec. 15, 2015**

(54) **WHEELCHAIR**

(71) Applicant: **NEW LIVE**, Betschdorf (FR)

(72) Inventor: **Michel Ohruh**, Betschdorf (FR)

(73) Assignee: **NEW LIVE**

(\*\*) Term: **14 Years**

(21) Appl. No.: **29/508,319**

(22) Filed: **Nov. 5, 2014**

(30) **Foreign Application Priority Data**

May 6, 2014 (EM) ..... 002458323-001

(51) **LOC (10) Cl.** ..... **12-12**

(52) **U.S. Cl.**  
USPC ..... **D12/131**

(58) **Field of Classification Search**  
USPC ..... D12/131  
CPC ..... A61G 5/00-5/14  
See application file for complete search history.

(56) **References Cited**

**U.S. PATENT DOCUMENTS**

D397,645 S \* 9/1998 Schaffner ..... D12/131  
D413,554 S \* 9/1999 Schlangen ..... D12/131

D455,377 S \* 4/2002 Suiter ..... D12/131  
D475,952 S \* 6/2003 Nelson ..... D12/131  
D494,110 S \* 8/2004 Cheng ..... D12/131  
D604,208 S \* 11/2009 Perk ..... D12/131  
D621,307 S \* 8/2010 Kagi ..... D12/131  
D627,270 S \* 11/2010 Kretschmer ..... D12/131

\* cited by examiner

*Primary Examiner* — Susan Bennett Hattan

*Assistant Examiner* — Charles Hanson

(74) *Attorney, Agent, or Firm* — Andrew W. Chu; Craft Chu PLLC

(57) **CLAIM**

The ornamental design for a wheelchair, as shown and described.

**DESCRIPTION**

FIG. 1 is an upper perspective view of the wheelchair showing my design.

FIG. 2 is a rear perspective view thereof;

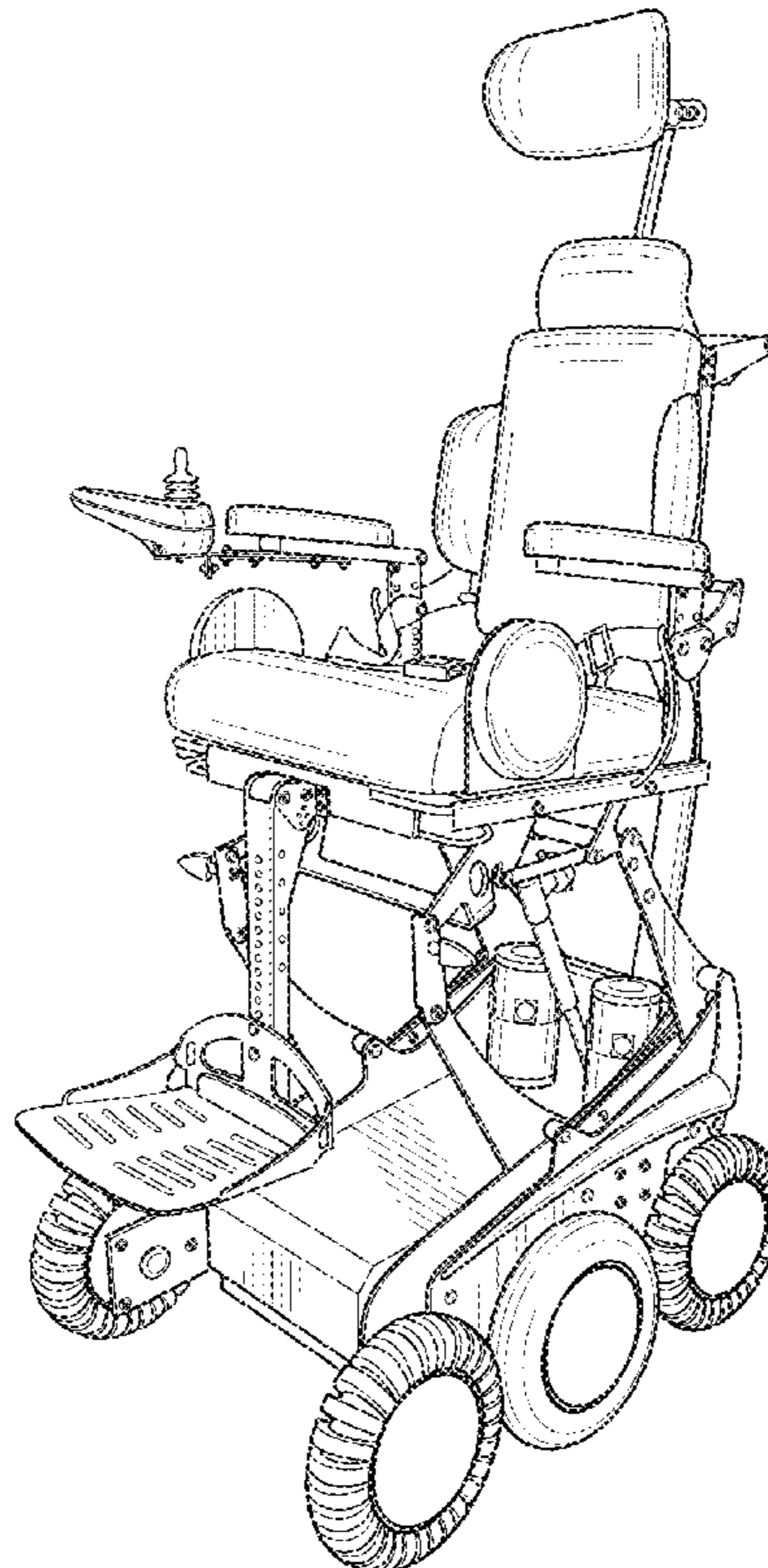
FIG. 3 is a side elevation view thereof, showing a reclined configuration;

FIG. 4 is an opposite side elevation view thereof, showing an elevated configuration;

FIG. 5 is a front elevation view thereof; and,

FIG. 6 is a back elevation view thereof.

**1 Claim, 3 Drawing Sheets**



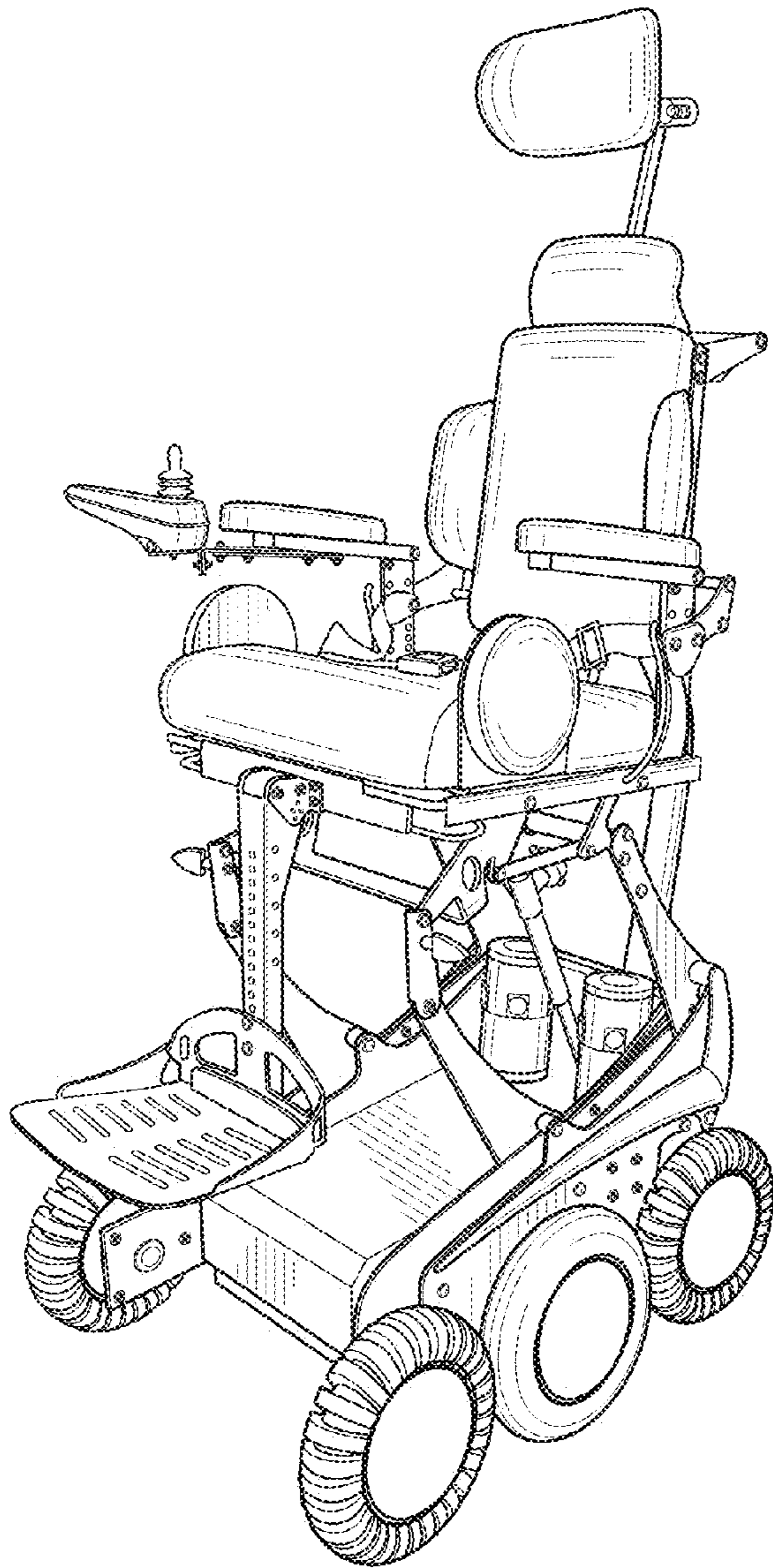


FIG. 1

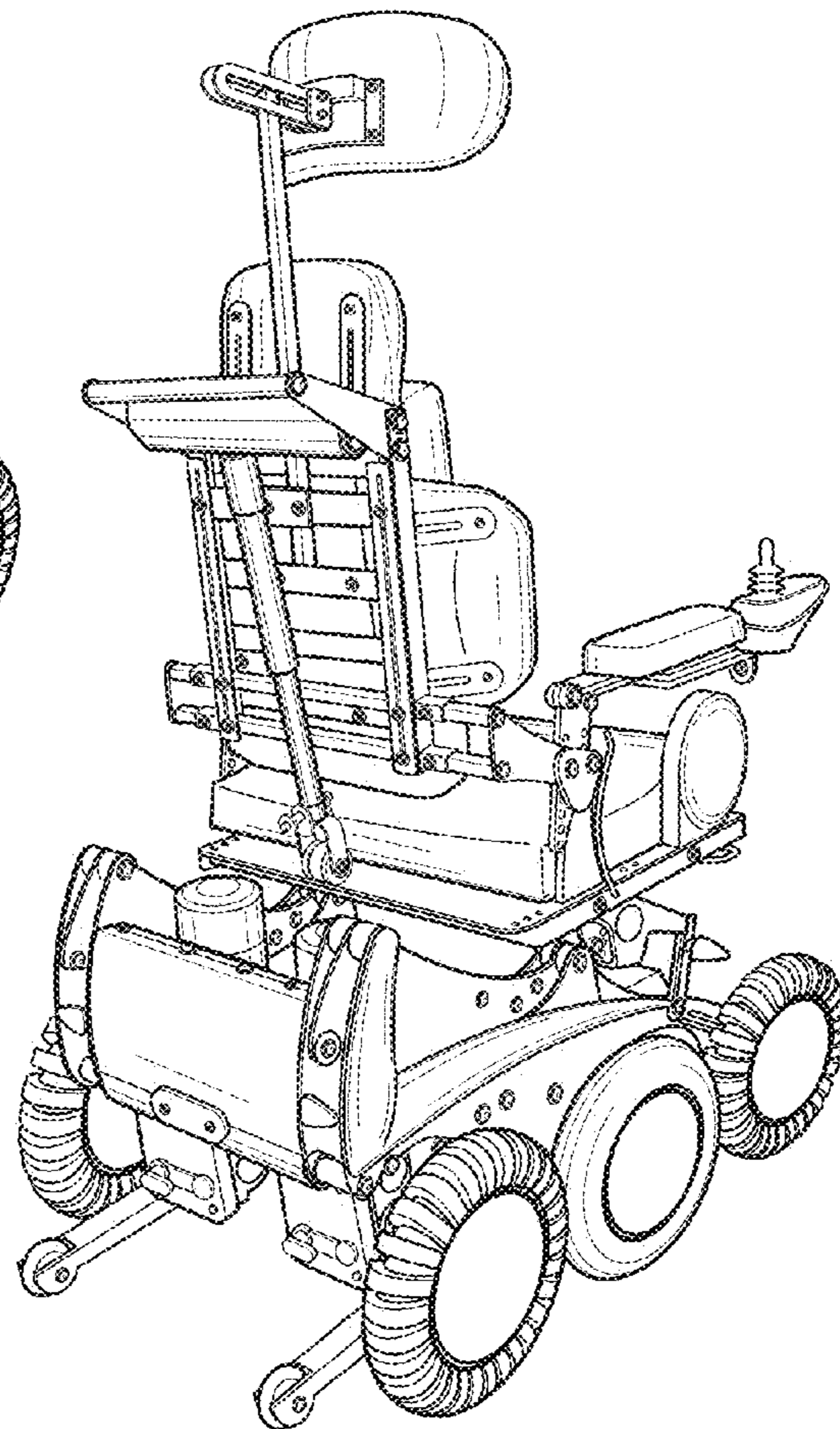


FIG. 2

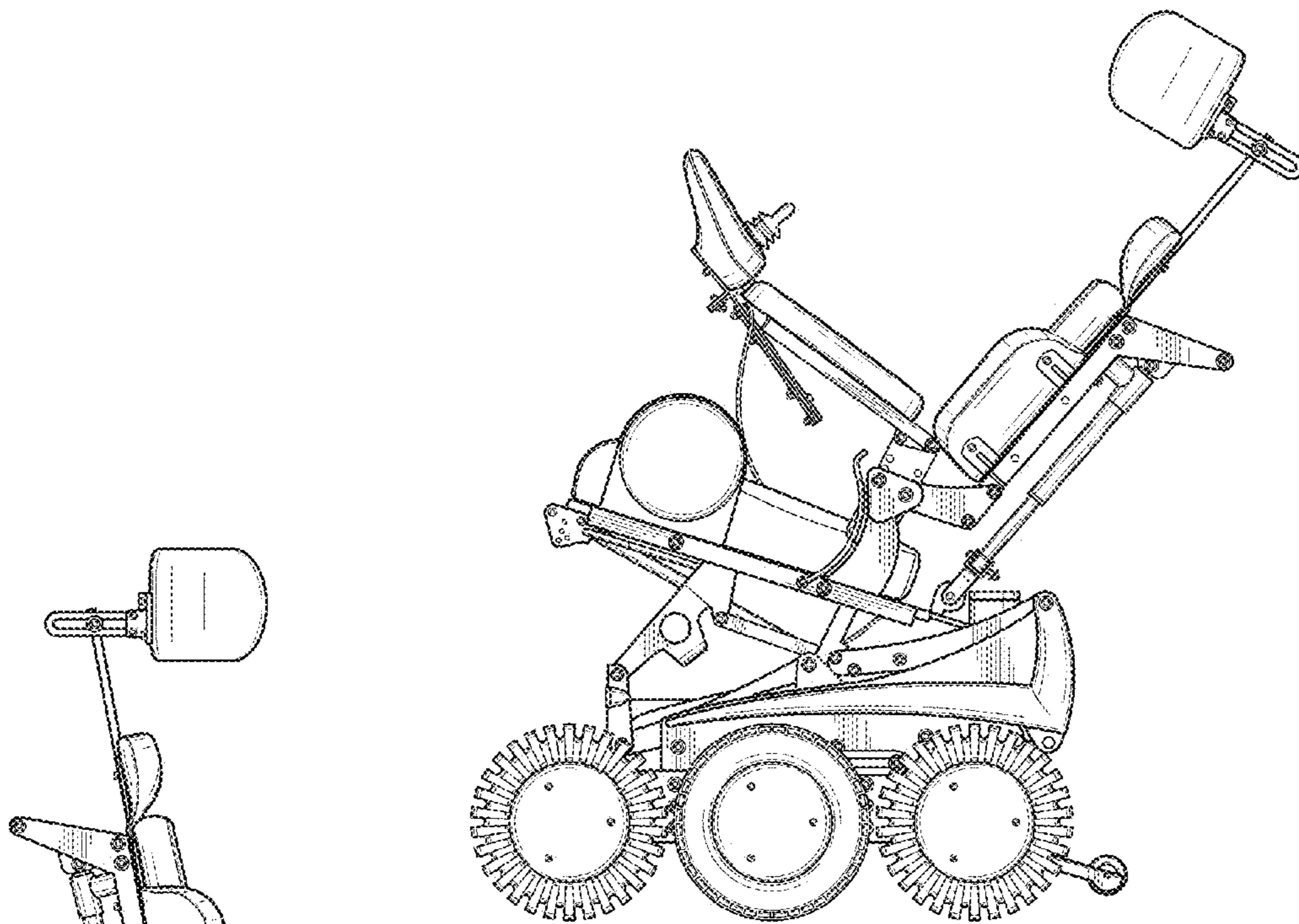


FIG. 3

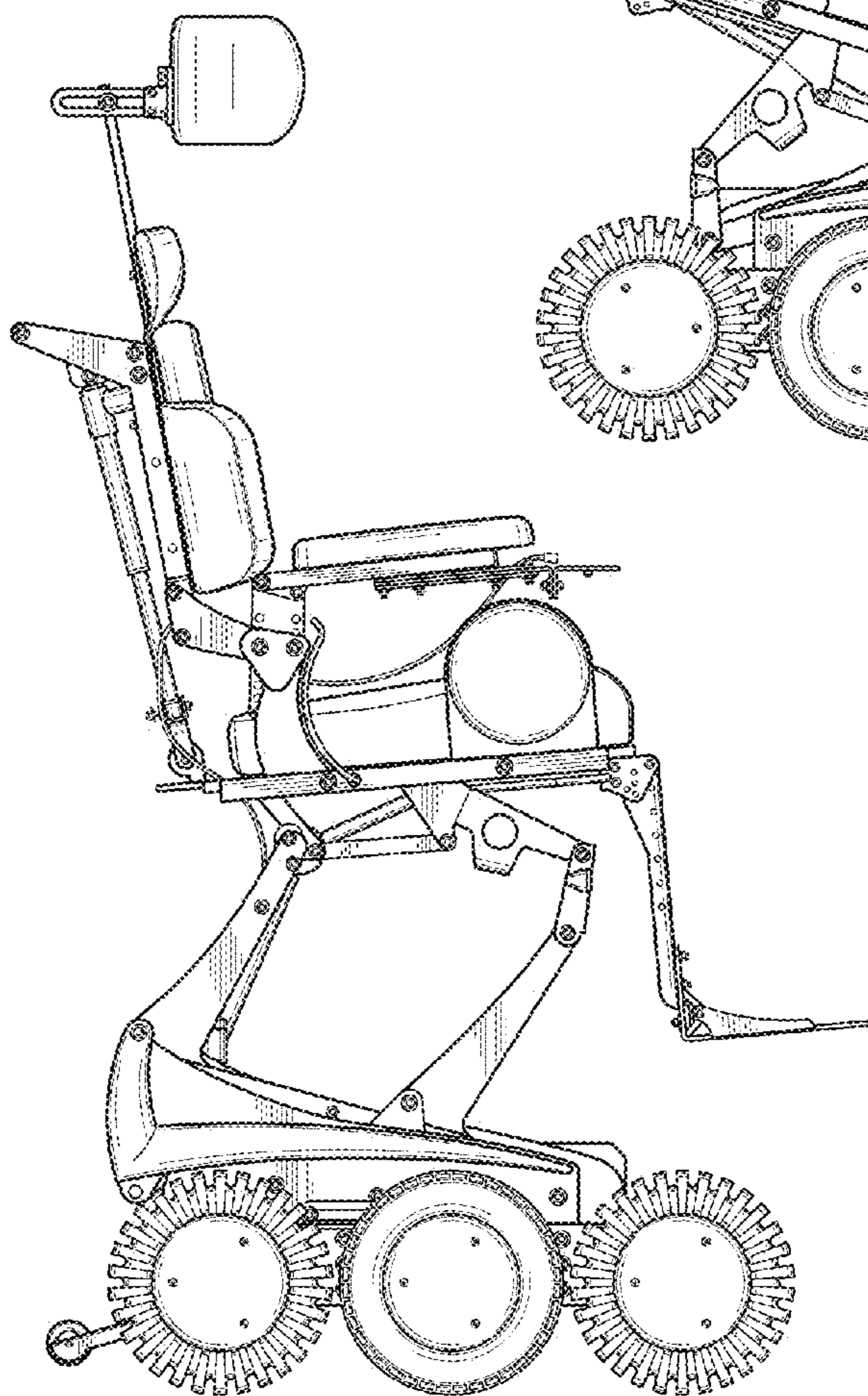


FIG. 4

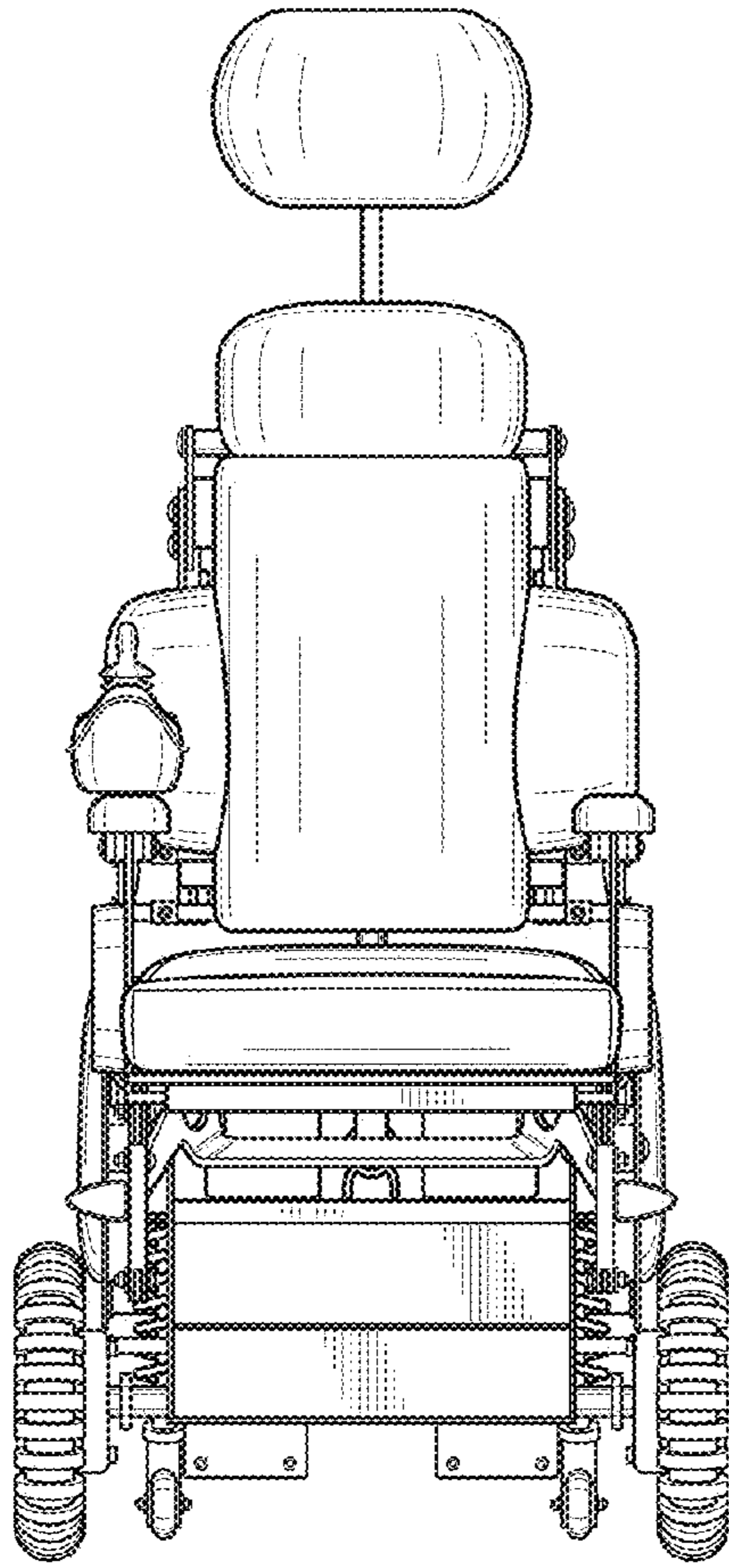


FIG. 5

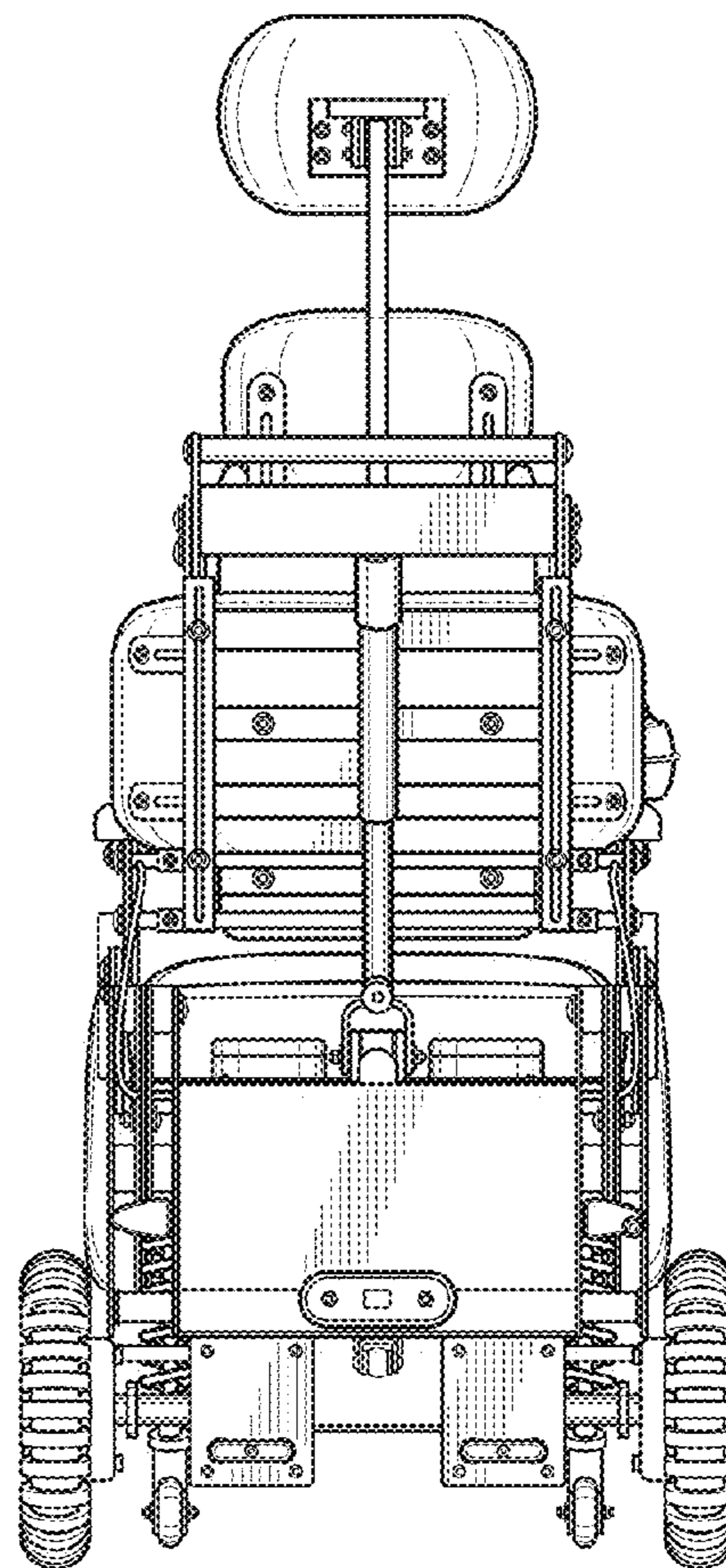


FIG. 6