



US00D745438S

(12) **United States Design Patent**  
**Rasmussen et al.**

(10) **Patent No.:** **US D745,438 S**  
(45) **Date of Patent:** **\*\* Dec. 15, 2015**

(54) **AUTOMOBILE AND/OR TOY REPLICA THEREOF**

D693,273 S \* 11/2013 Takahashi et al. .... D12/91  
D699,154 S \* 2/2014 Liu ..... D12/91  
D709,799 S \* 7/2014 Kato et al. .... D12/91  
D733,615 S \* 7/2015 Ikuma et al. .... D12/92

(71) Applicants: **Stephan Jukt Rasmussen**, Antibes (FR); **Ian Richard Cartabiano**, Torrance, CA (US); **Katsuhiko Suzuki**, Nagakute (JP)

(72) Inventors: **Stephan Jukt Rasmussen**, Antibes (FR); **Ian Richard Cartabiano**, Torrance, CA (US); **Katsuhiko Suzuki**, Nagakute (JP)

(73) Assignee: **Toyota Jidosha Kabushiki Kaisha**, Toyota-shi, Aichi-ken (JP)

(\*\*) Term: **14 Years**

(21) Appl. No.: **29/501,011**

(22) Filed: **Aug. 29, 2014**

(51) **LOC (10) Cl.** ..... **12-08**

(52) **U.S. Cl.**  
USPC ..... **D12/92**

(58) **Field of Classification Search**  
USPC ..... D12/86, 90-92; D21/421, 433, 434; 296/181.1, 181.5  
CPC ..... B62D 35/00; B62D 25/00; B62D 25/06; B62D 25/08; B62D 33/00  
See application file for complete search history.

(56) **References Cited**

**U.S. PATENT DOCUMENTS**

D680,910 S \* 4/2013 David ..... D12/92  
D683,660 S \* 6/2013 Sugiura et al. .... D12/92

**OTHER PUBLICATIONS**

Netcarshow.com, URL: [http://www.netcarshow.com/renault/2014/1024x768/wallpaper\\_04.htm](http://www.netcarshow.com/renault/2014/1024x768/wallpaper_04.htm); Model: Renault Captur; Mfg.: Renault, available on at least Jun. 27, 2014.  
Netcarshow.com; URL: [http://www.netcarshow.com/honda/2012-civic\\_eu-version/1024x768/wallpaper\\_45.htm](http://www.netcarshow.com/honda/2012-civic_eu-version/1024x768/wallpaper_45.htm); Model: Honda Civic EU Ver.; Mfg.: Honda, available on at least Jun. 27, 2014.

\* cited by examiner

*Primary Examiner* — Melody N Brown

(74) *Attorney, Agent, or Firm* — Finnegan, Henderson, Farabow, Garrett & Dunner, L.L.P.

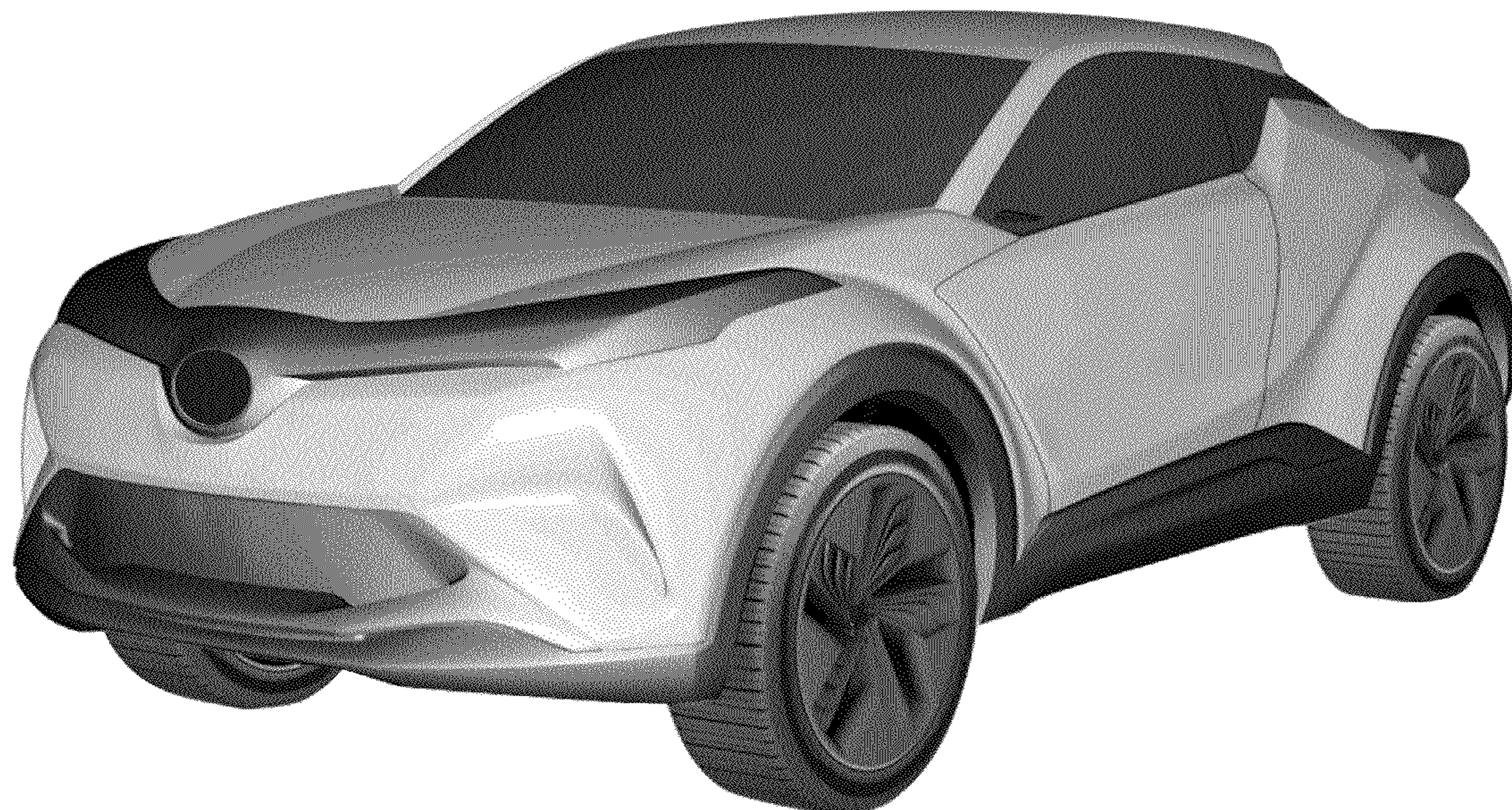
(57) **CLAIM**

The ornamental design for an automobile and/or toy replica thereof, as shown and described.

**DESCRIPTION**

FIG. 1 is a front perspective view of an automobile and/or toy replica thereof showing our new design; FIG. 2 is a rear perspective view thereof; FIG. 3 is a front view thereof; FIG. 4 is a rear view thereof; FIG. 5 is a left side elevation view thereof, the right side elevation view being a mirror image thereof; and, FIG. 6 is a top plan view thereof.  
The bottom view forms no part of the claimed design.

**1 Claim, 6 Drawing Sheets**

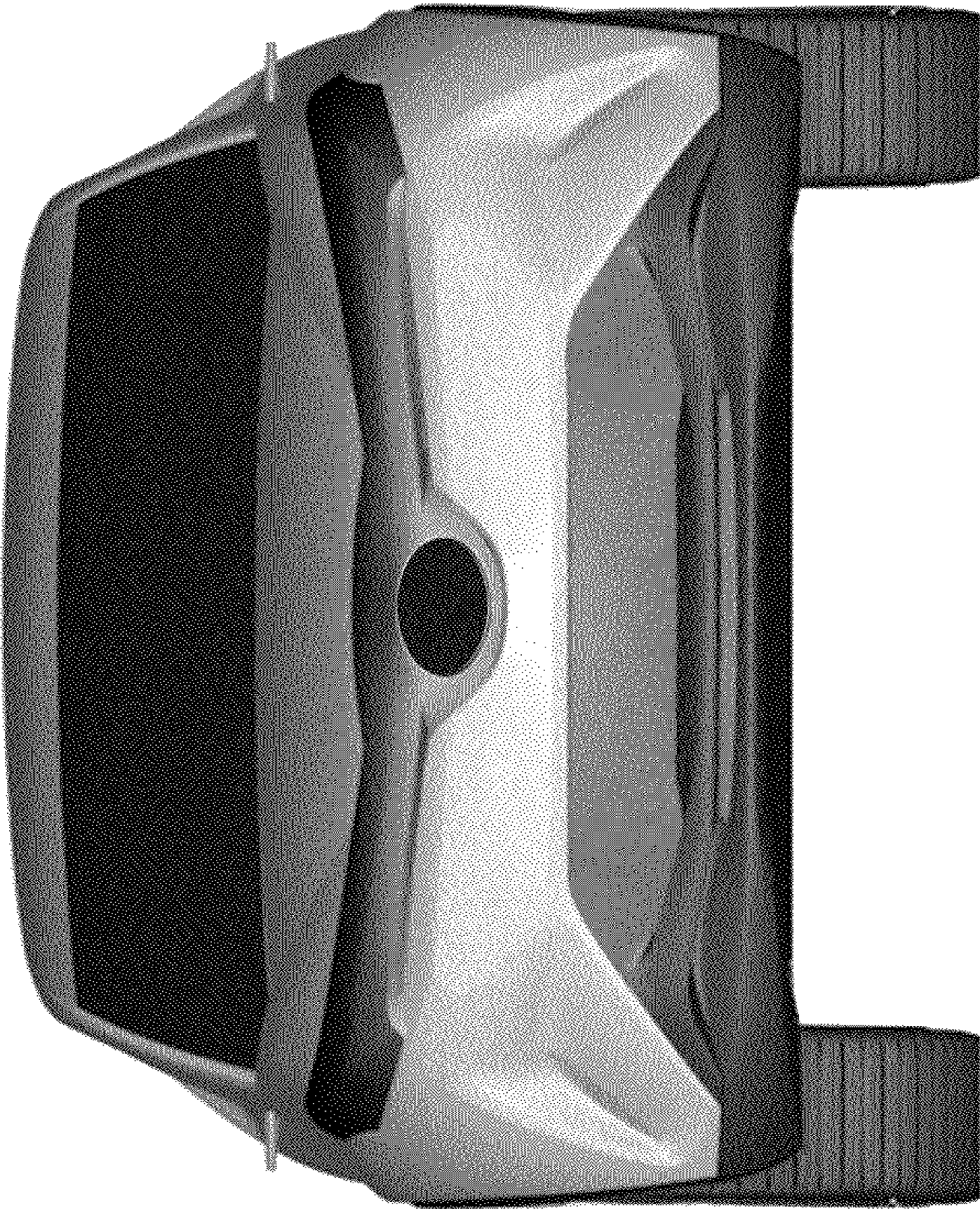




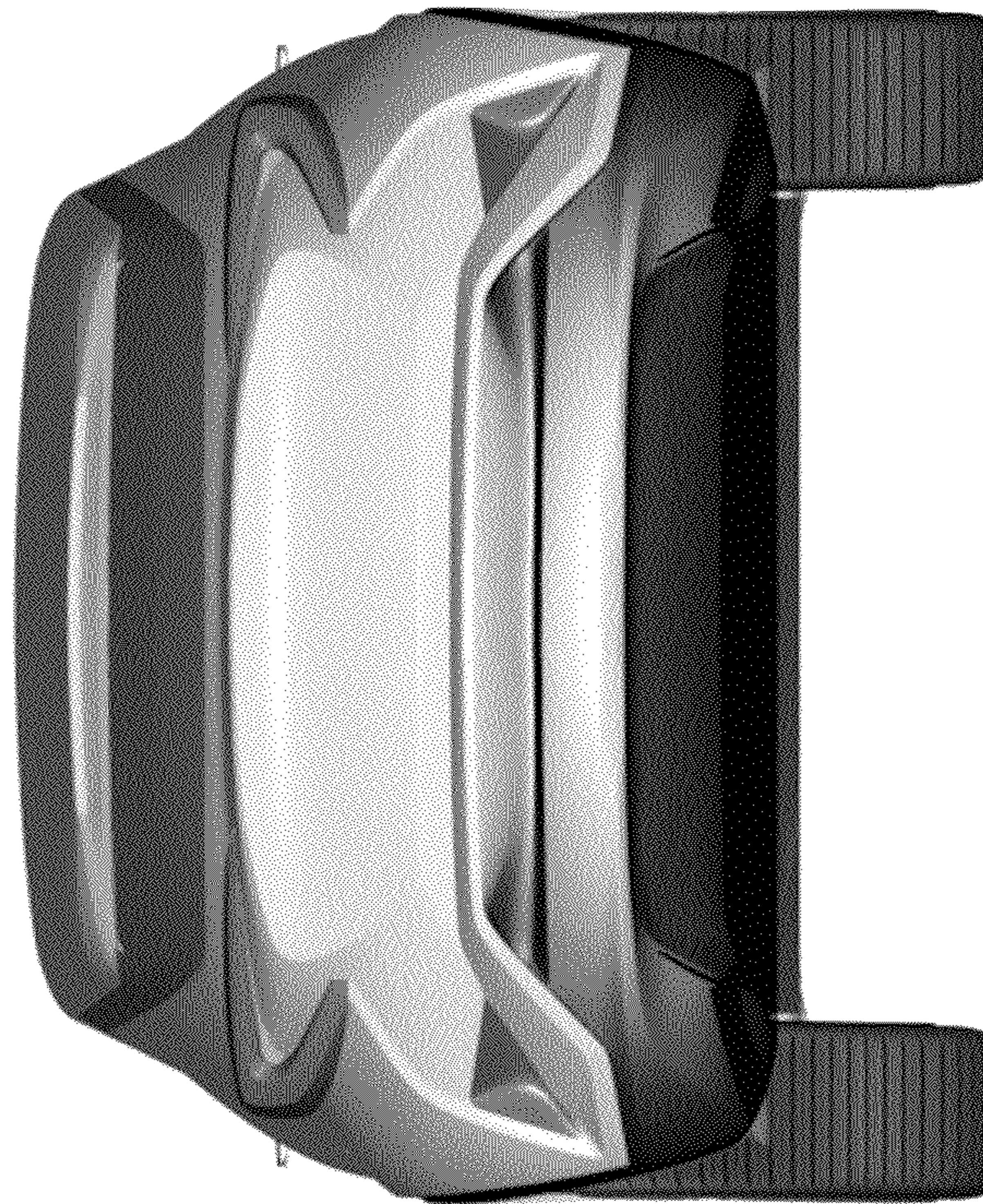
**FIG. 1**



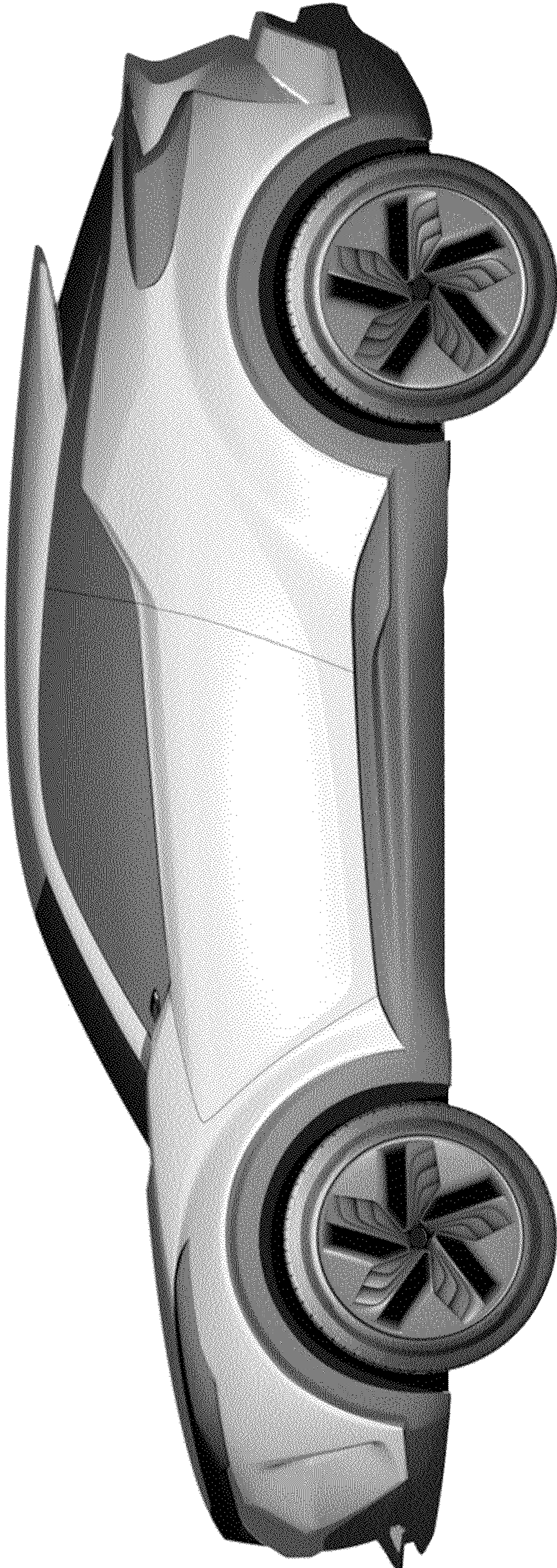
**FIG. 2**



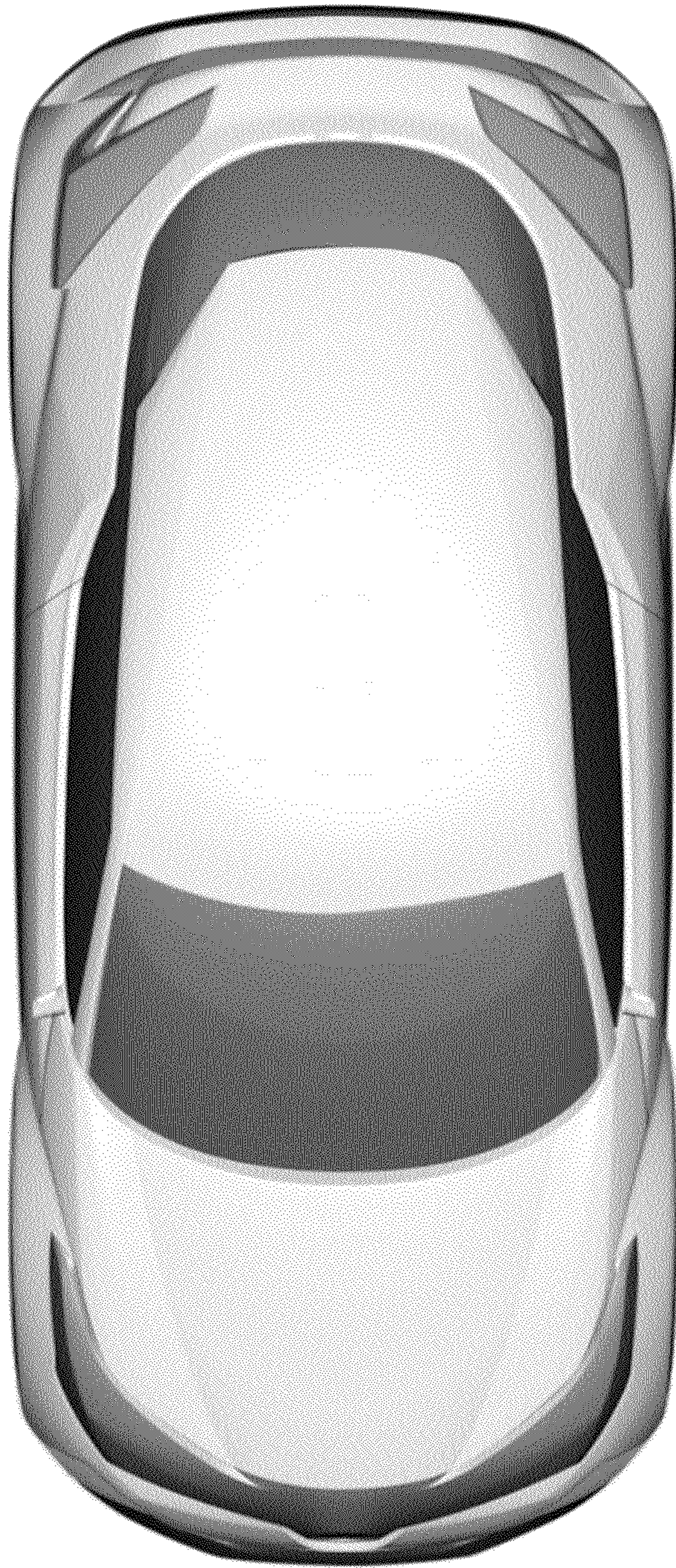
**FIG. 3**



**FIG. 4**



**FIG. 5**



**FIG. 6**