



US00D745436S

(12) **United States Design Patent**
Gong et al.

(10) **Patent No.:** **US D745,436 S**

(45) **Date of Patent:** **** Dec. 15, 2015**

(54) **VEHICLE**

(71) Applicant: **SHENZHEN ZHILUN DRIVING TECHNOLOGY FOR ELECTRIC VEHICLE CO., LTD**, Shenzhen (CN)

(72) Inventors: **Shugang Gong**, Shenzhen (CN); **Xingyin Wu**, Shenzhen (CN); **Wen Zhang**, Shenzhen (CN); **Shaobo Wu**, Shenzhen (CN); **Shaorong Lin**, Shenzhen (CN)

(73) Assignee: **SHENZHEN ZHILUN DRIVING TECHNOLOGY FOR ELECTRIC VEHICLE CO., LTD**, Shenzhen (CN)

(**) Term: **14 Years**

(21) Appl. No.: **29/493,751**

(22) Filed: **Jun. 12, 2014**

(30) **Foreign Application Priority Data**

Dec. 13, 2013 (CN) 2013 3 0621937

(51) **LOC (10) Cl.** **12-08**

(52) **U.S. Cl.**
USPC **D12/82; D12/1**

(58) **Field of Classification Search**
USPC D12/82, 1, 14, 16, 86; D21/421, 433, D21/434, 803; 180/233, 908; 280/DIG. 5, 280/28, 37.7

CPC B62D 35/00; B62D 25/00; B62D 25/06; B62D 33/00; B62D 1/00

See application file for complete search history.

(56) **References Cited**

U.S. PATENT DOCUMENTS

D421,411	S	*	3/2000	Molzon et al.	D12/82
D425,445	S	*	5/2000	Molzon et al.	D12/1
D442,118	S	*	5/2001	Molzon et al.	D12/1
D483,694	S	*	12/2003	Bellington	D12/16
D483,695	S	*	12/2003	Bellington	D12/16
D497,121	S	*	10/2004	Pettipas	D12/82
D579,381	S	*	10/2008	Bobbitt et al.	D12/14

* cited by examiner

Primary Examiner — Melody N Brown

(74) *Attorney, Agent, or Firm* — Hamre, Schumann, Mueller & Larson, P.C.

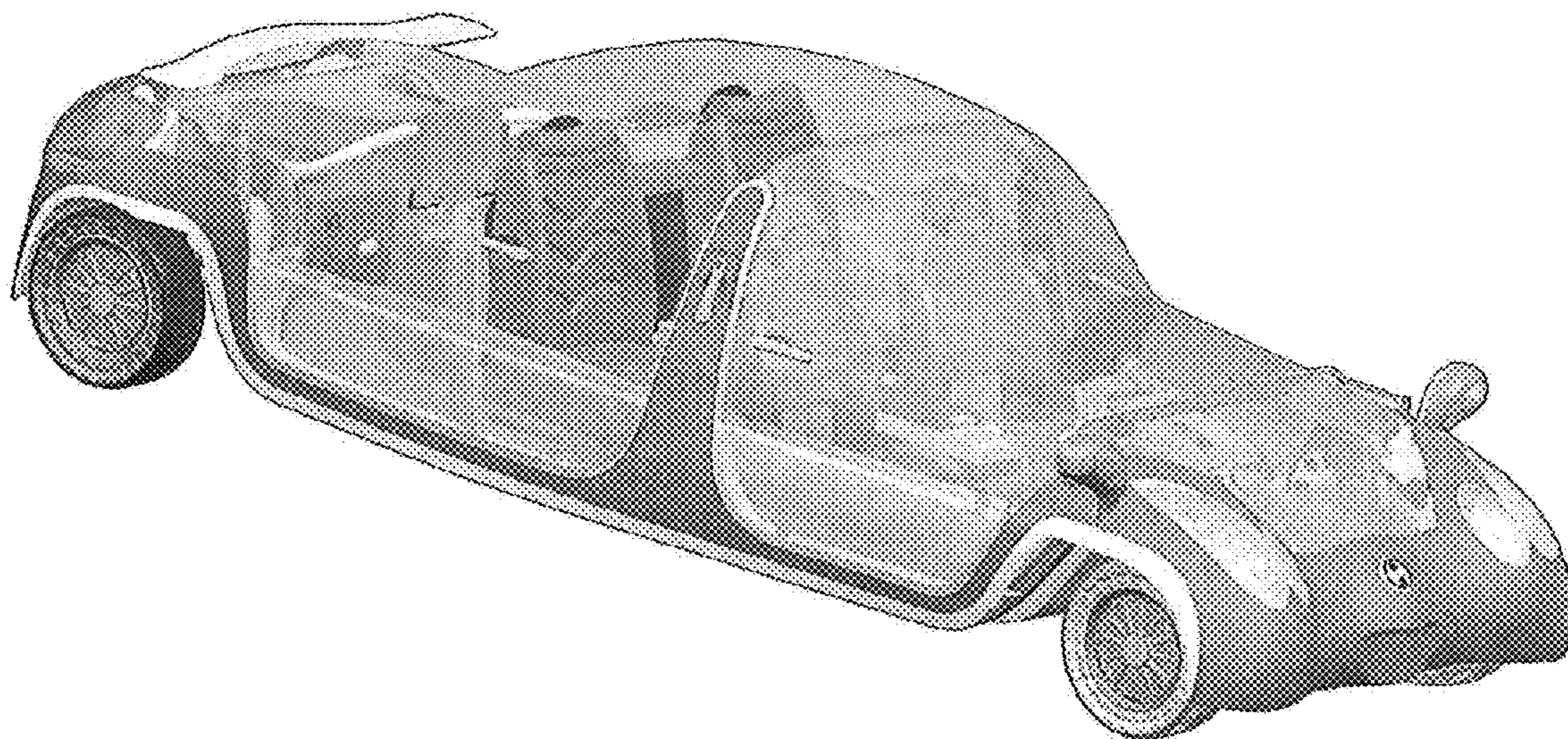
(57) **CLAIM**

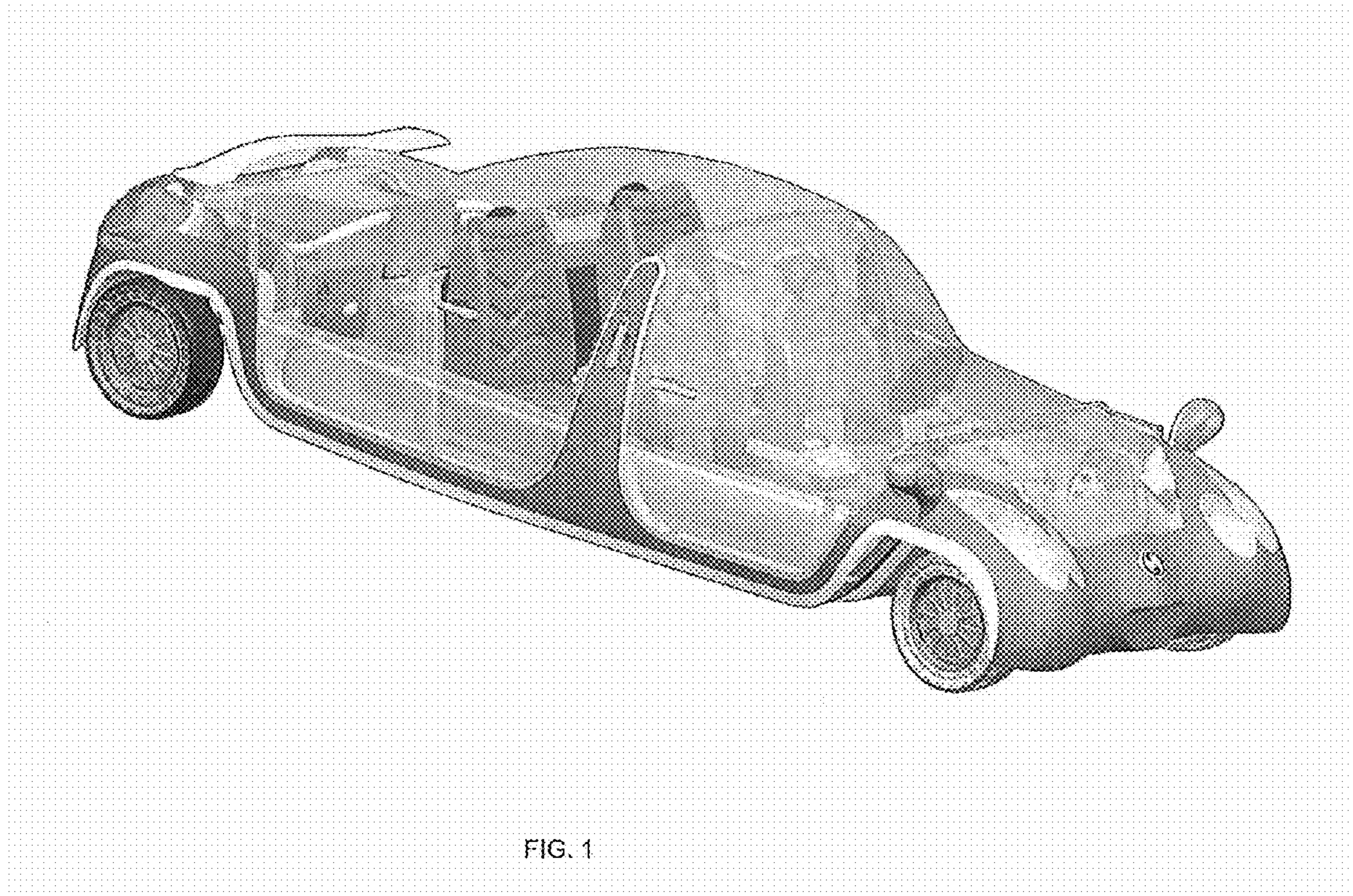
The ornamental design for a “vehicle,” as shown and described.

DESCRIPTION

FIG. 1 is a perspective view of the vehicle;
FIG. 2 is a front view of the vehicle;
FIG. 3 is a rear view of the vehicle;
FIG. 4 is a left side view of the vehicle;
FIG. 5 is a right side view of the vehicle;
FIG. 6 is a top view of the vehicle;
FIG. 7 is a bottom view of the vehicle; and,
FIG. 8 is a another perspective view with the front and rear glass body tops in open and raised position.

1 Claim, 4 Drawing Sheets





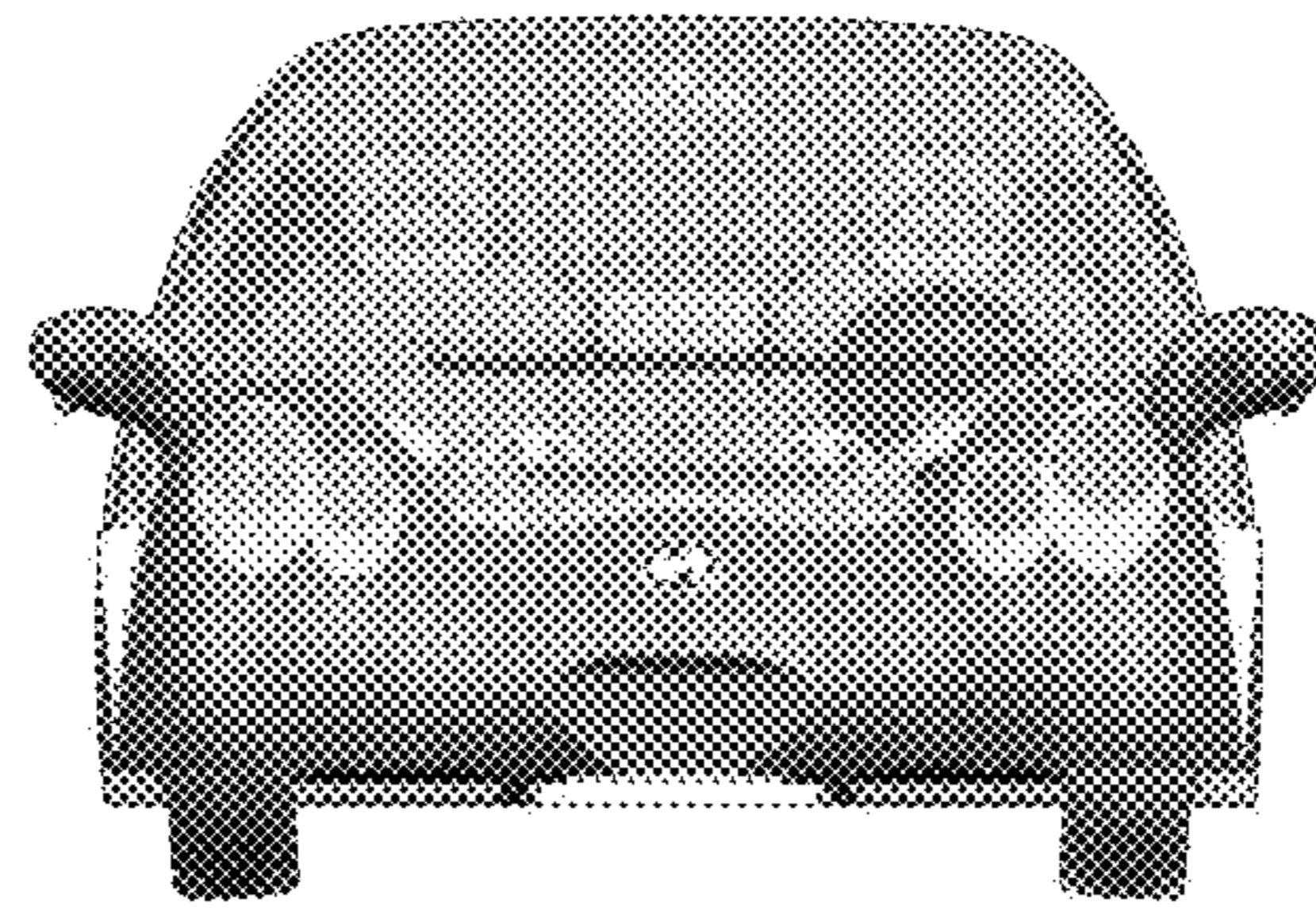


FIG. 2

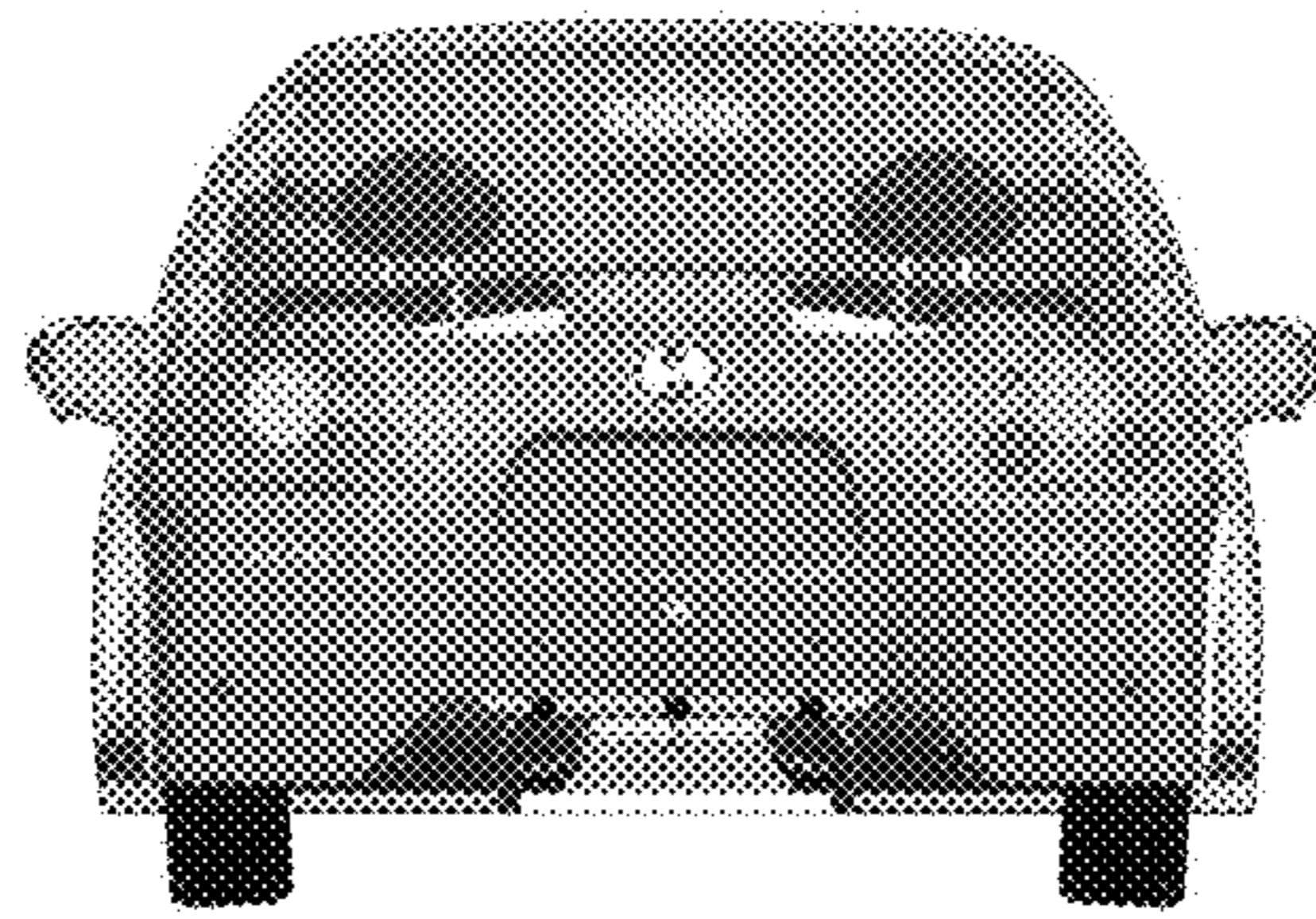


FIG. 3

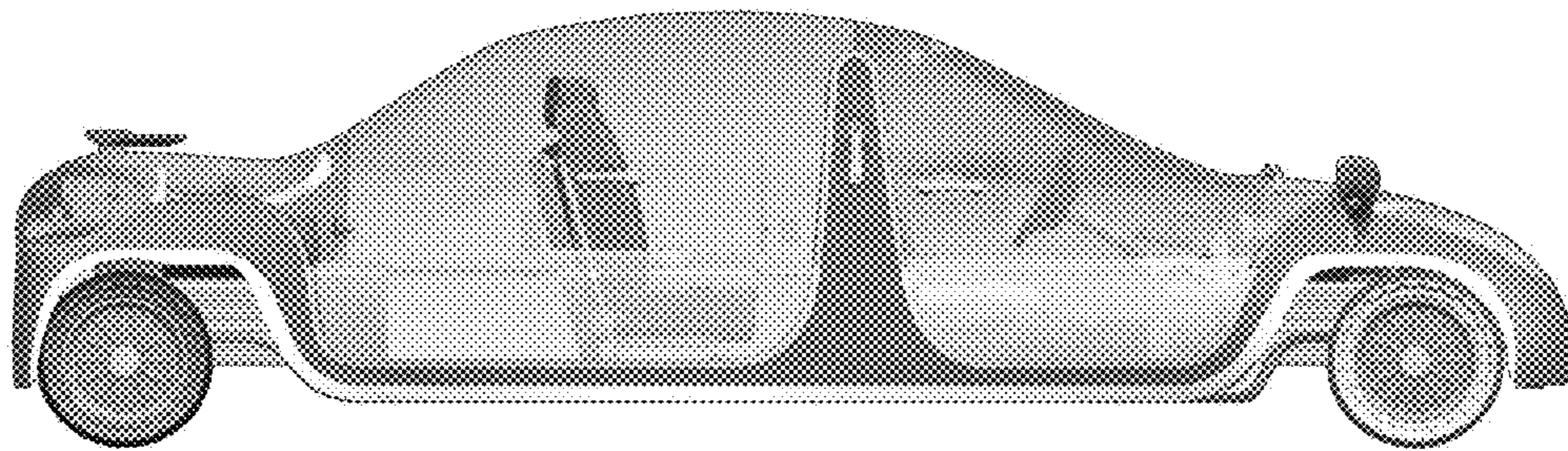


FIG. 4

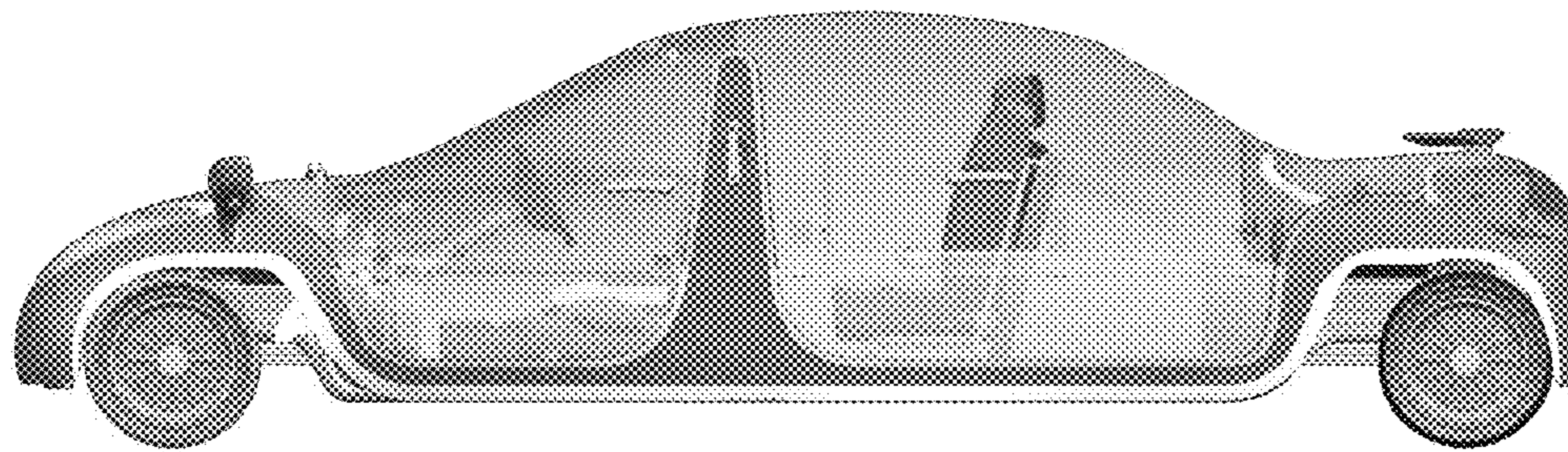


FIG. 5

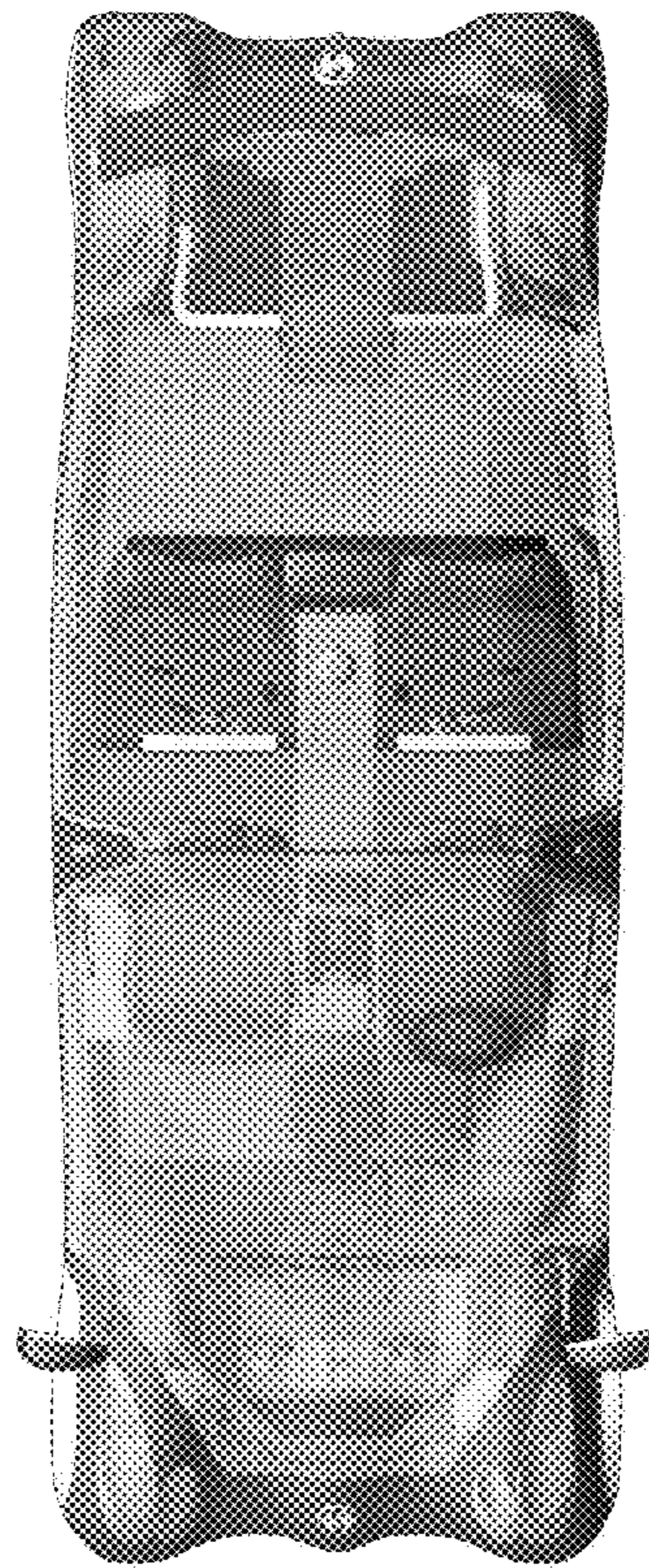


FIG. 6

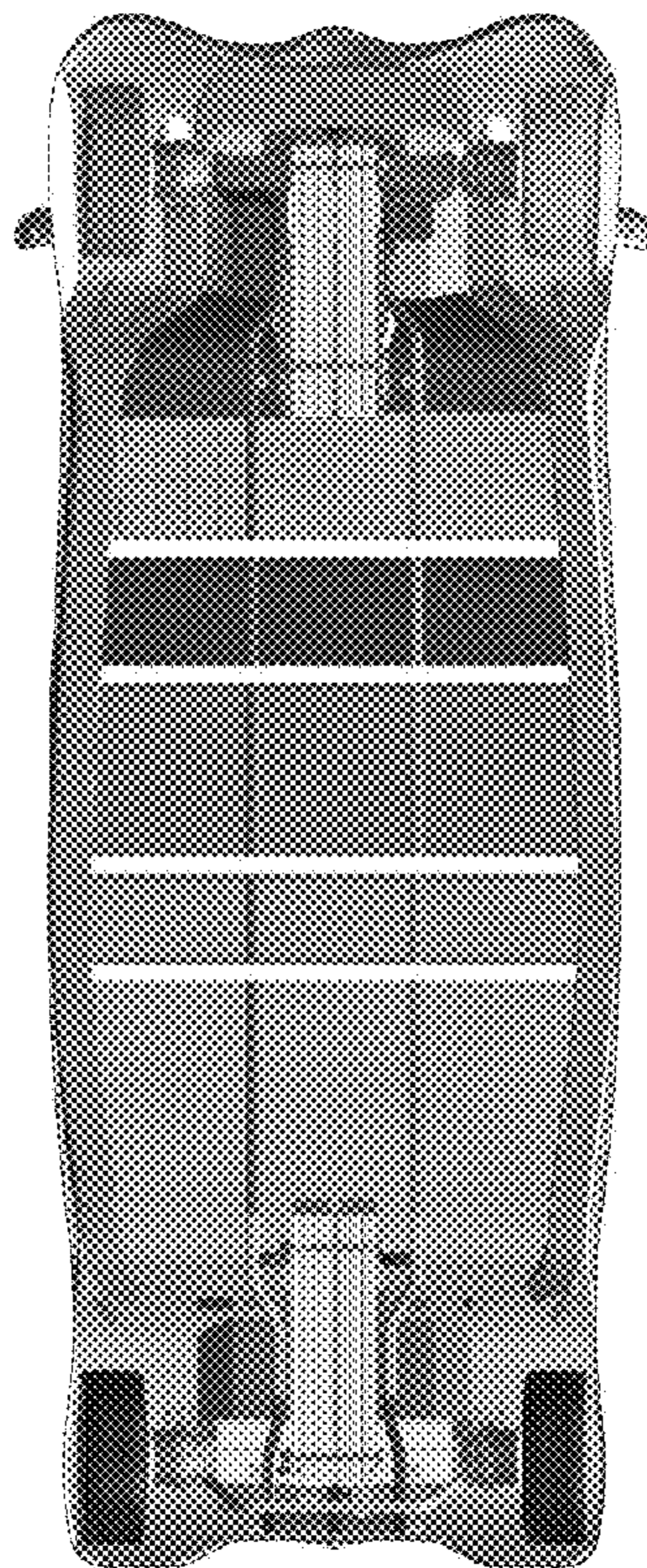


FIG. 7

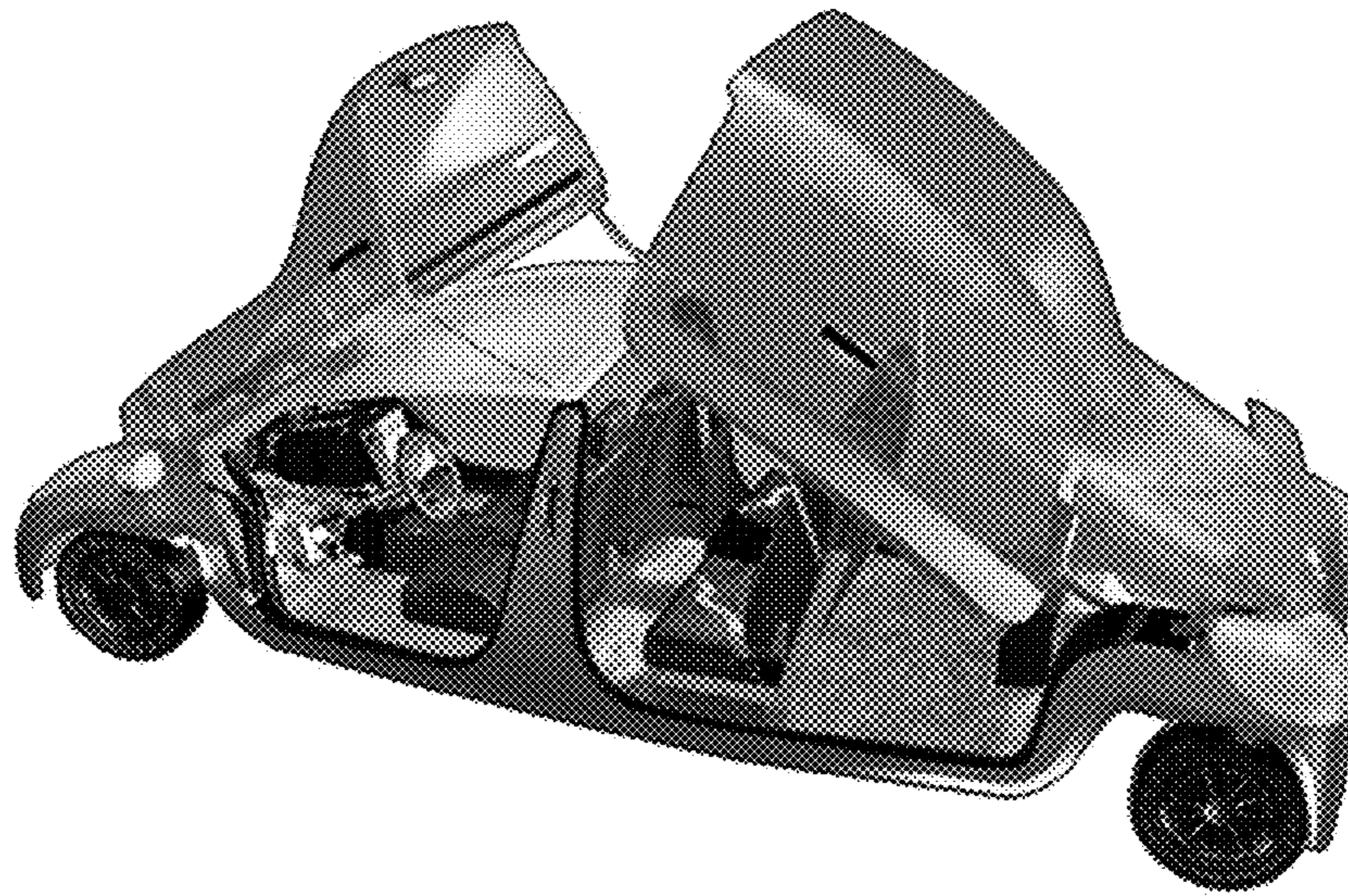


FIG. 8