



US00D745435S

(12) **United States Design Patent**
Park et al.

(10) **Patent No.:** **US D745,435 S**

(45) **Date of Patent:** **** Dec. 15, 2015**

(54) **UNMANNED AERIAL VEHICLE**
(71) Applicant: **HANWHA TECHWIN CO., LTD.,**
Changwon-Si (KR)
(72) Inventors: **Hojin Park,** Changwon-si (KR);
Jooyoung Shin, Changwon-si (KR)
(73) Assignee: **Hanwha Techwin Co., Ltd.,**
Changwon-si (KR)

D708,272 S * 7/2014 Schmelter D21/441
D710,454 S 8/2014 Barajas et al.
8,967,029 B1 * 3/2015 Calvert 89/1.11
2012/0241555 A1 * 9/2012 Savoye et al. 244/54
2014/0374532 A1 * 12/2014 Duffy et al. 244/2
2015/0129711 A1 * 5/2015 Caubel 244/17.23

(**) Term: **14 Years**
(21) Appl. No.: **29/509,797**
(22) Filed: **Nov. 21, 2014**

FOREIGN PATENT DOCUMENTS

KR 30-0710555 S 10/2013
KR 30-0742156 S 5/2014
KR 10-1407722 B1 6/2014

(30) **Foreign Application Priority Data**
Oct. 17, 2014 (KR) 30-2014-0050060
(51) **LOC (10) Cl.** **12-07**
(52) **U.S. Cl.**
USPC **D12/16.1; D21/441; D12/326**
(58) **Field of Classification Search**
USPC D12/16.1, 19, 322, 323, 326, 327, 328,
D12/329, 330, 339, 341, 342, 343, 344;
D21/436, 438, 439, 440, 441, 446, 447,
D21/448, 449, 450, 453
CPC B64C 39/00; B64C 30/00; B64C 29/00;
B64C 5/06
See application file for complete search history.

OTHER PUBLICATIONS

Samsung Selfie Drone. dated Jul. 28, 2015. found online [Jul. 29, 2015] <http://www.suasnews.com/2015/07/37445/hold-the-phone-samsung-selfie-drone/>.*

* cited by examiner

Primary Examiner — Robert M Spear
Assistant Examiner — Marissa J Cash
(74) *Attorney, Agent, or Firm* — Sughrue Mion, PLLC

(56) **References Cited**
U.S. PATENT DOCUMENTS
3,053,480 A * 9/1962 Vanderlip 244/17.13
3,614,029 A * 10/1971 Eickmann 244/17.23
4,913,377 A * 4/1990 Eickmann 244/17.11
5,082,079 A * 1/1992 Lissaman et al. 180/118
D648,809 S * 11/2011 Seydoux et al. D21/441
D659,771 S * 5/2012 Seydoux et al. D21/441
D691,514 S 10/2013 Wang et al.

(57) **CLAIM**
The ornamental design for an unmanned aerial vehicle, as shown and described.

DESCRIPTION

FIG. 1 is a perspective view of an unmanned aerial vehicle; FIG. 2 is a front view thereof; FIG. 3 is a rear view thereof; FIG. 4 is a left-side view thereof; FIG. 5 is a right-side view thereof; FIG. 6 is a top-plan view thereof; FIG. 7 is a bottom-plan view thereof; and, FIG. 8 is a perspective view thereof, shown in a folded configuration of use. The broken line portions are shown to illustrate environment only and form no part of the claimed design.

1 Claim, 8 Drawing Sheets

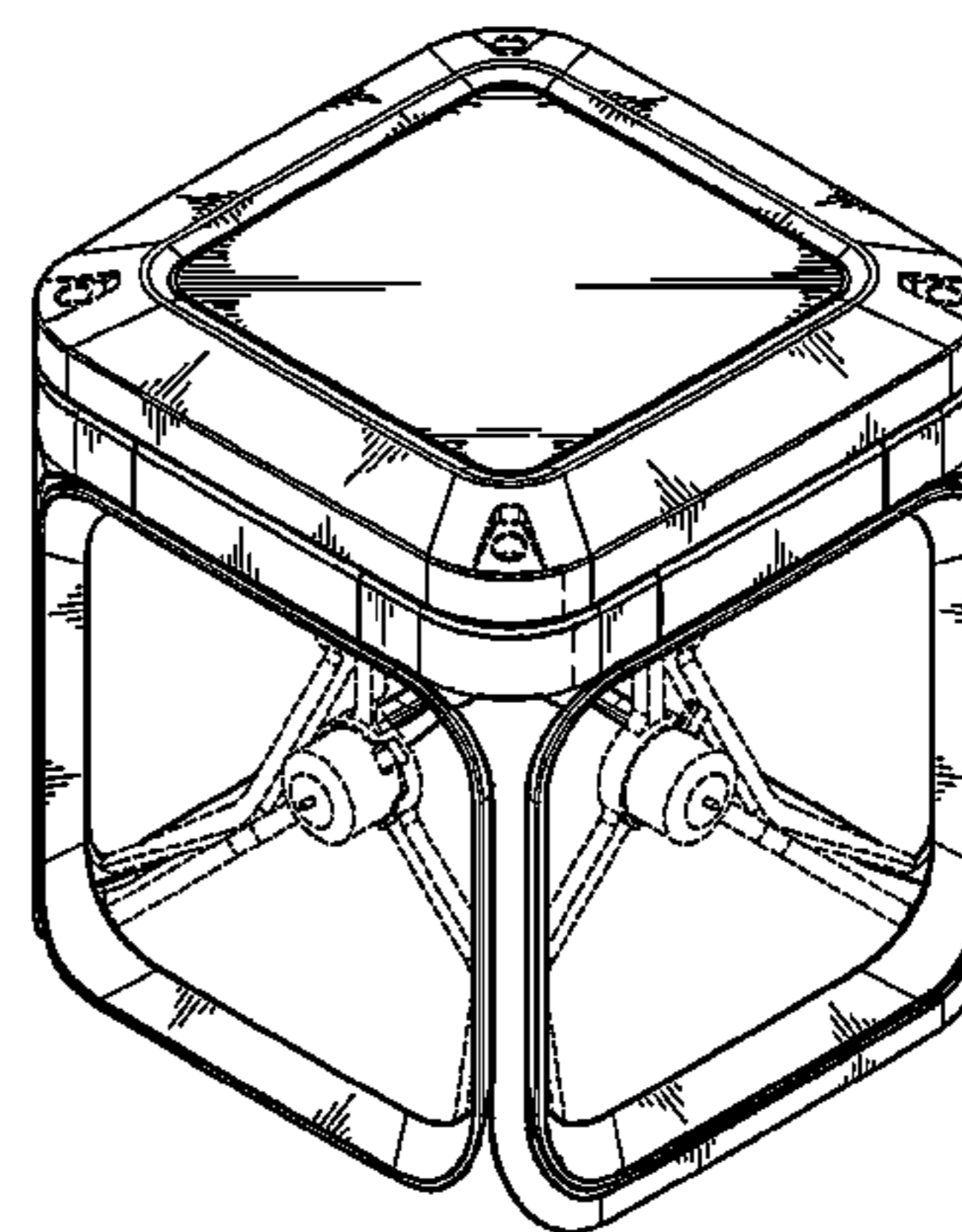
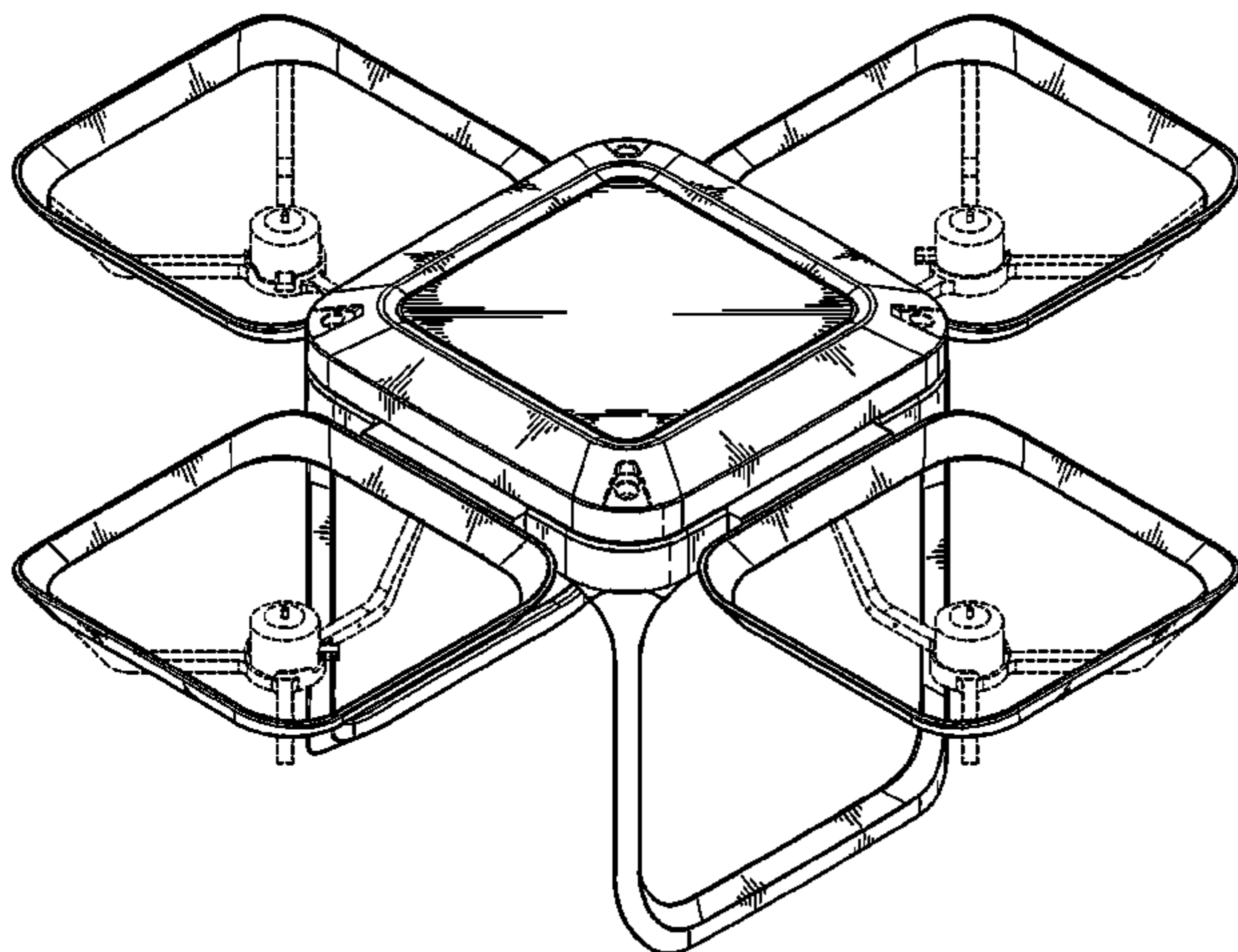


FIG. 1

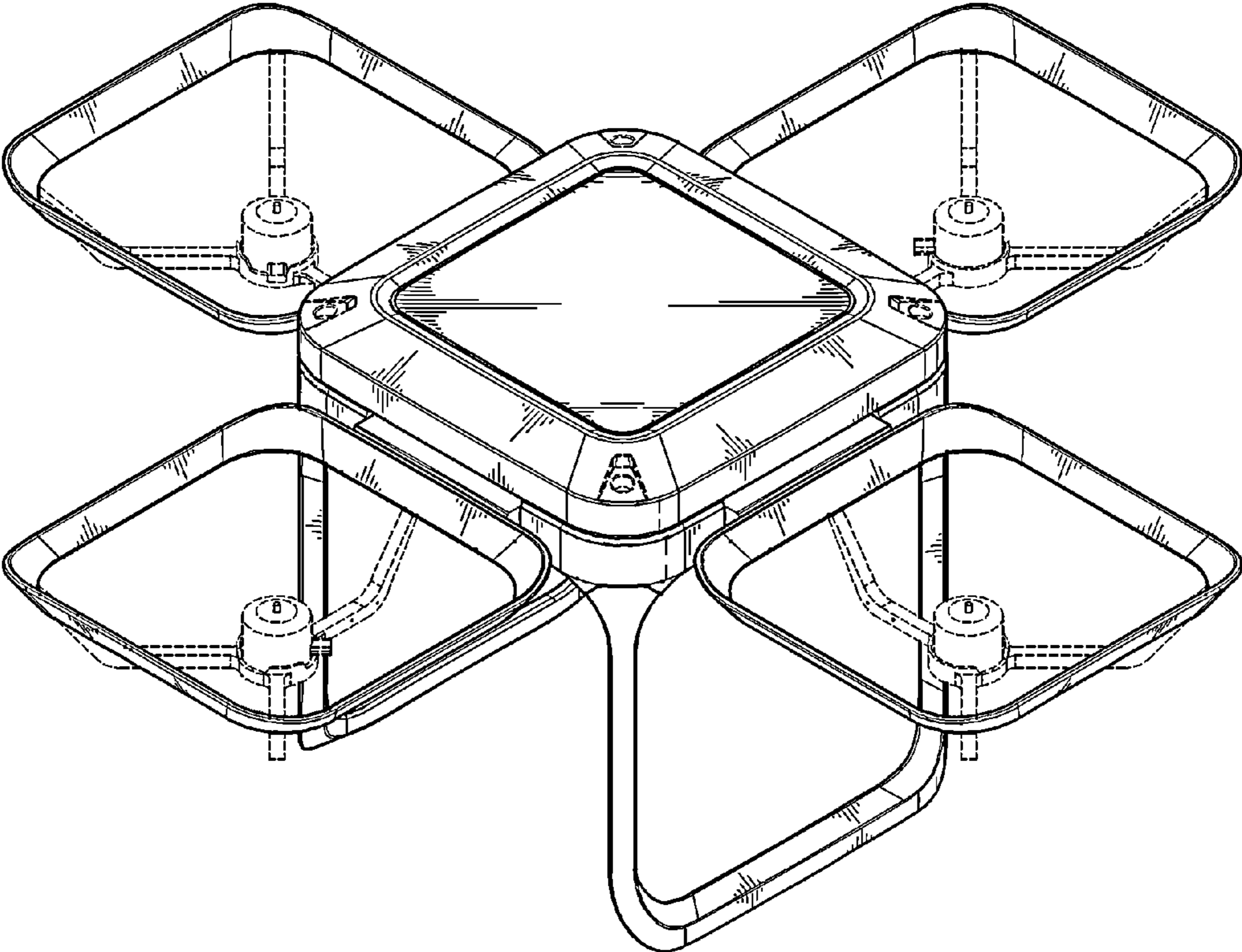


FIG. 2

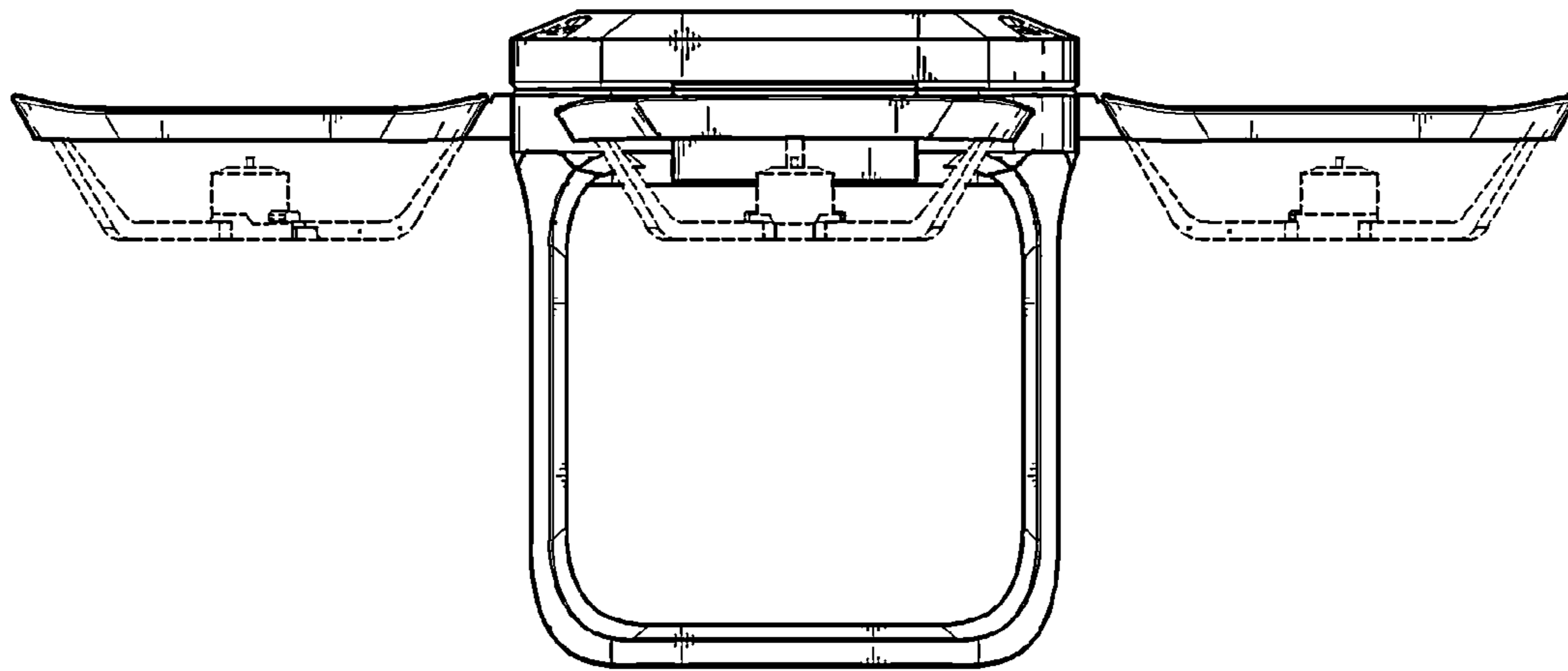


FIG. 3

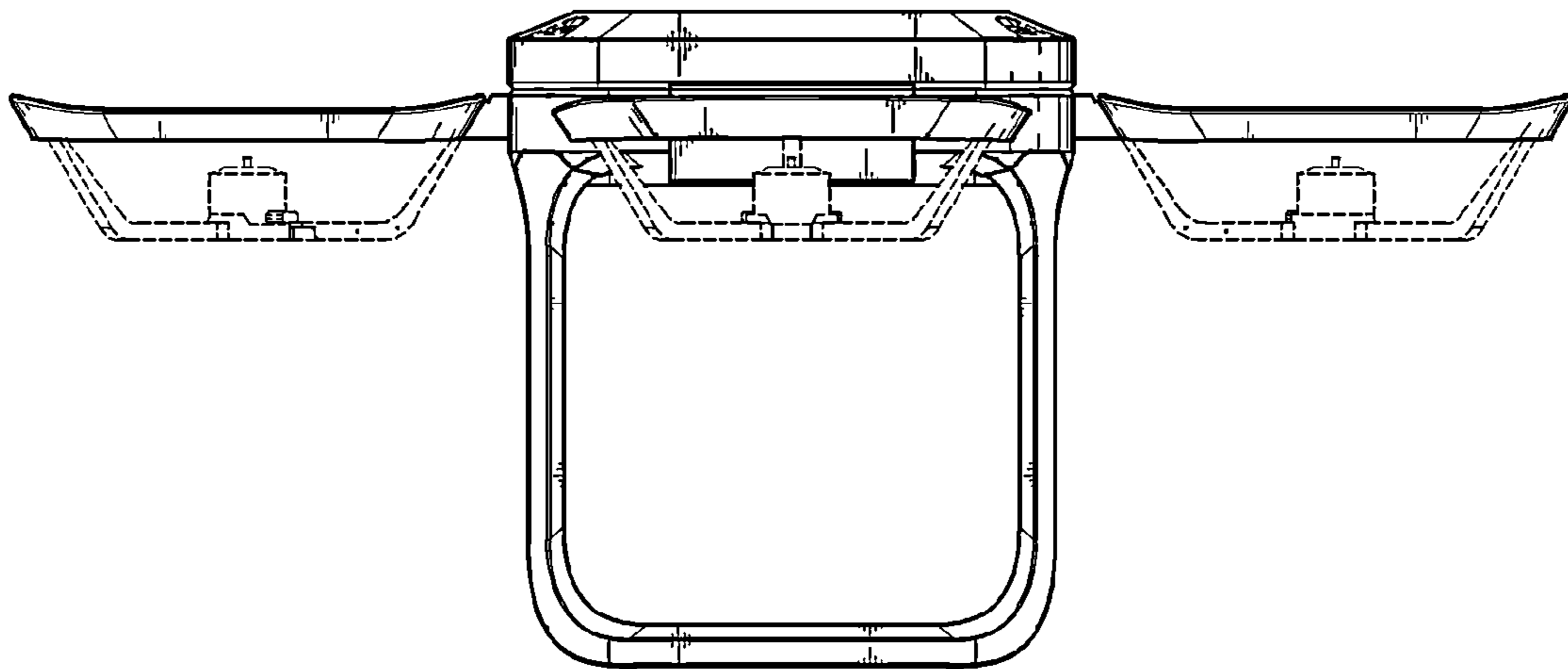


FIG. 4

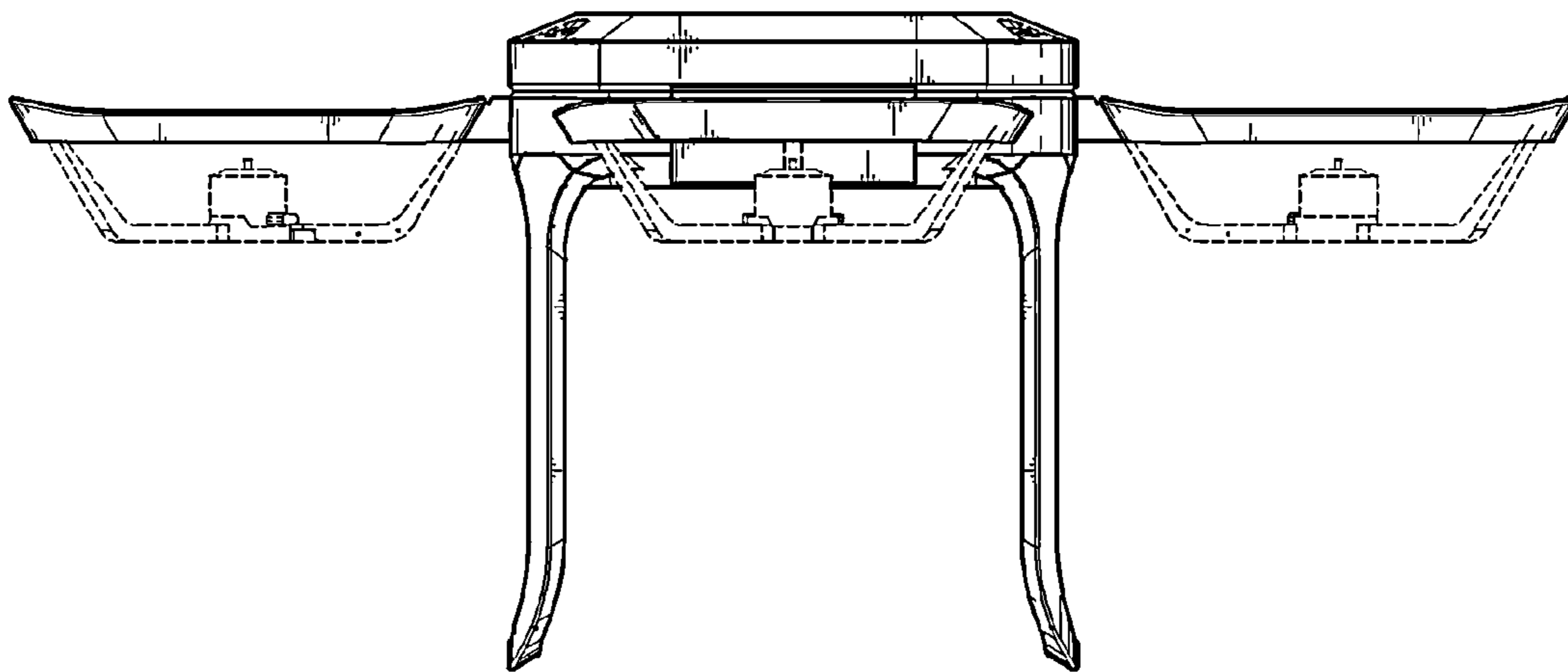


FIG. 5

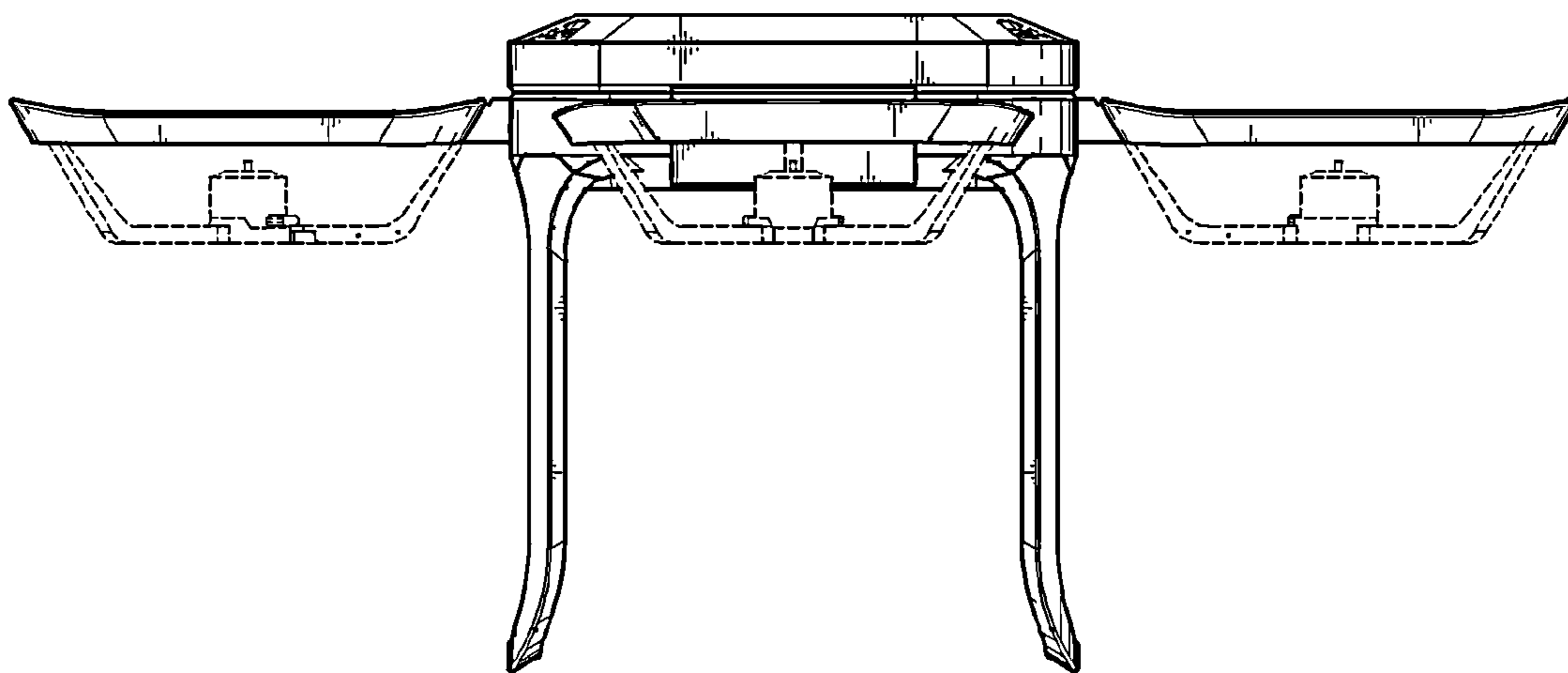


FIG. 6

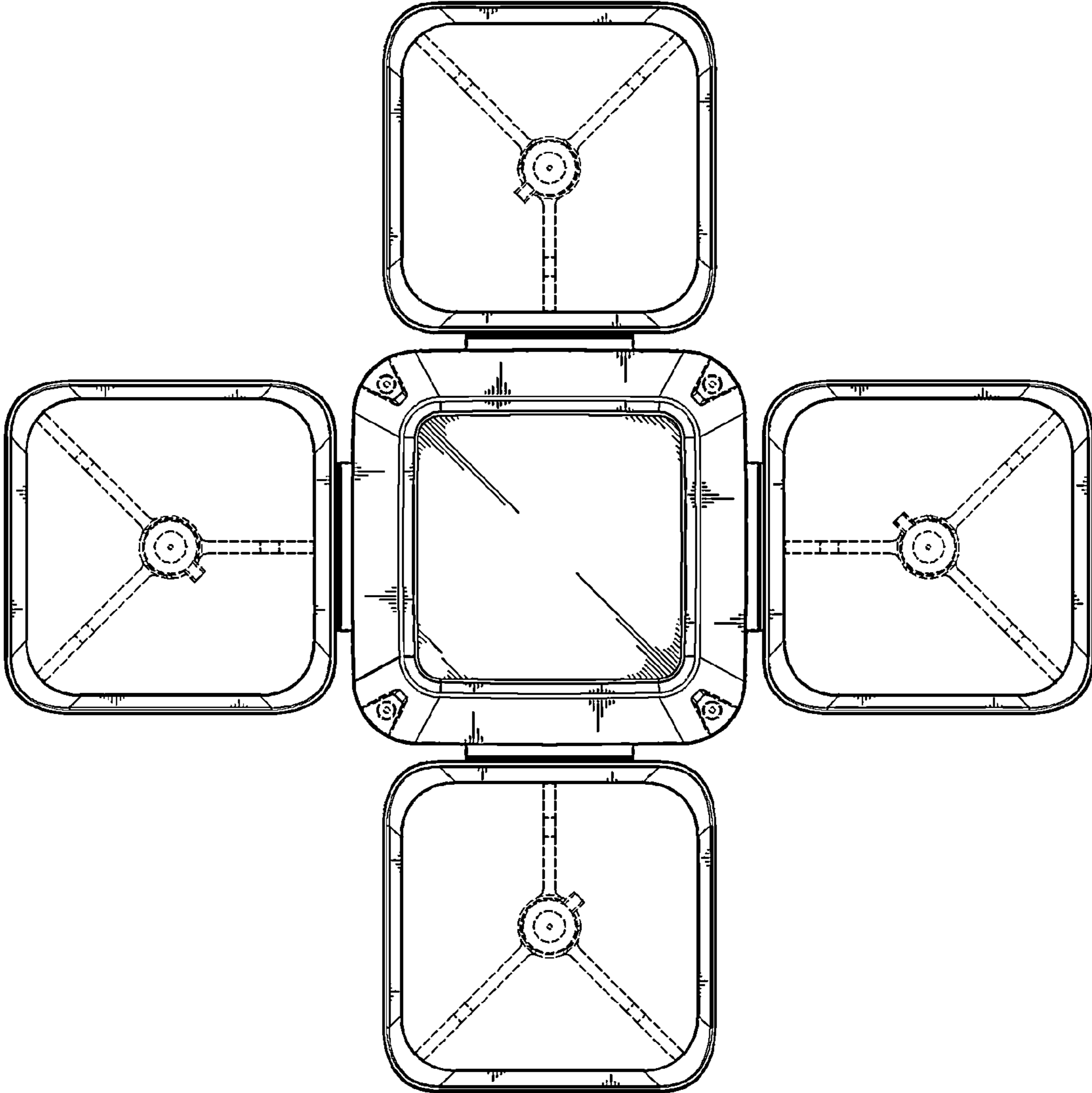


FIG. 7

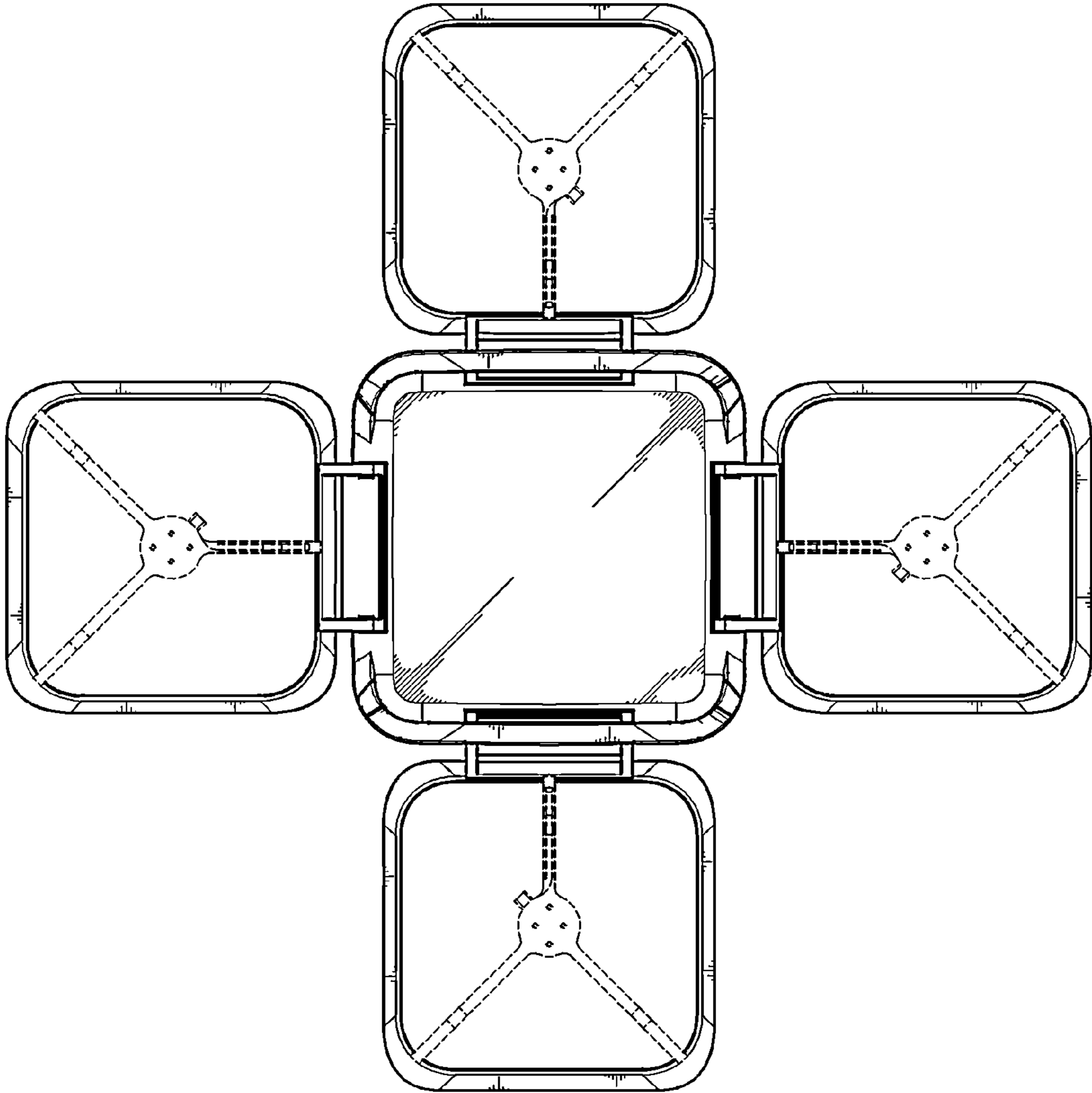


FIG. 8

