



US00D745433S

(12) **United States Design Patent**
Morszeck

(10) **Patent No.:** **US D745,433 S**

(45) **Date of Patent:** **** Dec. 15, 2015**

(54) **ZIPPER**

(71) Applicant: **Rimowa GmbH**, Cologne (DE)

(72) Inventor: **Dieter Morszeck**, Cologne (DE)

(73) Assignee: **Rimowa GmbH**, Cologne (DE)

(**) Term: **14 Years**

(21) Appl. No.: **29/502,817**

(22) Filed: **Sep. 19, 2014**

(51) **LOC (10) Cl.** **02-07**

(52) **U.S. Cl.**
USPC **D11/221**

(58) **Field of Classification Search**

USPC D11/200–201, 221; 24/381–383,
24/385–387, 414–431, 412; 2/265;
D2/641; 294/2, 3.6; 223/111
CPC A44B 19/00; A44B 19/02; A44B 19/04;
A44B 19/10; A44B 19/24; A44B 19/26;
A44B 19/30; A44B 19/06

See application file for complete search history.

(56) **References Cited**

U.S. PATENT DOCUMENTS

4,570,309	A	*	2/1986	Ishii	24/429
D324,660	S	*	3/1992	Yuuki	D11/221
D395,693	S	*	6/1998	Yuki	D11/221
D435,486	S	*	12/2000	Odgard	D11/221
D606,455	S	*	12/2009	Baron	D11/221
D672,282	S	*	12/2012	Phillips et al.	D11/221
D676,357	S	*	2/2013	Phillips et al.	D11/221
D693,735	S	*	11/2013	Sung et al.	D11/221

* cited by examiner

Primary Examiner — Ralf Seifert

(74) *Attorney, Agent, or Firm* — Novick, Kim & Lee, PLLC;
Jae Youn Kim

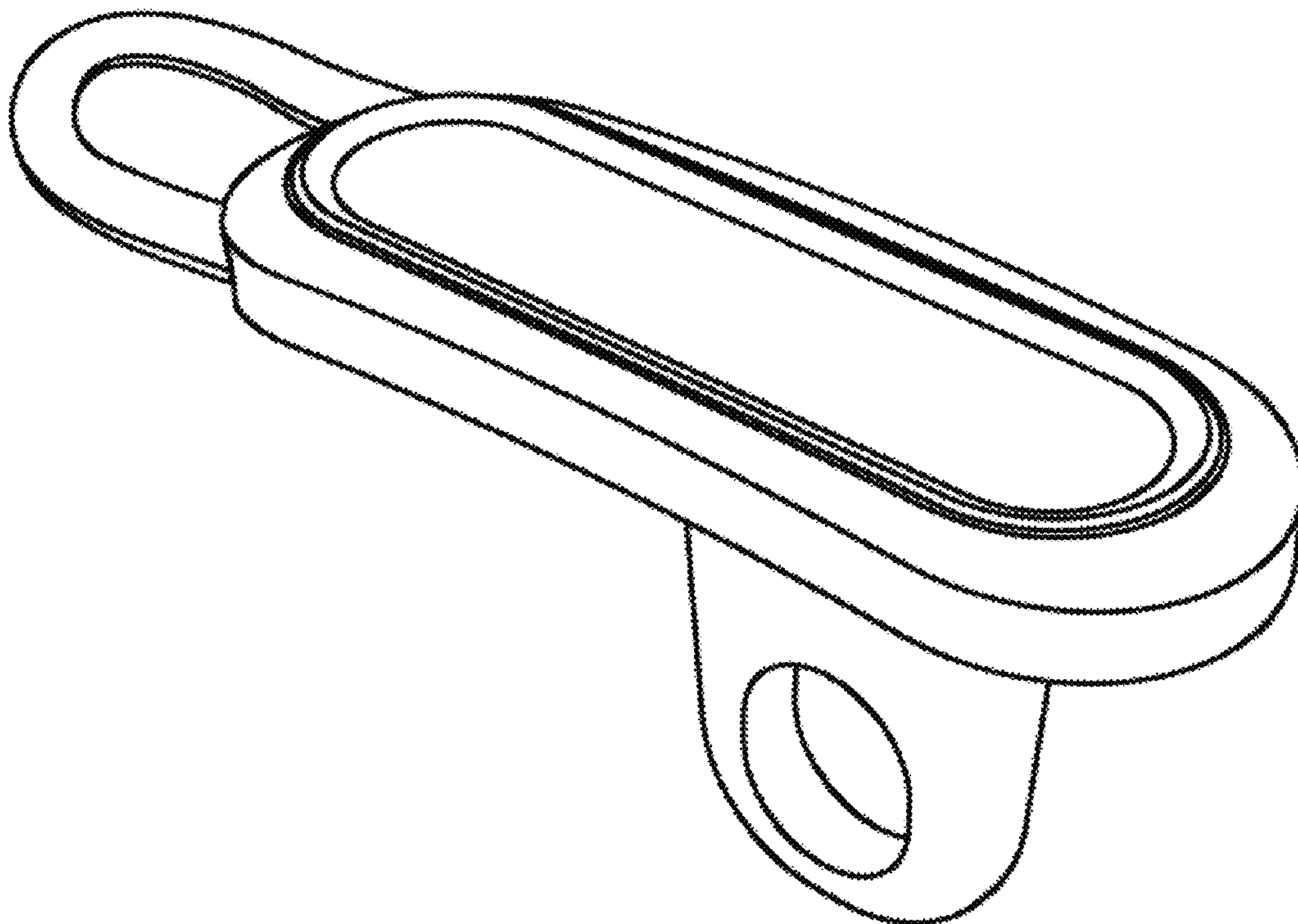
(57) **CLAIM**

I claim, the ornamental design for a zipper, as shown and described.

DESCRIPTION

FIG. 1 is a perspective view of a zipper, showing my new design;
FIG. 2 is a front elevational view thereof;
FIG. 3 is a rear elevational view thereof;
FIG. 4 is a left side elevational view thereof;
FIG. 5 is a right side elevational view thereof;
FIG. 6 is a top plan view thereof; and,
FIG. 7 is a bottom plan view thereof.

1 Claim, 7 Drawing Sheets



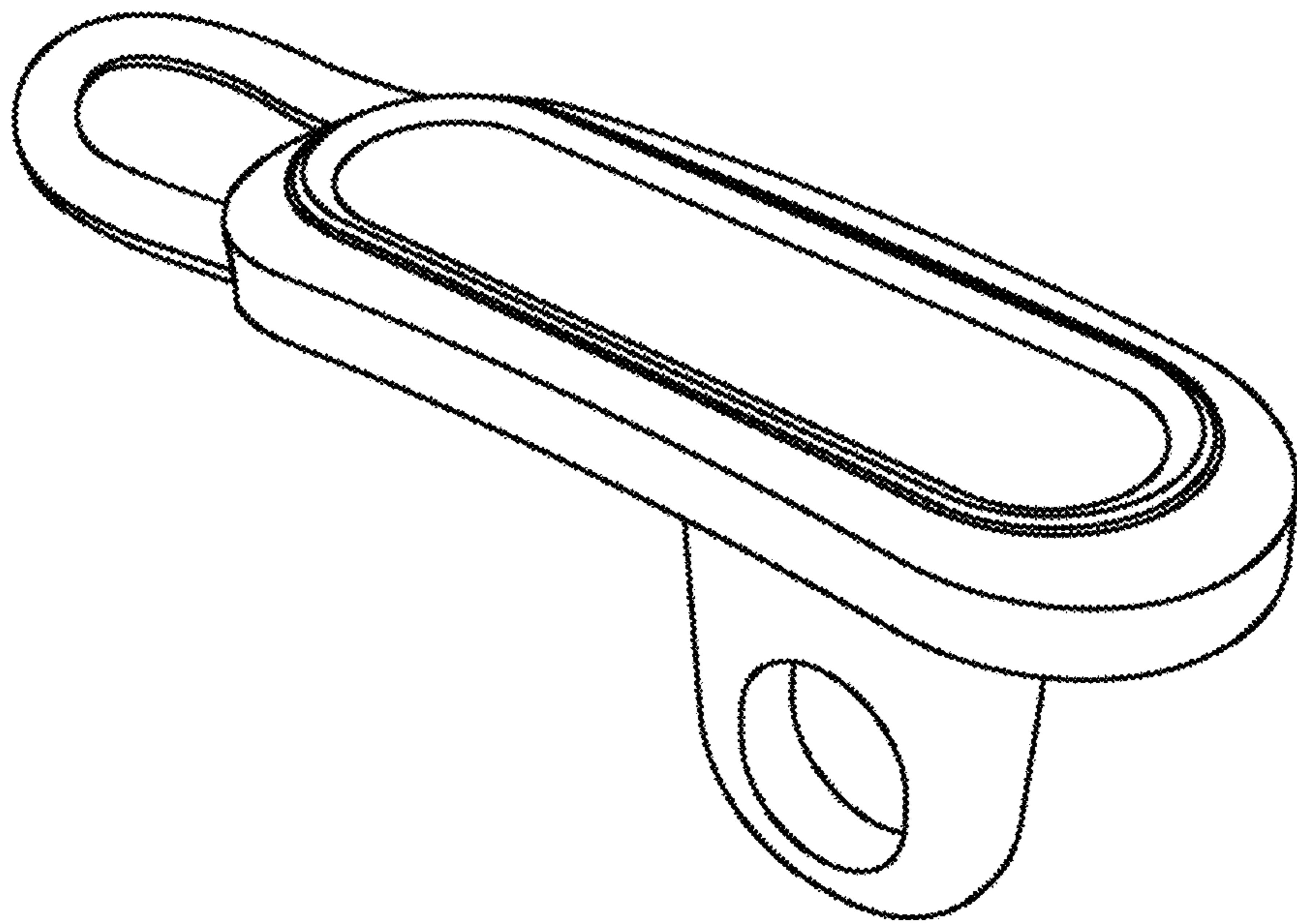


FIG. 1

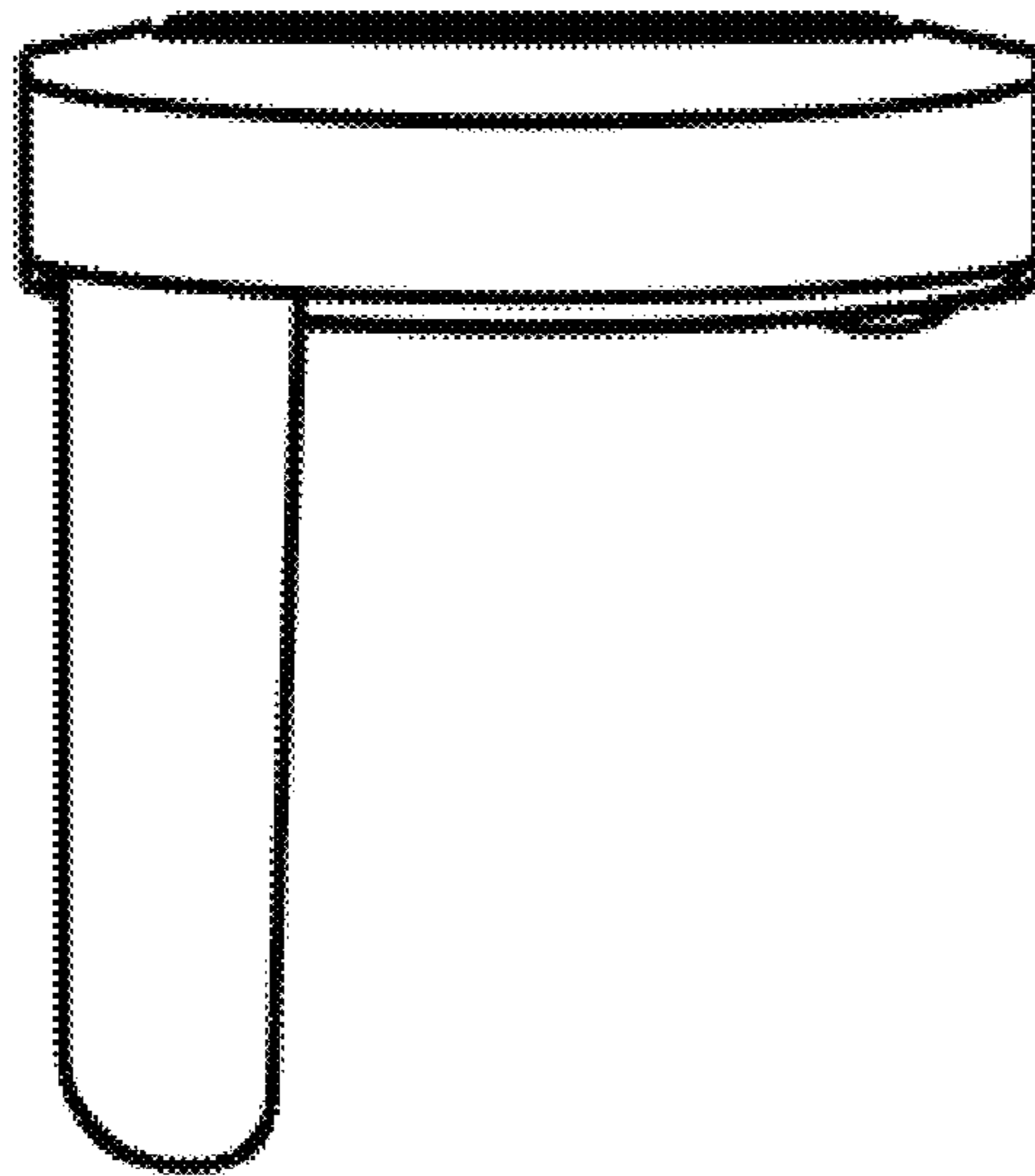


FIG. 2

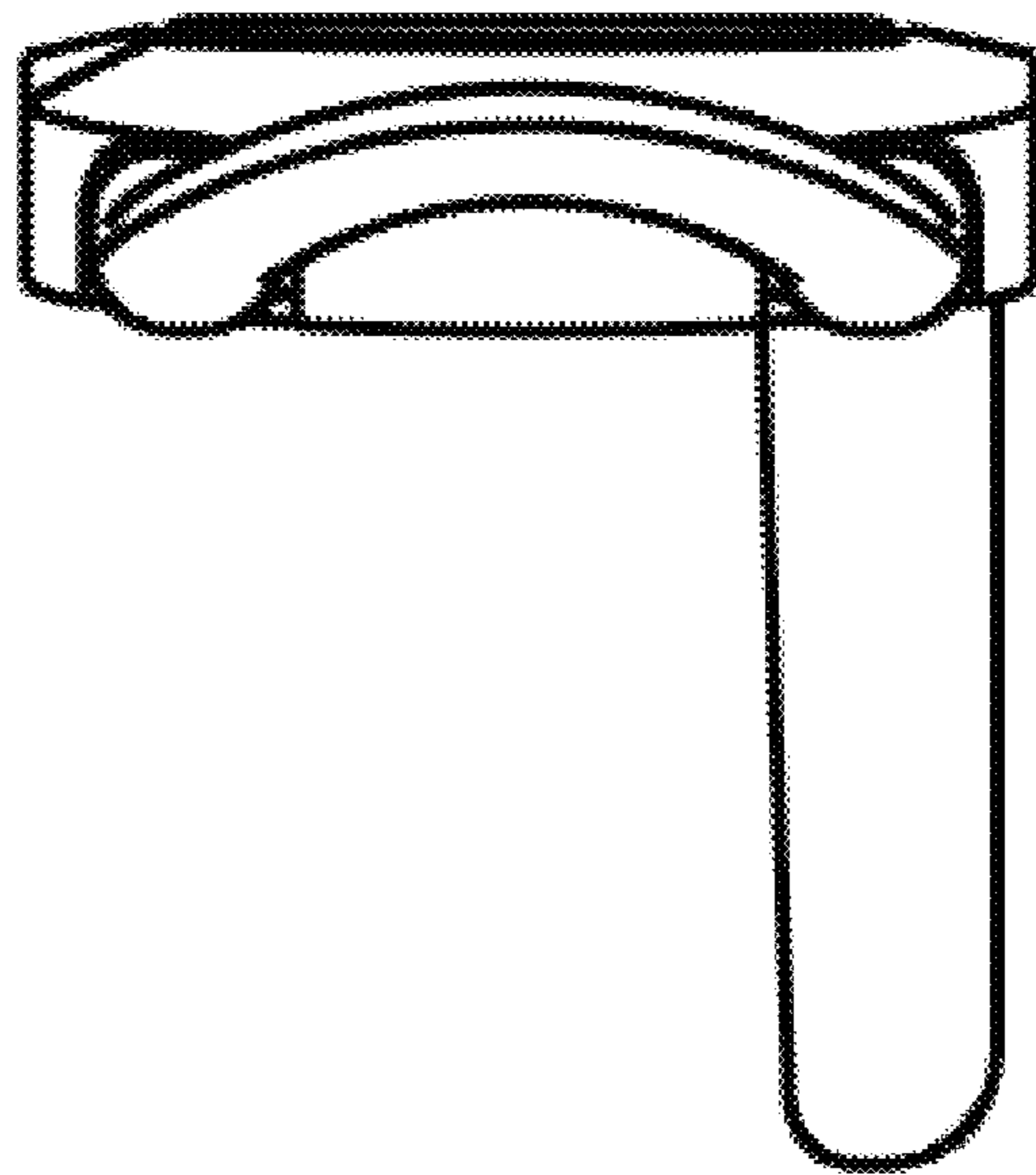


FIG. 3

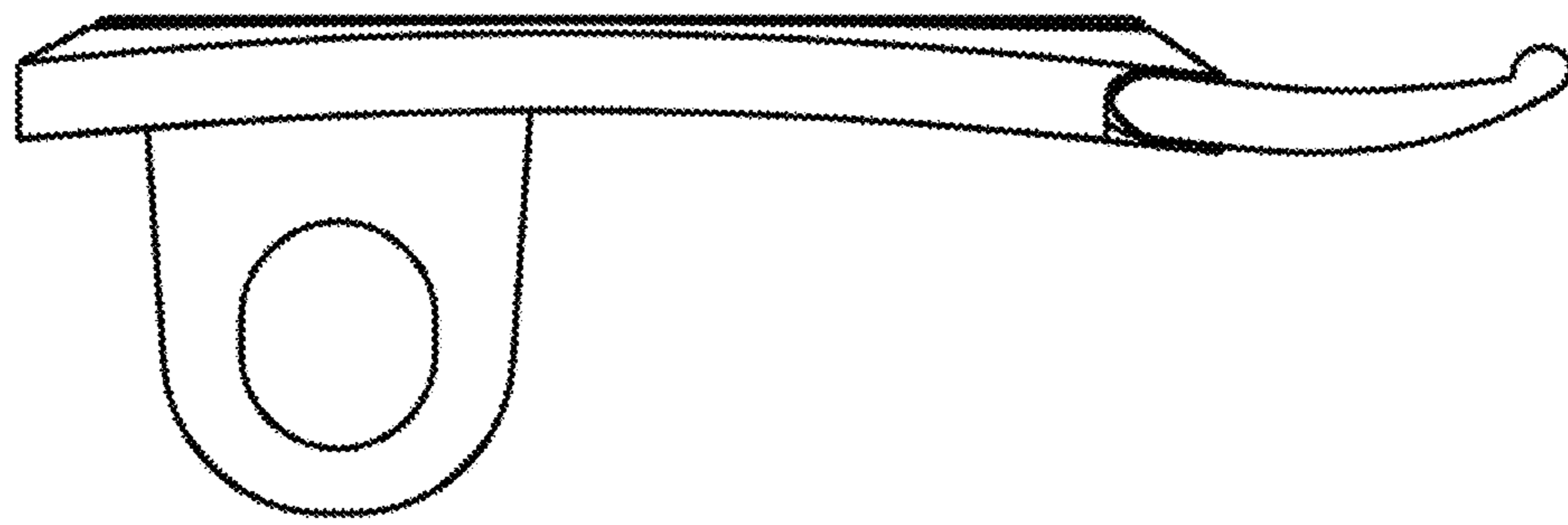


FIG. 4



FIG. 5

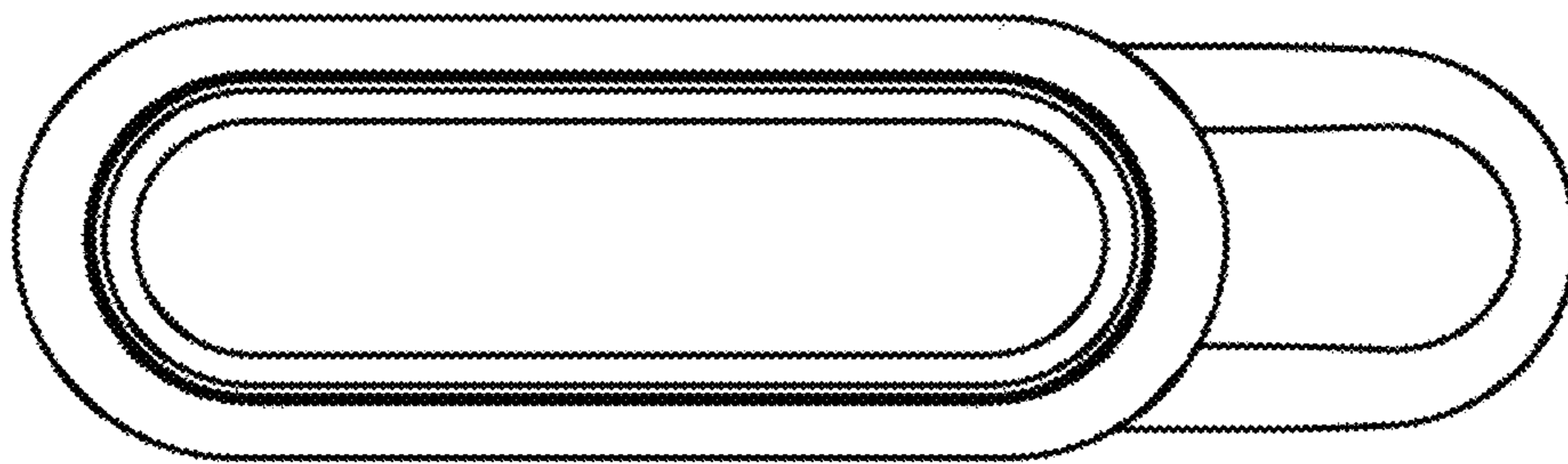


FIG. 6

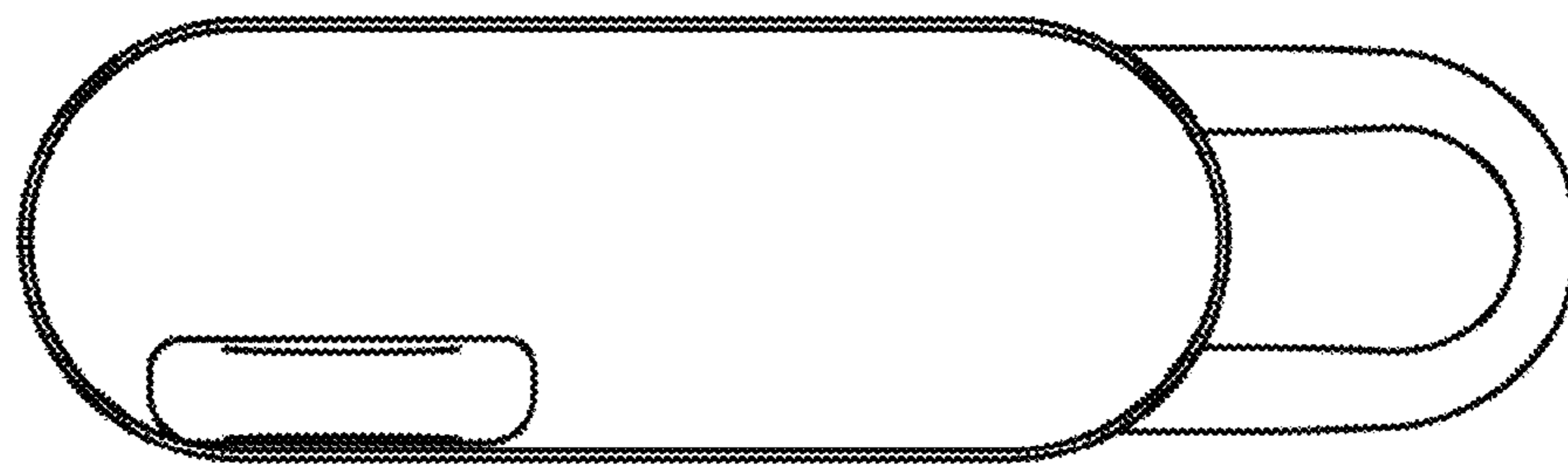


FIG. 7