



US00D745430S

(12) **United States Design Patent**
McLennan

(10) **Patent No.:** **US D745,430 S**

(45) **Date of Patent:** **** Dec. 15, 2015**

(54) **CULTIVATION TRAY**

(71) Applicant: **Michael McLennan**, New Westminster
(CA)

(72) Inventor: **Michael McLennan**, New Westminster
(CA)

(**) Term: **14 Years**

(21) Appl. No.: **29/496,338**

(22) Filed: **Jul. 11, 2014**

(51) **LOC (10) Cl.** **11-02**

(52) **U.S. Cl.**
USPC **D11/155**

(58) **Field of Classification Search**
USPC D3/304, 305, 310, 311, 315, 306;
D6/403, 404, 405, 556, 557, 558;
D7/560, 561, 562, 565, 584, 585, 586,
D7/587, 588; D9/424, 428, 429;
D11/143-156, 164
CPC A01G 9/00; A01G 9/003; A01G 9/02;
A01G 9/021; A01G 9/022; A01G 9/026;
A01G 9/104; A01G 9/027; A01G 9/028;
A01G 9/023

See application file for complete search history.

(56) **References Cited**

U.S. PATENT DOCUMENTS

837,977 A * 12/1906 Thornton 47/74
2,042,210 A * 5/1936 Clay 294/172

D192,036 S * 1/1962 Raymond D7/552.1
3,396,488 A * 8/1968 Ries 47/33
D284,953 S * 8/1986 Kaneko D11/155
4,778,056 A * 10/1988 Faulstick et al. 206/564
D359,930 S * 7/1995 Tuttle D11/155
D372,640 S * 8/1996 Sinner D7/551.2
D395,548 S * 6/1998 Morissette D3/307
D462,925 S * 9/2002 Angulo D11/155
D495,621 S * 9/2004 Sikina D11/155
D614,994 S * 5/2010 Dipaolo et al. D11/164
D677,154 S * 3/2013 Miller et al. D9/424
D684,890 S * 6/2013 Zahmel D11/145
D719,055 S * 12/2014 Tyink D11/143
2003/0070357 A1 * 4/2003 Huang 47/66.3
2010/0186292 A1 * 7/2010 Hall 47/33
2014/0109473 A1 * 4/2014 Sung 47/39
2014/0137941 A1 * 5/2014 Orsley 136/259

* cited by examiner

Primary Examiner — Elizabeth Albert
(74) *Attorney, Agent, or Firm* — Smiths IP

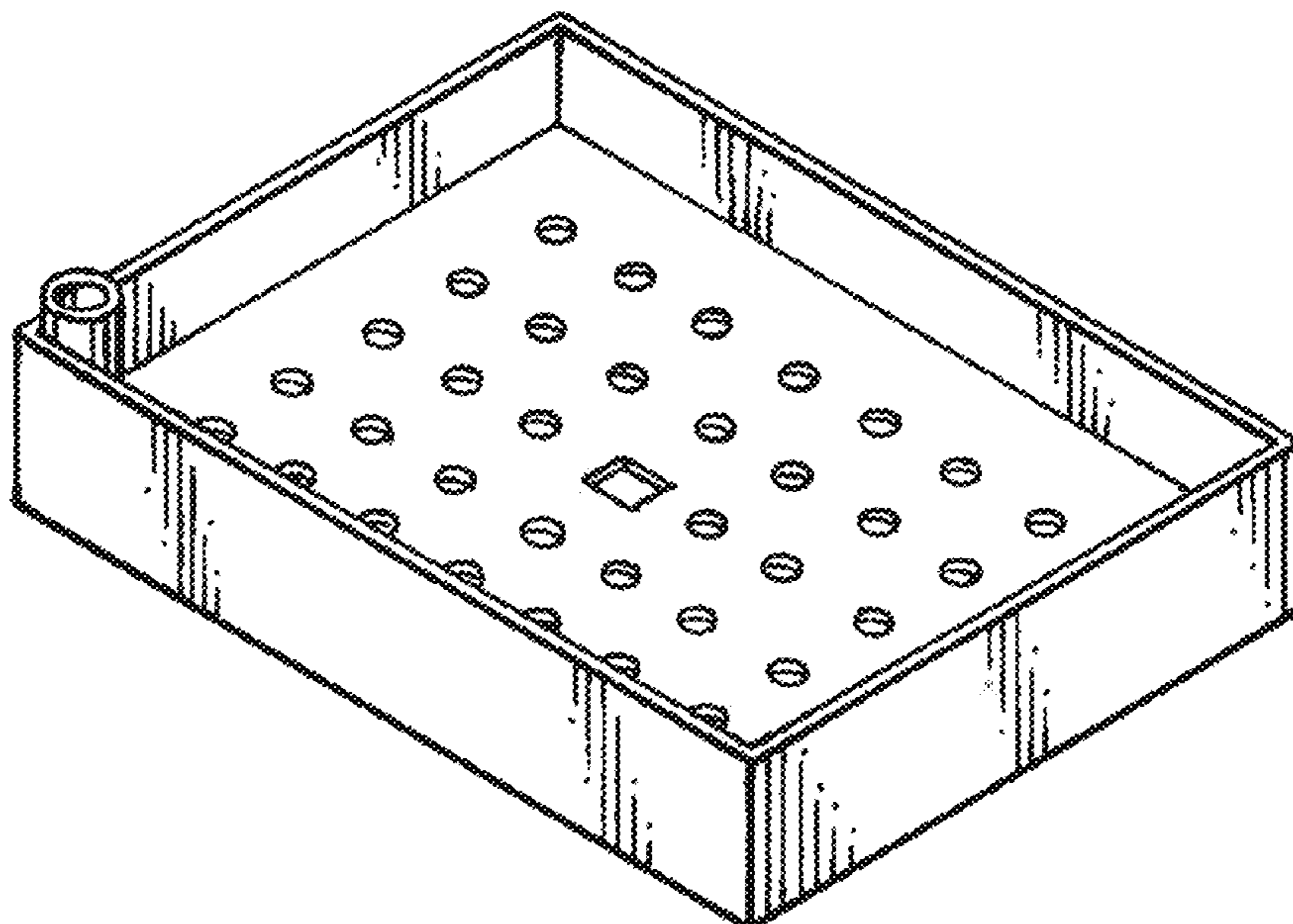
(57) **CLAIM**

The ornamental design for a cultivation tray, as shown and described.

DESCRIPTION

FIG. 1 is a perspective view of a cultivation tray showing my new design;
FIG. 2 is an exploded view thereof;
FIG. 3 is a front view thereof;
FIG. 4 is a top view thereof; and,
FIG. 5 is side view thereof.

1 Claim, 3 Drawing Sheets



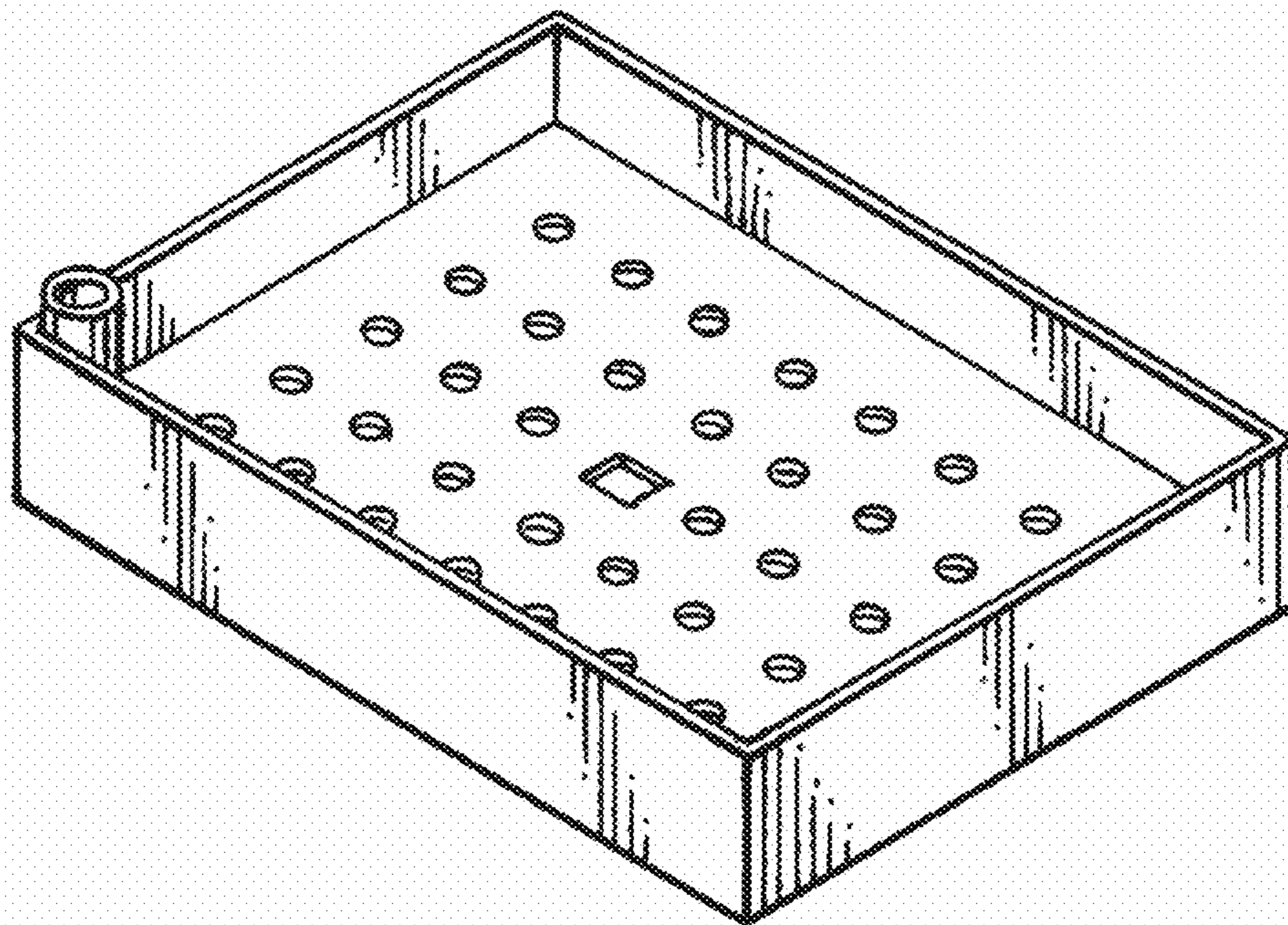


FIG. 1

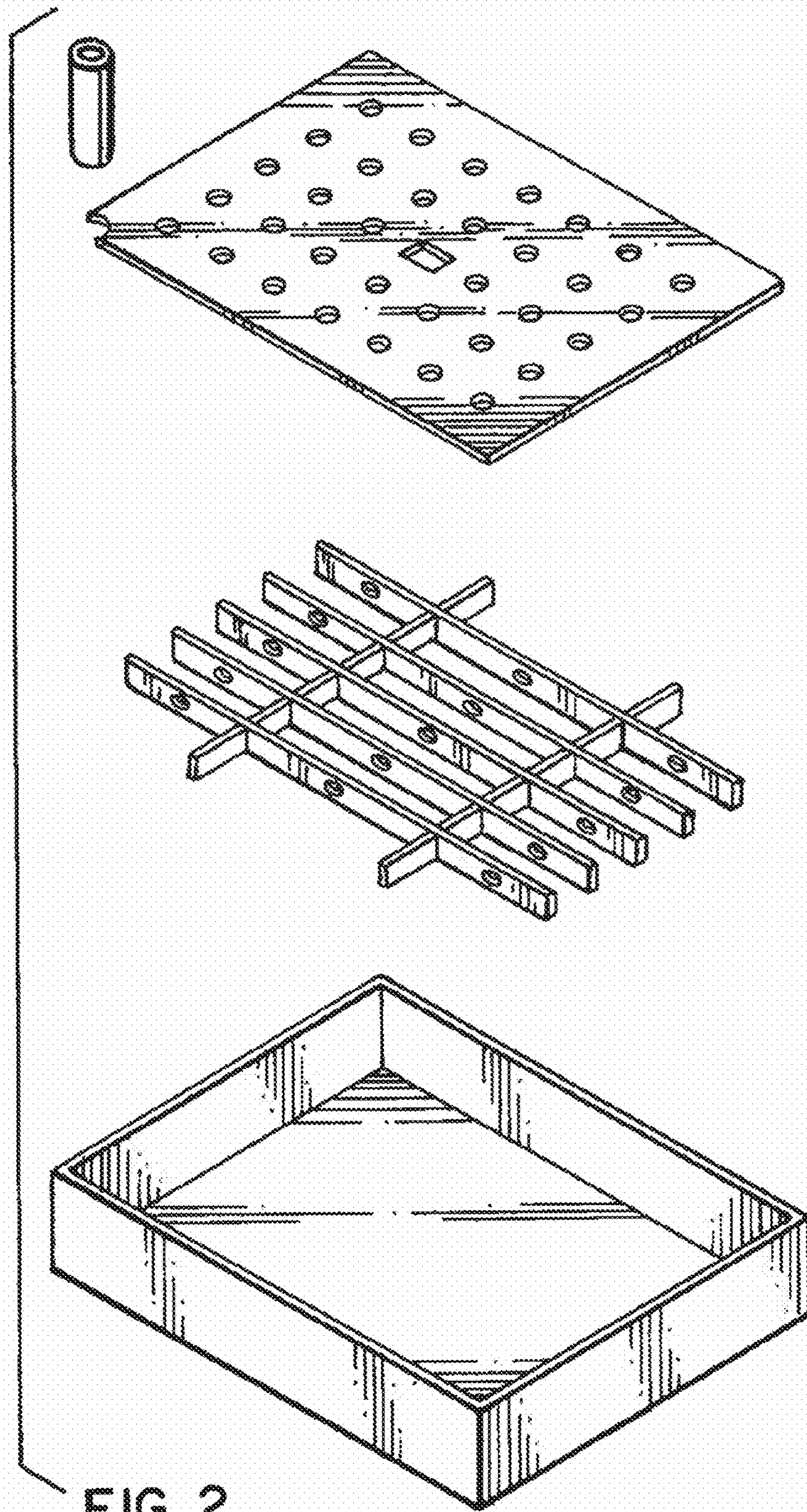


FIG. 2

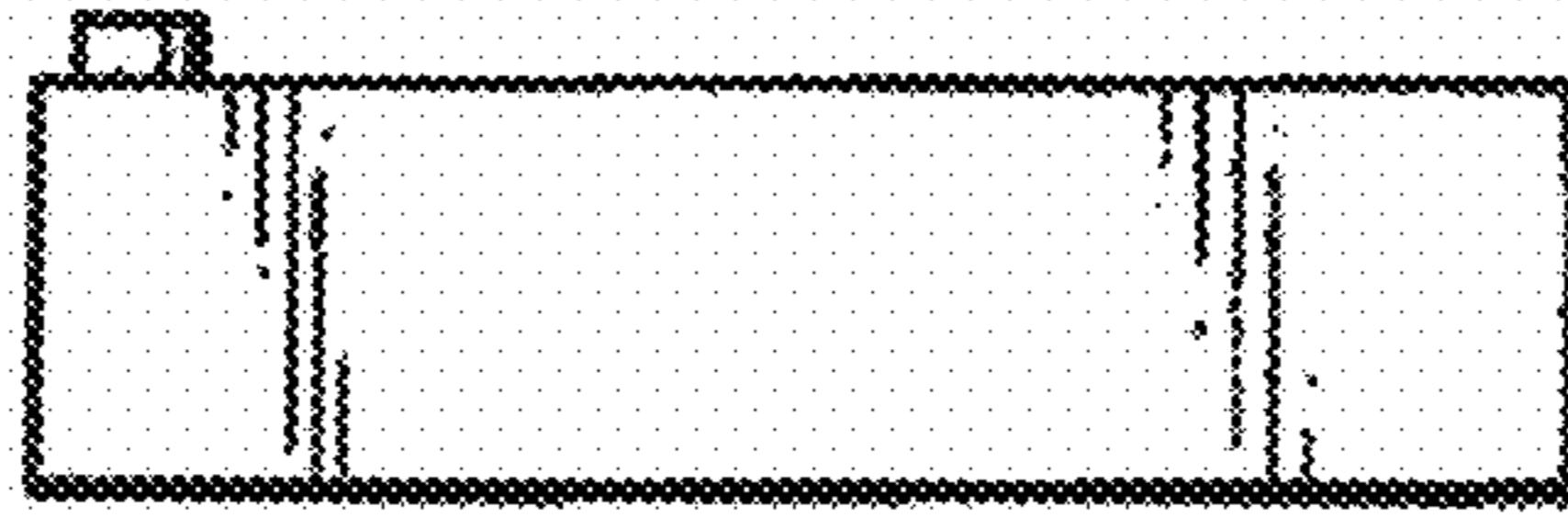


FIG. 3

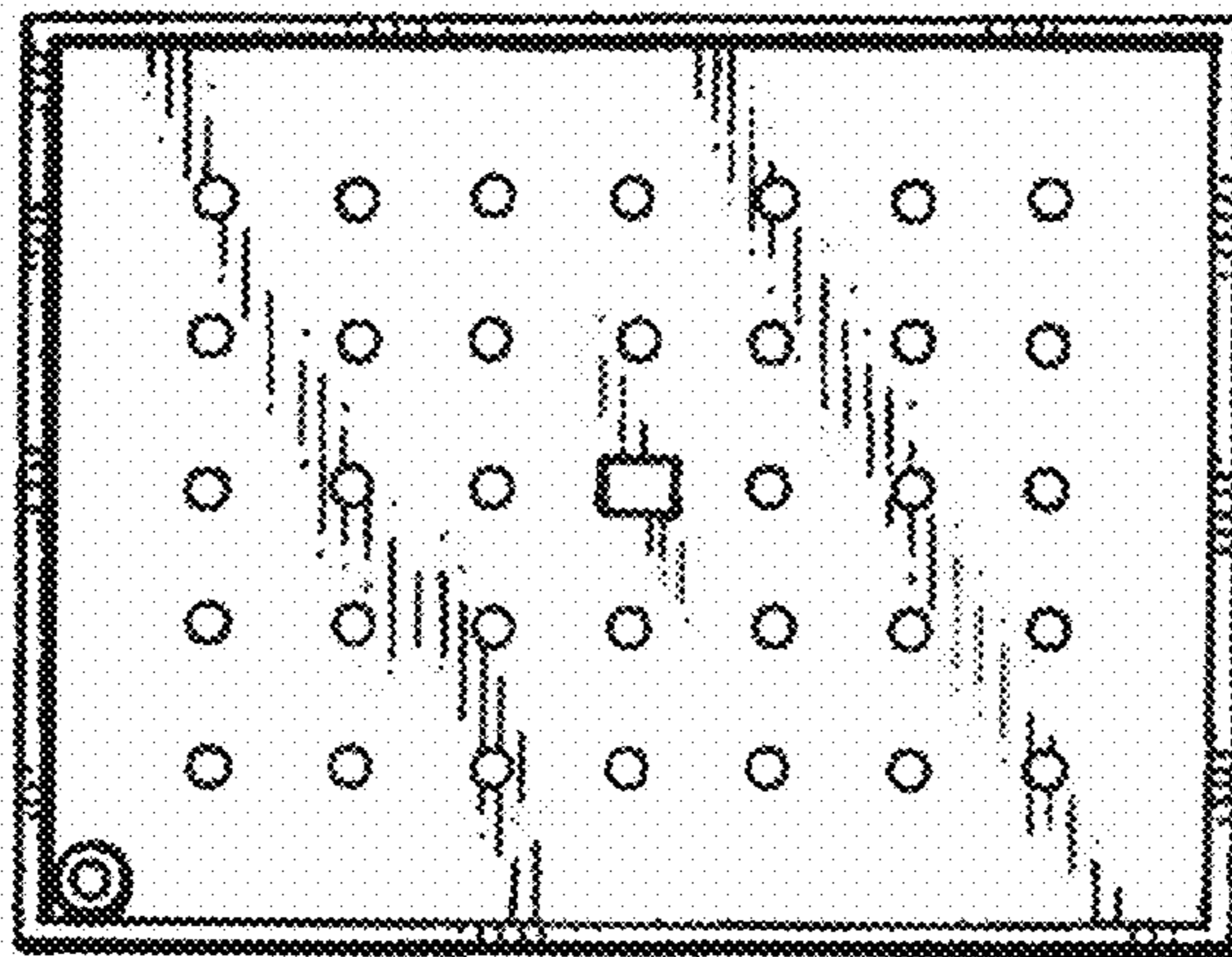


FIG. 4

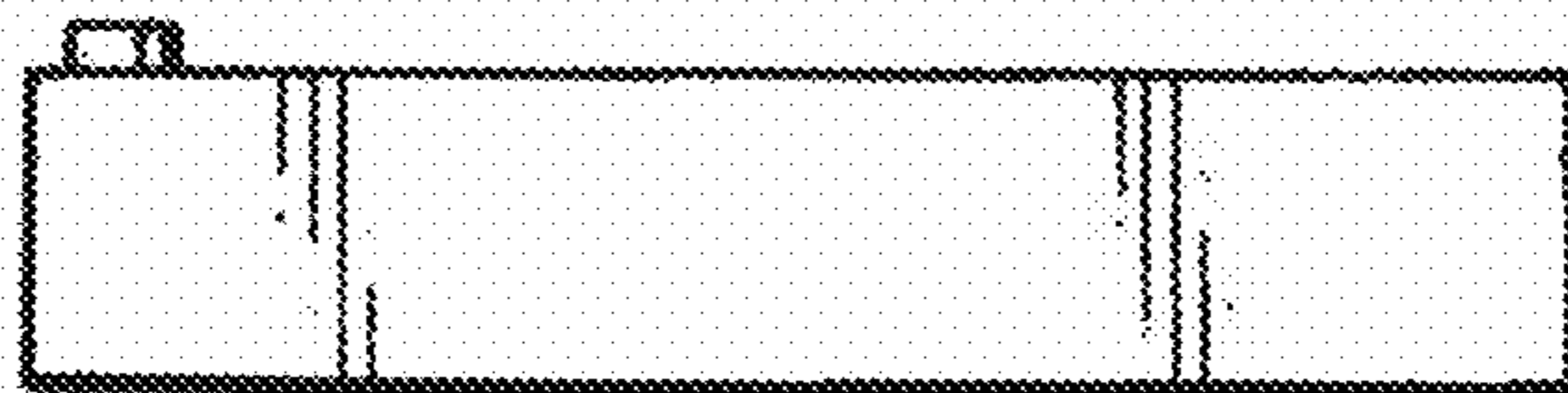


FIG. 5