



US00D745429S

(12) **United States Design Patent**  
**Morris**

(10) **Patent No.:** **US D745,429 S**

(45) **Date of Patent:** **\*\* Dec. 15, 2015**

(54) **PLANTER**

(71) Applicant: **Patrick John Morris**, Matakana (NZ)

(72) Inventor: **Patrick John Morris**, Matakana (NZ)

(\*\*) Term: **14 Years**

(21) Appl. No.: **29/479,188**

(22) Filed: **Jan. 13, 2014**

(30) **Foreign Application Priority Data**

Jul. 18, 2013 (NZ) ..... 417808

(51) **LOC (10) CL.** ..... **11-02**

(52) **U.S. Cl.**  
USPC ..... **D11/155**

(58) **Field of Classification Search**  
USPC ..... D3/304, 315; D6/403, 404, 405, 680.2;  
D9/418, 428, 519, 537, 545, 549;  
D11/143-156, 164; D26/55; 47/17, 39,  
47/41.01, 65.5, 65.7, 65.9, 66.6, 66.7, 77,  
47/86; D7/509-532

CPC ..... A01G 9/02; A01G 9/022; A01G 9/04;  
A01G 9/042; A01G 9/045; A01G 9/10;  
A47G 7/045; A47G 7/047

See application file for complete search history.

(56) **References Cited**

**U.S. PATENT DOCUMENTS**

3,800,469	A *	4/1974	Lau et al.	47/65.5
4,092,804	A *	6/1978	Morris et al.	47/71
4,171,593	A *	10/1979	Bigglestone	47/79
4,646,209	A *	2/1987	Jansen	362/122
4,937,972	A *	7/1990	Freitus	47/62 R
5,649,386	A *	7/1997	Rynberk	47/41.14

D502,669	S *	3/2005	Smith et al.	D11/155
D564,394	S *	3/2008	Schmidt	D11/152
7,454,864	B2 *	11/2008	Smith et al.	47/87
D590,549	S *	4/2009	Kilroy	D30/104
D594,775	S *	6/2009	Moreau	D11/152
7,673,416	B2 *	3/2010	Smith et al.	47/66.5
7,673,417	B2 *	3/2010	Smith et al.	47/66.7
D630,124	S *	1/2011	Connell et al.	D11/152
D671,831	S *	12/2012	Moreau	D9/428
D680,467	S *	4/2013	Strom et al.	D11/152
D689,793	S *	9/2013	Yung	D11/146
D698,499	S *	1/2014	Deng	D30/101
D708,546	S *	7/2014	Hung et al.	D11/151
D713,100	S *	9/2014	Salgueiro et al.	D30/117
2011/0000131	A1 *	1/2011	Chan et al.	47/65.7

\* cited by examiner

*Primary Examiner* — Elizabeth Albert

(74) *Attorney, Agent, or Firm* — Bio Intellectual Property Services LLC (Bio IPS); O. (Sam) Zaghmout

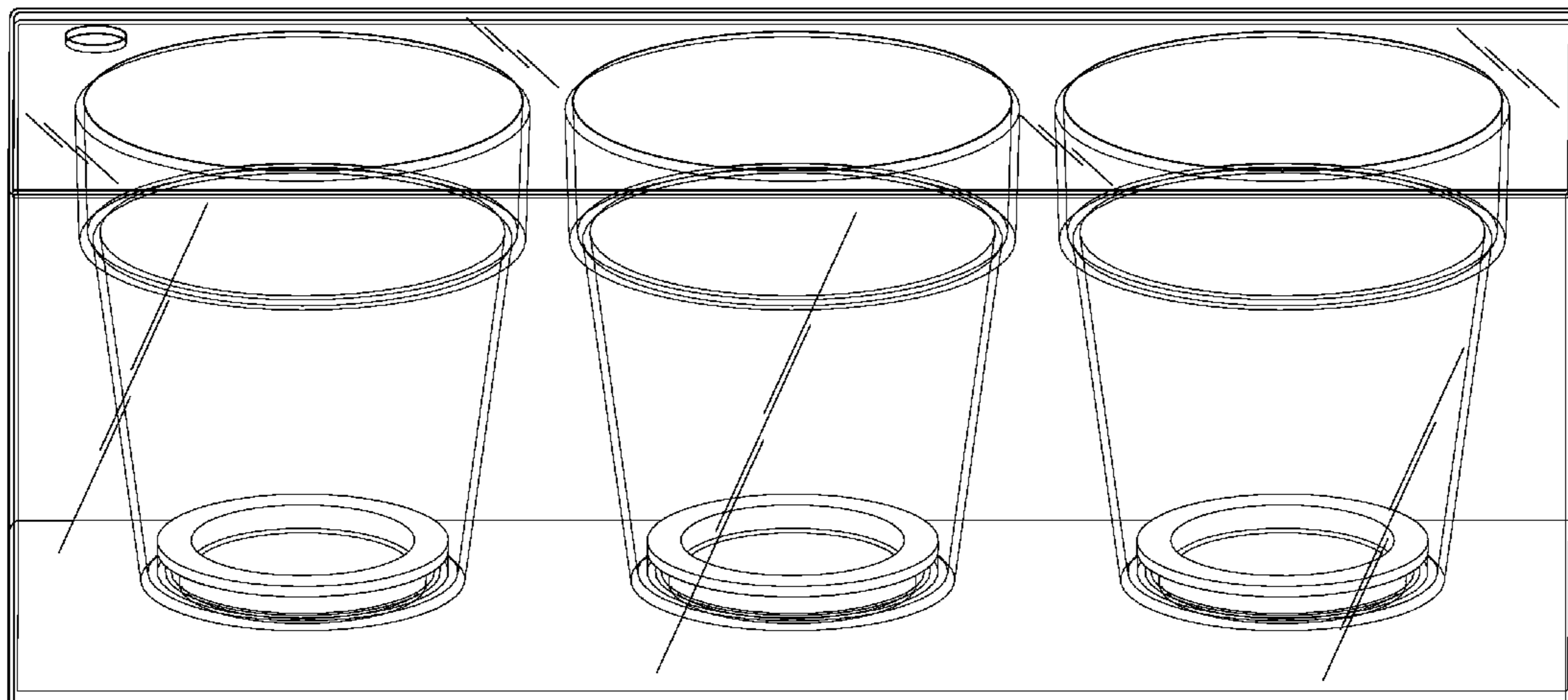
(57) **CLAIM**

I claim the ornamental design for a planter, as shown and described.

**DESCRIPTION**

FIG. 1 is a sectional view of a planter taken along the line 1-1 in FIG. 2 showing my new design; FIG. 2 is a top plan view of the planter; FIG. 3 is a first perspective view of the planter; FIG. 4 is an alternate perspective view of the planter; and, FIG. 5 is an alternate top plan view of the planter rotated 180 degrees in relation to the view shown in FIG. 2. The broken line in FIG. 2 is included for the purpose of showing a feature of the planter that forms no part of the claimed design.

**1 Claim, 5 Drawing Sheets**



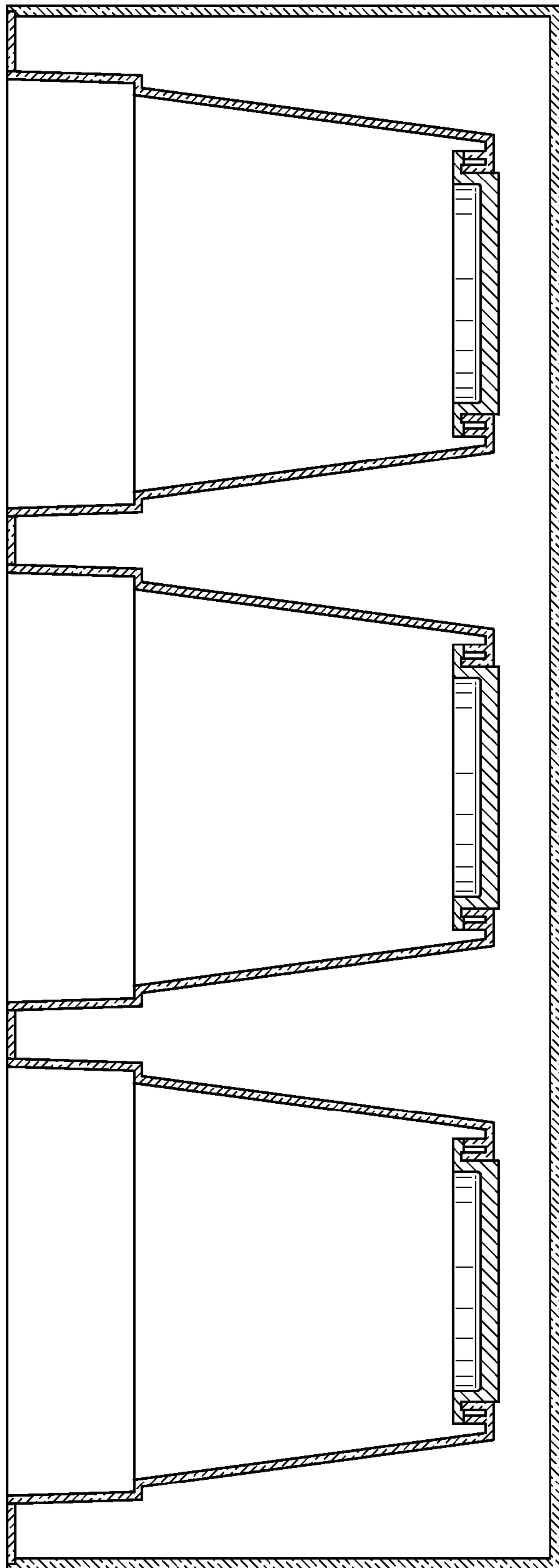


FIG. 1

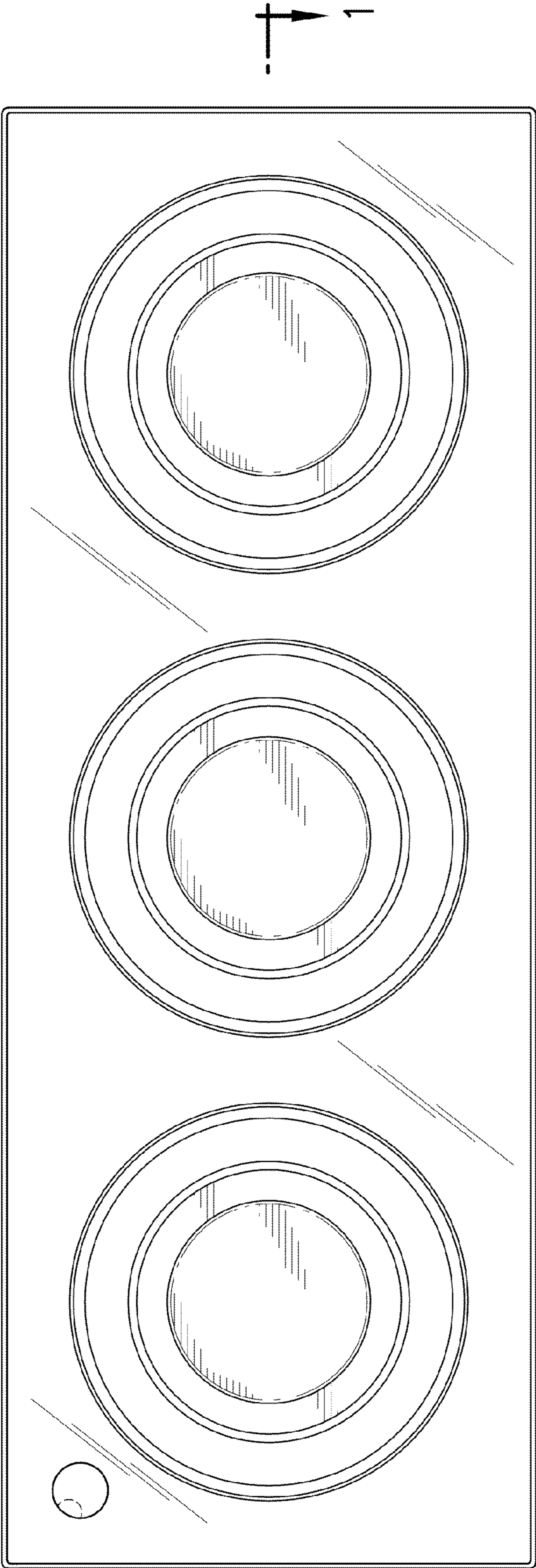


FIG. 2

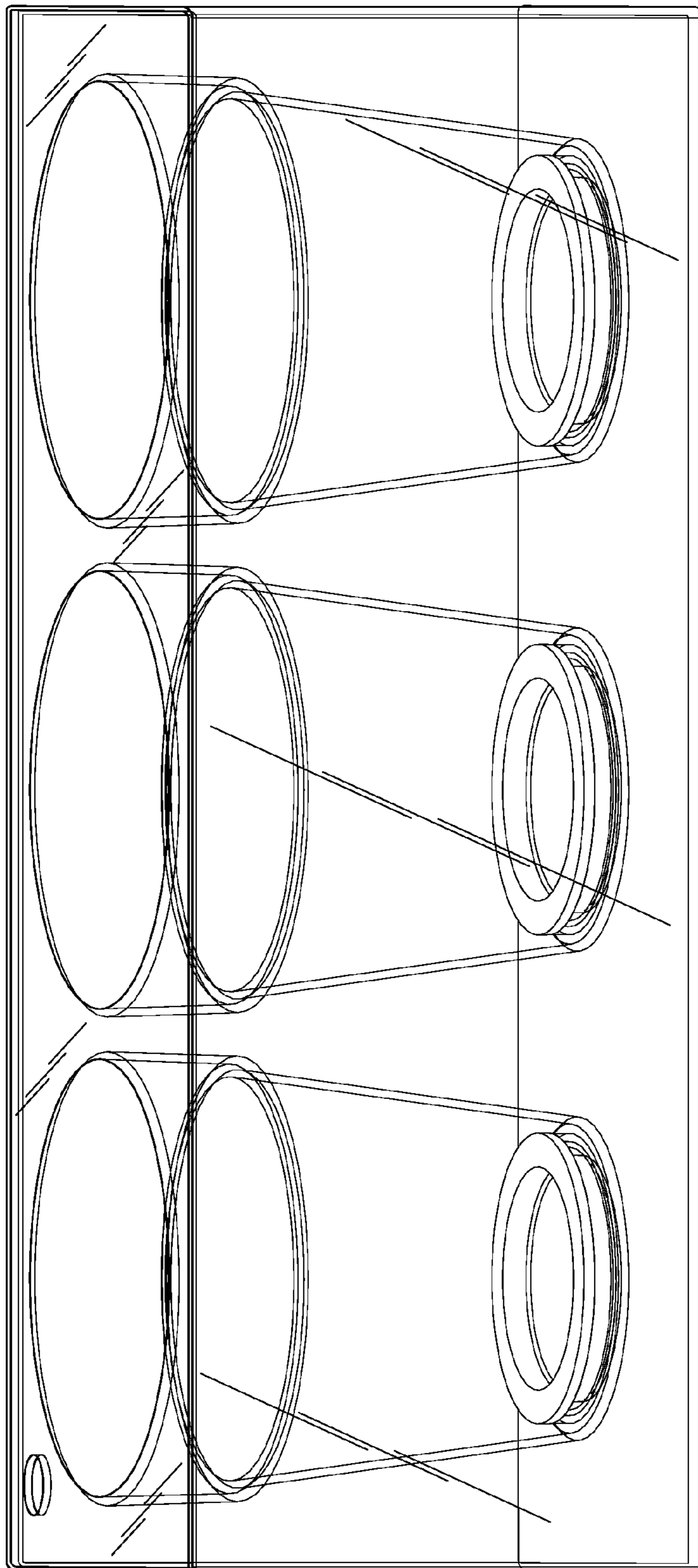


FIG. 3

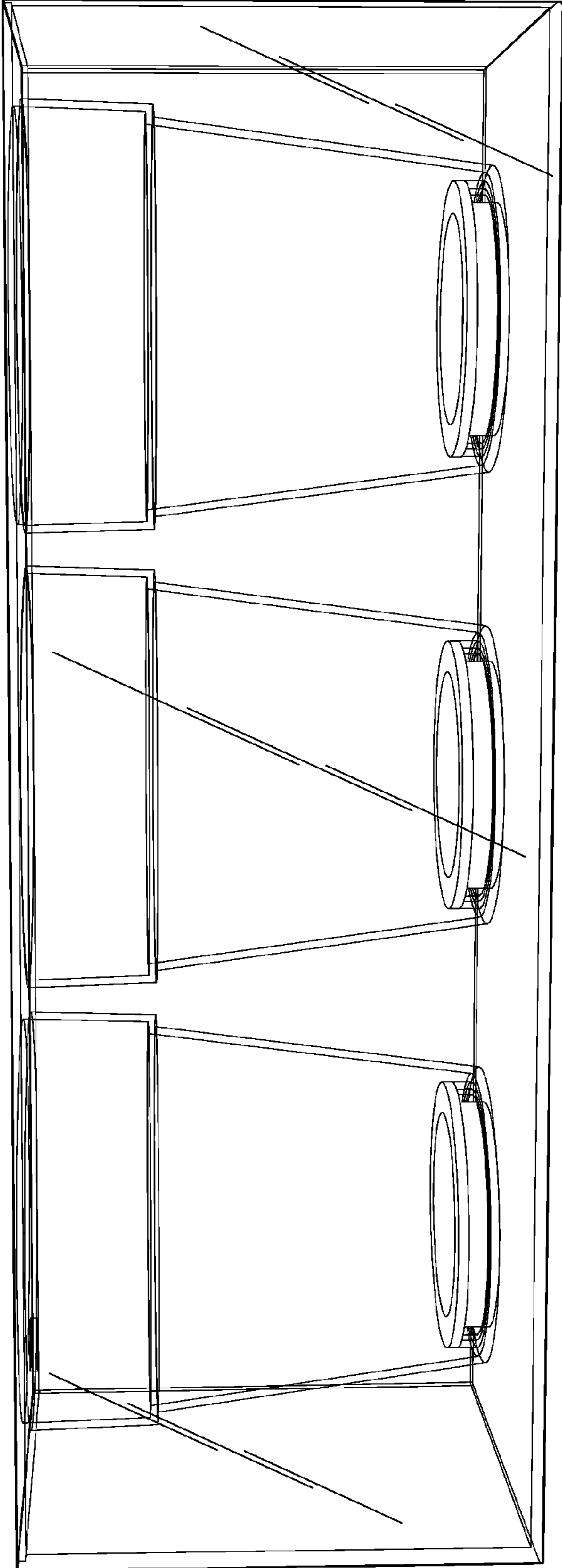


FIG. 4

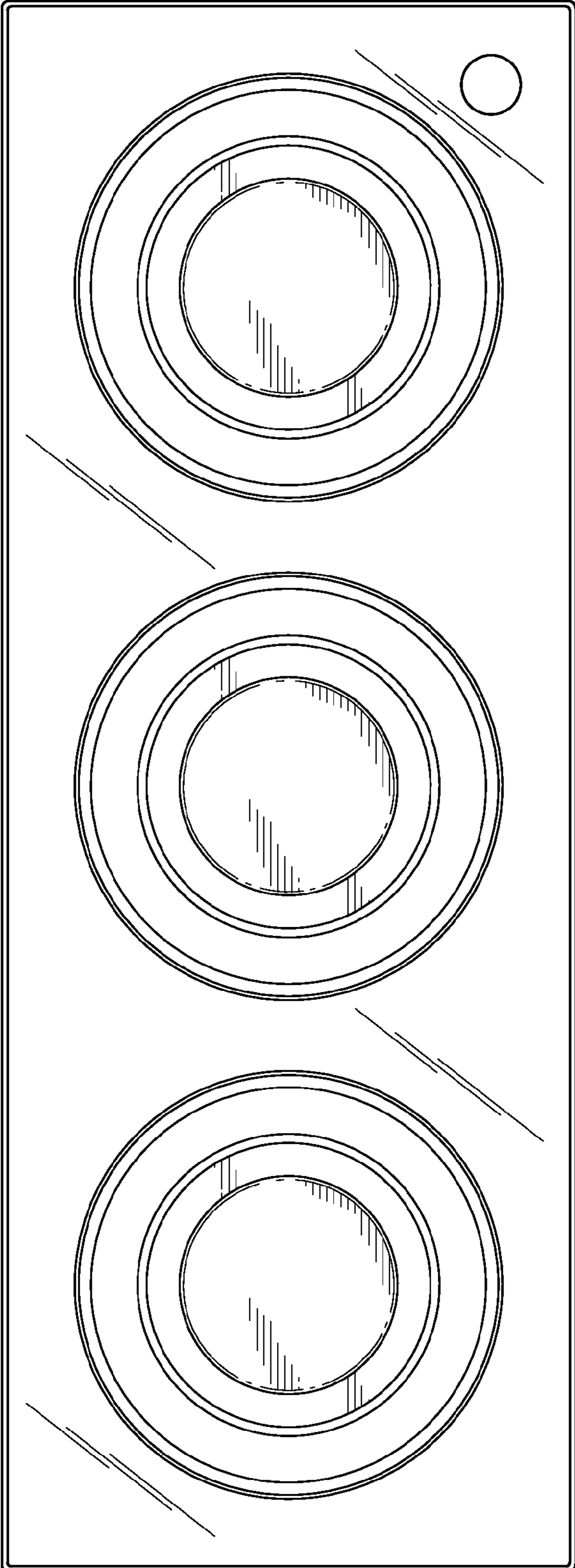


FIG. 5