



US00D745423S

(12) **United States Design Patent**  
**Khattak et al.**

(10) **Patent No.:** **US D745,423 S**

(45) **Date of Patent:** **\*\* Dec. 15, 2015**

(54) **AUTOMATED ANALYZER TEST CARTRIDGE  
AND SAMPLE COLLECTION DEVICE FOR  
ANALYTE DETECTION**

(71) Applicant: **Cue Inc.**, San Diego, CA (US)

(72) Inventors: **Ayub Khattak**, San Diego, CA (US);  
**Clinton Sever**, San Diego, CA (US)

(73) Assignee: **CUE INC.**, San Diego, CA (US)

(\*\*) Term: **14 Years**

(21) Appl. No.: **29/490,660**

(22) Filed: **May 12, 2014**

(51) **LOC (10) Cl.** ..... **10-04**

(52) **U.S. Cl.**

USPC ..... **D10/81; D24/129**

(58) **Field of Classification Search**

USPC ..... D10/81; D24/129

CPC ..... G01N 35/08; G01N 33/542; G01N 21/64;

G01N 33/48; G01N 1/00; G01N 21/00;

G01N 33/543; B01L 3/00; C40B 30/04;

C12M 1/34

See application file for complete search history.

(56) **References Cited**

**U.S. PATENT DOCUMENTS**

D298,166	S	*	10/1988	Chennault	.....	D24/186
D302,585	S	*	8/1989	Elliott	.....	D24/177
5,708,247	A		1/1998	McAleer et al.		
D472,975	S	*	4/2003	Iori et al.	.....	D24/224
6,893,879	B2		5/2005	Petersen et al.		
7,118,667	B2		10/2006	Lee		

(Continued)

**FOREIGN PATENT DOCUMENTS**

WO	WO 2012/170703	A1	12/2012
WO	WO 2013/136115	A1	9/2013
WO	WO 2013/144643	A2	10/2013

**OTHER PUBLICATIONS**

Xpert® Flu; Cepheid: <http://www.cepheid.com/us/cepheid-solutions/clinical-ivd-tests/critical-infectious-diseases/xpert-flu>. Last Accessed May 5, 2014.

(Continued)

*Primary Examiner* — Antoine D Davis

(74) *Attorney, Agent, or Firm* — Foley & Lardner LLP;  
Antoinette F. Konski; Marshall J. Brown

(57) **CLAIM**

We claim the ornamental design for an automated analyzer, test cartridge, and sample collection device for analyte detection, as shown and described.

**DESCRIPTION**

FIG. 1A is a top, front, and left side perspective view of a first embodiment of an automated analyzer, test cartridge, and sample collection device for analyte detection;

FIG. 1B is a left side view thereof;

FIG. 1C is a right side view thereof;

FIG. 1D is a top view thereof;

FIG. 1E is a bottom view thereof;

FIG. 1F is a front view thereof;

FIG. 1G is a rear view thereof;

FIG. 2A is a top, front, and left side perspective view of a second embodiment of an automated analyzer, test cartridge, and sample collection device for analyte detection;

FIG. 2B is a left side view thereof;

FIG. 2C is a right side view thereof;

FIG. 2D is a top view thereof;

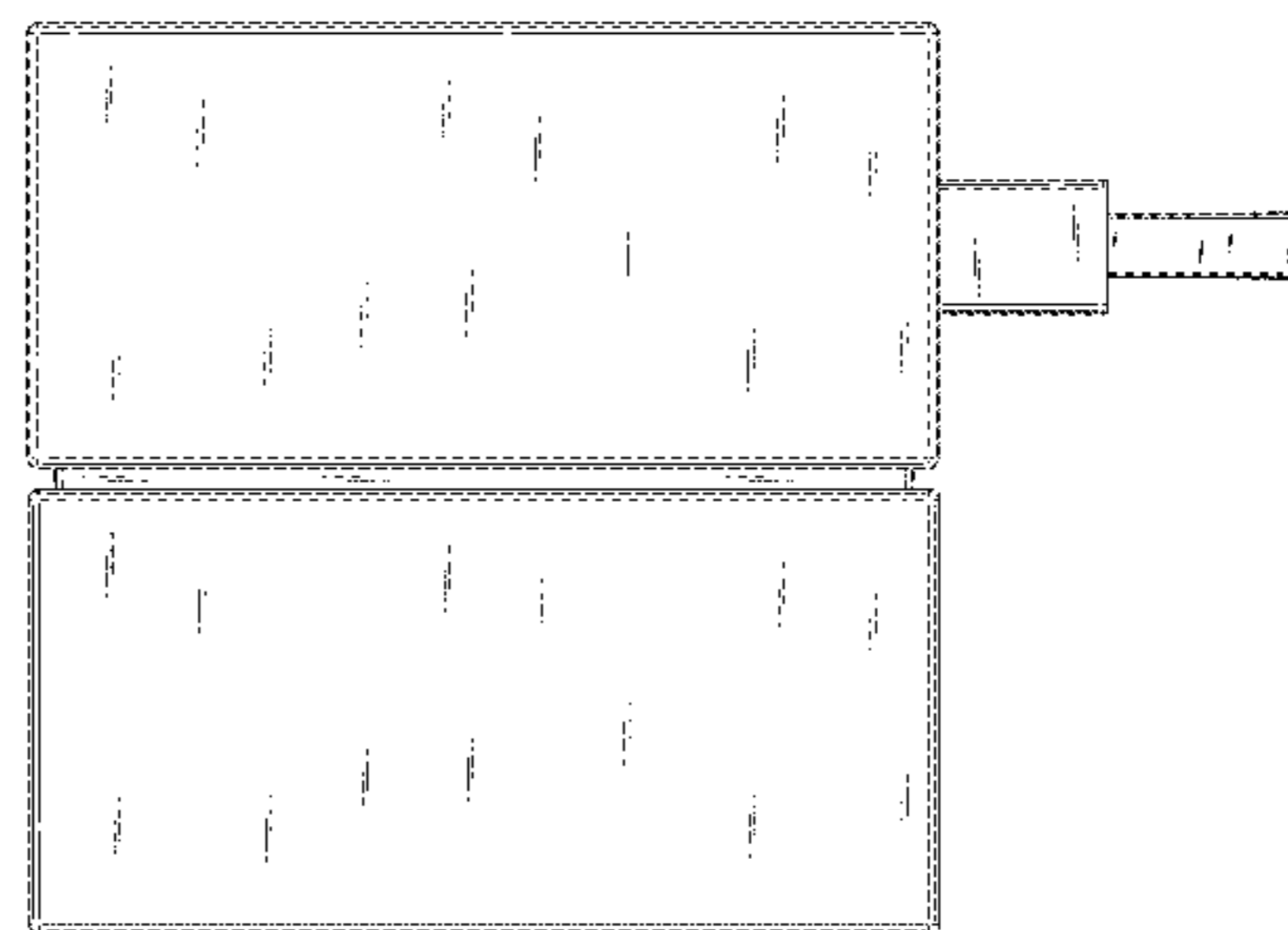
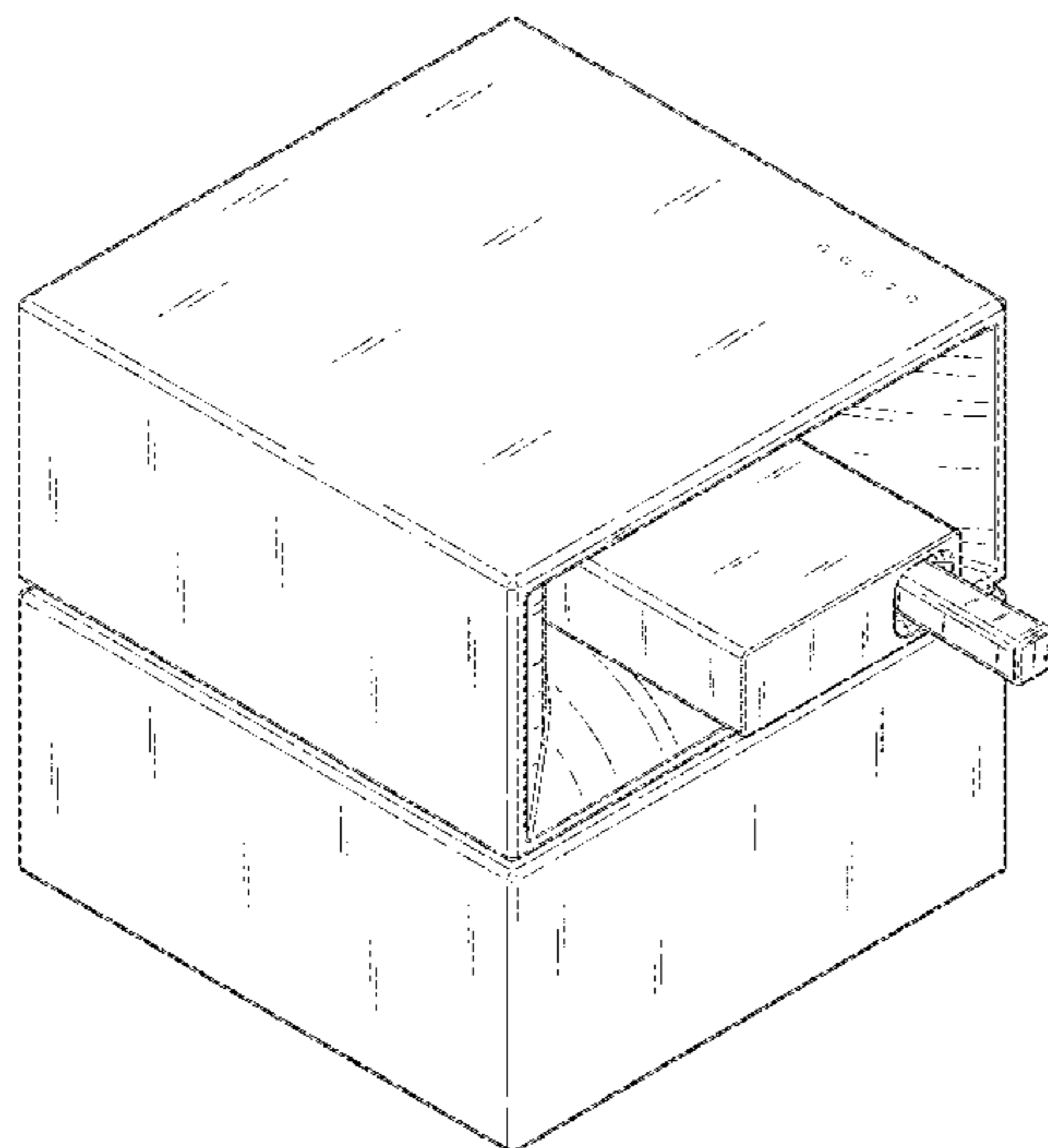
FIG. 2E is a bottom view thereof;

FIG. 2F is a front view thereof; and,

FIG. 2G is a rear view thereof.

The ornamental design which is claimed is shown in solid lines in the drawings. The broken lines in the drawings are for illustrative purposes only and form no part of the claimed design.

**1 Claim, 8 Drawing Sheets**



(56)

## References Cited

## U.S. PATENT DOCUMENTS

7,195,036	B2	3/2007	Burns et al.	
D542,931	S *	5/2007	Pukall et al.	D24/232
7,285,412	B2	10/2007	Casagrande et al.	
7,291,497	B2	11/2007	Holmes et al.	
7,432,106	B2	10/2008	Cox	
7,478,792	B2	1/2009	Oh et al.	
D591,864	S *	5/2009	Schmidt	D24/216
D600,578	S *	9/2009	Tsuji	D10/81
7,635,594	B2	12/2009	Holmes et al.	
7,888,125	B2	2/2011	Gibbons et al.	
7,981,696	B2	7/2011	Moreland et al.	
8,007,999	B2	8/2011	Holmes et al.	
8,008,034	B2	8/2011	Gibbons et al.	
8,012,744	B2	9/2011	Gibbons et al.	
D646,189	S *	10/2011	Dinter et al.	D10/81
8,071,054	B2	12/2011	Oh et al.	
8,101,402	B2	1/2012	Holmes	
8,202,697	B2	6/2012	Holmes	
8,216,832	B2	7/2012	Battrell et al.	
8,265,955	B2	9/2012	Michelson et al.	
8,283,155	B2	10/2012	Holmes et al.	
D679,025	S *	3/2013	Motadel et al.	D24/227
8,435,738	B2	5/2013	Holmes	
8,449,842	B2	5/2013	Knopp et al.	
8,470,524	B2	6/2013	Gibbons et al.	
8,475,739	B2	7/2013	Holmes et al.	
8,551,714	B2	10/2013	Jovanovich et al.	
8,562,918	B2	10/2013	Jovanovich et al.	
8,669,047	B2	3/2014	Holmes et al.	
8,679,407	B2	3/2014	Holmes et al.	
D707,847	S *	6/2014	Motadel et al.	D24/227
8,741,230	B2	6/2014	Holmes et al.	
8,778,665	B2	7/2014	Gibbons et al.	
D718,462	S *	11/2014	Cook et al.	D24/216
D719,666	S *	12/2014	Manian	D24/216
9,034,168	B2	5/2015	Khattak et al.	
9,052,275	B2	6/2015	Khattak et al.	
2002/0002326	A1	1/2002	Causey et al.	
2002/0137234	A1	9/2002	Wohlstadter et al.	
2003/0019522	A1	1/2003	Parunak	
2004/0173456	A1	9/2004	Boos et al.	
2005/0136529	A1	6/2005	Yang et al.	
2005/0178700	A1	8/2005	Tyvoll et al.	
2006/0131994	A1	6/2006	D'Angelico et al.	
2006/0243591	A1	11/2006	Plotkin et al.	
2008/0124779	A1	5/2008	Oh et al.	
2008/0160622	A1	7/2008	Su et al.	
2008/0160630	A1	7/2008	Liu et al.	
2008/0182301	A1	7/2008	Handique et al.	
2009/0061450	A1	3/2009	Hunter	
2010/0236340	A1	9/2010	Lee et al.	
2010/0331652	A1	12/2010	Groll et al.	
2011/0129841	A1	6/2011	Heid et al.	
2011/0165562	A1	7/2011	Pourahmadi et al.	
2011/0171754	A1	7/2011	Redmond et al.	
2012/0009588	A1	1/2012	Rajagopal et al.	
2012/0071342	A1	3/2012	Lochhead et al.	
2012/0164036	A1	6/2012	Stern et al.	
2012/0180580	A1	7/2012	Immink et al.	
2012/0267258	A1	10/2012	Uraoka et al.	
2012/0271127	A1	10/2012	Battrell et al.	
2013/0085680	A1	4/2013	Arlen et al.	
2013/0244339	A1	9/2013	Ehrenkranz et al.	
2013/0273528	A1	10/2013	Ehrenkranz	
2013/0309778	A1	11/2013	Lowe et al.	
2014/0027286	A1	1/2014	Ikegami et al.	
2014/0030717	A1	1/2014	Zhong et al.	

## OTHER PUBLICATIONS

The FilmArray System; Biofire Diagnostics, Inc.: <http://filmarray.com/the-panels/>. Last Accessed May 5, 2014.

Clinical IVD Products: Liat™ Analyzer; IQuum, Inc.: <http://www.iquum.com/products/analyzer.shtml>. Last Accessed May 5, 2014.

Simplexa™ Flu A/B & RSV Direct Kit; Focus Diagnostics, Inc.: <https://www.focusdx.com/product/MOL2650>. Last Accessed May 5, 2014.

Liu, R.H. et al.; Self-Contained, Fully Integrated Biochip for Sample Preparation, Polymerase Chain Reaction Amplification, and DNA Microarray Detection; *Analytical Chemistry*; Apr. 1, 2004; vol. 76, No. 7.

Wang, J. et al.; Self-Actuated, Thermo-Responsive Hydrogel Valves for Lab on a Chip; *Biomedical Microdevices*; Dec. 2007; vol. 7, No. 4, pp. 313-322.

Anderson, et al.; Thermally-Actuated Microfluidic Systems; *J. Assoc. Laboratory Automation*; Apr. 2008; vol. 13, pp. 65-72.

Beyor, et al.; Immunomagnetic Bead-Based Cell Concentration Microdevice for Dilute Pathogen Detection; *Biomed Microdevices*; 2008; vol. 10, pp. 909-917.

Chen, et al.; Thermally-Actuated, Phase Change Flow Control for Microfluidic Systems; *Lab Chip*; 2005; vol. 5, pp. 1277-1285.

Cho, et al.; How the Capillary Burst Microvalve Works; *J. of Colloid and Interface Science*; 2007; vol. 306, pp. 379-385.

Fan, et al.; Integrated Barcode Chips for Rapid, Multiplexed Analysis of Proteins in Microliter Quantities of Blood; *Nature Biotechnology*; Dec. 2008; vol. 26, No. 12, pp. 1373-1378.

Ferguson, et al.; Integrated Microfluidic Electrochemical DNA Sensor; *Analytical Chemistry*; Aug. 1, 2009; vol. 81, No. 15, pp. 6503-6508.

Henares, et al.; Integration of Multianalyte Sensing Functions on a Capillary-Assembled Microchip: Simultaneous Determination of Ion Concentrations and Enzymatic Activities by a "Drop-and-Sip" Technique; *Analytical Chemistry*; Feb. 1, 2007; vol. 79, No. 3, pp. 908-915.

Jagannathan, et al.; Micro-Fluidic Channels with Integrated Ultrasonic Transducers; *IEEE Ultrasonics Symposium*; 2001; pp. 859-862.

Kaigala, et al.; Electrically Controlled Microvalves to Integrate Microchip Polymerase Chain Reaction and Capillary Electrophoresis; *Lab Chip*; 2008; vol. 8, pp. 1071-1078.

Kim, et al.; A Bi-Polymer Micro One-Way Valve; *Sensors and Actuators A*; 2007; vol. 136, pp. 426-433.

Kinoshita, et al.; Functionalization of Magnetic Gold/Iron-Oxide Composite Nanoparticles with Oligonucleotides and Magnetic Separation of Specific Target; *J. of Magnetism and Magnetic Materials*; 2007; vol. 311, pp. 255-258.

Kwakye, et al.; Electrochemical Microfluidic Biosensor for Nucleic Acid Detection with Integrated Minipotentostat; *Biosensors and Bioelectronics*; 2006; vol. 21, pp. 2217-2223.

Laschi, et al.; A New Gravity-Driven Microfluidic-Based Electrochemical Assay Coupled to Magnetic Beads for Nucleic Acid Detection; *Electrophoresis*; 2010; vol. 31, pp. 3727-3736.

Lawi, et al.; A Microfluidic Cartridge System for Multiplexed Clinical Analysis; *J. Assoc. Laboratory Automation*; Dec. 1, 2009; vol. 14, No. 6, pp. 407-412.

Lee, et al.; Microelectromagnets for the Control of Magnetic Nanoparticles; *Applied Physics Letters*; Nov. 2001; vol. 79, No. 20, pp. 3308-3310.

Lillehoj, et al.; A Self-Pumping Lab-on-a-Chip for Rapid Detection of Botulinum Toxin; *Lab Chip*; 2010; vol. 10, pp. 2265-2270.

Liu, et al.; Single-use, Thermally Actuated Paraffin Valves for Microfluidic Applications; *Sensors and Actuators B*; 2004; vol. 98, pp. 328-336.

Liu, et al.; Self-Contained, Fully Integrated Biochip for Sample Preparation, Polymerase Chain Reaction Amplification, and DNA Microarray Detection; *Analytical Chemistry*; Apr. 2004; vol. 76, No. 7, pp. 1824-1831.

Marentis, et al.; Microfluidic Sonicator for Real-Time Disruption of Eukaryotic Cells and Bacterial Spores for DNA Analysis; *Ultrasound in Med. & Biol.*; 2005; vol. 31, No. 9, pp. 1265-1277.

Mrksich, et al.; Using Self-Assembled Monolayers that Present Oligo(ethylene glycol) Groups to Control the Interactions of Proteins with Surfaces; *American Chemical Society Symposium Series*; 1997; vol. 680, pp. 361-373.

Rida, et al.; Manipulation of Self-Assembled Structures of Magnetic Beads for Microfluidic Mixing and Assaying; *Analytical Chemistry*; Nov. 2004, vol. 76, No. 21, pp. 6239-6246.

(56)

**References Cited**

## OTHER PUBLICATIONS

Rodaree, et al.; DNA Hybridization Enhancement Using Piezoelectric Microagitation through a Liquid Coupling Medium; *Lab Chip*; 2011; doi:10.1039/C0LC00419G.

Sharma, et al.; Surface Characterization of Plasma-Treated and PEG-Grafted PDMS for Micro Fluidic Applications; *Vacuum*; 2007; vol. 81, pp. 1094-1100.

Shin, et al., Chemistries for Patterning Robust DNA MicroBarcodes Enable Multiplex Assays of Cytoplasm Proteins from Single Cancer Cells; *ChemPhysChem*; 2010; vol. 11, pp. 3063-3069.

Taylor, et al.; Lysing Bacterial Spores by Sonication through a Flexible Interface in a Microfluidic System; *Analytical Chemistry*; Feb. 2001; vol. 73, No. 3, pp. 492-496.

Wang, et al.; Portable Electrochemical Systems; *Trends in Analytical Chemistry*; 2002; vol. 21, No. 4, pp. 226-232.

Wang, et al.; A Self-Powered, One-Step Chip for Rapid, Quantitative and Multiplexed Detection of Proteins from Pinpricks of Whole Blood; *Lab Chip*; 2010; vol. 10, pp. 3157-3162.

Wu, et al.; Ultrasonication on a Microfluidic Chip to Lyse Single and Multiple Pseudo-Nitzschia for Marine Biotoxin Analysis; *Biotechnology Journal*; 2011; vol. 6, pp. 150-155.

Ziegler, et al.; High-Performance Immunoassays Based on Through-Stencil Patterned Antibodies and Capillary Systems; *Analytical Chemistry*; Mar. 2008; vol. 80, No. 5, pp. 1763-1769.

International Search Report and Written Opinion of the International Search Authority for PCT/US2014/023821 dated Jul. 7, 2014.

U.S. Appl. No. 14/205,146, filed Mar. 11, 2014, Cue Inc.

U.S. Appl. No. 14/599,365, filed Jan. 16, 2015, Cue Inc.

U.S. Appl. No. 14/599,369, filed Jan. 16, 2015, Cue Inc.

U.S. Appl. No. 14/599,372, filed Jan. 16, 2015, Cue Inc.

U.S. Appl. No. 14/599,375, filed Jan. 16, 2015, Cue Inc.

Checchet, F. et al. (2006) "Redox Mediation at 11-Mercaptoundecanoic Acid Self-Assembled Monolayers on Gold," *J. Phys. Chem. B* 110:2241-2248.

Yoshioka, K. et al. (2010) "Suppression of Non-specific Adsorption Using Densified Tri(ethylene glycol) Alkanethiols: Monolayer Characteristics Evaluated by Electrochemical Measurements," *Analytical Sciences* 26:33-37.

Non-Final Office Action in U.S. Appl. No. 14/205,146, dated Sep. 26, 2014, 6 pages.

Final Office Action in U.S. Appl. No. 14/205,146, dated Apr. 3, 2015, 8 pages.

Non-Final Office Action in U.S. Appl. No. 14/479,149, dated Jan. 13, 2015, 17 pages.

Non-Final Office Action in U.S. Appl. No. 14/543,842, dated Feb. 12, 2015, 11 pages.

Notice of Allowance in U.S. Appl. No. 14/479,149, dated Mar. 6, 2015, 13 pages.

Notice of Allowance in U.S. Appl. No. 14/543,842, dated Apr. 24, 2015, 8 pages.

Notice of Allowance in U.S. Appl. No. 14/599,365, dated May 1, 2015, 8 pages.

Restriction Requirement in U.S. Appl. No. 14/599,369, dated May 7, 2015, 6 pages.

Non-Final Office Action in U.S. Appl. No. 14/599,372, dated Mar. 27, 2015, 11 pages.

Non-Final Office Action in U.S. Appl. No. 14/599,375, dated Jun. 19, 2015, 15 pages.

Non-Final Office Action dated Aug. 18, 2015 in U.S. Appl. No. 14/599,369.

US Notice of Allowance dated Aug. 26, 2015 in U.S. Appl. No. 14/599,375.

US Notice of Allowance dated Sep. 14, 2015 in U.S. Appl. No. 14/599,372.

US Notice of Allowance dated Oct. 22, 2015 in U.S. Appl. No. 14/205,146.

\* cited by examiner

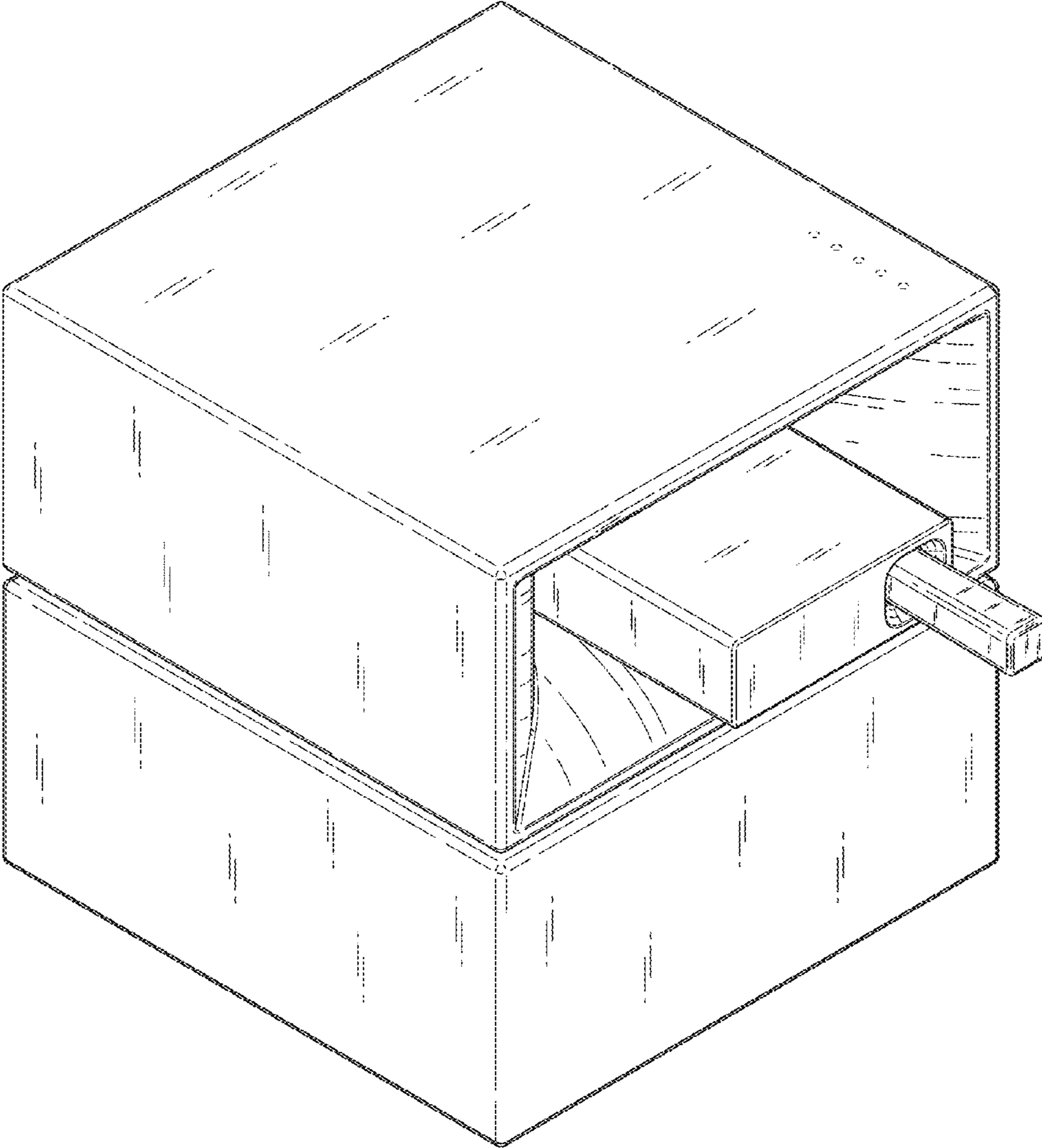


FIG. 1A

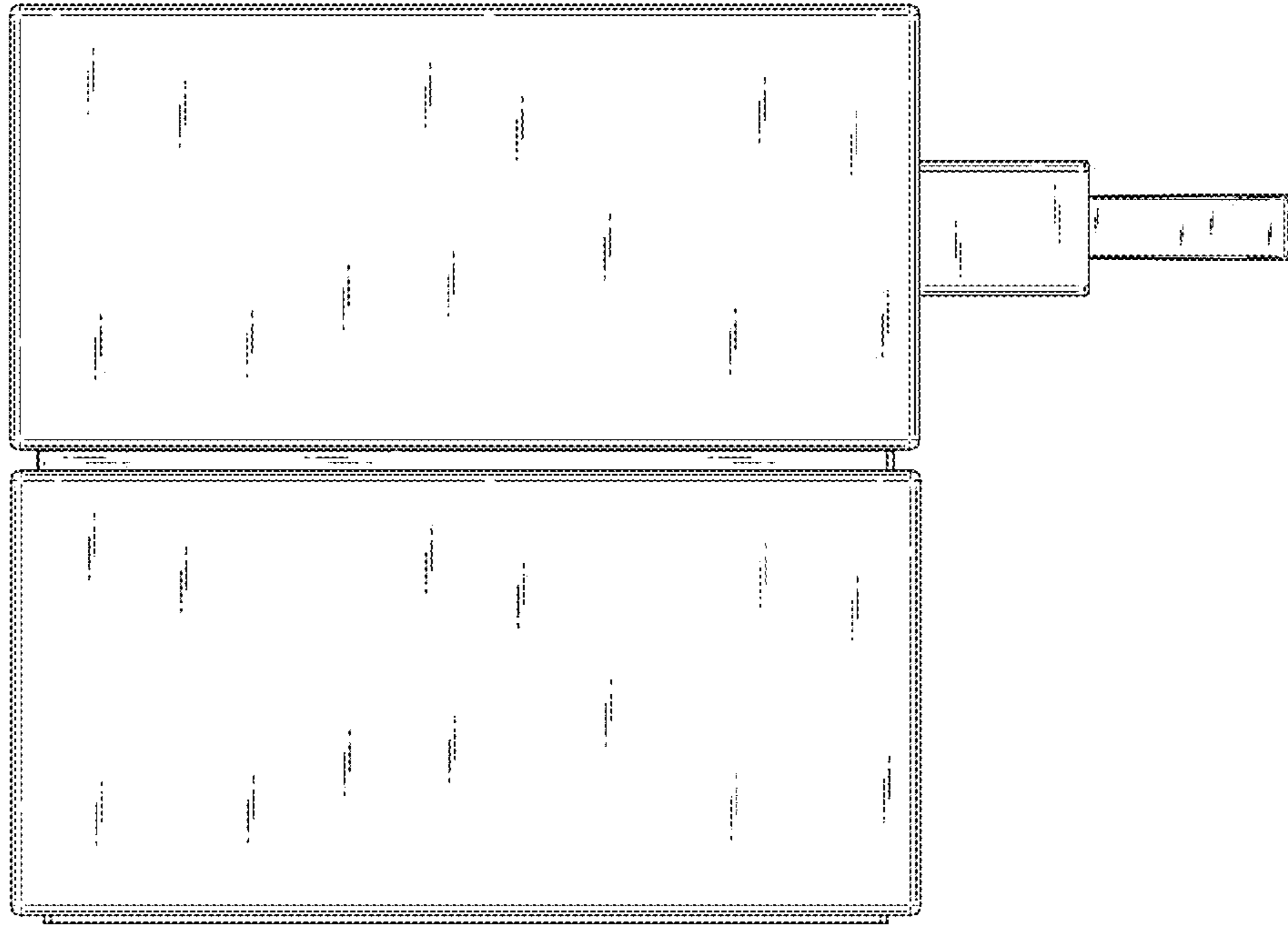


FIG. 1B

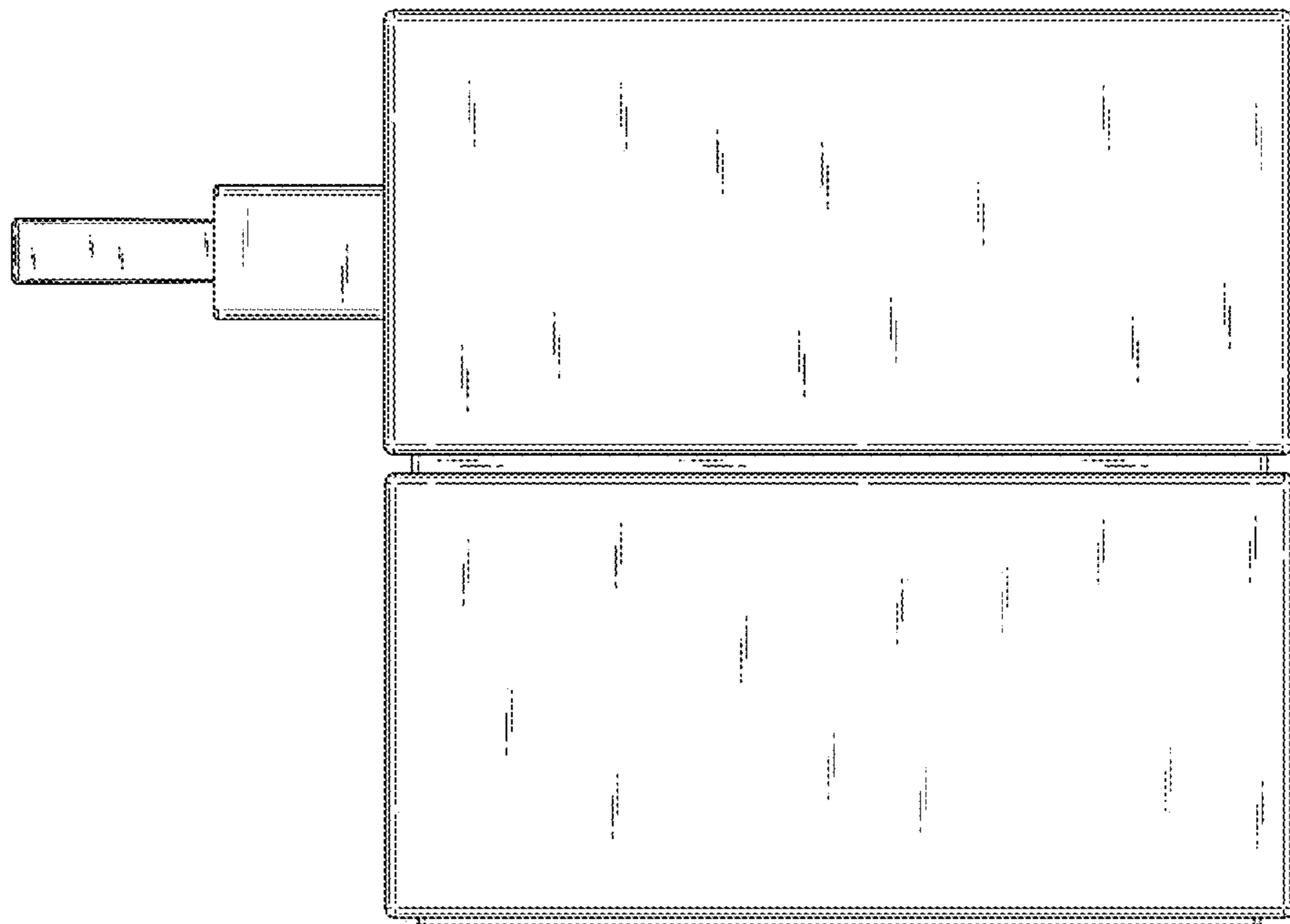


FIG. 1C

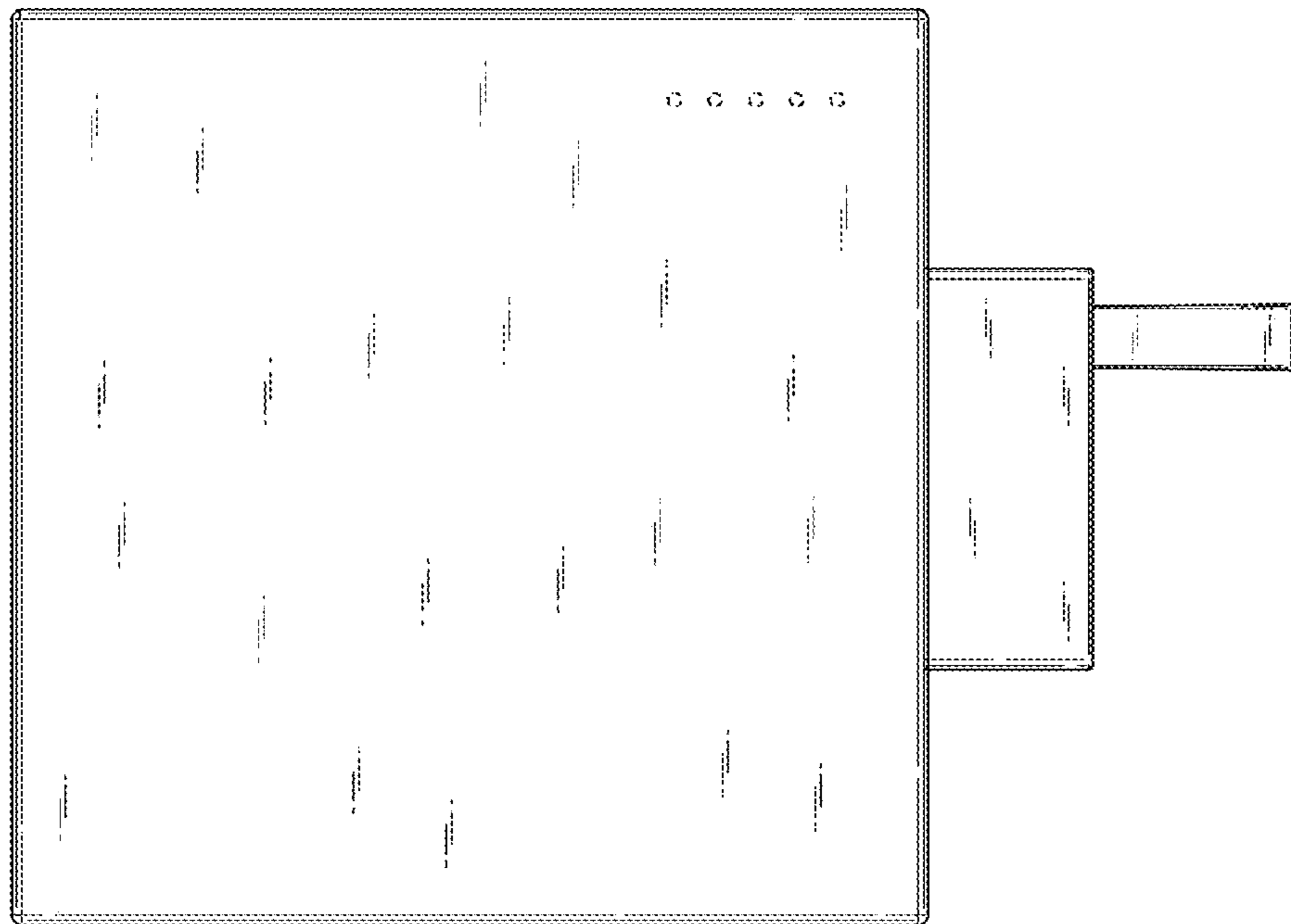


FIG. 1D

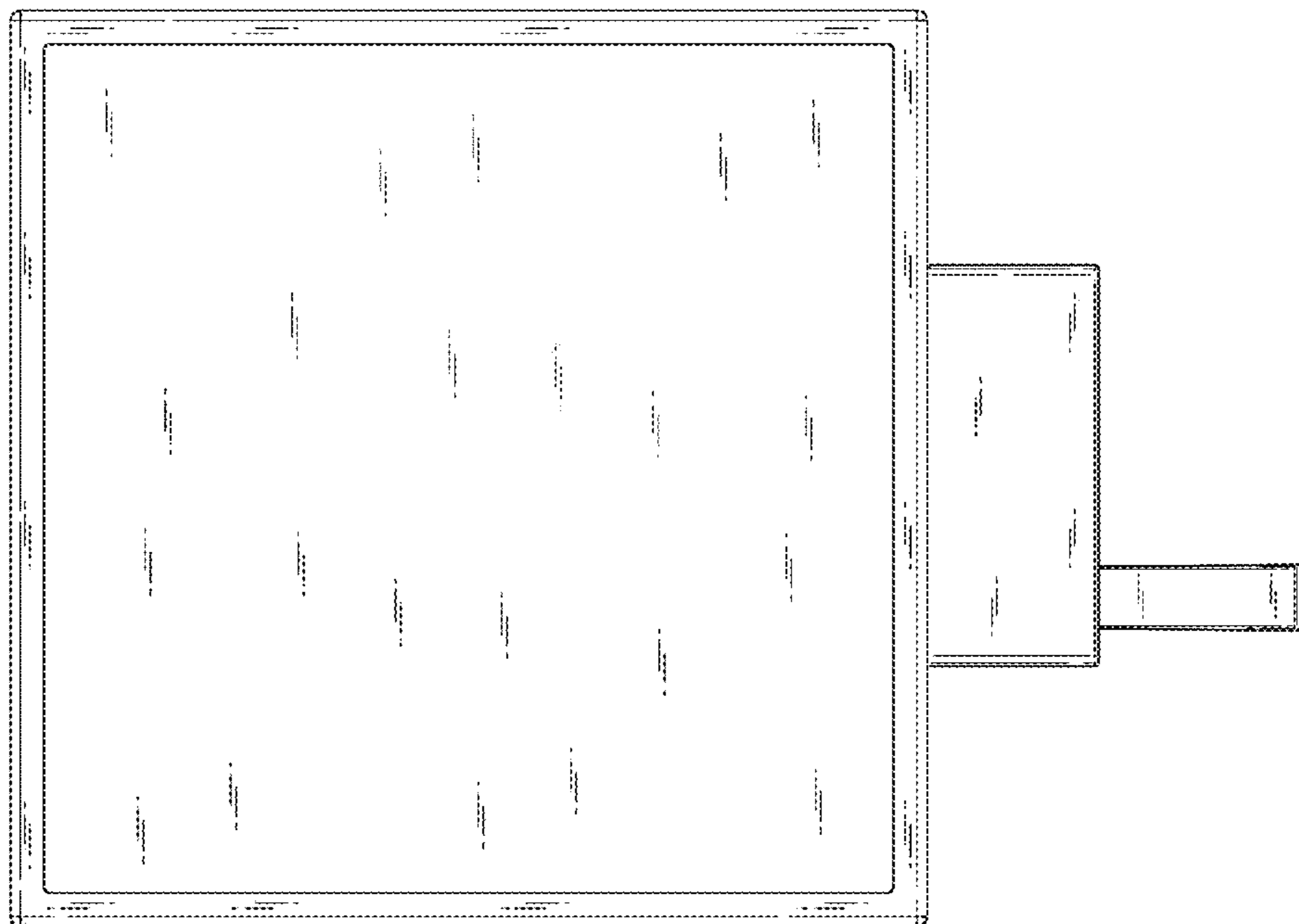


FIG. 1E

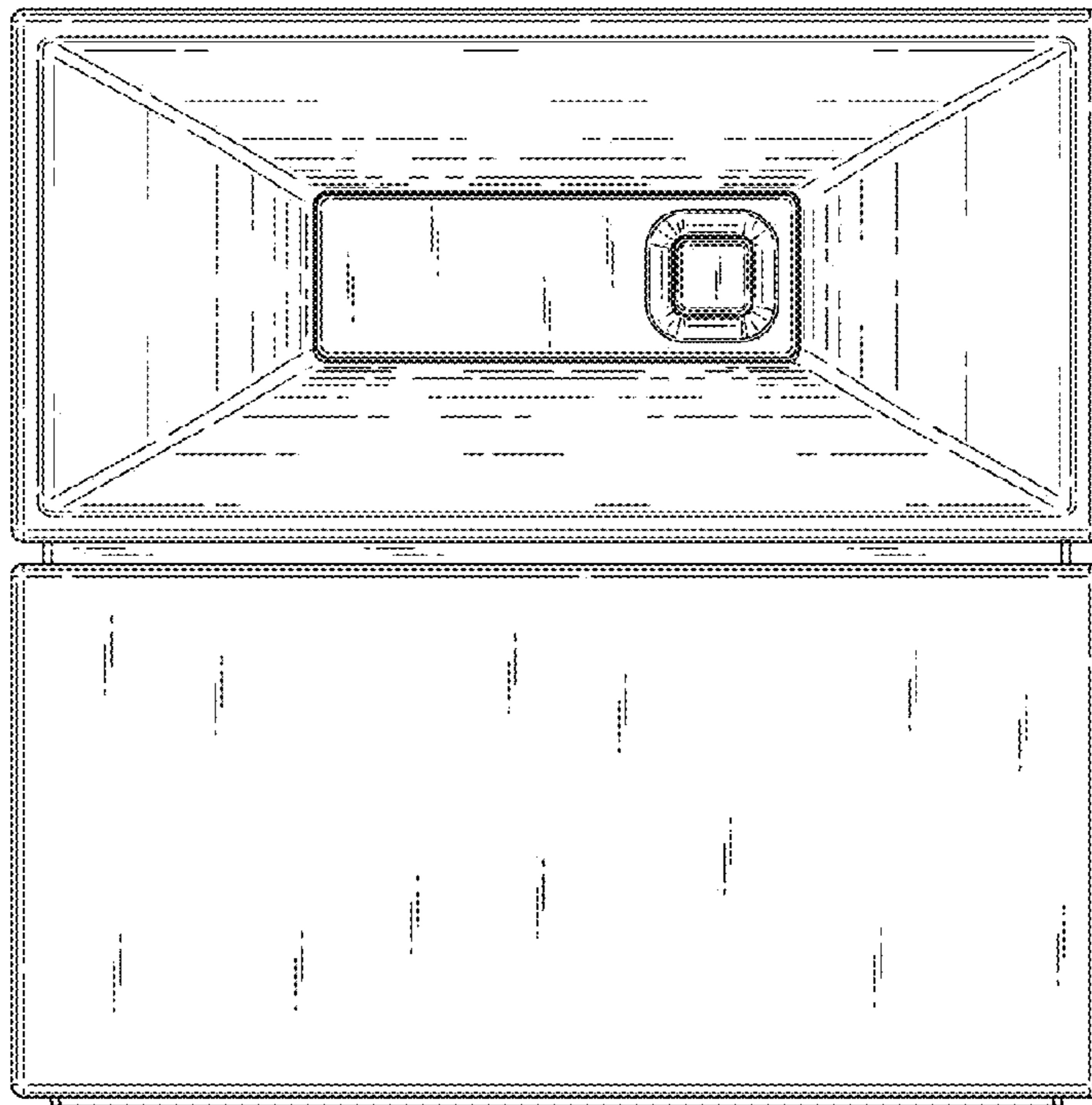


FIG. 1F

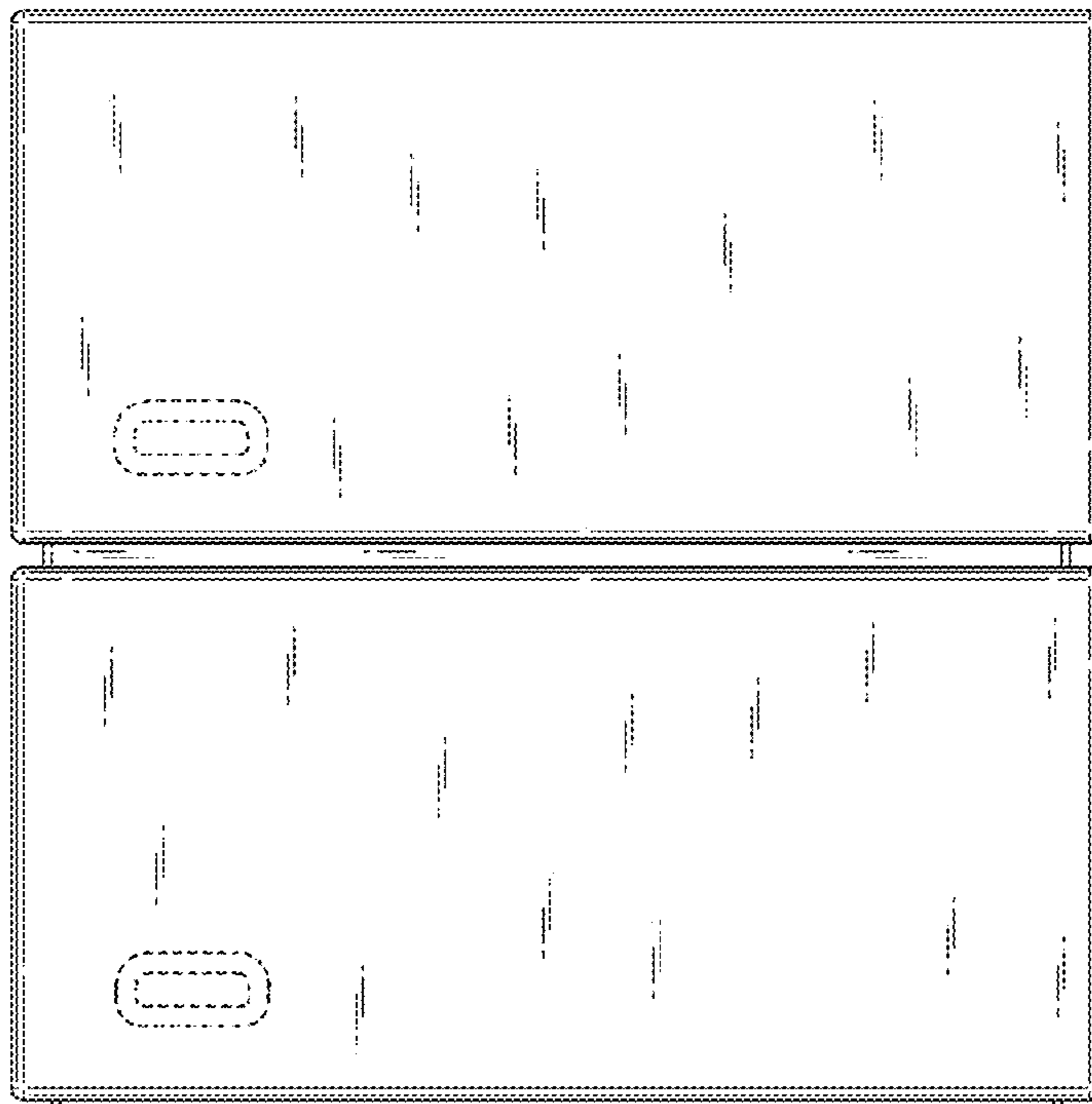


FIG. 1G

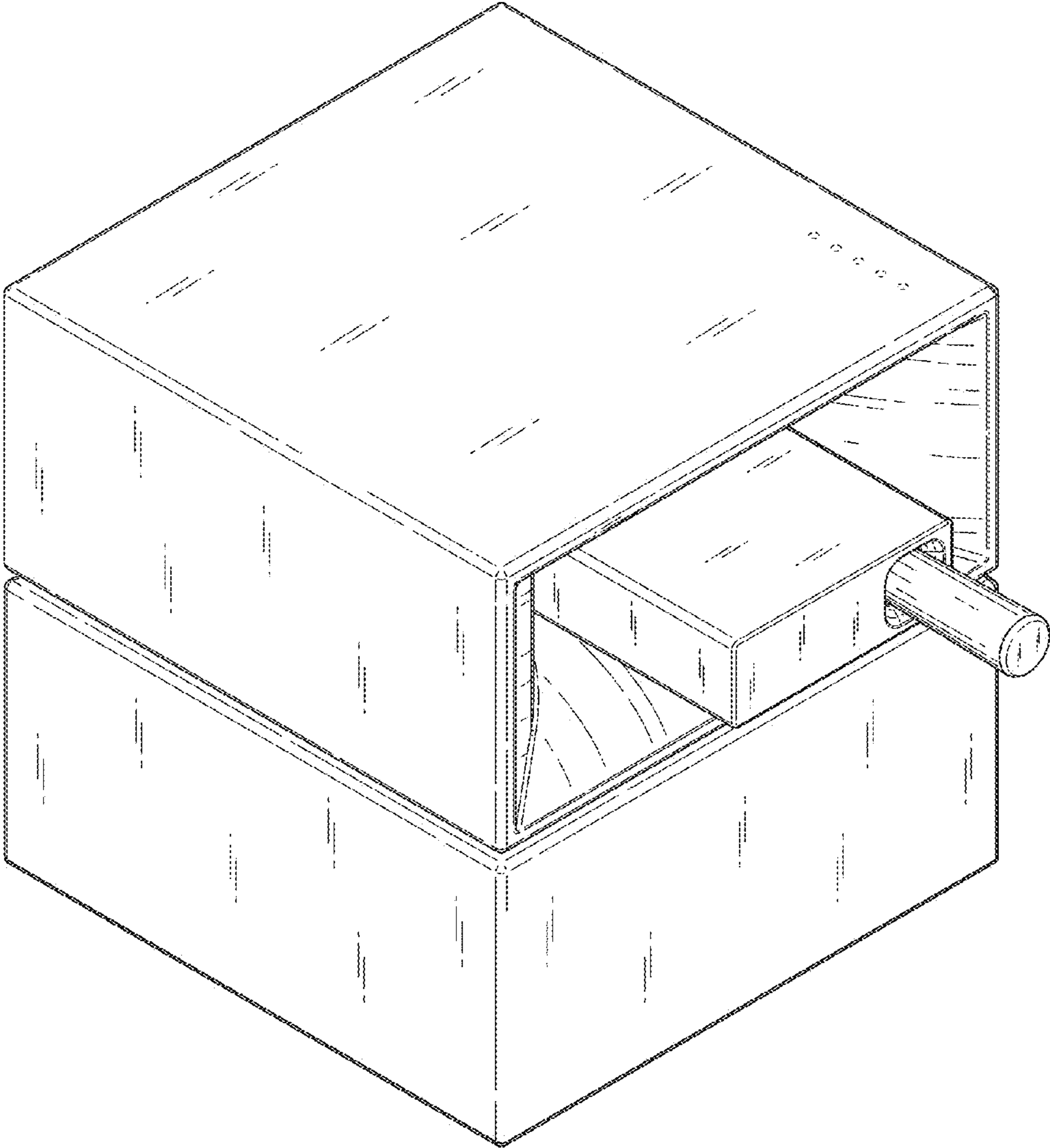


FIG. 2A



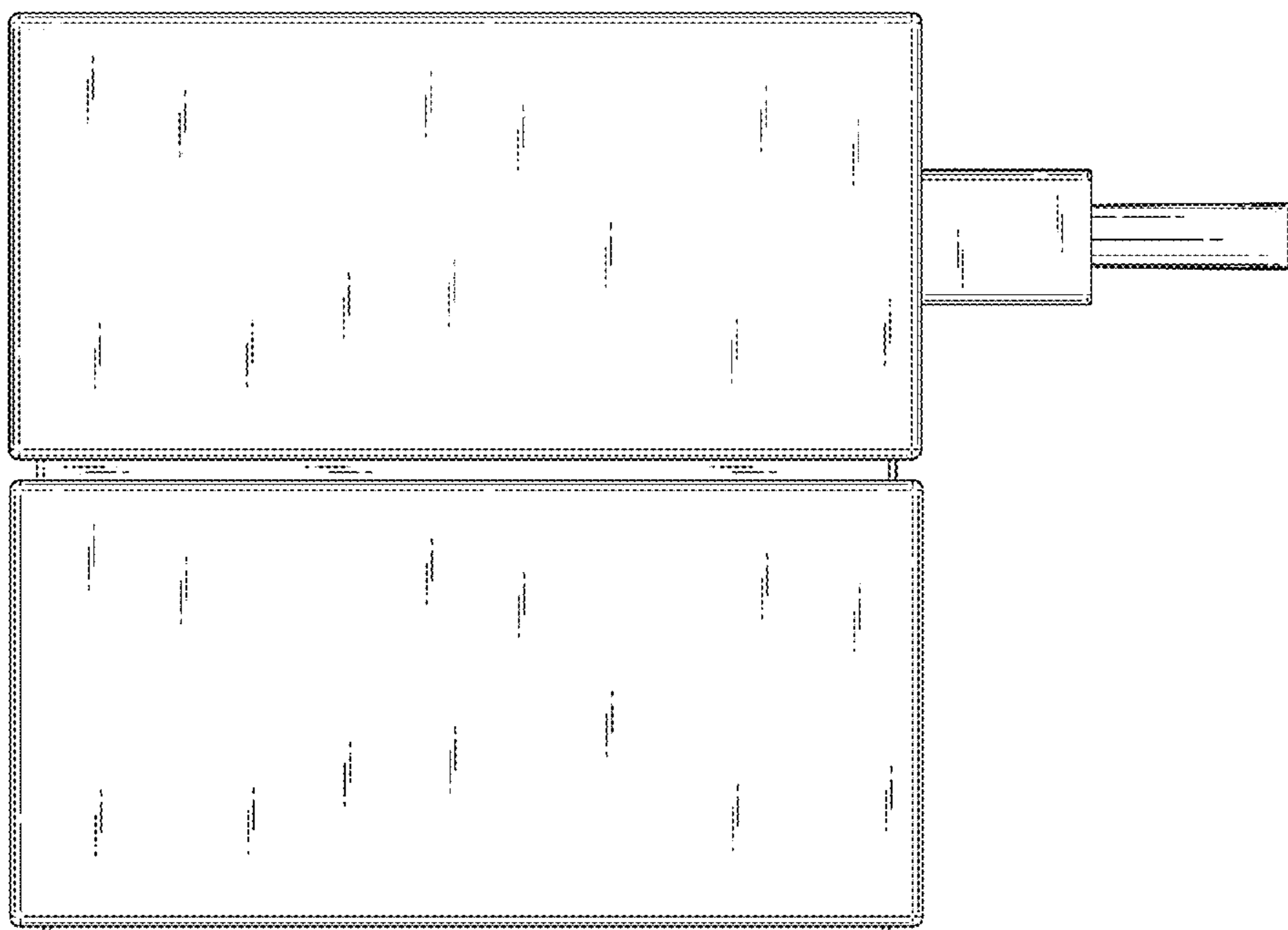


FIG. 2B

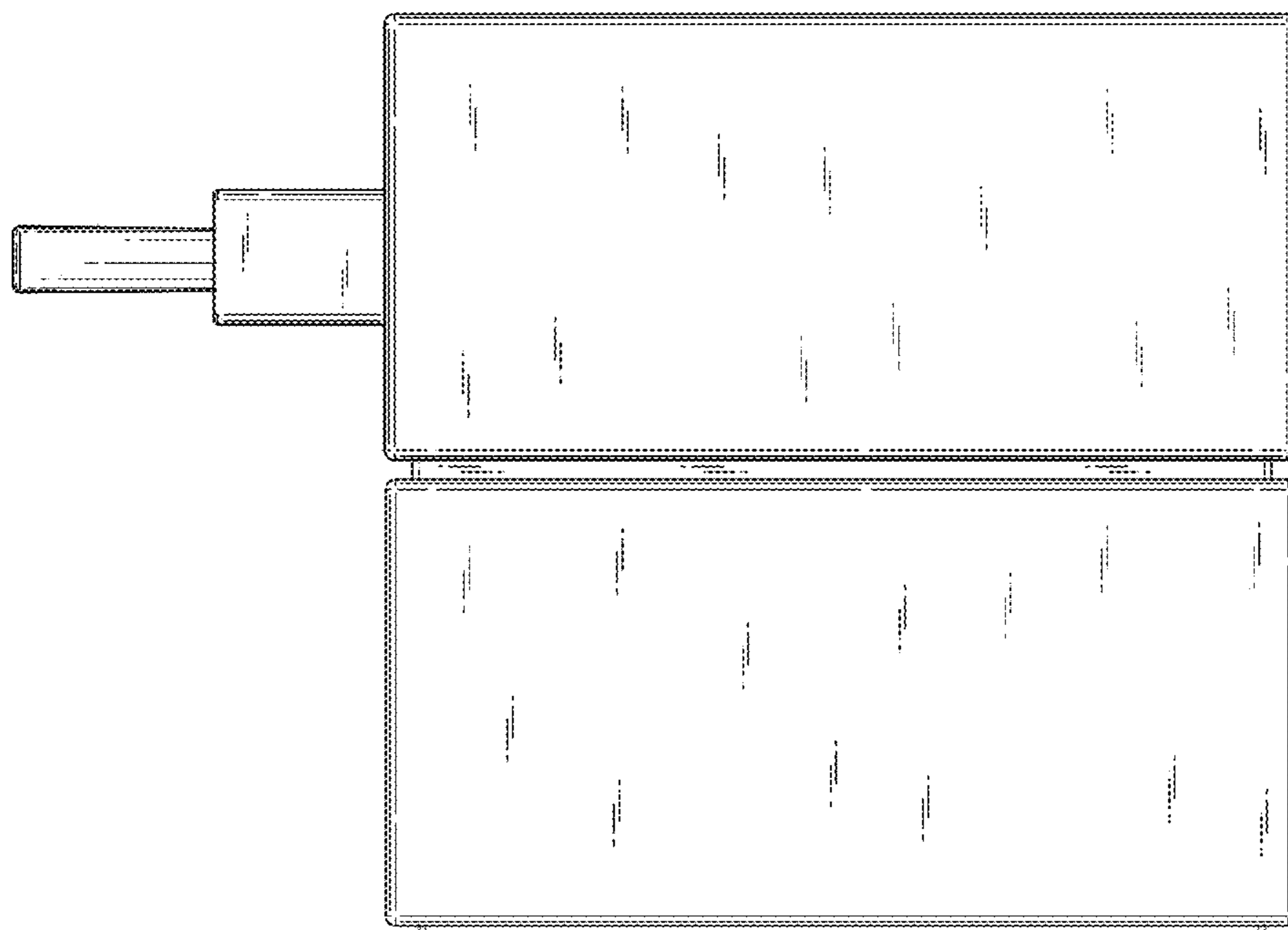


FIG. 2C

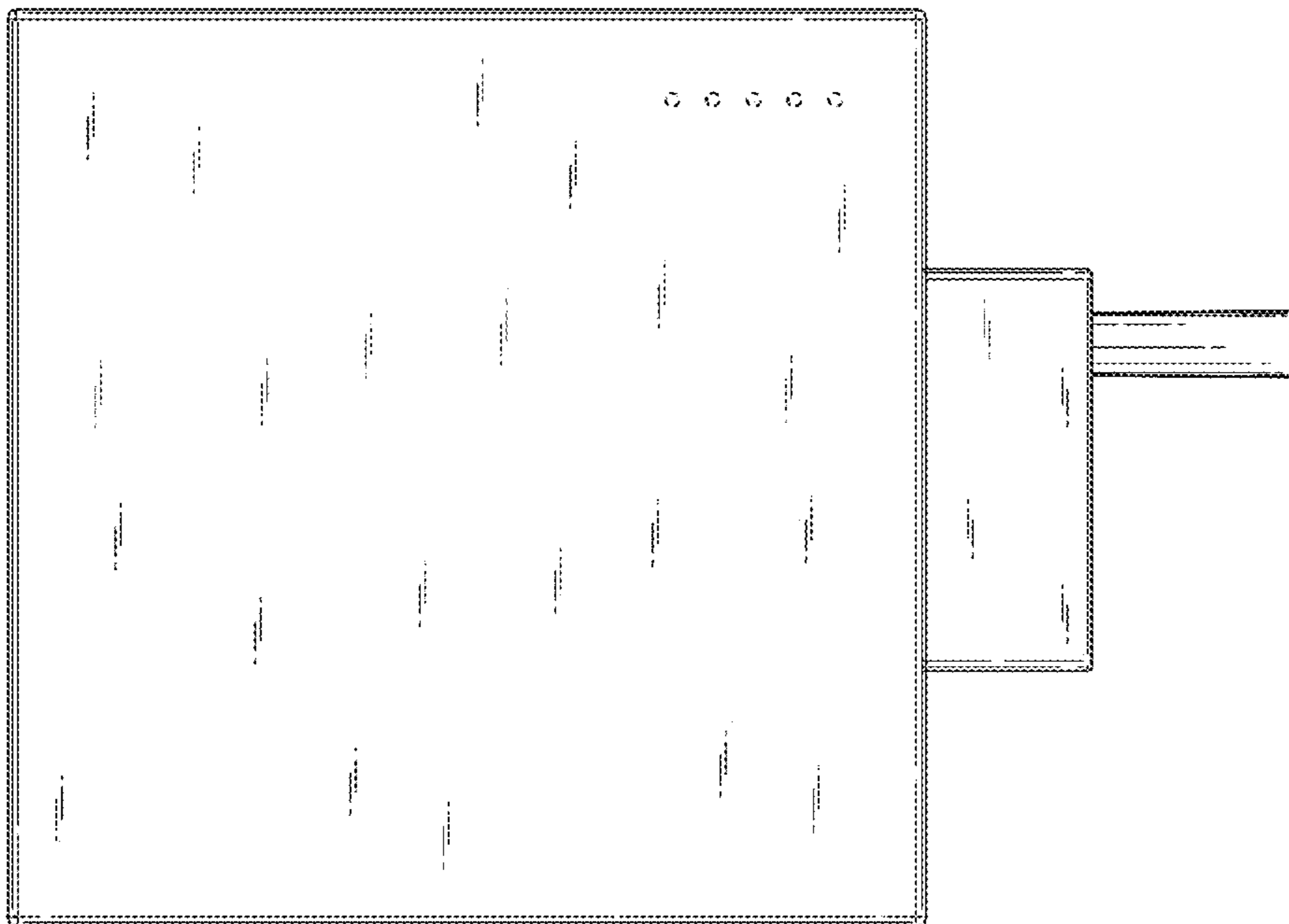


FIG. 2D

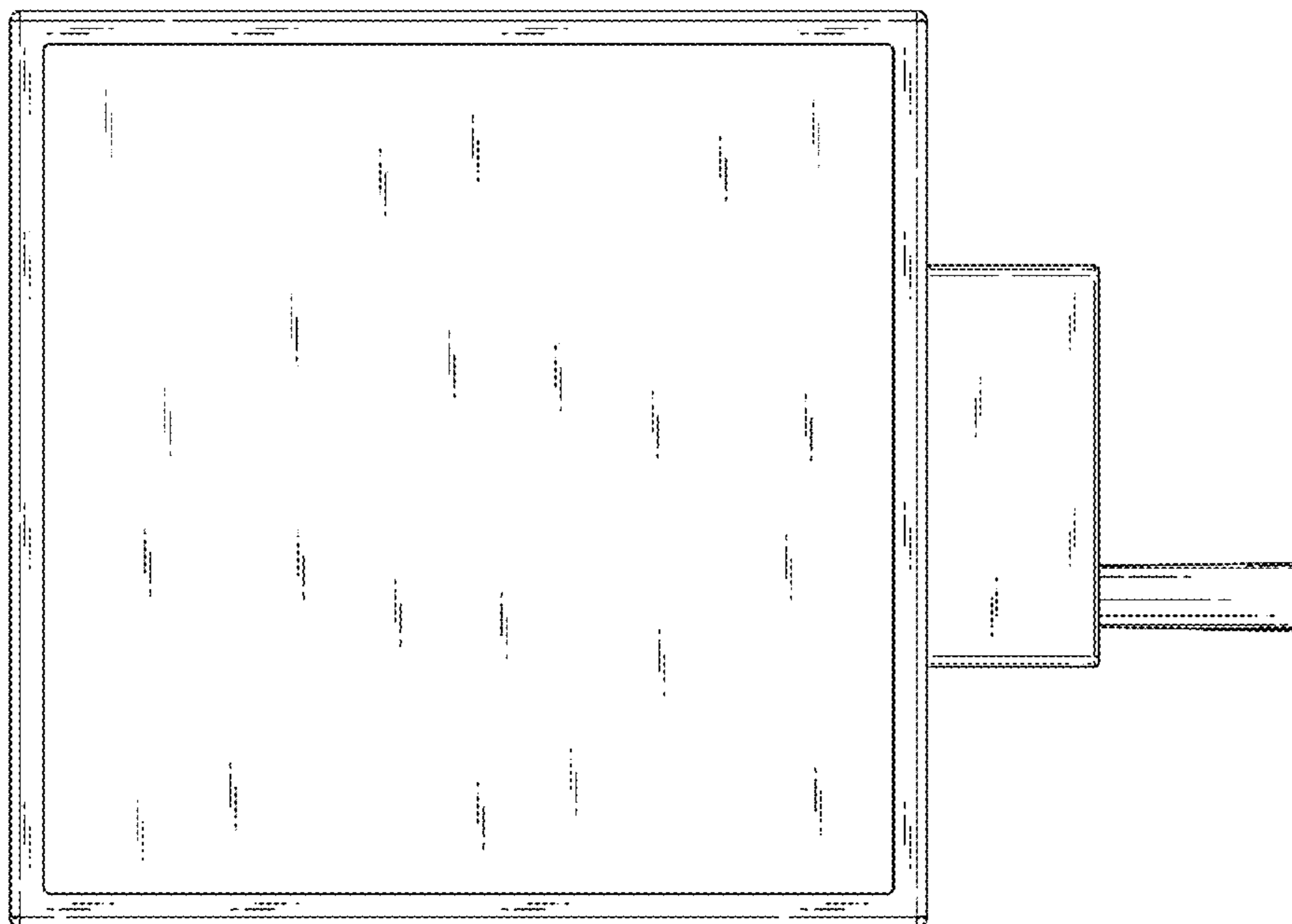


FIG. 2E

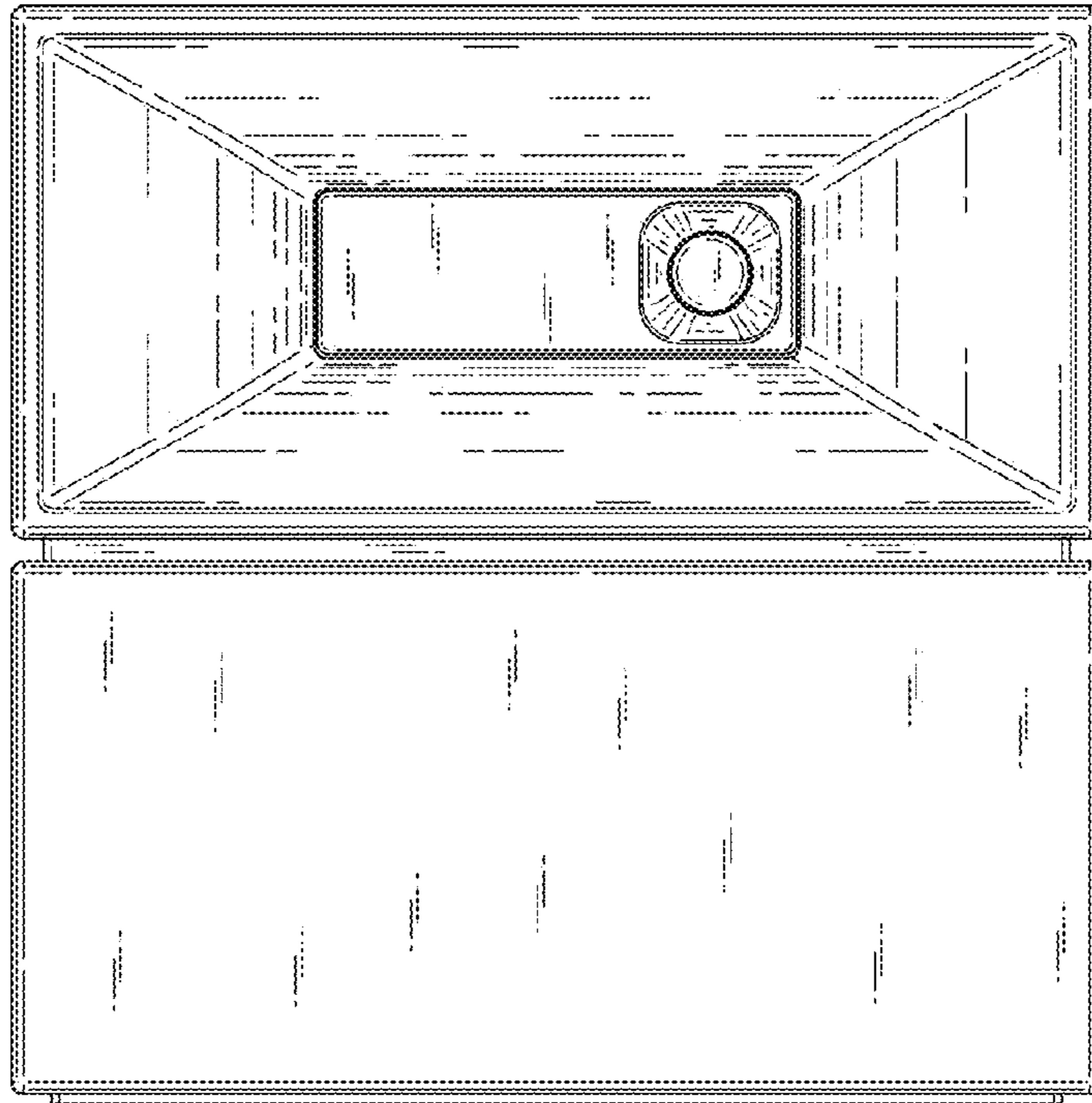


FIG. 2F

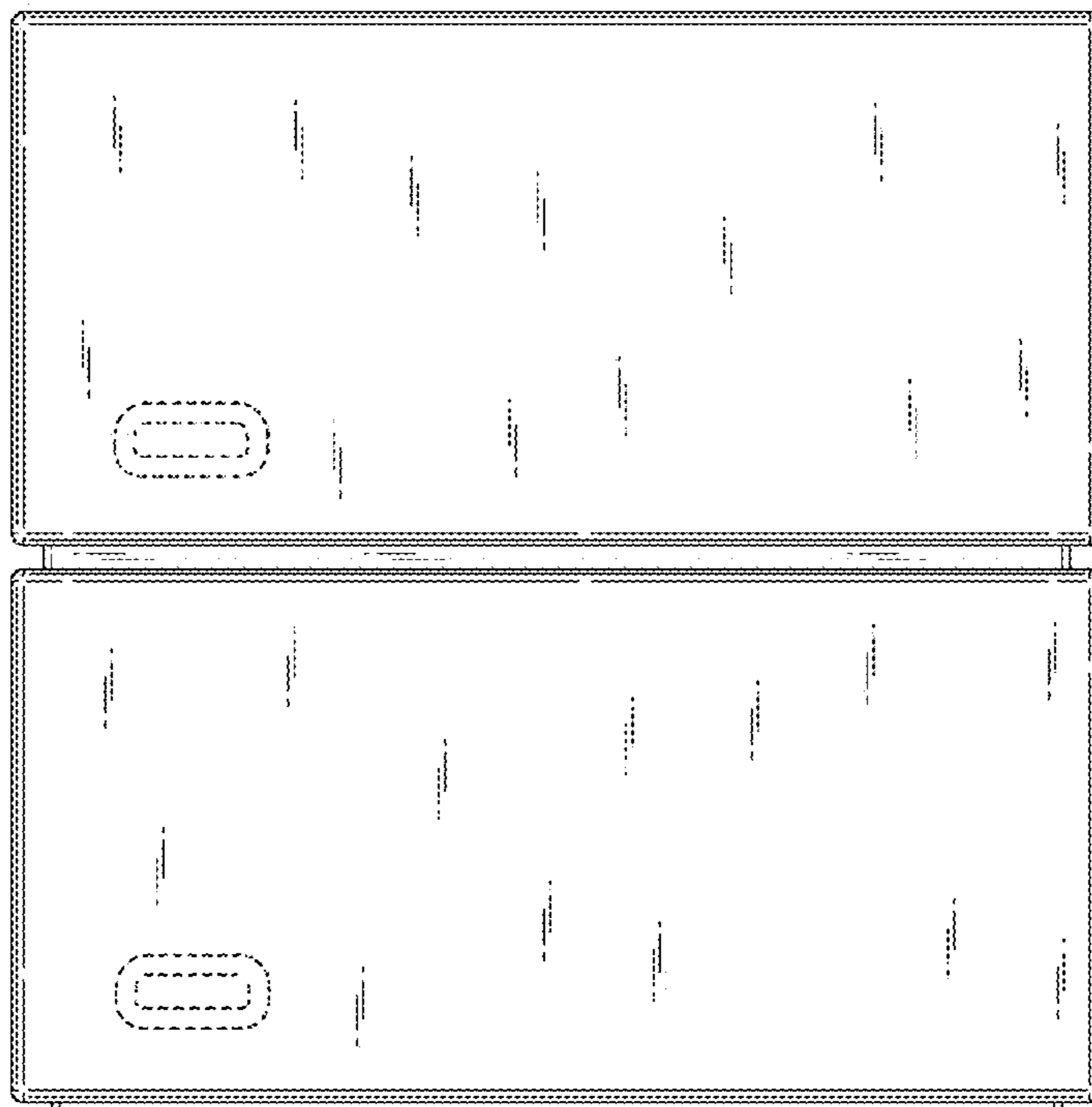


FIG. 2G