



US00D745419S

(12) **United States Design Patent**
Michael et al.

(10) **Patent No.:** **US D745,419 S**
(45) **Date of Patent:** **** Dec. 15, 2015**

(54) **CONTROL UNIT**
(71) Applicant: **MELNOR, INC.**, Winchester, VA (US)
(72) Inventors: **Vicky A. Michael**, Winchester, VA (US);
Ha V. Duong, Winchester, VA (US)
(73) Assignee: **MELNOR, INC.**, Winchester, VA (US)
(**) Term: **14 Years**
(21) Appl. No.: **29/482,199**
(22) Filed: **Feb. 14, 2014**
(51) **LOC (10) Cl.** **10-03**
(52) **U.S. Cl.**
USPC **D10/40; D13/168**
(58) **Field of Classification Search**
USPC D10/40; D13/162, 162.1, 168
CPC A01G 25/00; A01G 25/16; A01G 25/165;
G05G 10/00; G05B 19/04; G05B 19/042;
G05B 2219/2625
See application file for complete search history.

5,826,619 A 10/1998 Roman
D406,567 S * 3/1999 Roman D13/162.1
D430,044 S 8/2000 Clivio
D431,195 S 9/2000 Clivio
6,259,955 B1 * 7/2001 Brundisini et al. 700/15
6,283,139 B1 9/2001 Symonds et al.
D451,037 S 11/2001 Jacobs et al.
D451,412 S 12/2001 Jacobs et al.
6,337,635 B1 1/2002 Ericksen et al.
6,397,888 B1 6/2002 Wang
D467,187 S 12/2002 Clivio
D477,287 S 7/2003 Roman
D485,502 S 1/2004 Clivio
6,719,010 B1 4/2004 Yi-Chang
D511,979 S 11/2005 Echito et al.
D513,497 S * 1/2006 Whitehouse D13/162
6,986,364 B1 1/2006 Wang
D535,571 S * 1/2007 Simon et al. D10/40
D535,895 S * 1/2007 Simon et al. D10/40

(Continued)

Primary Examiner — Martie K Holtje
(74) *Attorney, Agent, or Firm* — Westerman, Hattori,
Daniels & Adrian, LLP

(57) **CLAIM**
The ornamental design for a control unit, as shown and
described.

(56) **References Cited**

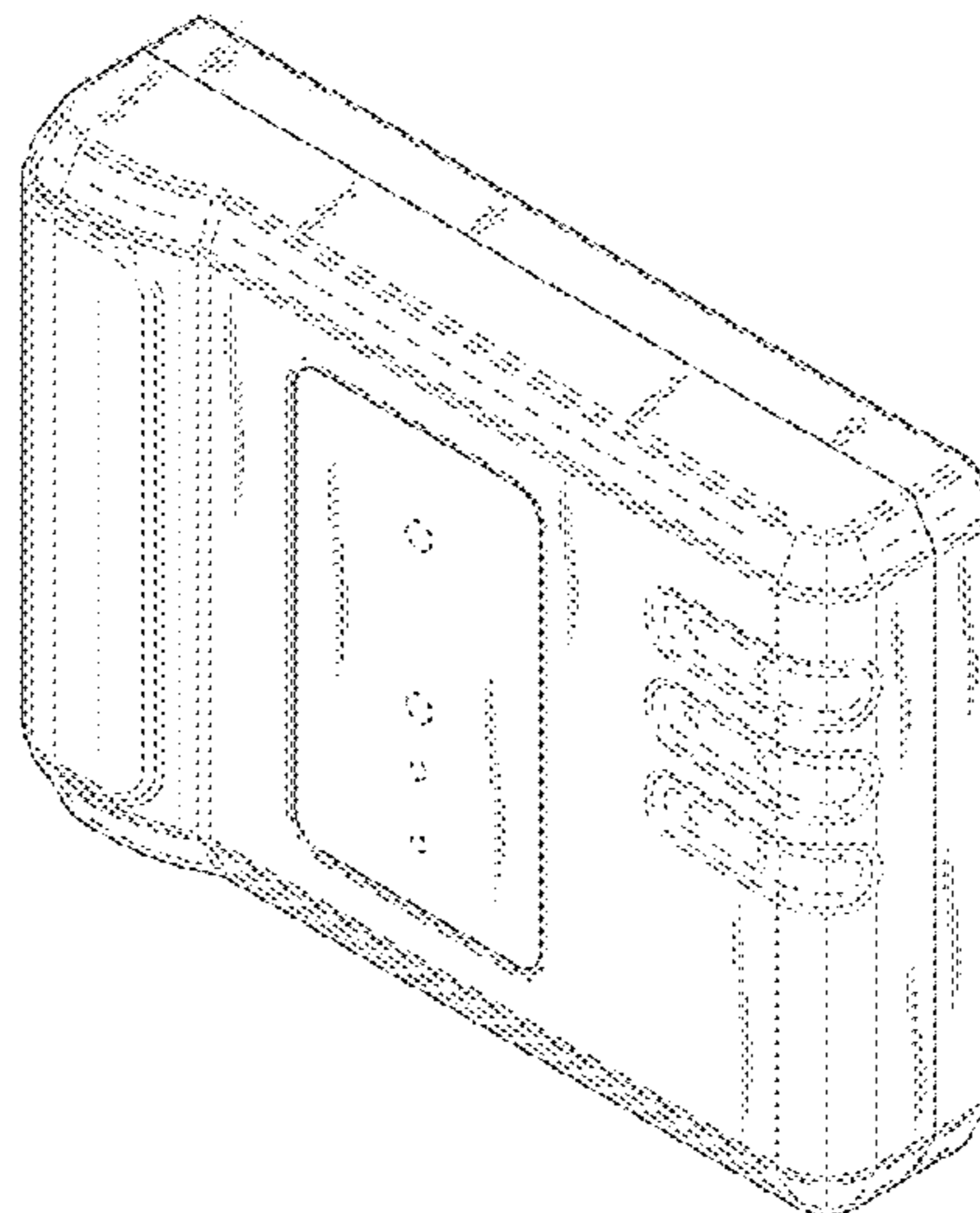
U.S. PATENT DOCUMENTS

3,097,762 A 7/1963 Charnota et al.
4,130,135 A 12/1978 Moore
4,592,505 A 6/1986 Bruninga et al.
4,633,905 A 1/1987 Wang
4,708,264 A 11/1987 Bruninga
4,722,478 A 2/1988 Fletcher et al.
D298,962 S 12/1988 Bruninga
4,807,664 A 2/1989 Wilson et al.
D304,224 S 10/1989 Wilson et al.
5,101,859 A 4/1992 Roman
5,143,290 A 9/1992 Wang
D352,276 S * 11/1994 Pucci et al. D13/168
D365,771 S 1/1996 Clivio
D377,316 S 1/1997 Roman et al.
D390,830 S * 2/1998 Issa D13/168
5,816,619 A 10/1998 Schaede

DESCRIPTION

FIG. 1 is a top, right front perspective view of a control unit
showing our new design;
FIG. 2 is a front elevational view thereof;
FIG. 3 is a rear elevational view thereof;
FIG. 4 is a top plan view thereof;
FIG. 5 is a bottom plan view thereof;
FIG. 6 is a left side elevational view thereof; and,
FIG. 7 is a right side elevational view thereof.
The structural features depicted by broken lines have been
shown for the purpose of illustrating portions of the control
unit that form no part of the claimed design.

1 Claim, 5 Drawing Sheets



(56)

References Cited

U.S. PATENT DOCUMENTS

D559,708 S 1/2008 Michael et al.
D567,680 S 4/2008 Michael et al.
D567,681 S 4/2008 Michael et al.
D581,880 S * 12/2008 Neitzel et al. D13/162
D630,952 S 1/2011 Nies et al.
7,931,045 B2 4/2011 Nies et al.
D642,077 S 7/2011 Nies et al.

D643,316 S * 8/2011 Nies et al. D10/40
D643,755 S 8/2011 Nies et al.
D647,411 S 10/2011 Barton et al.
D655,209 S * 3/2012 Wen D10/40
D657,263 S 4/2012 Nies et al.
D657,264 S 4/2012 Nies et al.
2006/0030971 A1 * 2/2006 Nelson et al. 700/284
2007/0208462 A1 * 9/2007 Kah 700/284
2008/0071426 A1 * 3/2008 Perez et al. 700/284

* cited by examiner

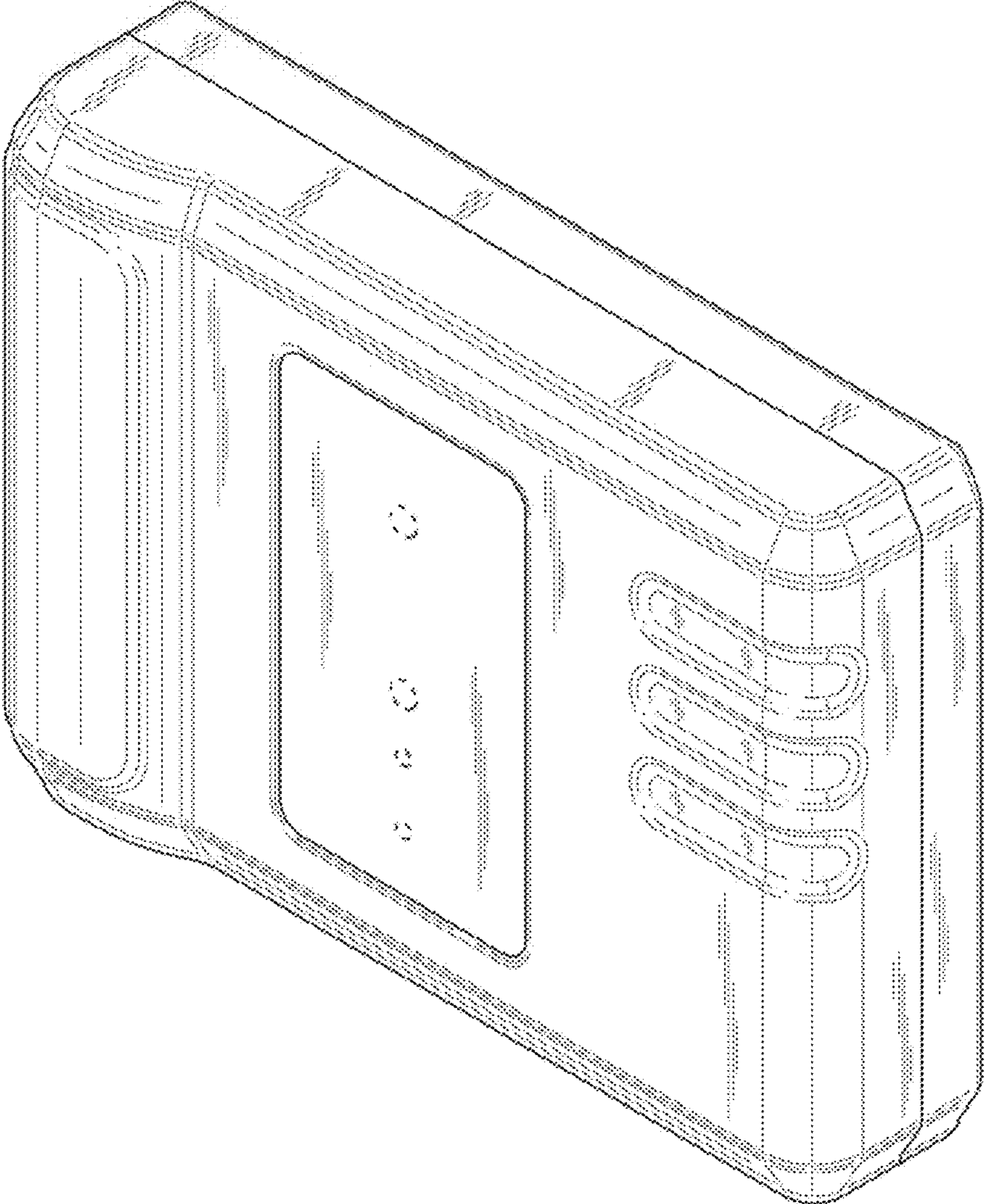


FIG.1

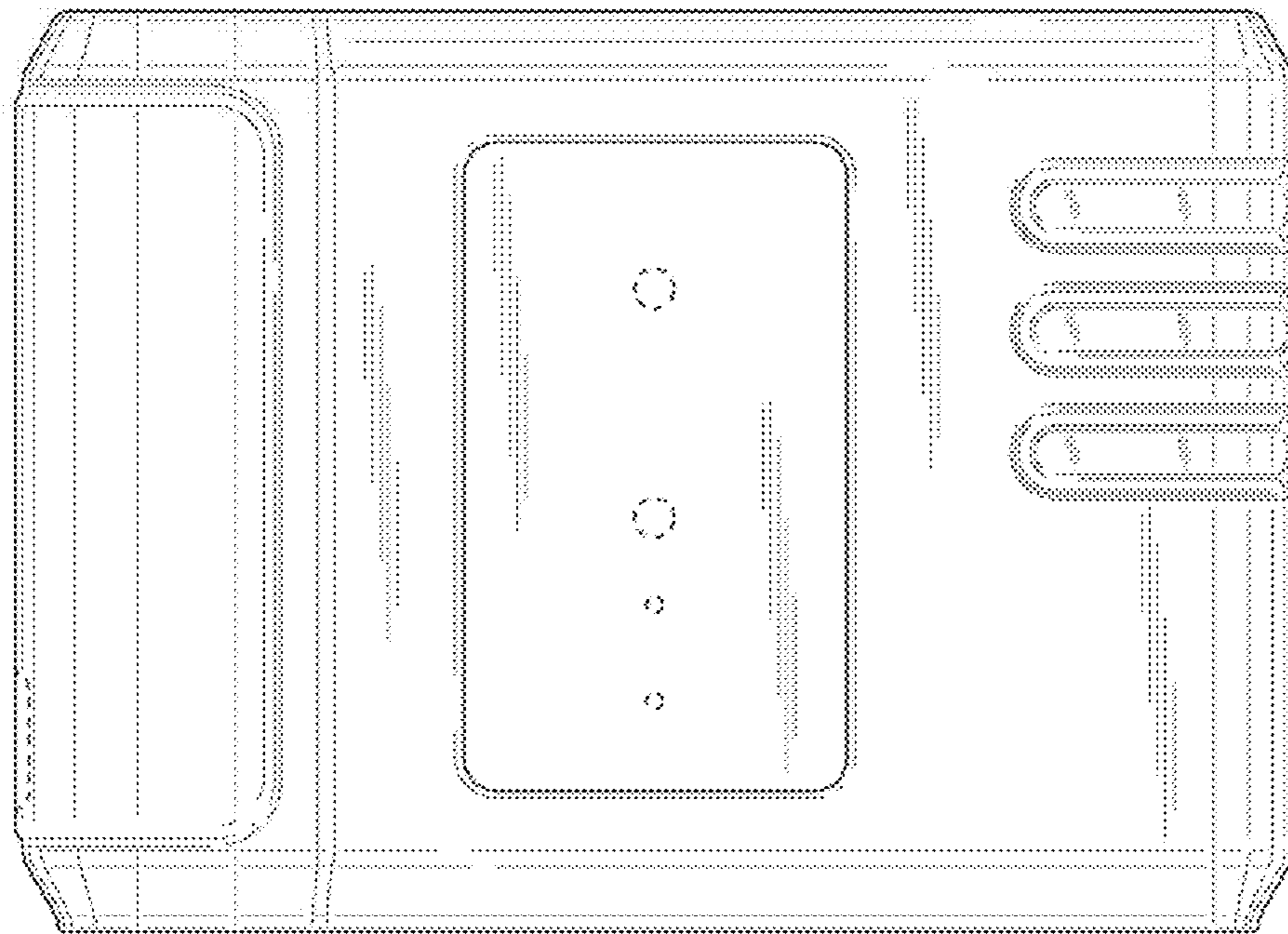


FIG.2

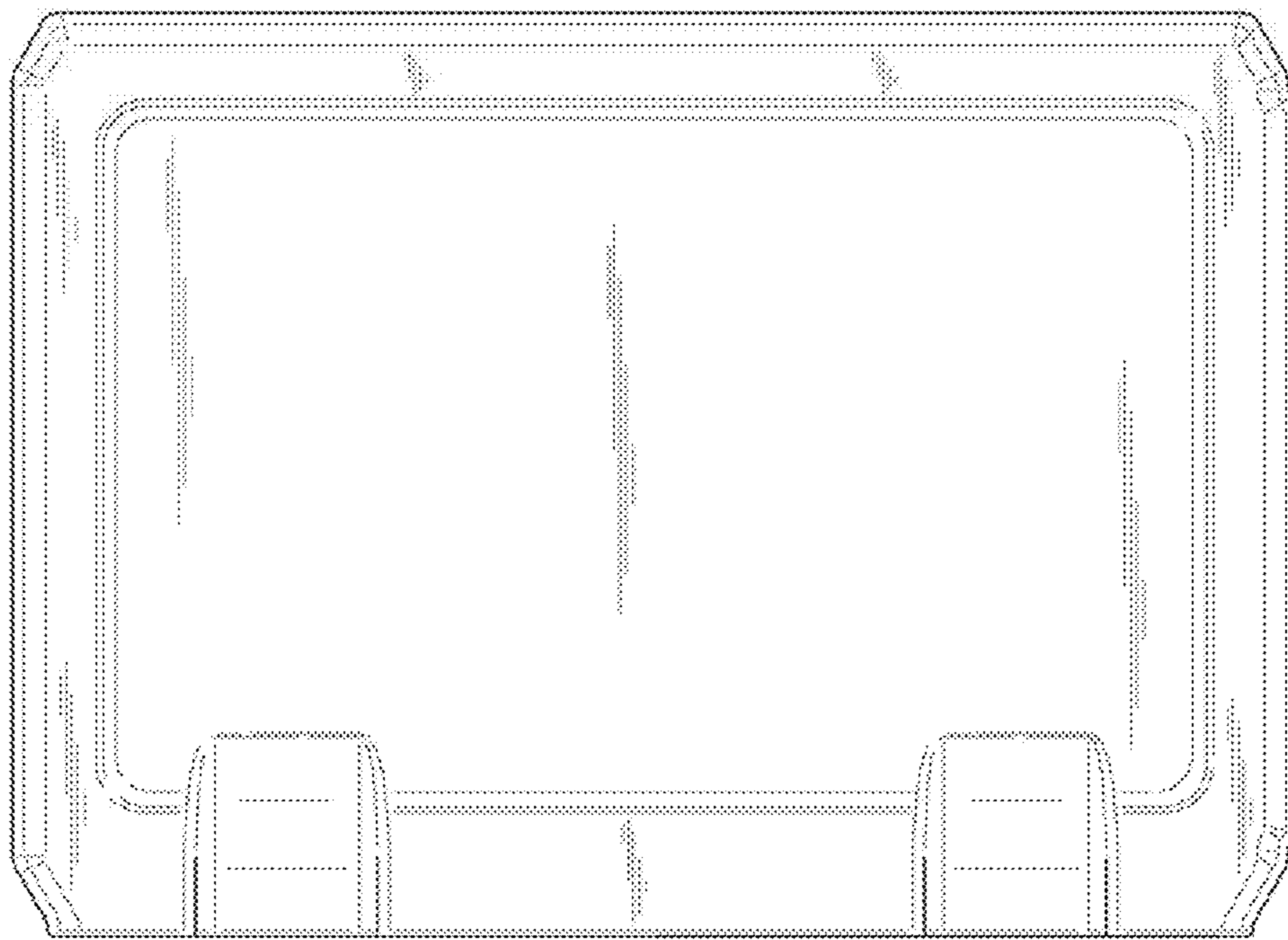


FIG.3

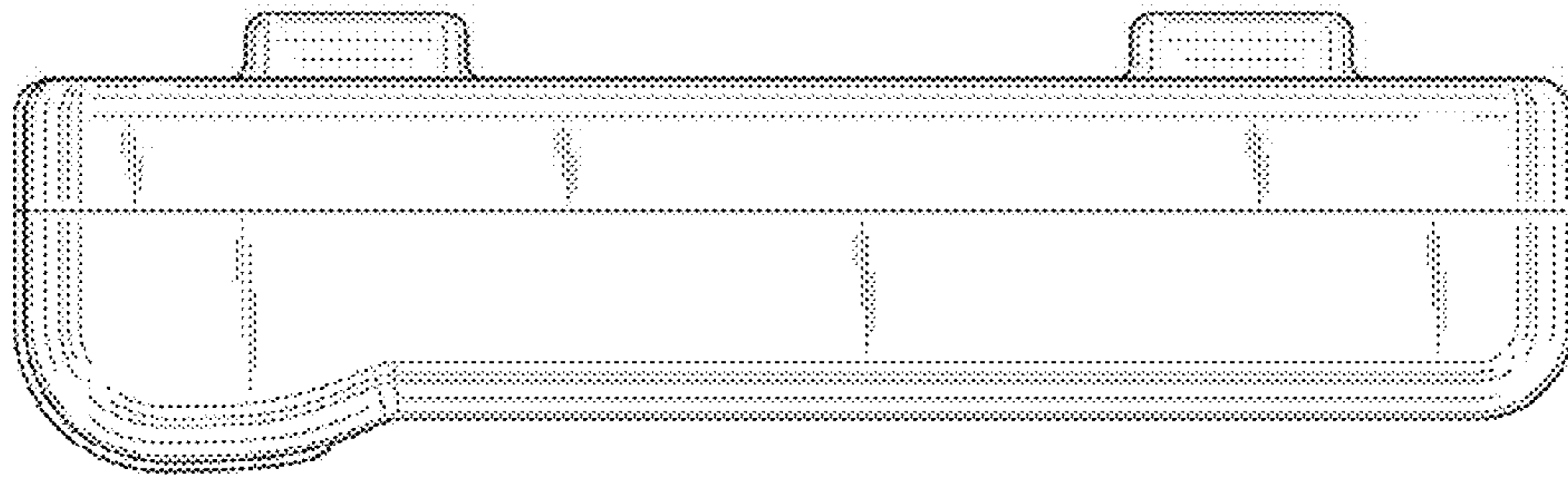


FIG. 4

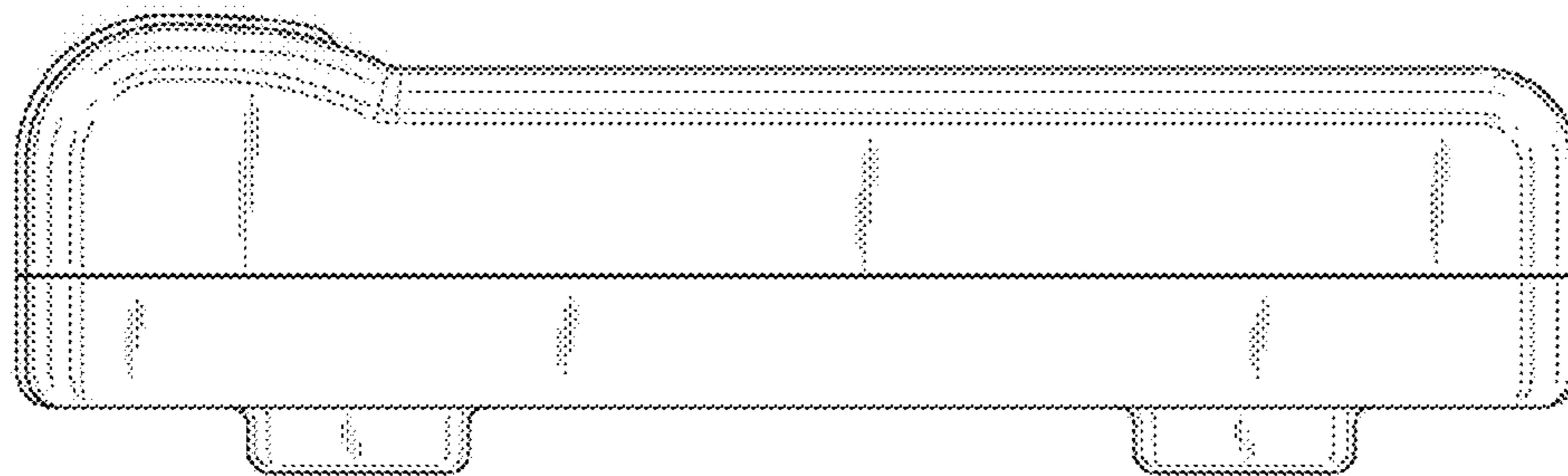


FIG. 5

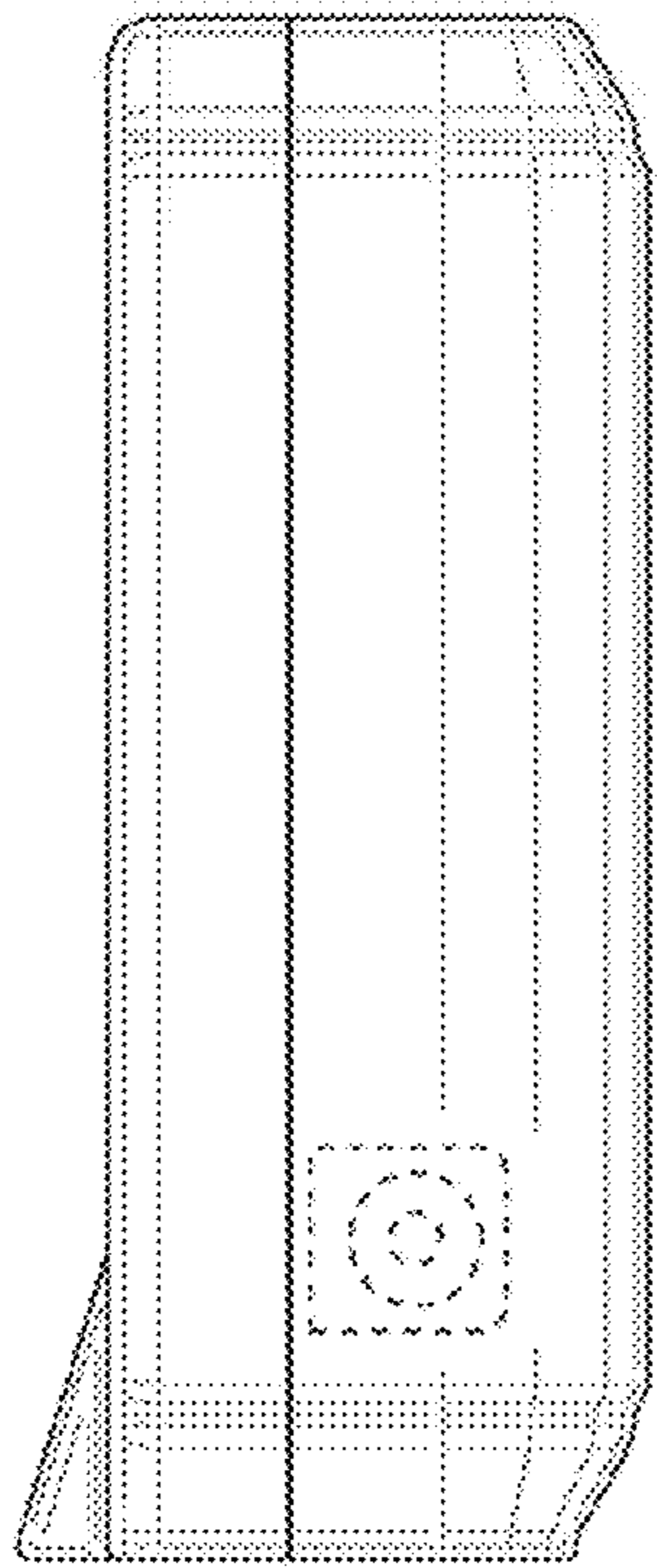


FIG. 6

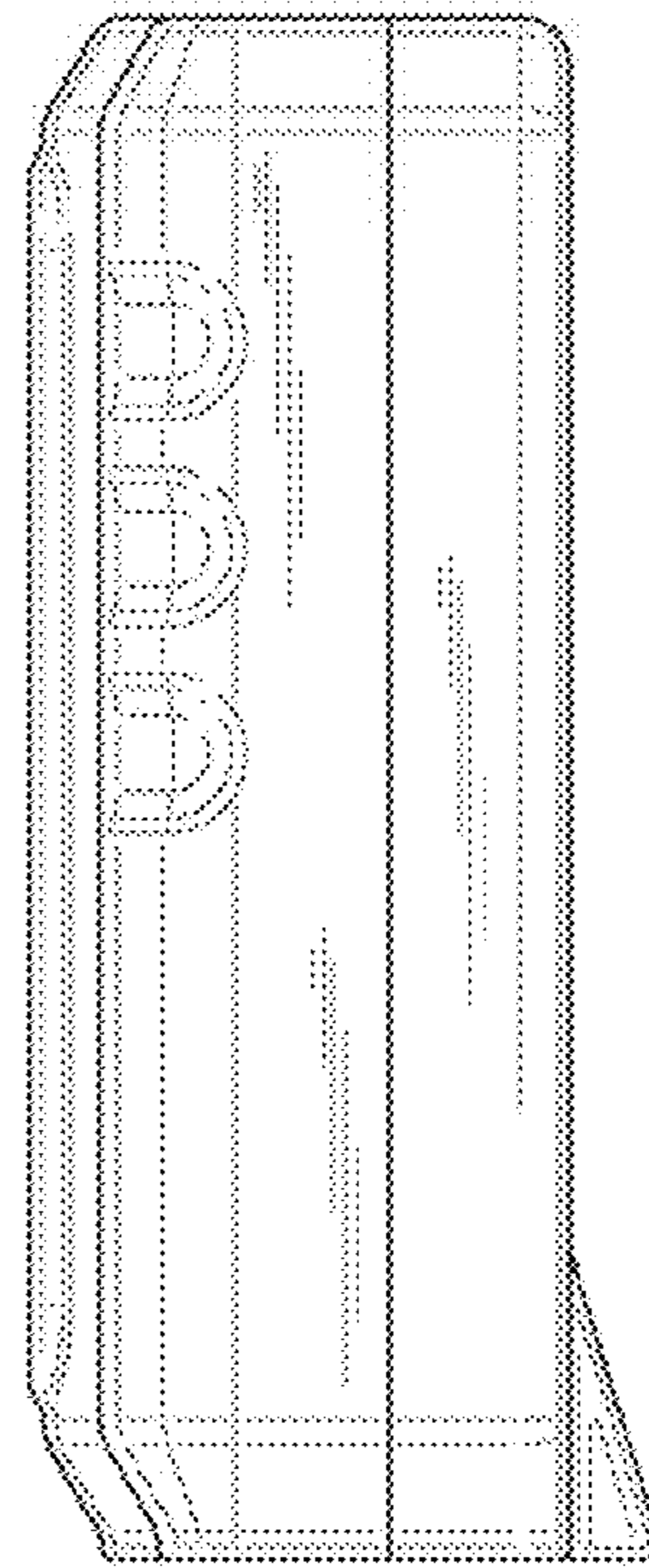


FIG. 7