



US00D745418S

(12) **United States Design Patent**
Indio da Costa et al.

(10) **Patent No.:** **US D745,418 S**
(45) **Date of Patent:** **** Dec. 15, 2015**

(54) **STREET CLOCK**

G04B 19/046; G04B 37/00; G04B 37/14;
G04B 47/00

(71) Applicant: **Odebrecht Transport Participações**
S/A, São Paulo (BR)

See application file for complete search history.

(72) Inventors: **Luiz Eduardo Indio da Costa**, Rio de Janeiro (BR); **Luiz Augusto de Siqueira Índio da Costa**, Rio de Janeiro (BR); **Till Pupak**, Rio de Janeiro (BR); **Marcos Lima Nogueira Costa**, Rio de Janeiro (BR); **Luisa Martins Pessoa**, Rio de Janeiro (BR); **Nicholas Muller**, Niterói (BR)

(56) **References Cited**

U.S. PATENT DOCUMENTS

989,290	A *	4/1911	Rhame et al.	368/44
1,876,997	A *	9/1932	Marples	200/37 R
2,909,963	A *	10/1959	Lane, Jr.	359/451
D188,306	S *	7/1960	Cothorn	D20/41
2,998,664	A *	9/1961	McIntire	40/473
D213,940	S *	4/1969	de Zinno	D20/20

(Continued)

(73) Assignee: **Odebrecht Transport Participações**
S/A, Sao Paulo, SP (BR)

Primary Examiner — Martie K Holtje

(**) Term: **14 Years**

(74) *Attorney, Agent, or Firm* — Sughrue Mion, PLLC

(21) Appl. No.: **29/492,918**

(57) **CLAIM**

(22) Filed: **Jun. 4, 2014**

The ornamental design for a street clock, as shown and described.

DESCRIPTION

Related U.S. Application Data

(62) Division of application No. 29/440,043, filed on Dec. 18, 2012.

FIG. 1 is a perspective view of a street clock showing our new design;

(30) **Foreign Application Priority Data**

Jun. 18, 2012 (BR) 302012003720

FIG. 2 is a front view;

(51) **LOC (10) Cl.** **10-01**

FIG. 3 is a rear view;

(52) **U.S. Cl.**

USPC **D10/24; D10/26; D20/41**

FIG. 4 is a bottom view;

(58) **Field of Classification Search**

USPC D10/1, 2, 3-39, 122-132; D20/10, 17, D20/19, 20, 39, 41, 99; D6/661, 681; D14/307; 368/10, 44; 40/606.15, 612, 40/624, 473; 359/451; 404/9; 200/37 R

FIG. 5 is a top view;

FIG. 6 is a right side view; and,

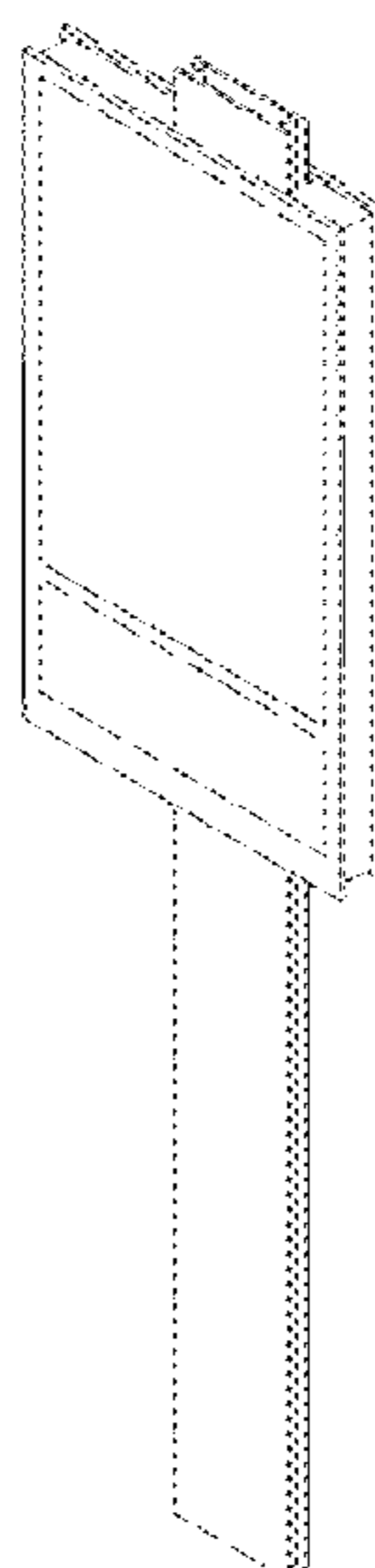
FIG. 7 is a left side view.

CPC G09F 7/00; G09F 7/16; G09F 7/18; G09F 13/00; G09F 19/00; G09F 19/22; G09F 23/00; G09F 23/16; G04B 19/00;

In FIG. 4, the broken lines defining the inside periphery of the street clock's outer structural wall, and the broken lines defining the outside periphery of the street clock's support post, represent boundaries, the area within which forms no part of the claimed design.

The cross-shaped features depicted by broken lines in FIG. 4 have been shown for the purpose of illustrating elements that form no part of the claimed design.

1 Claim, 5 Drawing Sheets



(56)

References Cited

U.S. PATENT DOCUMENTS

3,509,652 A * 5/1970 Kern 40/624
D218,670 S * 9/1970 Brentrup D20/41
D269,532 S * 6/1983 Amar D20/20
D304,960 S * 12/1989 Denton D20/20
D355,676 S * 2/1995 Wilson D20/10
D471,113 S * 3/2003 Merk et al. D10/2
D479,659 S * 9/2003 Fleckenstein et al. D6/470
D483,074 S * 12/2003 Strunk et al. D20/41

D501,228 S * 1/2005 Santana et al. D20/41
D501,889 S * 2/2005 Harris et al. D20/39
D501,891 S * 2/2005 Kaplan et al. D20/41
D550,524 S * 9/2007 Kincaid D8/1
D587,317 S * 2/2009 King et al. D20/41
D598,054 S * 8/2009 Grimshaw D20/41
D608,775 S * 1/2010 Leung D14/307
D631,097 S * 1/2011 Giugiaro D20/41
D639,088 S * 6/2011 Rodgers et al. D6/449
D662,992 S * 7/2012 Hernandez D20/41
2008/0078112 A1 * 4/2008 Basha 40/606.15

* cited by examiner

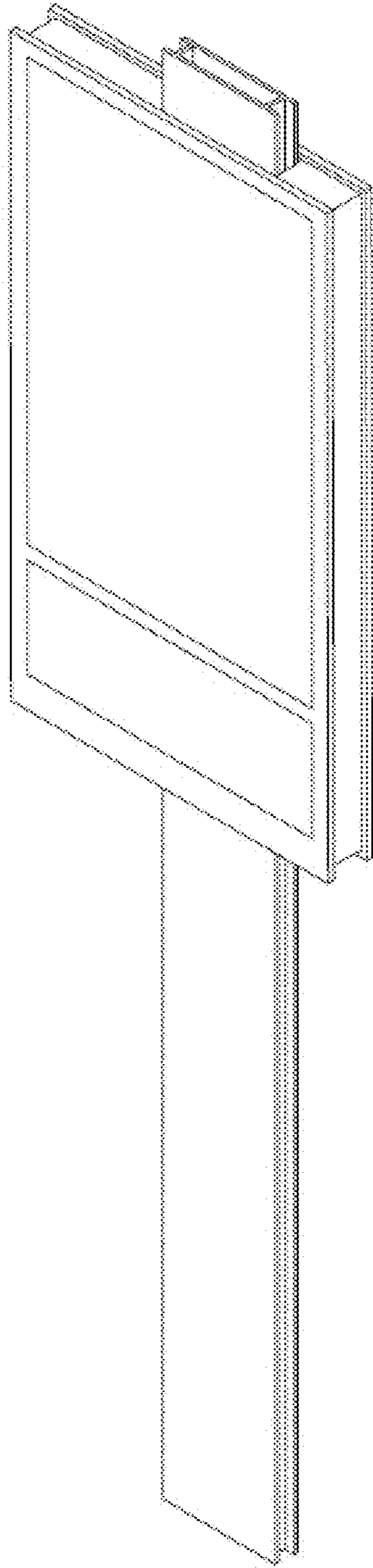
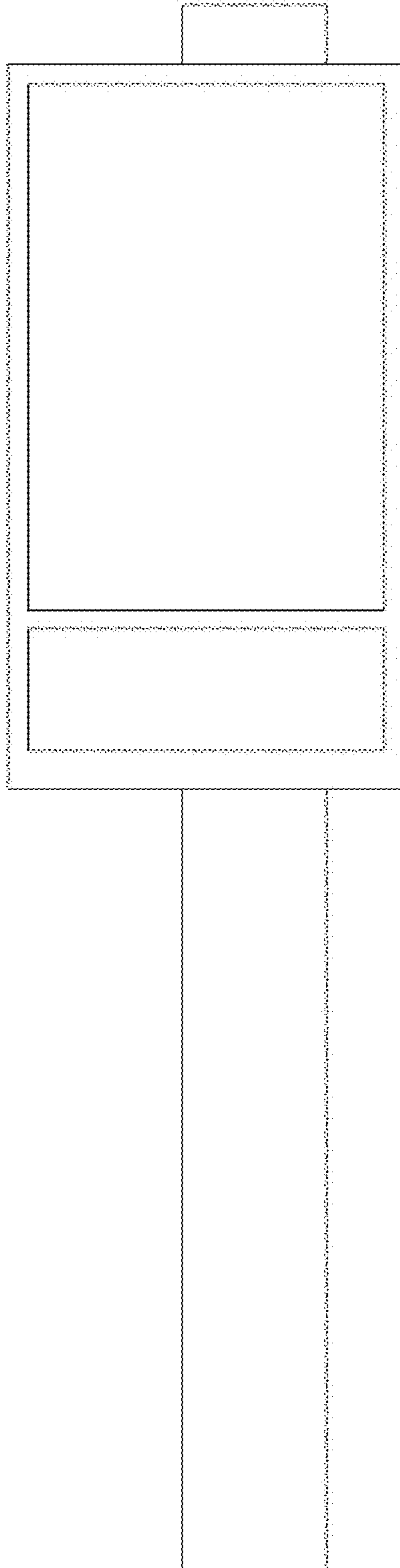


FIG. 1

FIG. 2



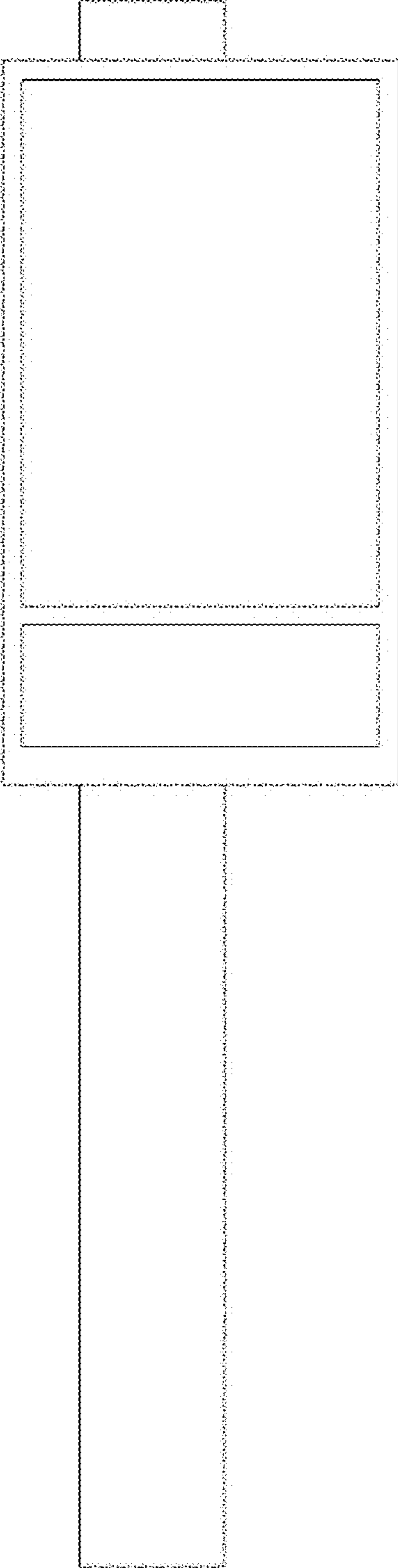


FIG. 3

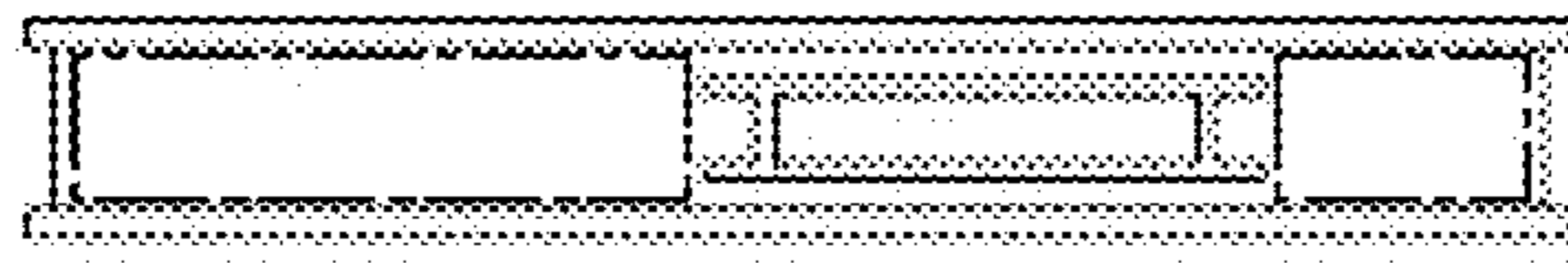


FIG. 4

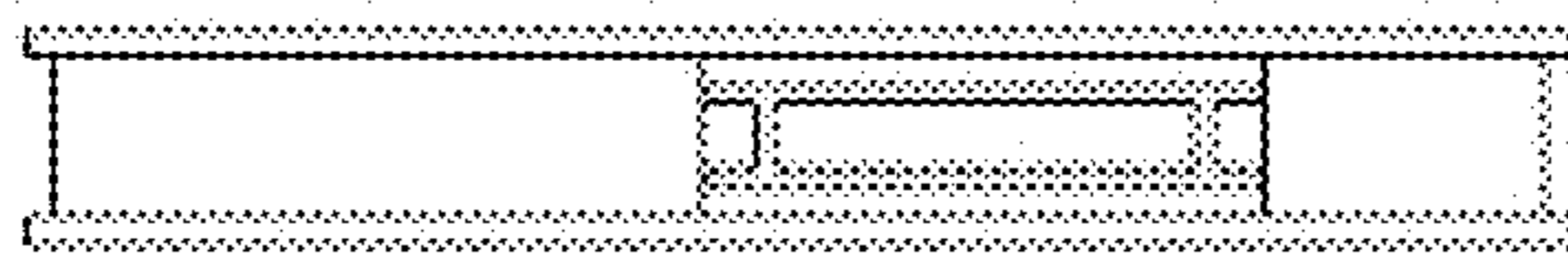


FIG. 5

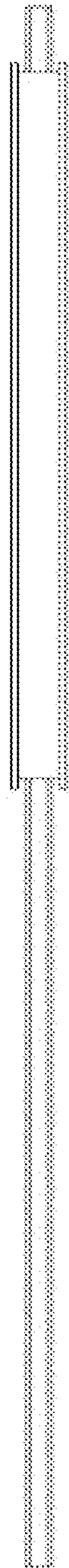


FIG. 6

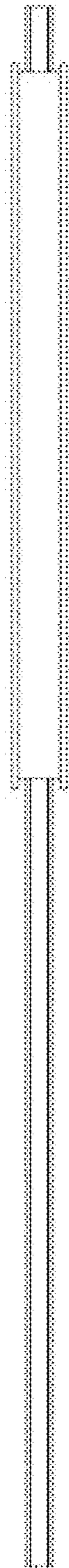


FIG. 7