



US00D745416S

(12) **United States Design Patent**  
**Markle et al.**

(10) **Patent No.:** **US D745,416 S**  
(45) **Date of Patent:** **\*\* Dec. 15, 2015**

(54) **RAZOR PACKAGE**

(71) Applicant: **The Gillette Company**, Boston, MA  
(US)

(72) Inventors: **Andrew Anthony Markle**, New York,  
NY (US); **Carl Andrew Gerhards**,  
Astoria, NY (US)

(73) Assignee: **The Gillette Company**, Boston, MA  
(US)

(\*\*) Term: **14 Years**

(21) Appl. No.: **29/445,705**

(22) Filed: **Feb. 14, 2013**

(51) **LOC (10) Cl.** ..... **09-01**

(52) **U.S. Cl.**

USPC ..... **D9/722**

(58) **Field of Classification Search**

USPC ..... D9/414, 424, 434, 435, 456, 457, 715,  
D9/722, 732, 735, 748, 749; 206/208, 210,  
206/228, 229, 351, 352, 581, 767, 770, 771

See application file for complete search history.

(56) **References Cited**

**U.S. PATENT DOCUMENTS**

D253,040 S \* 10/1979 Fournier et al. .... D9/722  
5,429,241 A \* 7/1995 Althaus ..... 206/471  
6,276,529 B1 \* 8/2001 Feehan, Jr. .... 206/469

D511,105 S \* 11/2005 Dominesey et al. .... D9/748  
D522,380 S \* 6/2006 Dibnah et al. .... D9/715  
D646,566 S \* 10/2011 Graham et al. .... D9/434  
D650,668 S \* 12/2011 Graham et al. .... D9/434  
D651,084 S \* 12/2011 Eaton et al. .... D9/435  
D653,108 S \* 1/2012 Graham et al. .... D9/434  
D684,045 S \* 6/2013 Frees et al. .... D9/424  
D715,140 S \* 10/2014 Markle et al. .... D9/434

\* cited by examiner

*Primary Examiner* — Derrick Holland

*Assistant Examiner* — Lauren Calve

(74) *Attorney, Agent, or Firm* — Joane N. Pappas; Kevin C.  
Johnson; Steven W. Miller

(57) **CLAIM**

The ornamental design for a razor package, as shown and  
described.

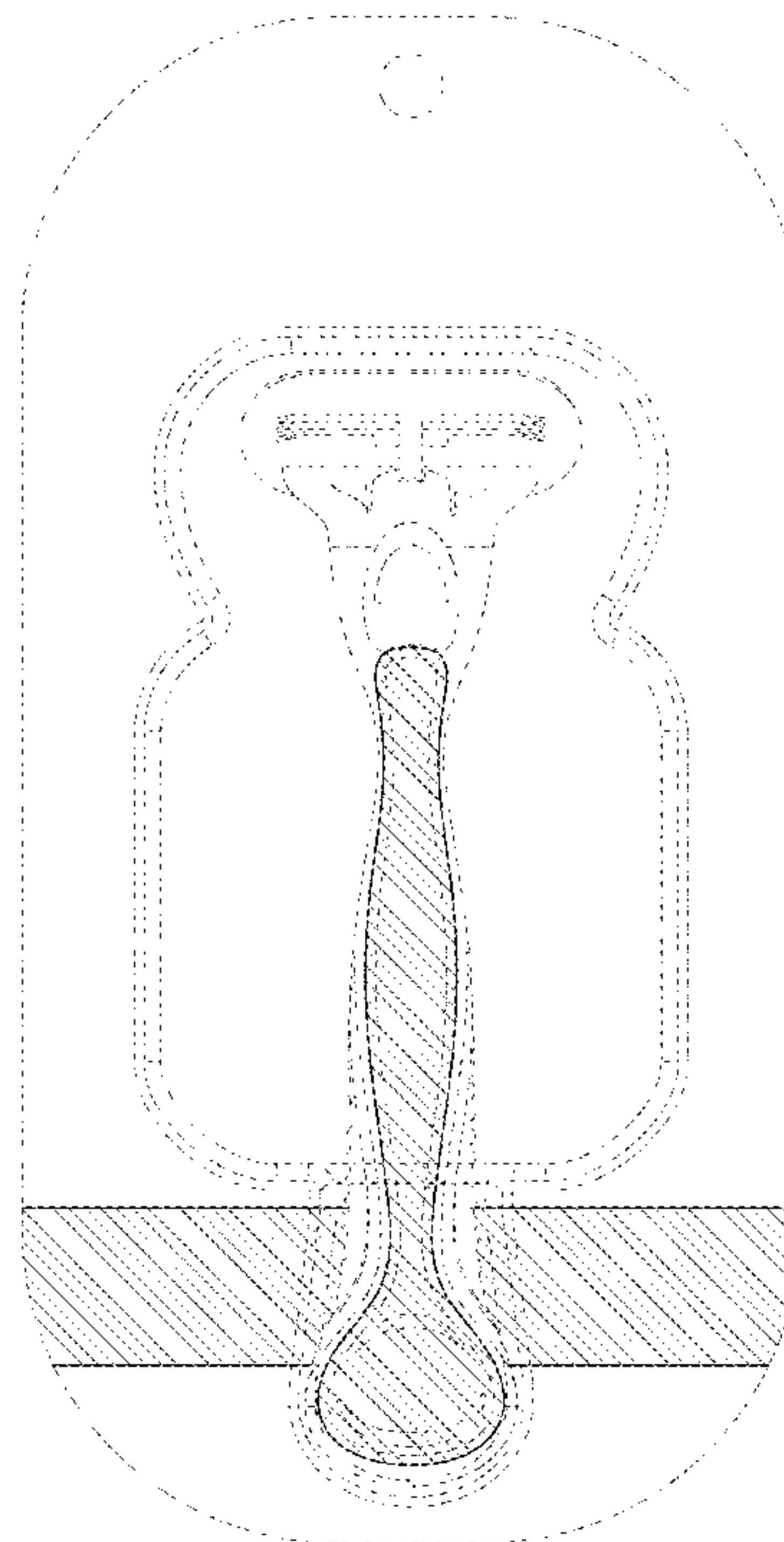
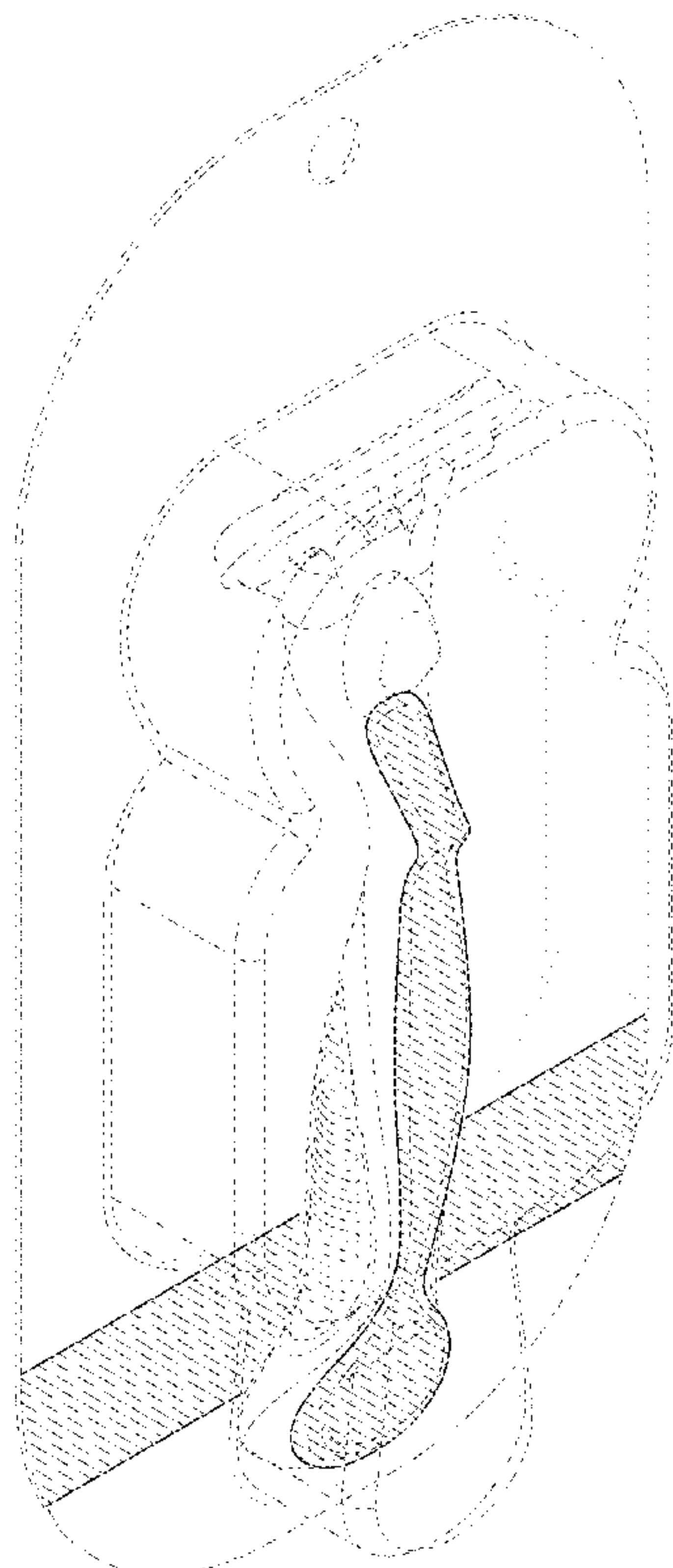
**DESCRIPTION**

FIG. 1 is a perspective view of a razor package;  
FIG. 2 is a front view thereof;  
FIG. 3 is a back view thereof;  
FIG. 4 is a right view thereof;  
FIG. 5 is a left view thereof;  
FIG. 6 is a top view thereof; and,  
FIG. 7 is a bottom view thereof.

The diagonal shade lines represent color and form a part of the  
claimed design.

The broken lines shown represent unclaimed subject matter  
and form no part of the claimed design.

**1 Claim, 5 Drawing Sheets**



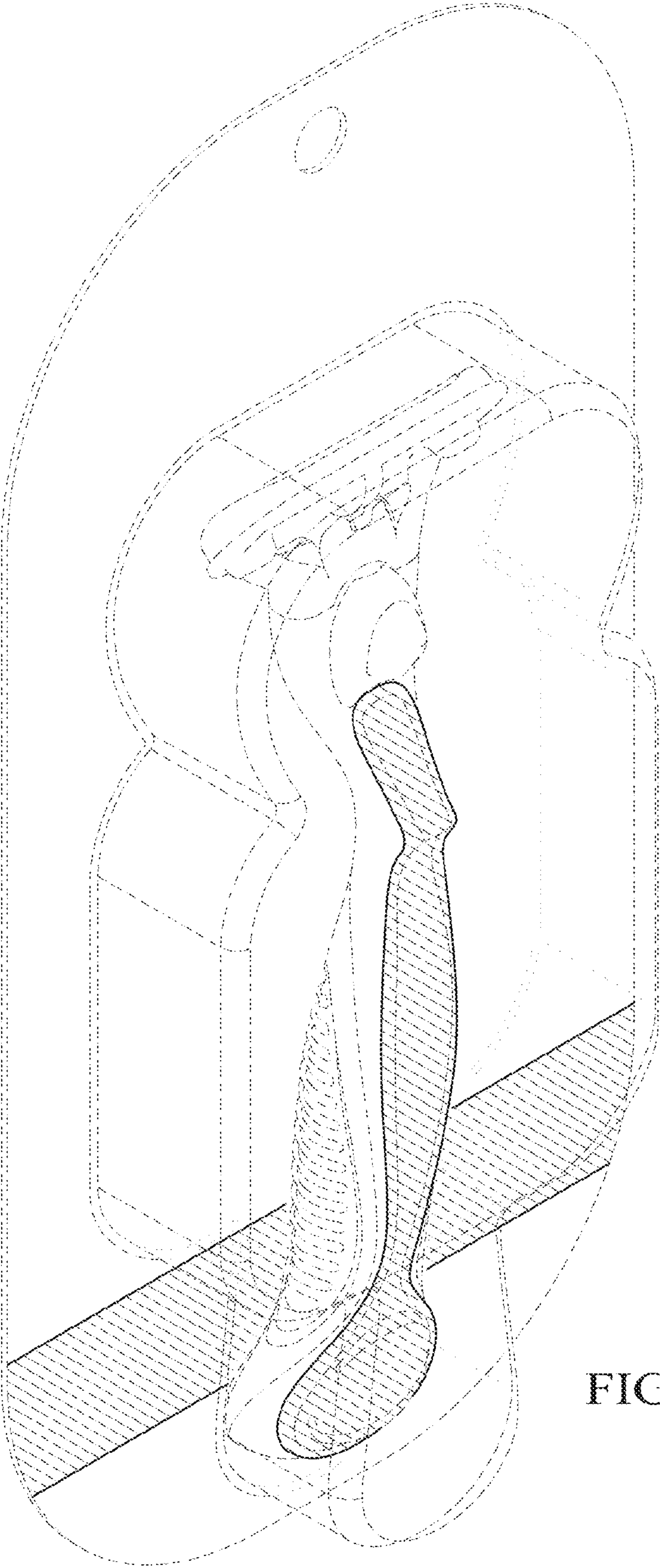


FIG. 1

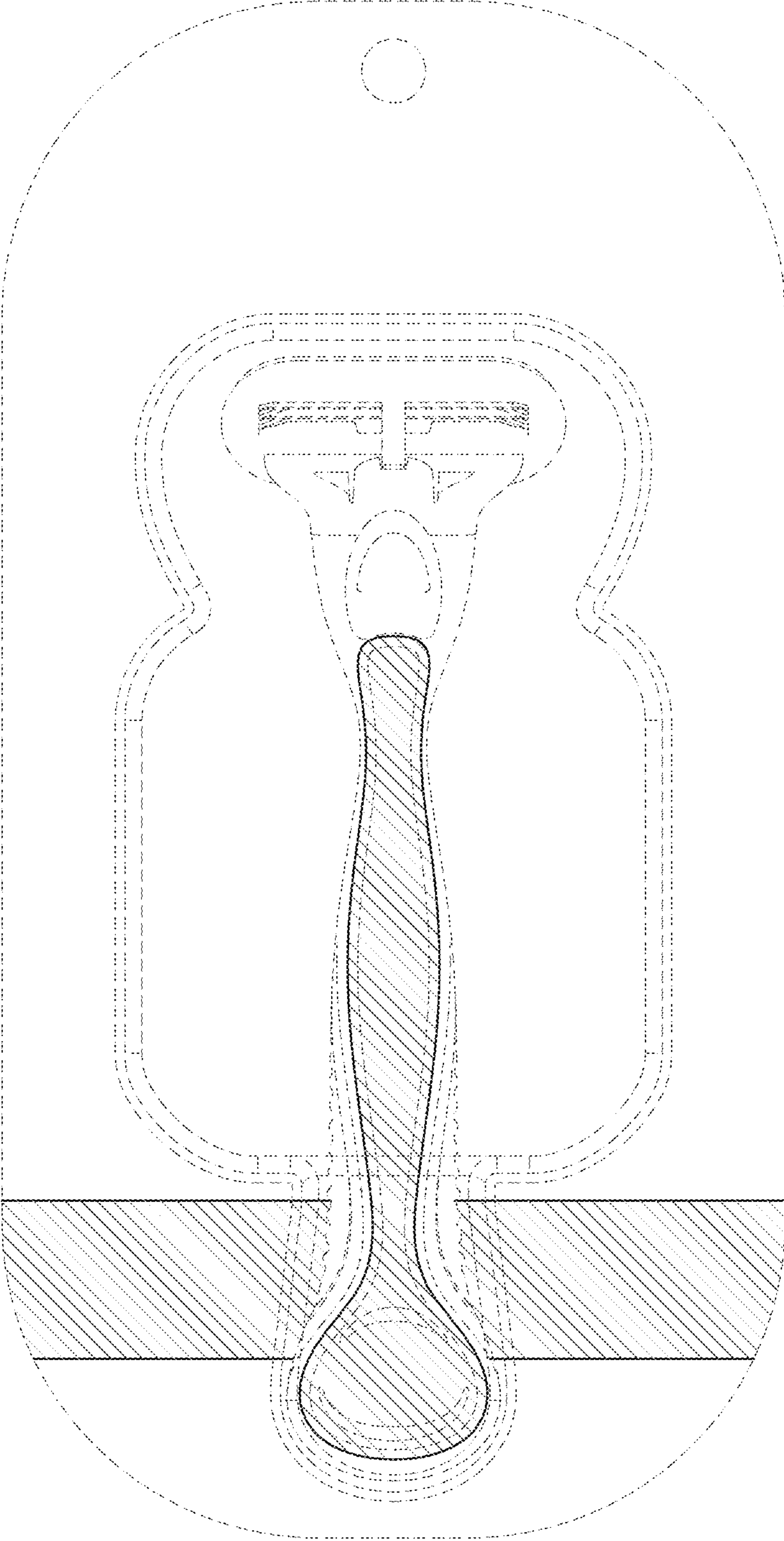


FIG. 2



FIG. 3



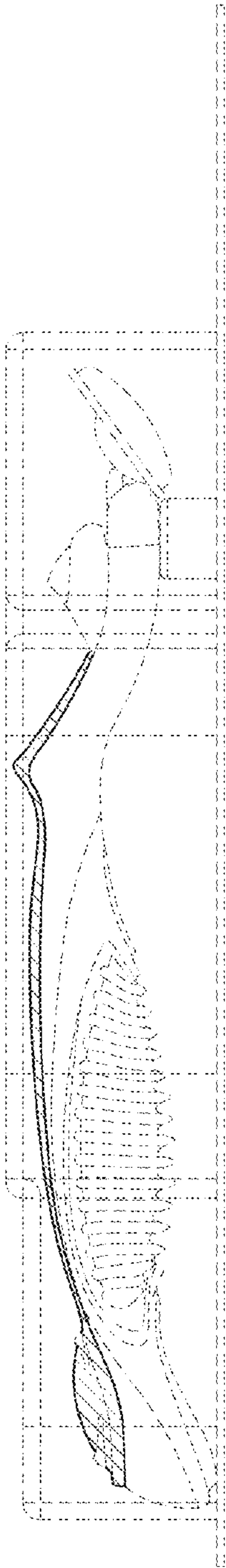


FIG. 4

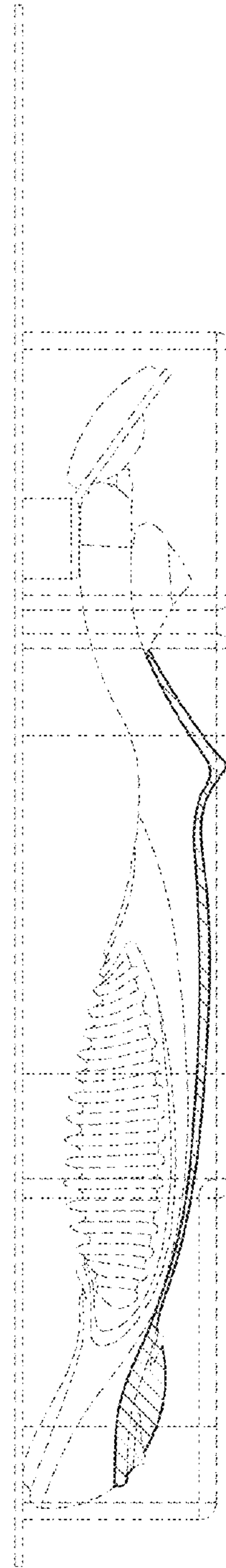


FIG. 5

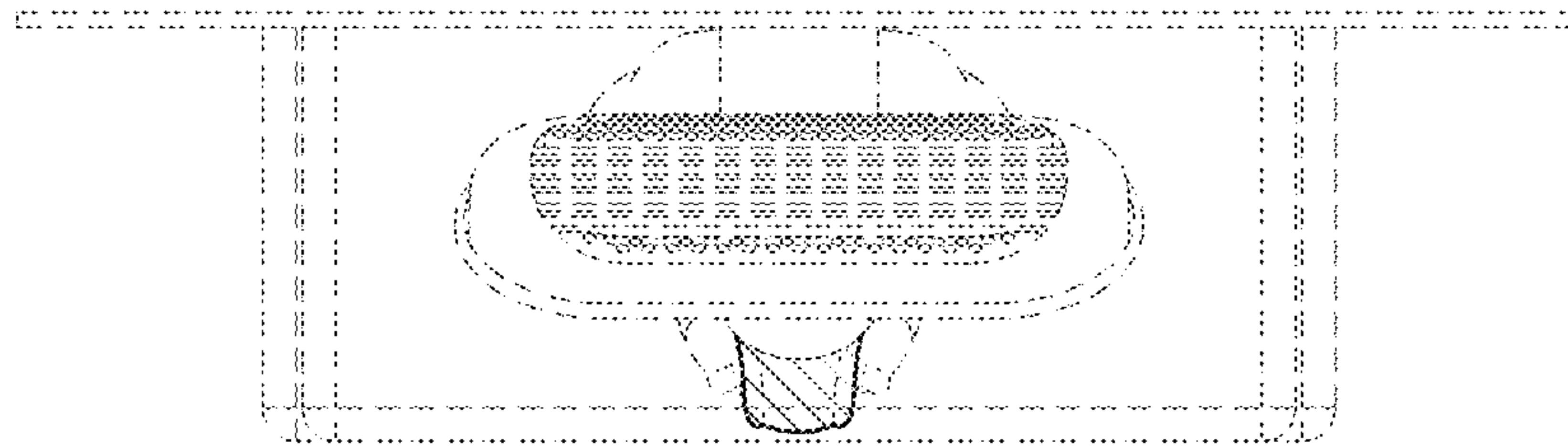


FIG. 6

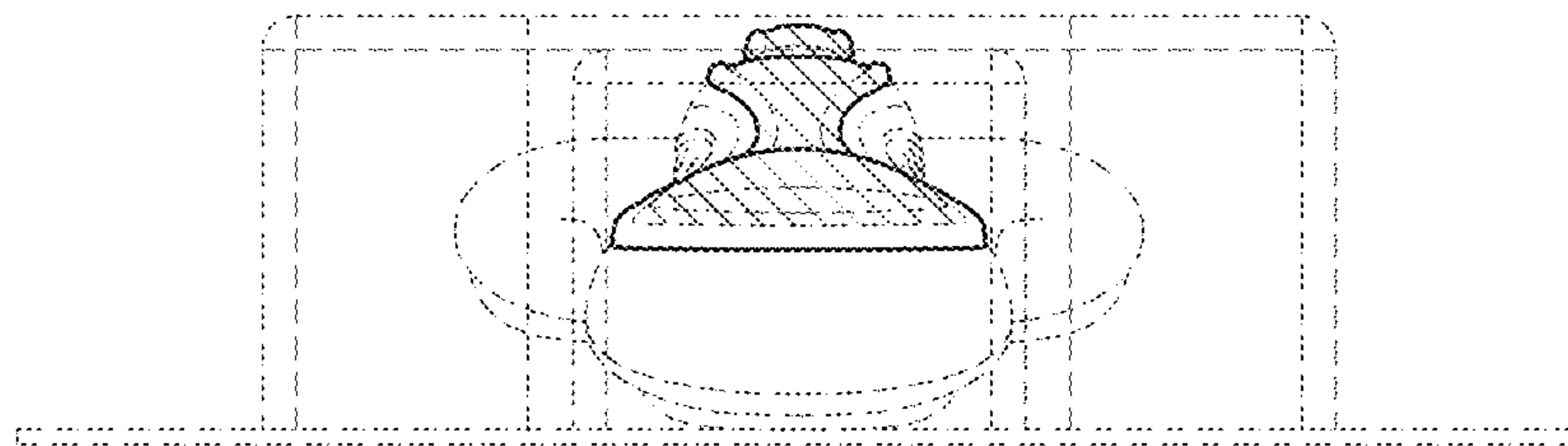


FIG. 7