



US00D745412S

(12) **United States Design Patent**
Hamui

(10) **Patent No.:** **US D745,412 S**

(45) **Date of Patent:** **** Dec. 15, 2015**

(54) **COMBINED COFFEE BAG AND PACKAGING**

(71) Applicant: **Deborah Hamui**, Aventura, FL (US)

(72) Inventor: **Deborah Hamui**, Aventura, FL (US)

(73) Assignee: **Pollitos Limited Liability Company**,
Aventura, FL (US)

(**) Term: **14 Years**

(21) Appl. No.: **29/489,774**

(22) Filed: **May 2, 2014**

(51) **LOC (10) Cl.** **09-01**

(52) **U.S. Cl.**
USPC **D9/643**; D9/721; D9/418

(58) **Field of Classification Search**

USPC D3/270, 271.1–271.4; D7/514–520,
D7/599, 604, 613, 619.2, 623, 628;
D9/600, 643, 702–706, 715, 720–721,
D9/500–505, 516, 414–434; 206/457,
206/459.5, 527; 215/387–388, 381–384,
215/400

CPC B65D 5/4258; B65D 81/60; B65D 81/365;
B65D 81/366; B65D 81/368; B65D 2203/00;
B65D 2203/02

See application file for complete search history.

(56) **References Cited**

U.S. PATENT DOCUMENTS

D157,468 S * 2/1950 Burger D9/721
D287,821 S * 1/1987 Holewinski et al. D9/414
5,582,293 A * 12/1996 Kay 206/457
D455,073 S * 4/2002 Mizrahi D9/418
D519,829 S * 5/2006 Campo D9/418
D529,795 S * 10/2006 Kragtwijk D9/418
D532,937 S * 11/2006 Noh D9/504

7,213,711 B2 * 5/2007 Wang 206/459.5
D551,070 S * 9/2007 Wallwork D9/418
D553,488 S * 10/2007 Pacheco D9/418
D572,581 S * 7/2008 Steele et al. D9/721
D590,723 S * 4/2009 Cascone et al. D9/721
D696,936 S * 1/2014 Radau et al. D9/418

* cited by examiner

Primary Examiner — Sandra Morris

(74) *Attorney, Agent, or Firm* — Fleit Gibbons Gutman
Bongini & Bianco PL; Paul D. Bianco; Lourdes Perez

(57) **CLAIM**

The ornamental design for a combined coffee bag and pack-
aging, as shown and described.

DESCRIPTION

FIG. 1 is a top perspective view of a combined coffee bag and
packaging according to the present invention;

FIG. 2 is a top view of the combined coffee bag and packaging
of FIG. 1;

FIG. 3 is a bottom view of the combined coffee bag and
packaging of FIG. 1;

FIG. 4 is a front view of the combined coffee bag and pack-
aging of FIG. 1;

FIG. 5 is a rear view, opposite the front view, of the combined
coffee bag and packaging of FIG. 1;

FIG. 6 is a left side view of the combined coffee bag and
packaging of FIG. 1; and,

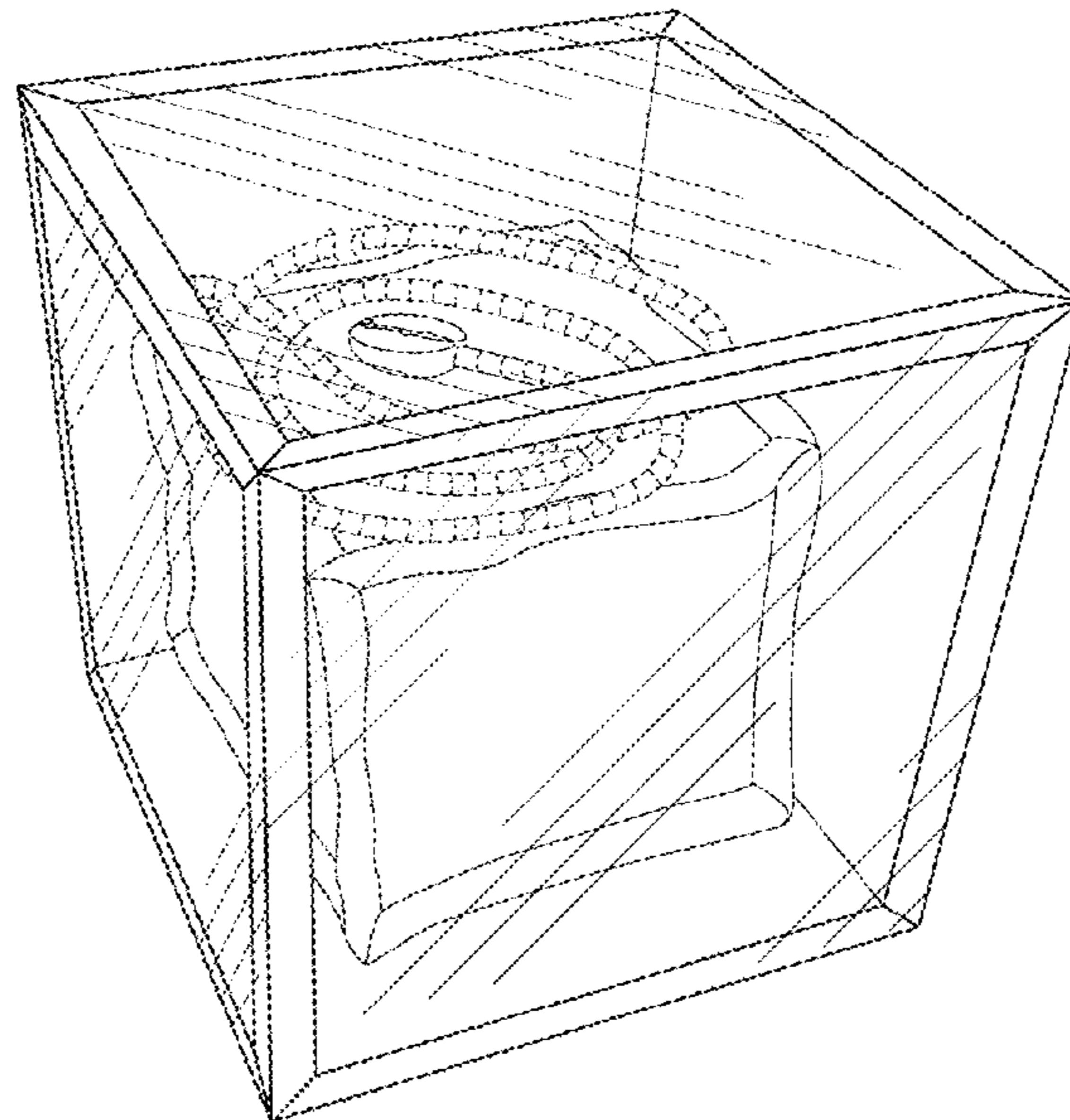
FIG. 7 is a right side view, opposite the left side view, of the
combined coffee bag and packaging of FIG. 1.

The shade lines in the Figures show transparency and not
surface ornamentation.

The features shown in broken line are for illustrative purposes
only and form no part of the claimed design.

The string is shown broken away in FIGS. 1-3 to indicate
indeterminate length.

1 Claim, 4 Drawing Sheets



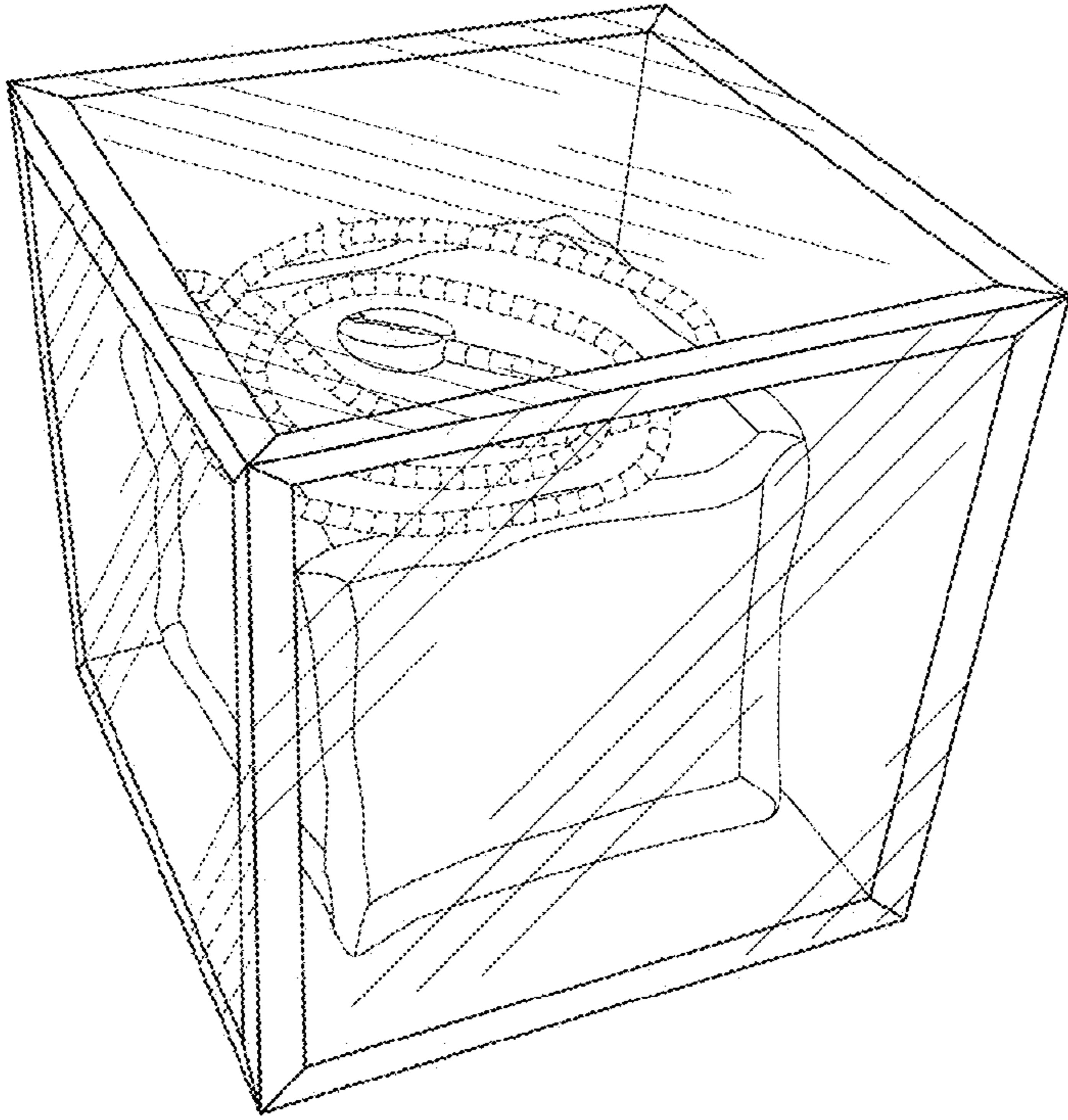


FIG. 1

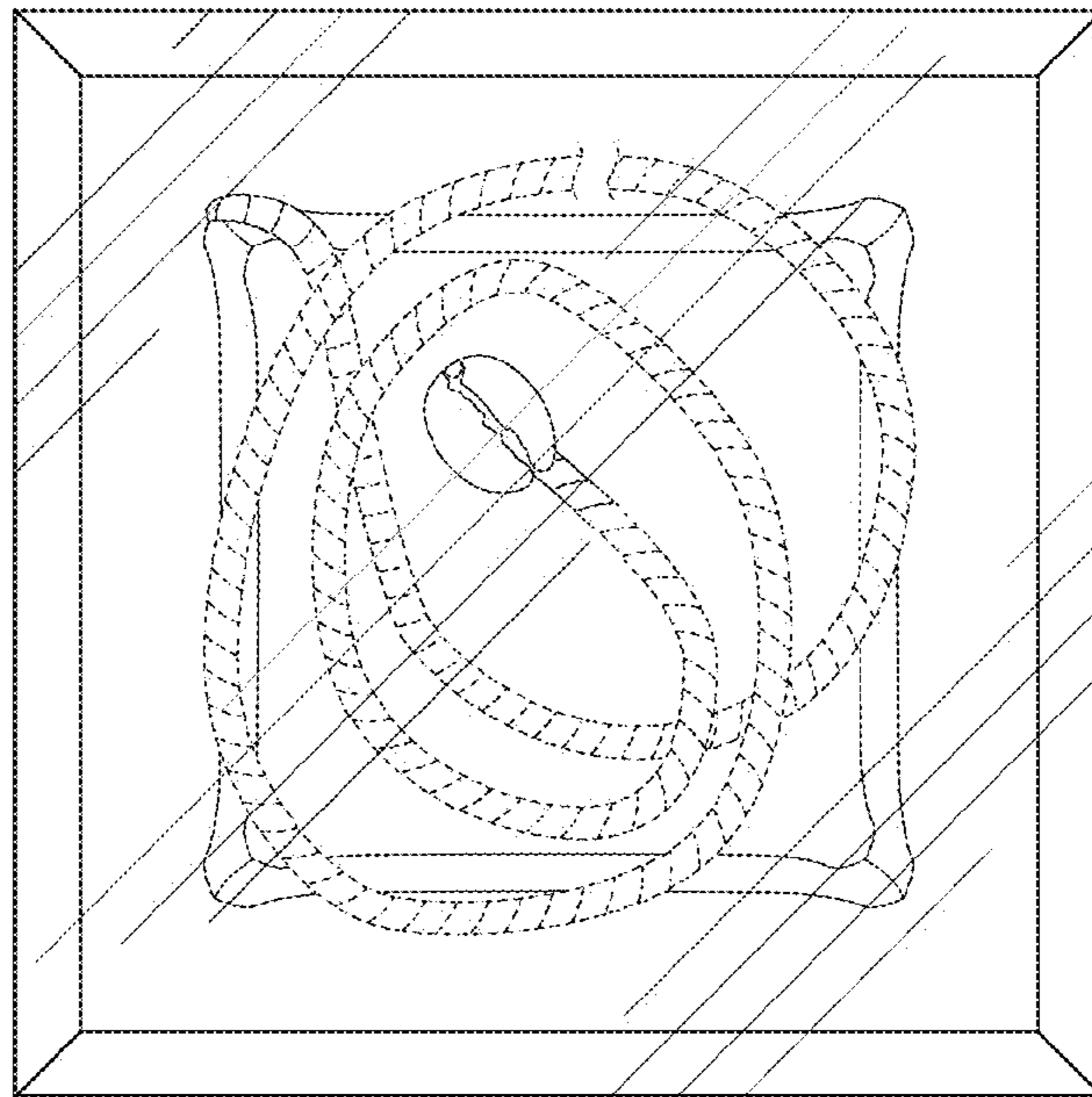


FIG. 2

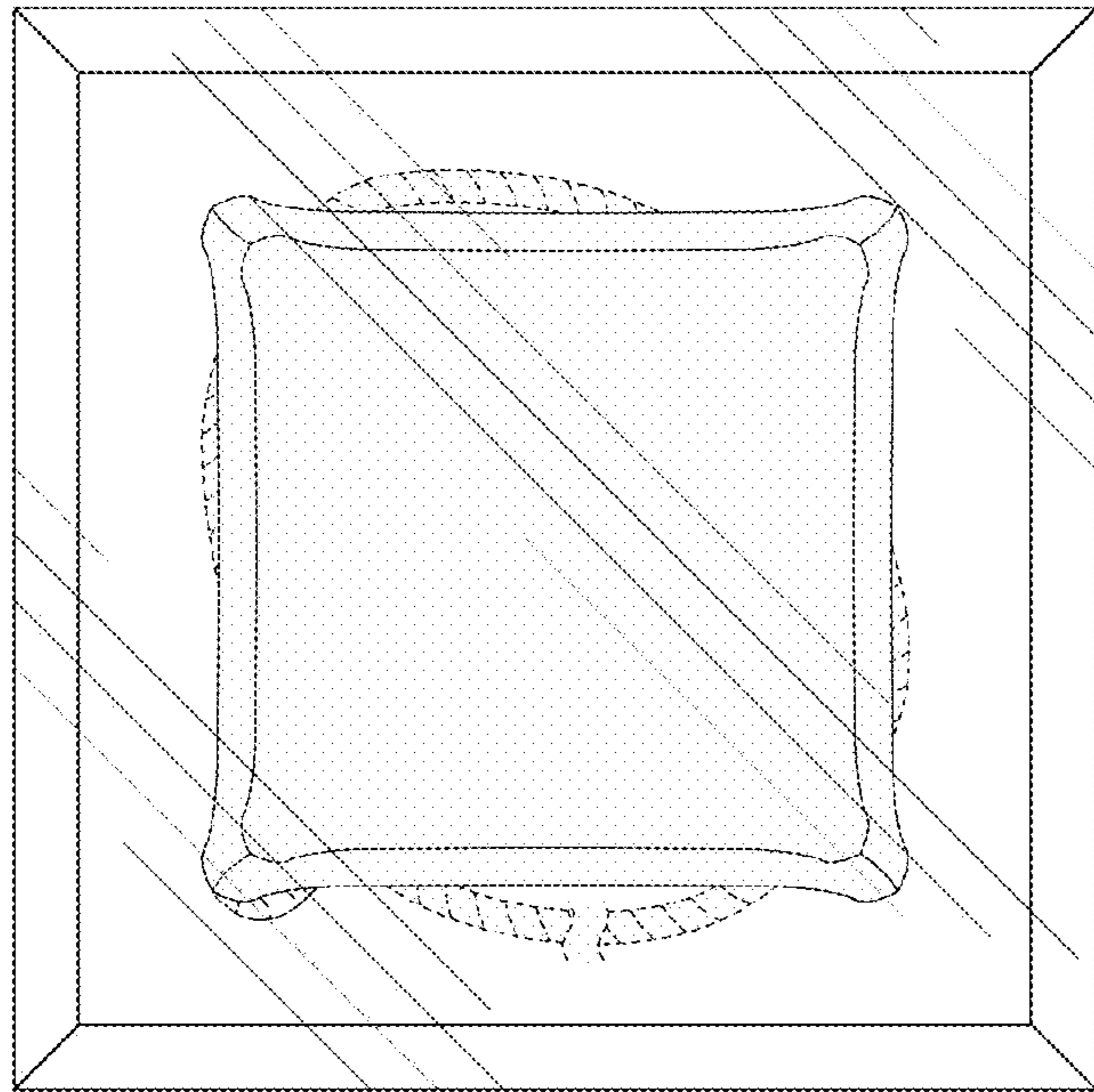


FIG. 3

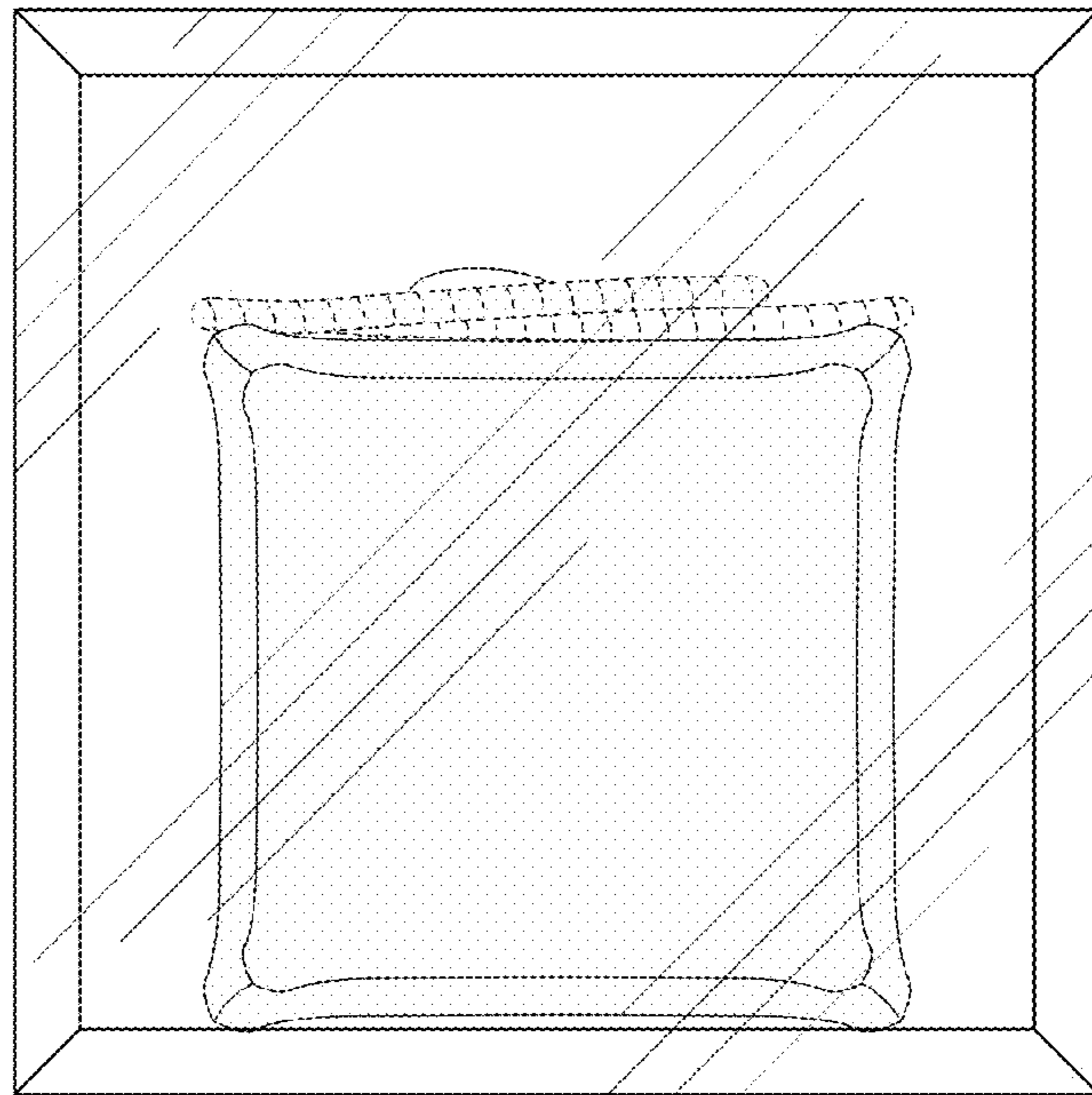


FIG. 4

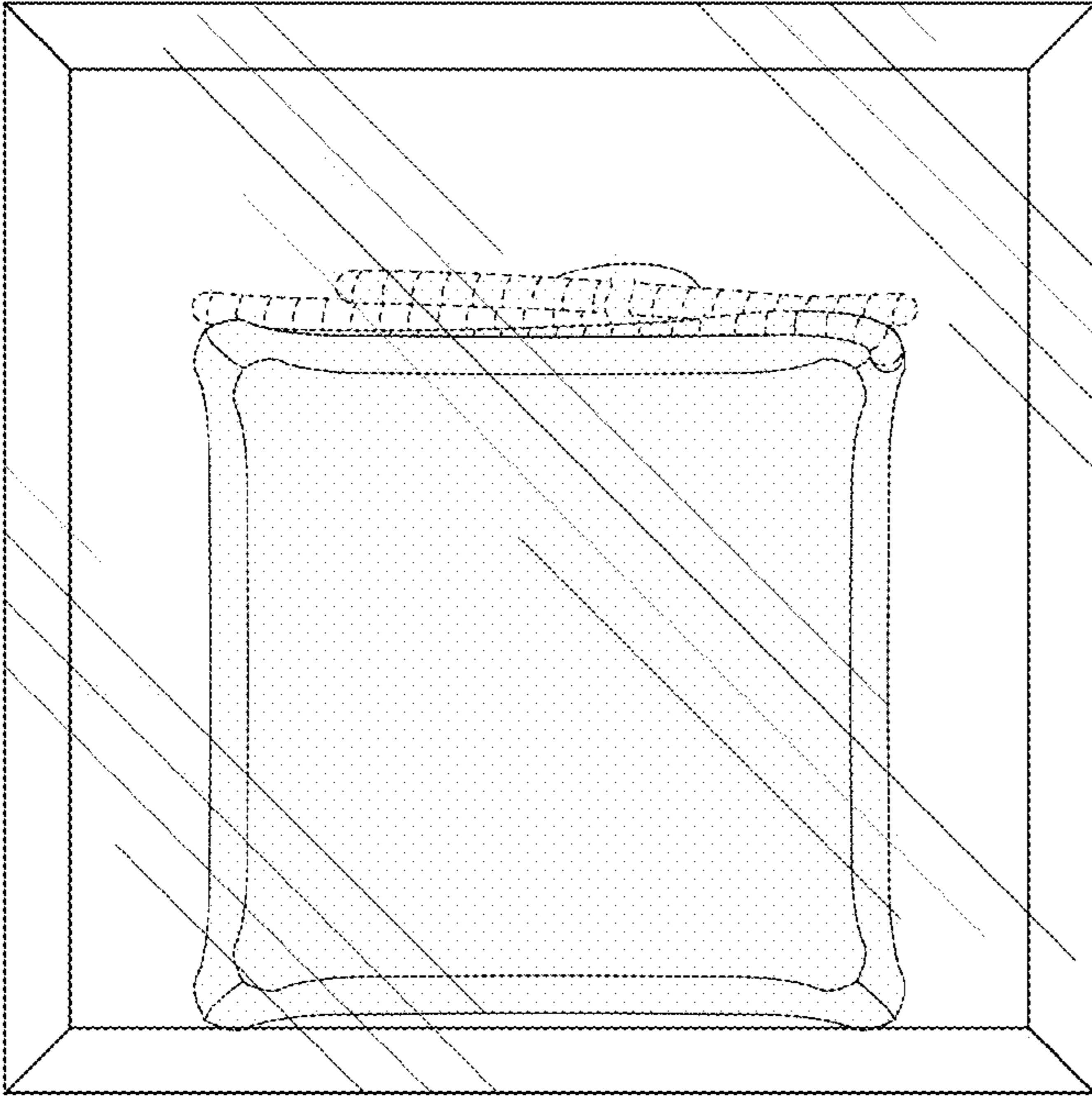


FIG. 5

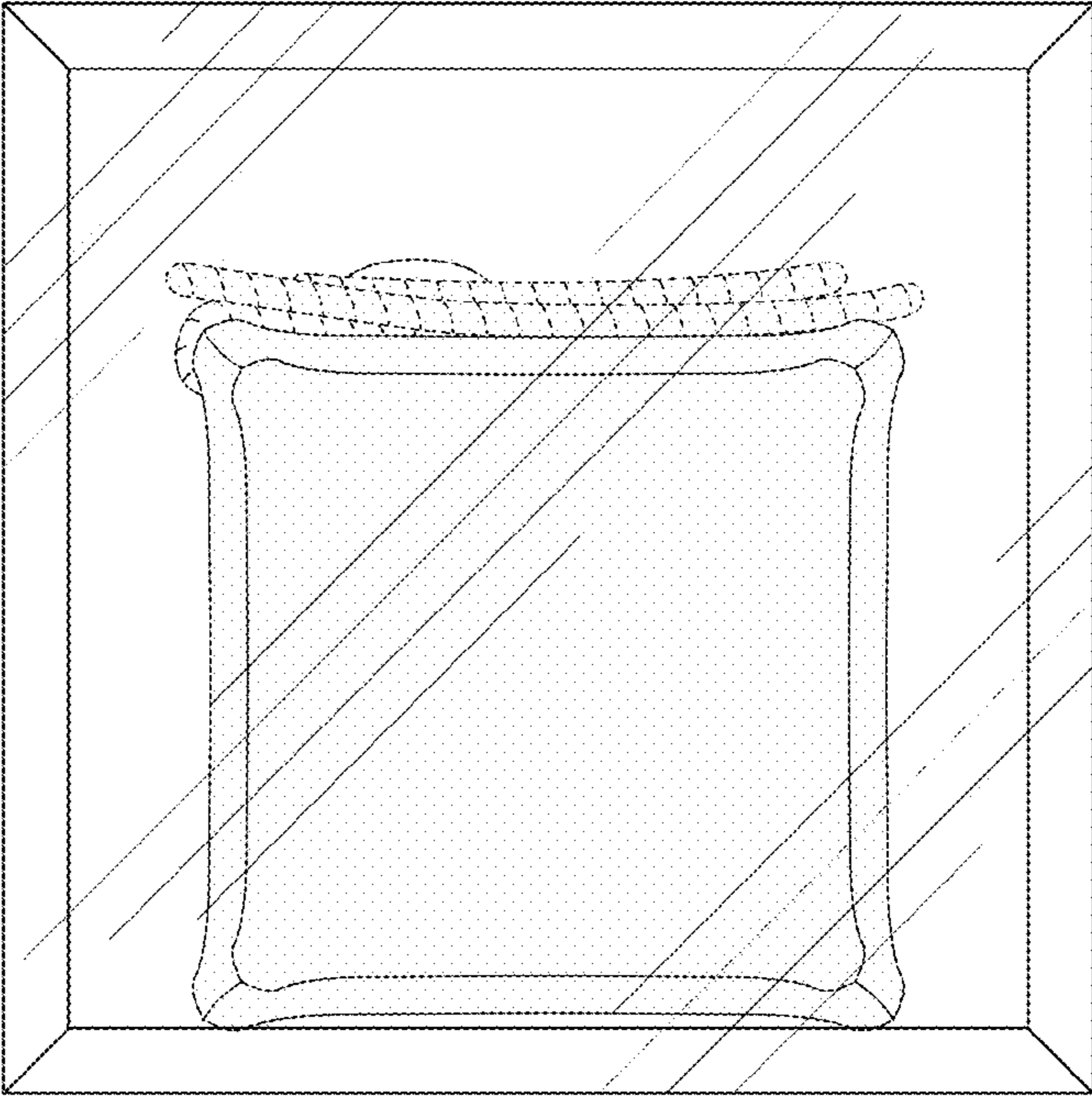


FIG. 6

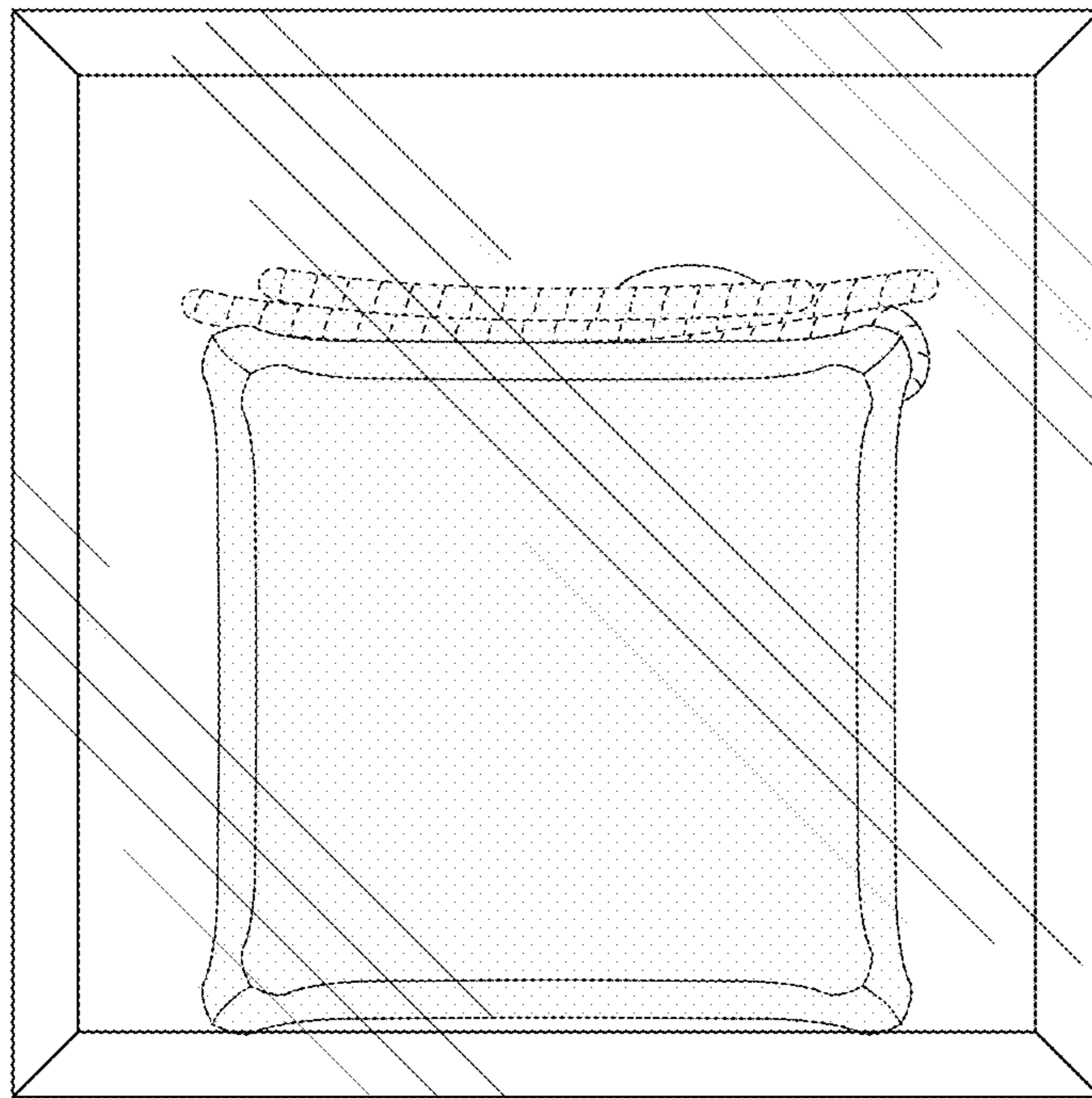


FIG. 7