



US00D745410S

(12) **United States Design Patent**
Glass et al.

(10) **Patent No.:** **US D745,410 S**

(45) **Date of Patent:** **** Dec. 15, 2015**

(54) **CHARACTER GIFT BOX**

(71) Applicant: **Gift Card Impressions, LLC**, Kansas City, MO (US)

(72) Inventors: **Brett R. Glass**, Kansas City, MO (US);
Nicole E. Glass, Kansas City, MO (US)

(73) Assignee: **Gift Card Impressions, LLC**, Kansas City, MO (US)

(**) Term: **14 Years**

(21) Appl. No.: **29/511,310**

(22) Filed: **Dec. 9, 2014**

(51) **LOC (10) Cl.** **09-01**

(52) **U.S. Cl.**

USPC **D9/601**; D9/431

(58) **Field of Classification Search**

USPC D9/600–611, 702–706, 414–418,
D9/430–434; 229/116.1, 116.2, 117.16,
229/117.24, 117.25, 162.1, 162.3, 238;
206/223, 232, 233, 457; D3/235,
D3/270–271.3; D21/617–618, 659

CPC B65D 67/00; B65D 33/00; A45C 13/08

See application file for complete search history.

(56) **References Cited**

U.S. PATENT DOCUMENTS

5,613,312 A * 3/1997 Crowell 206/457
D688,939 S * 9/2013 Pearson et al. D9/431
D693,676 S * 11/2013 Pearson et al. D9/431

OTHER PUBLICATIONS

Dog Party Favor Box, posted Sep. 22, 2014. http://martyna_debiec_7545t.loveitsomuch.com/stores/dog-party-favor-box-puppy-gift-box-1411396580.1174689.htm1/162680.*

Primary Examiner — Sandra Morris

(74) *Attorney, Agent, or Firm* — Polsinelli PC

(57) **CLAIM**

The ornamental design for a character gift box, as shown and described.

DESCRIPTION

FIG. 1 is a perspective view of a character gift box according to an embodiment of the invention shown in an open disposition;

FIG. 2 is a front elevation view of the gift box of FIG. 1;

FIG. 3 is a rear elevation view of the gift box of FIG. 1;

FIG. 4 is a right elevation view of the gift box of FIG. 1;

FIG. 5 is a left elevation view of the gift box of FIG. 1;

FIG. 6 is a top plan view of the gift box of FIG. 1;

FIG. 7 is a bottom plan view of the gift box of FIG. 1;

FIG. 8 is a perspective view of the character gift box of FIG. 1 shown in a closed disposition;

FIG. 9 is a front elevation view of the gift box of FIG. 8;

FIG. 10 is a rear elevation view of the gift box of FIG. 8;

FIG. 11 is a right elevation view of the gift box of FIG. 8;

FIG. 12 is a left elevation view of the gift box of FIG. 8;

FIG. 13 is a top plan view of the gift box of FIG. 8;

FIG. 14 is a bottom plan view of the gift box of FIG. 8;

FIG. 15 is a perspective view of an embodiment of the character gift box of FIG. 1 shown in an open disposition;

FIG. 16 is a front elevation view of the gift box of FIG. 15;

FIG. 17 is a rear elevation view of the gift box of FIG. 15;

FIG. 18 is a perspective view of the character gift box of FIG. 15 shown in a closed disposition;

FIG. 19 is a front elevation view of the gift box of FIG. 18;

FIG. 20 is a rear elevation view of the gift box of FIG. 18;

FIG. 21 is a perspective view of an embodiment of the character gift box of FIG. 1 shown in an open disposition;

FIG. 22 is a front elevation view of the gift box of FIG. 21;

FIG. 23 is a rear elevation view of the gift box of FIG. 21;

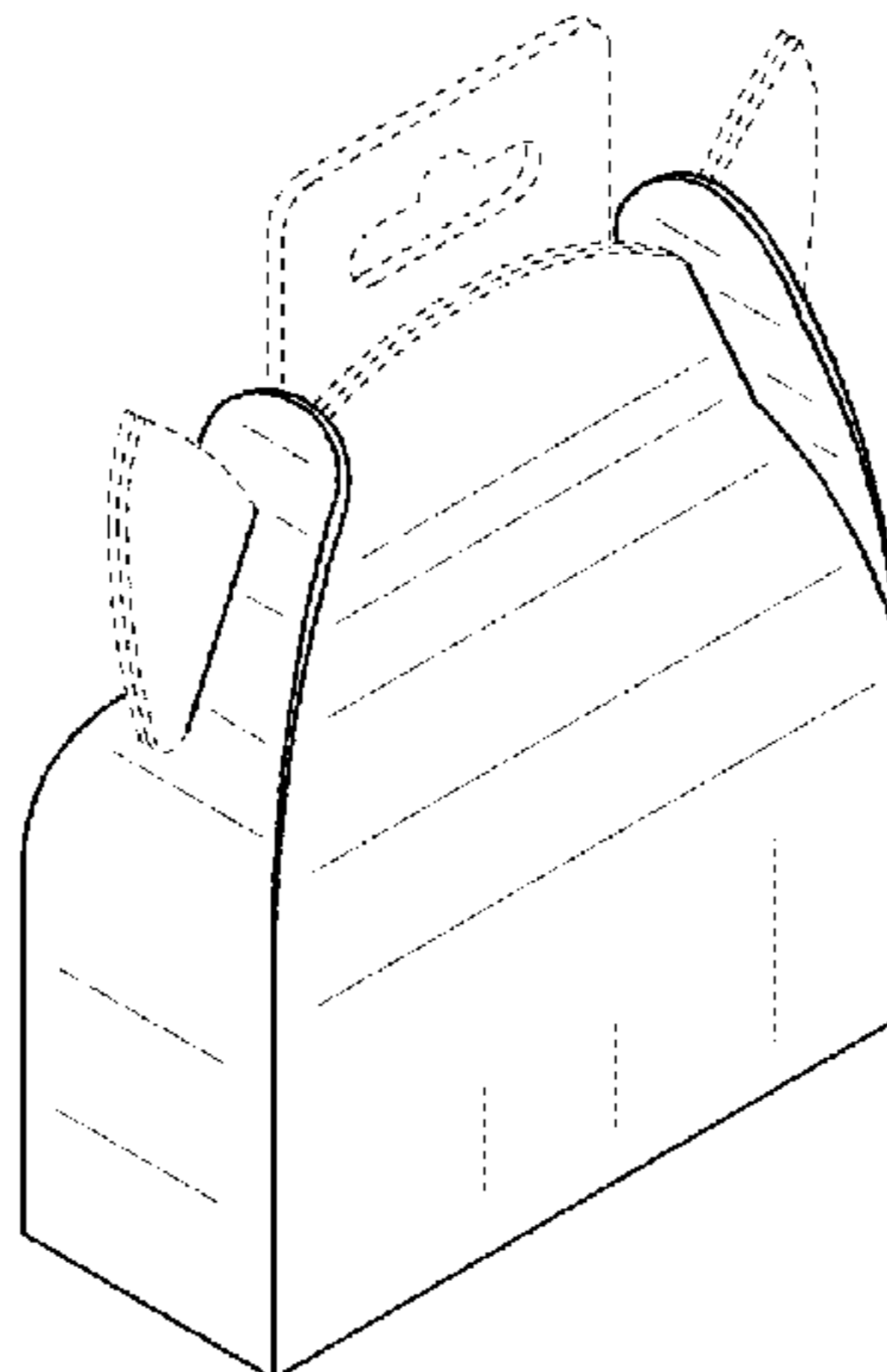
FIG. 24 is a perspective view of the character gift box of FIG. 21 shown in a closed disposition;

FIG. 25 is a front elevation view of the gift box of FIG. 24; and,

FIG. 26 is a rear elevation view of the gift box of FIG. 24.

The broken line showing is for illustrative purposes only, and forms no part of the claimed design.

1 Claim, 8 Drawing Sheets



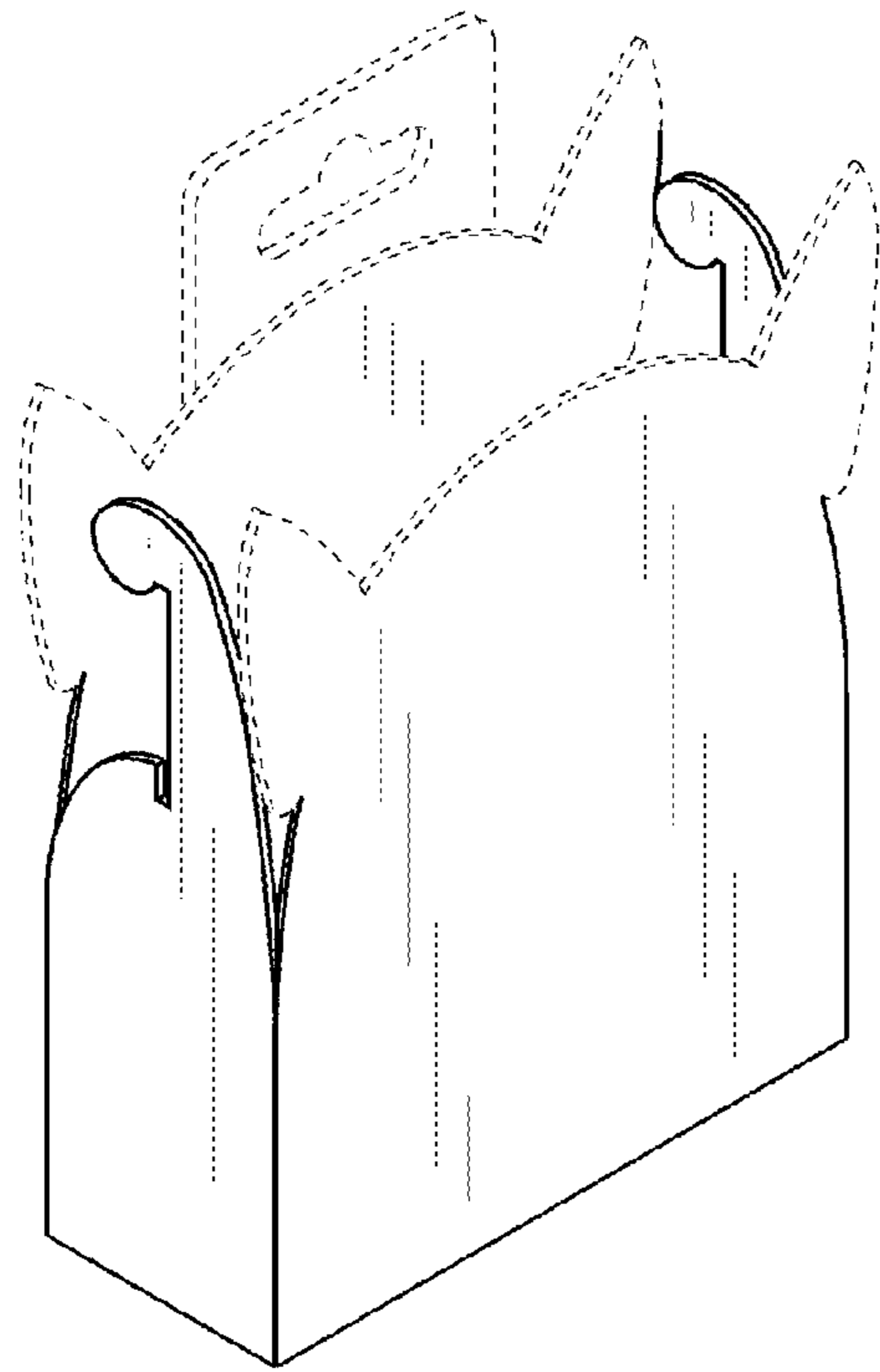


FIG. 1

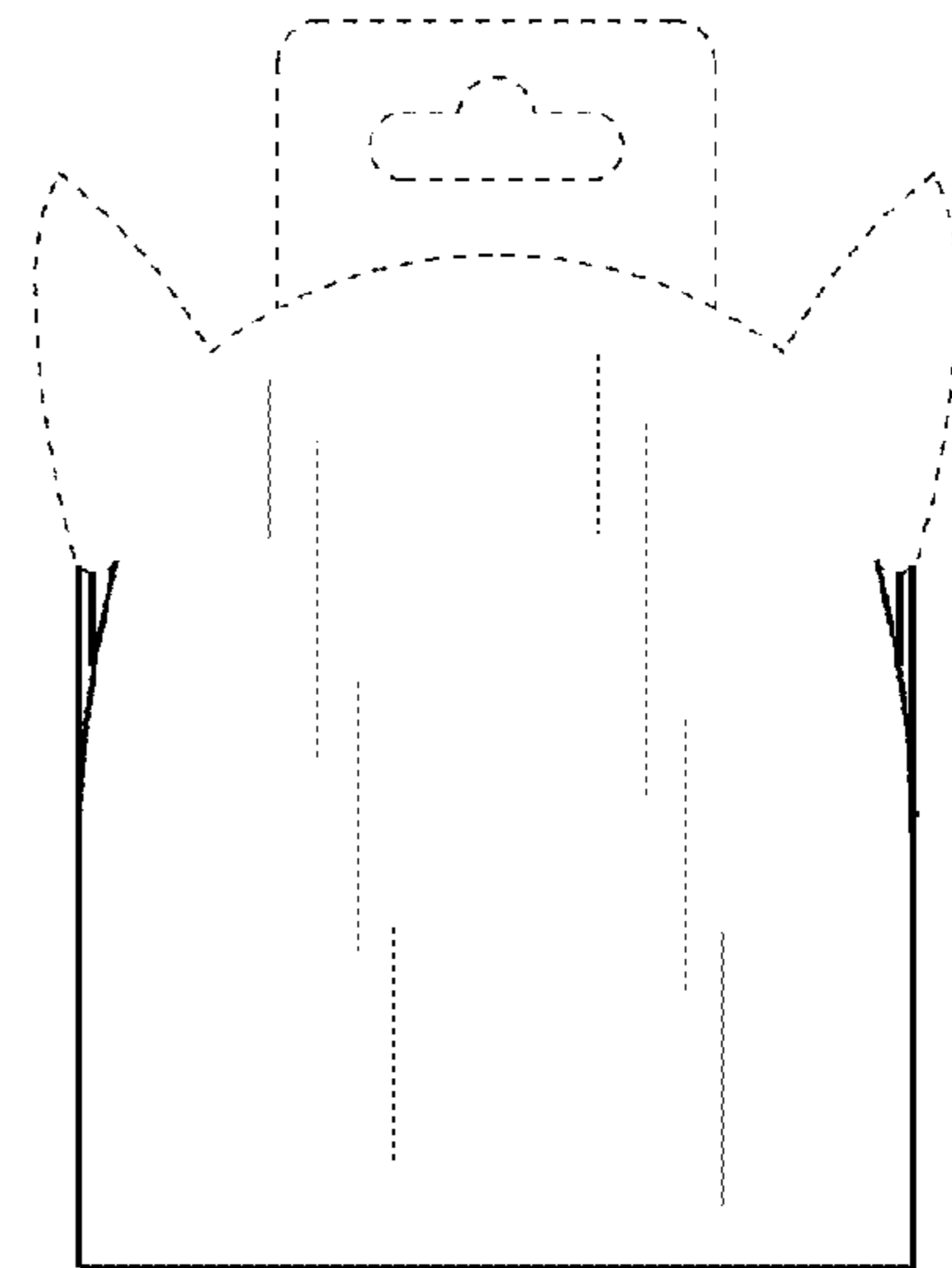


FIG. 2

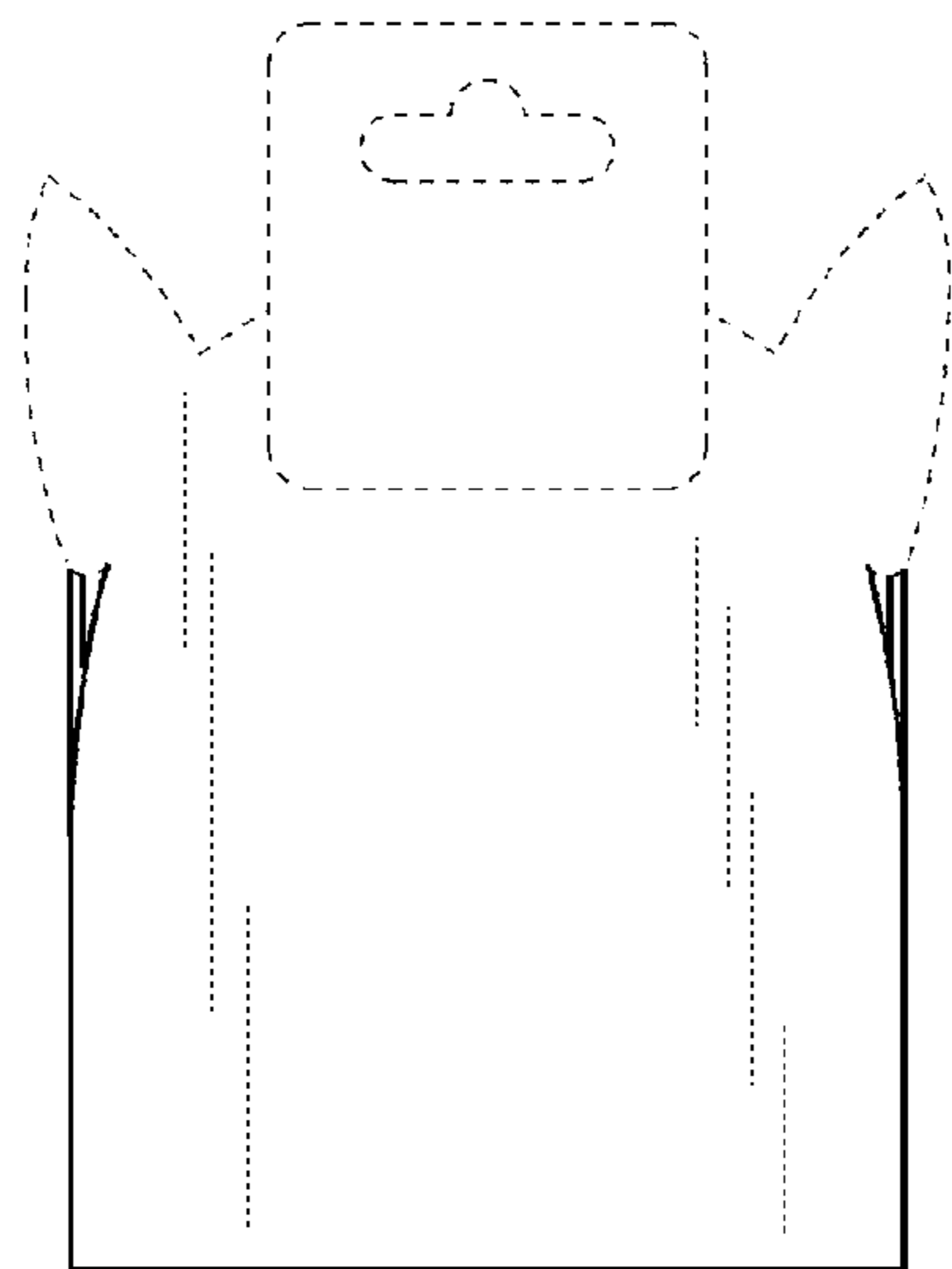


FIG. 3

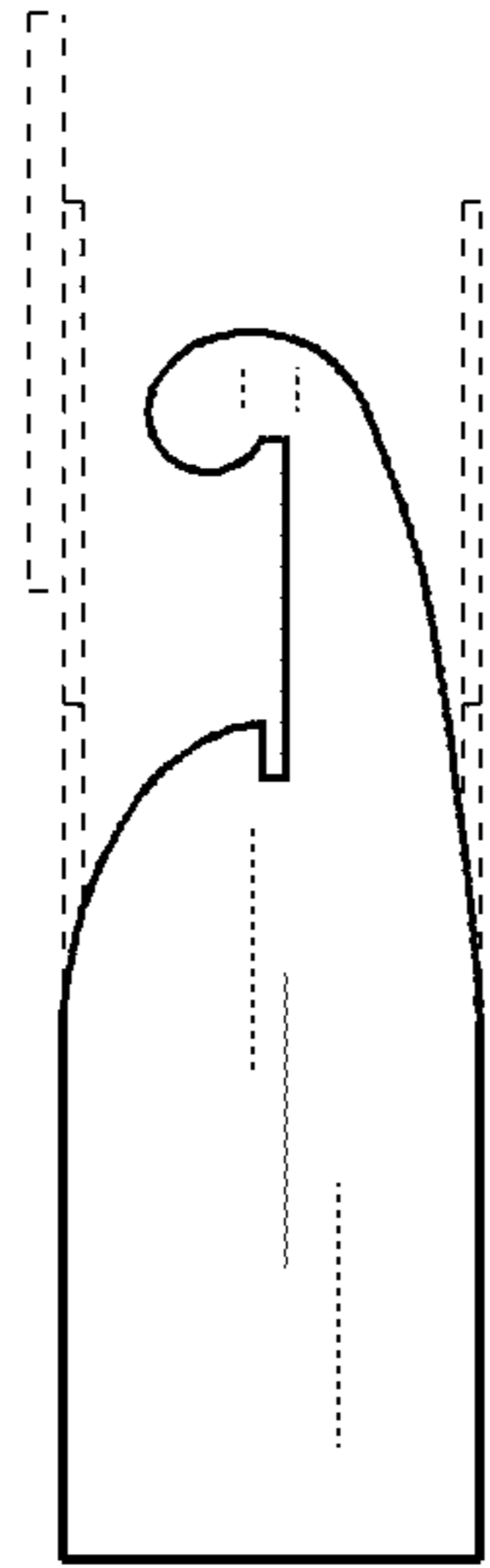


FIG. 4

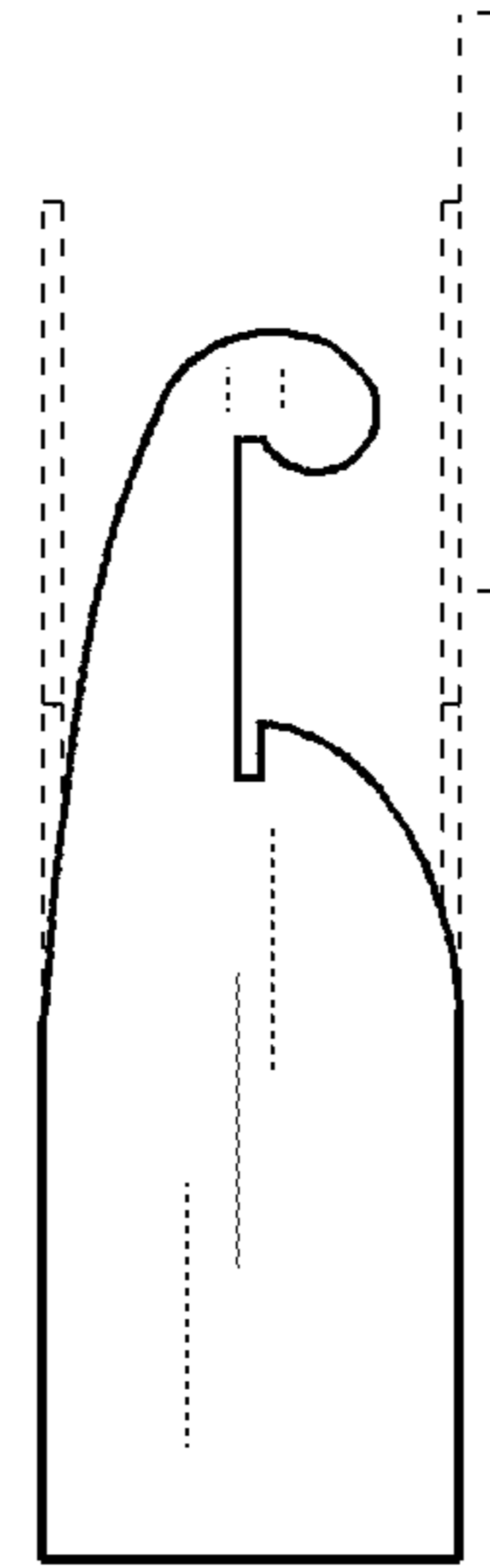


FIG. 5

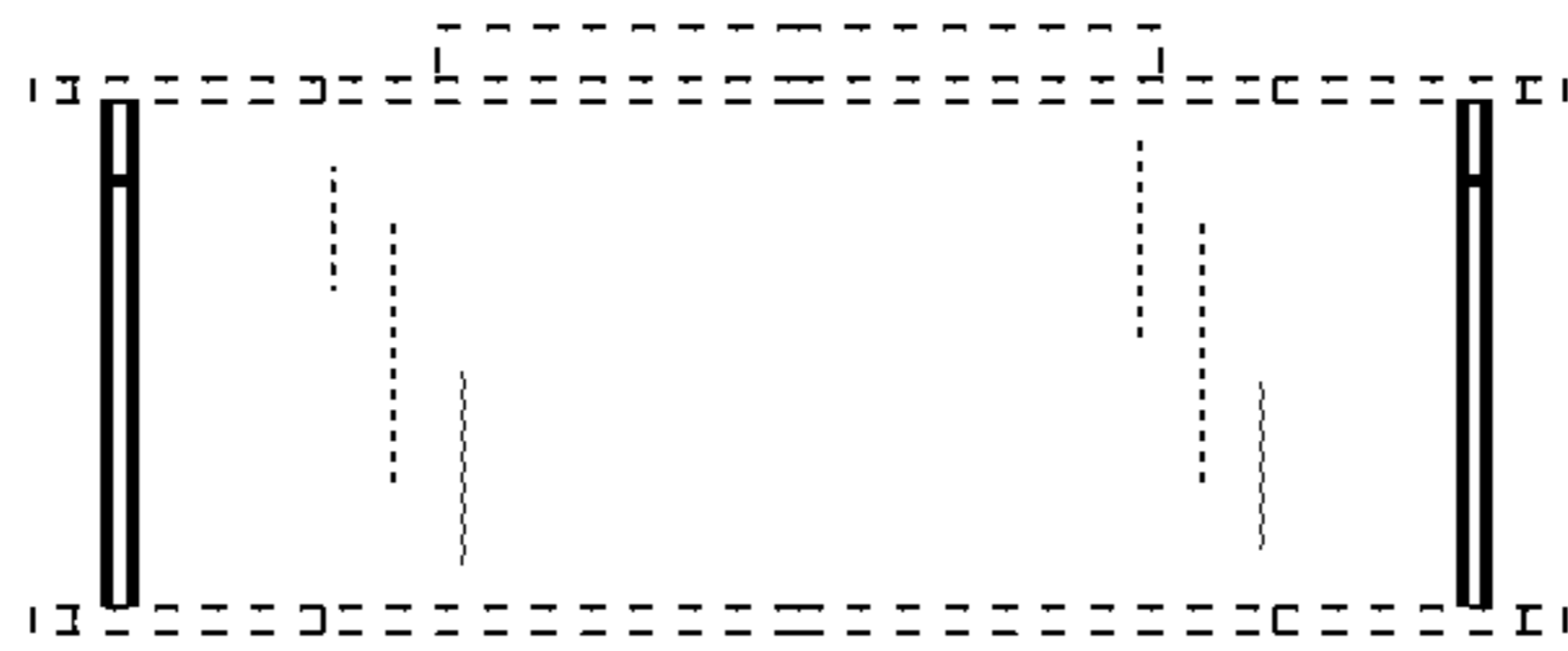


FIG. 6

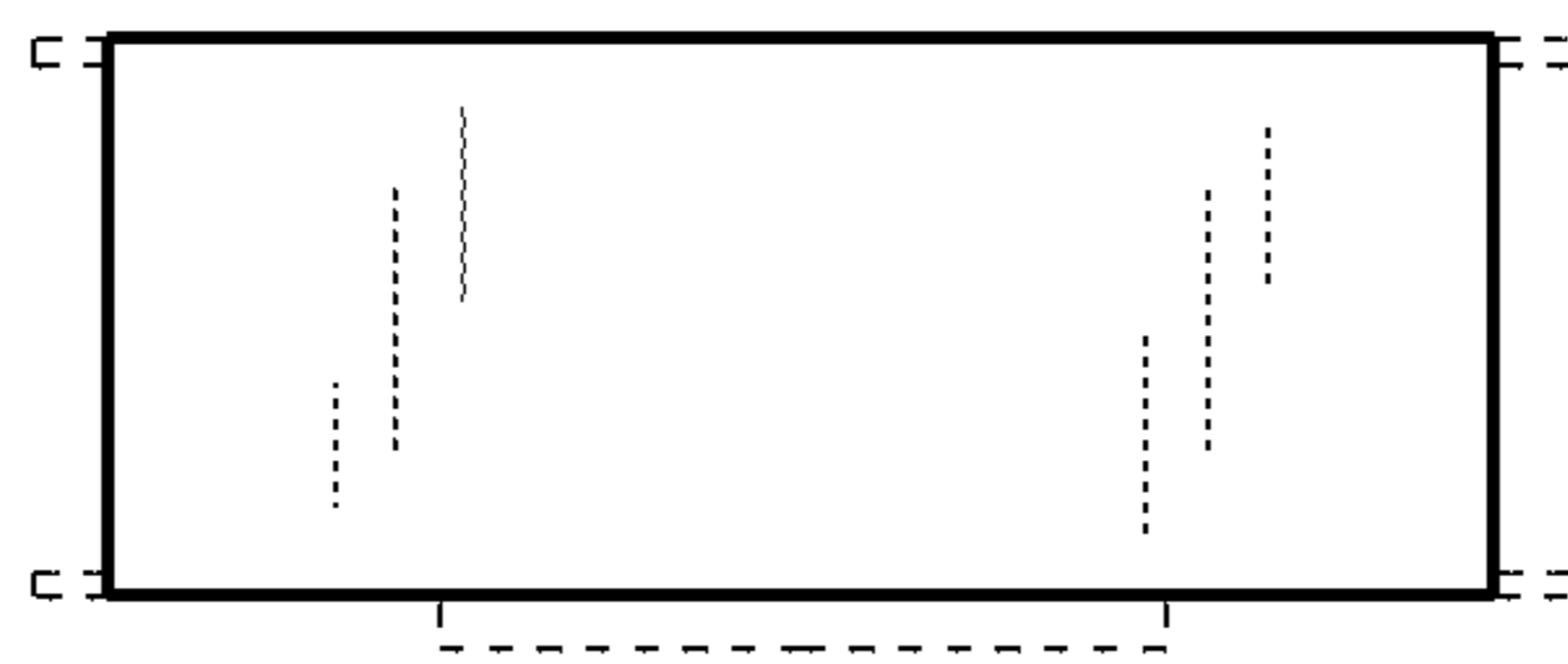


FIG. 7

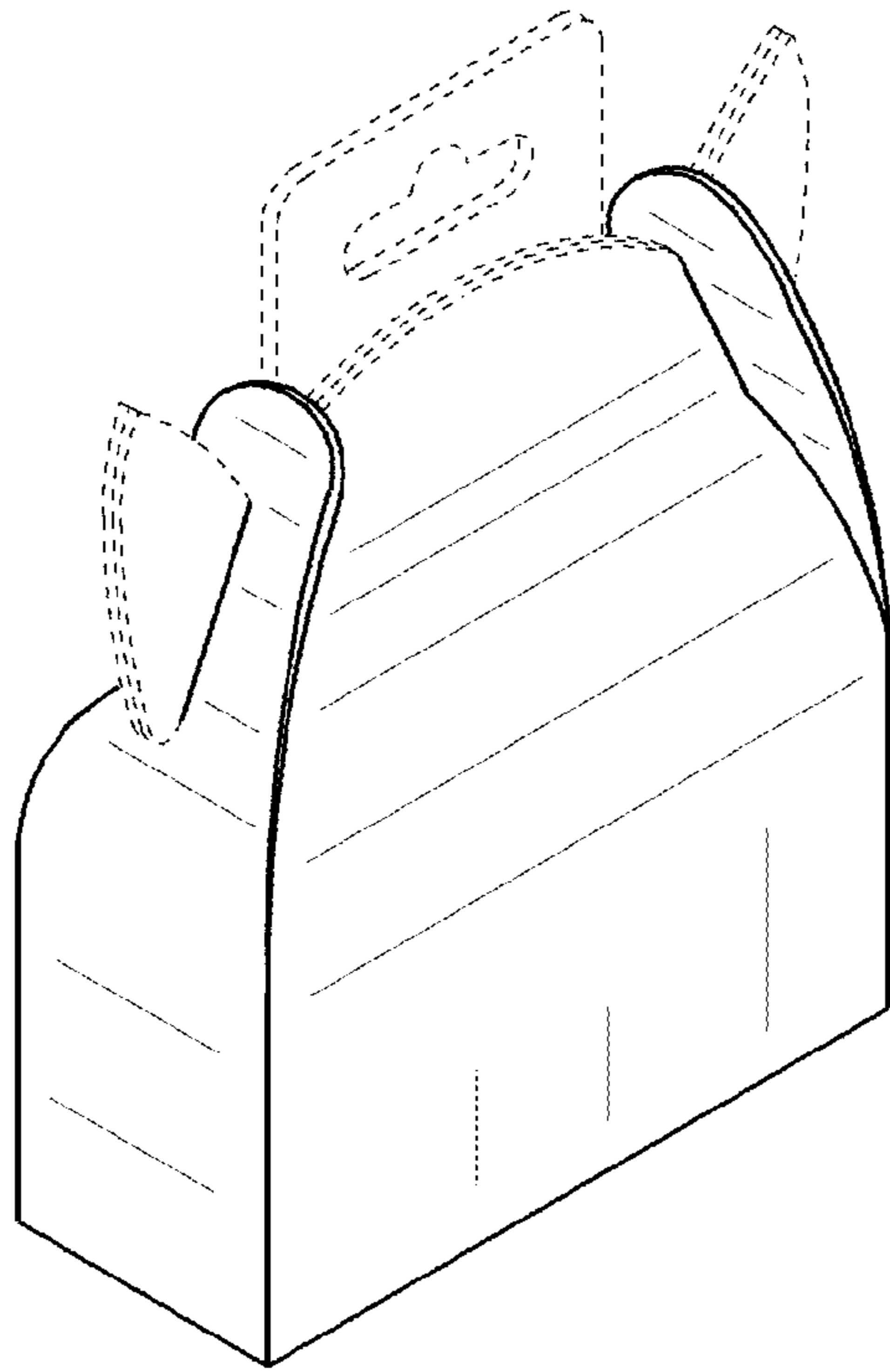


FIG. 8

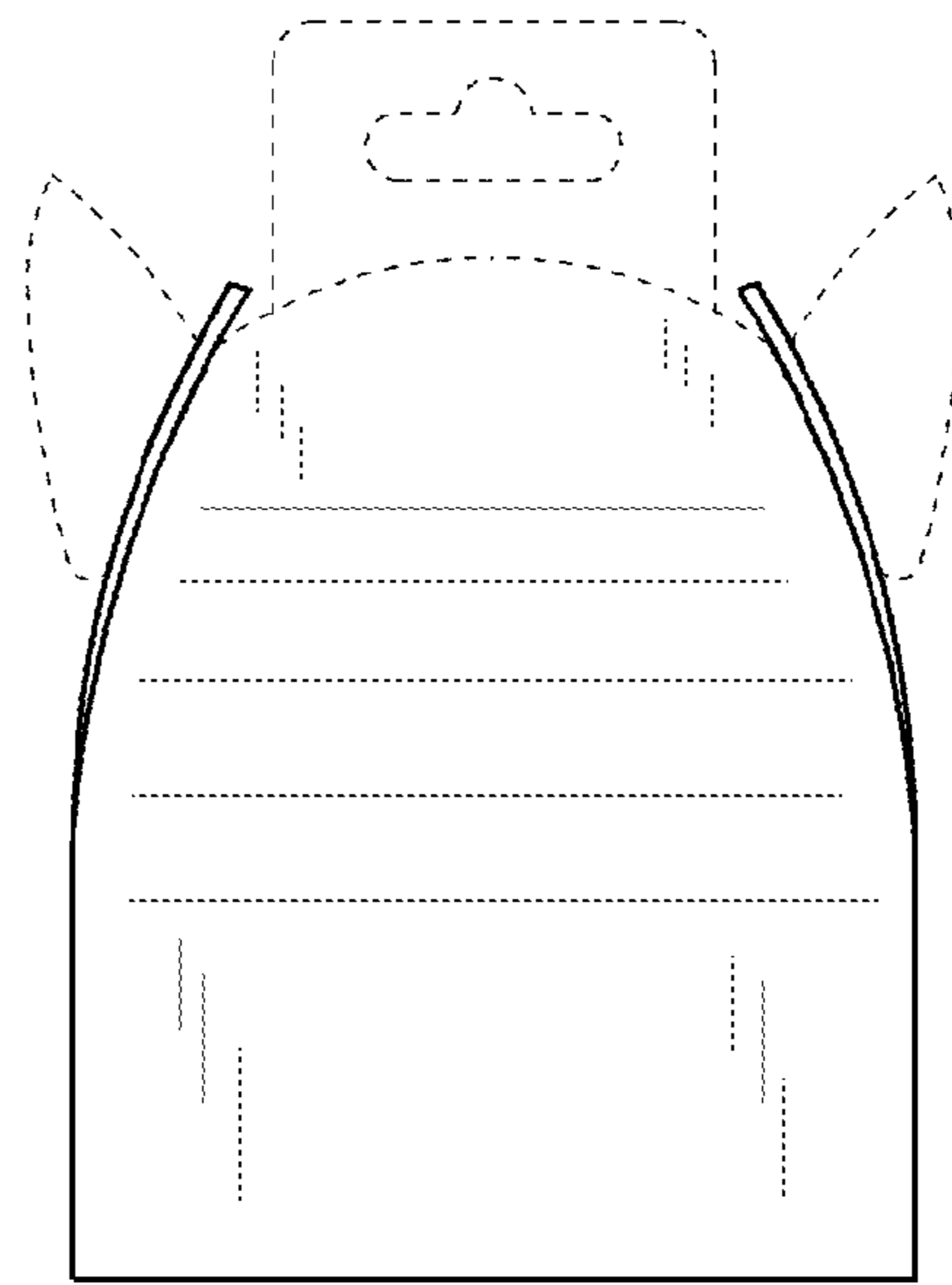


FIG. 9

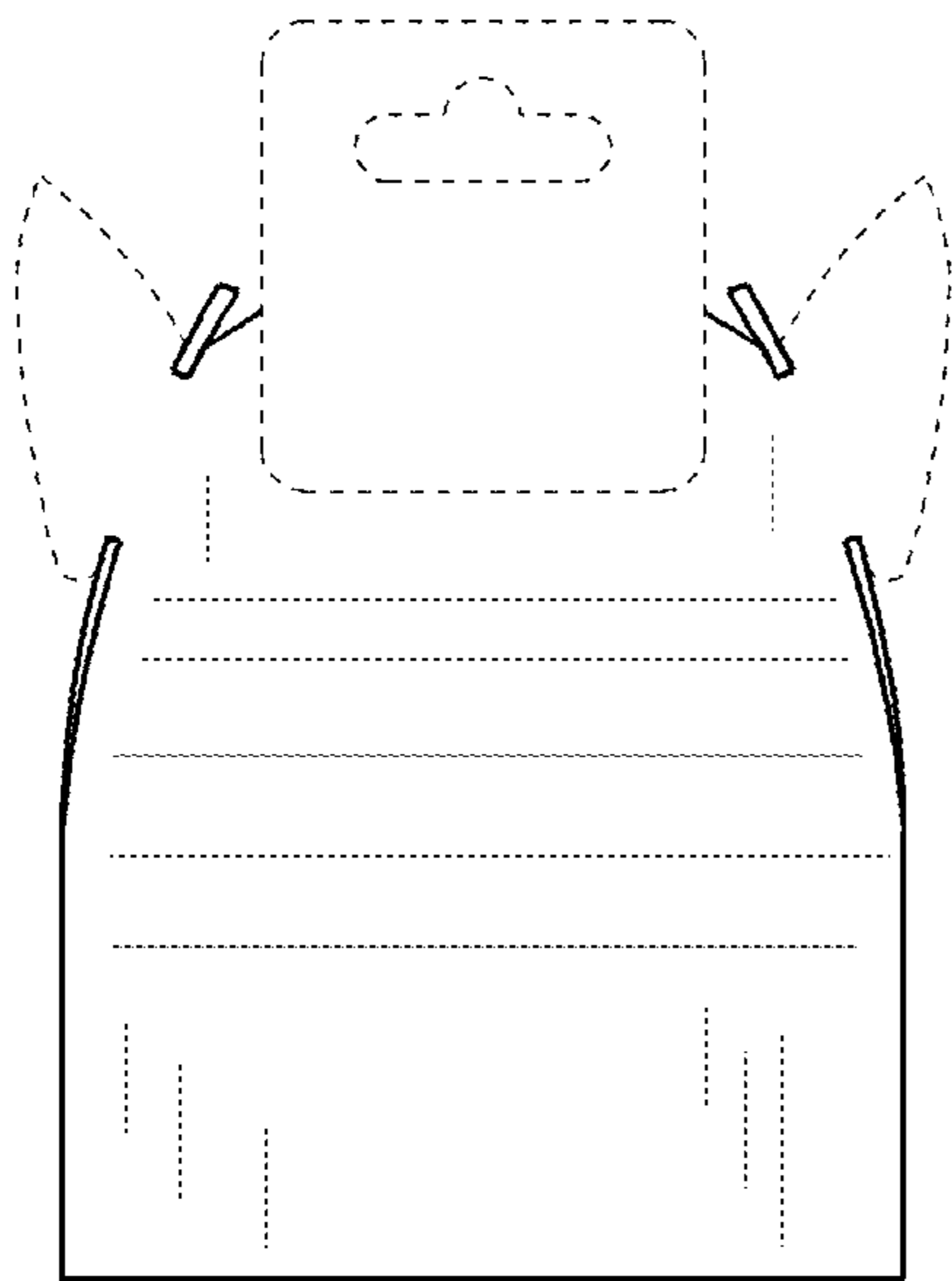


FIG. 10

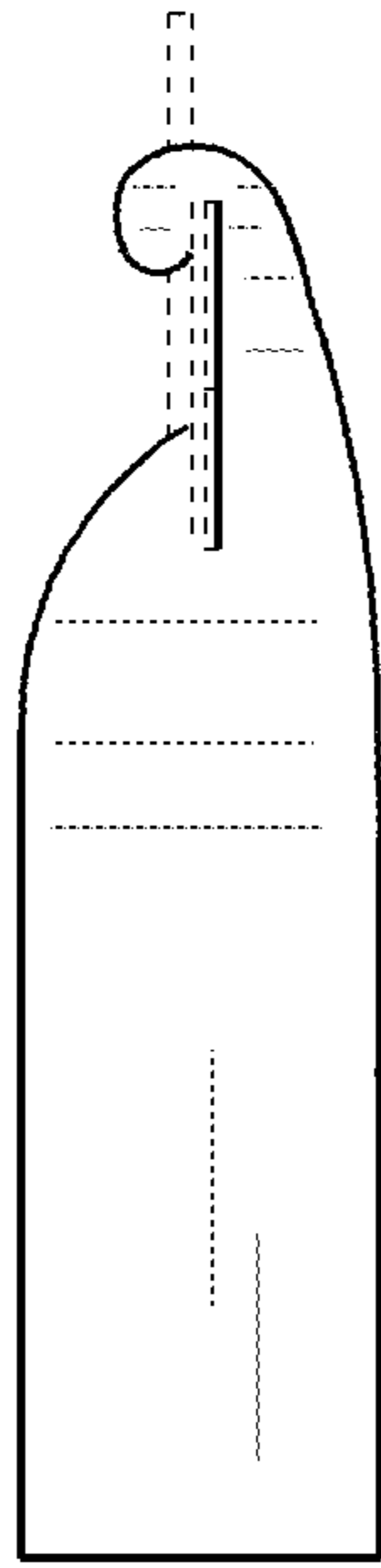


FIG. 11



FIG. 12

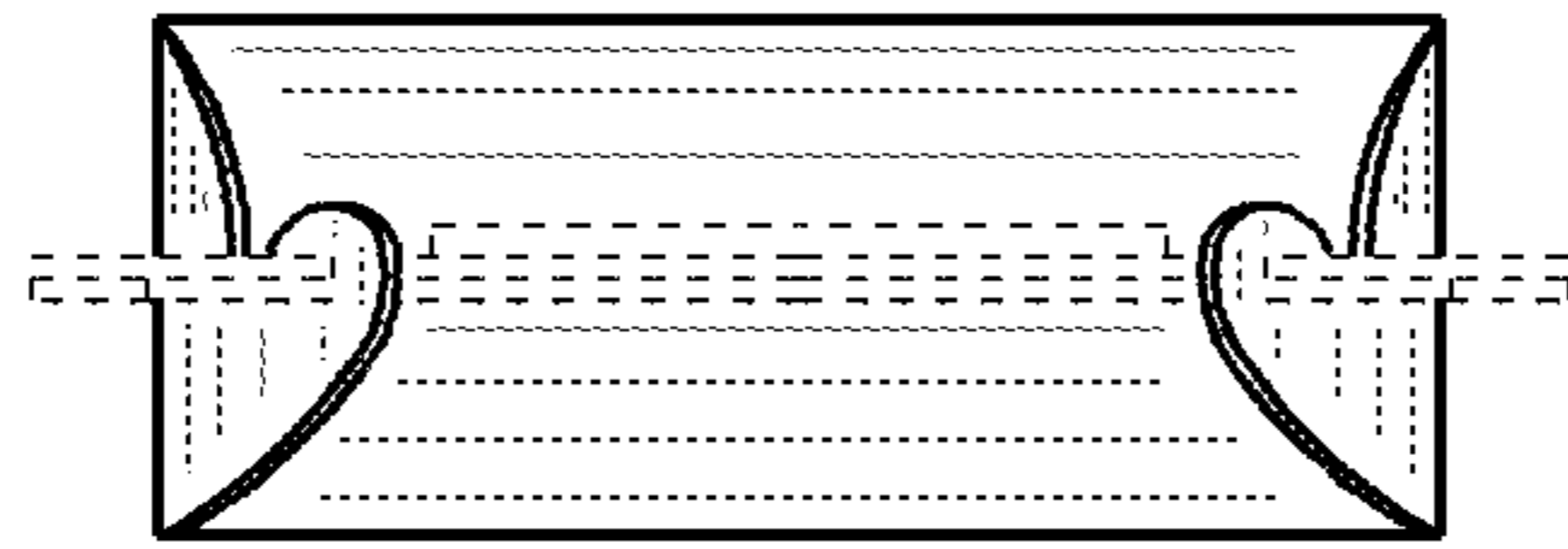


FIG. 13



FIG. 14

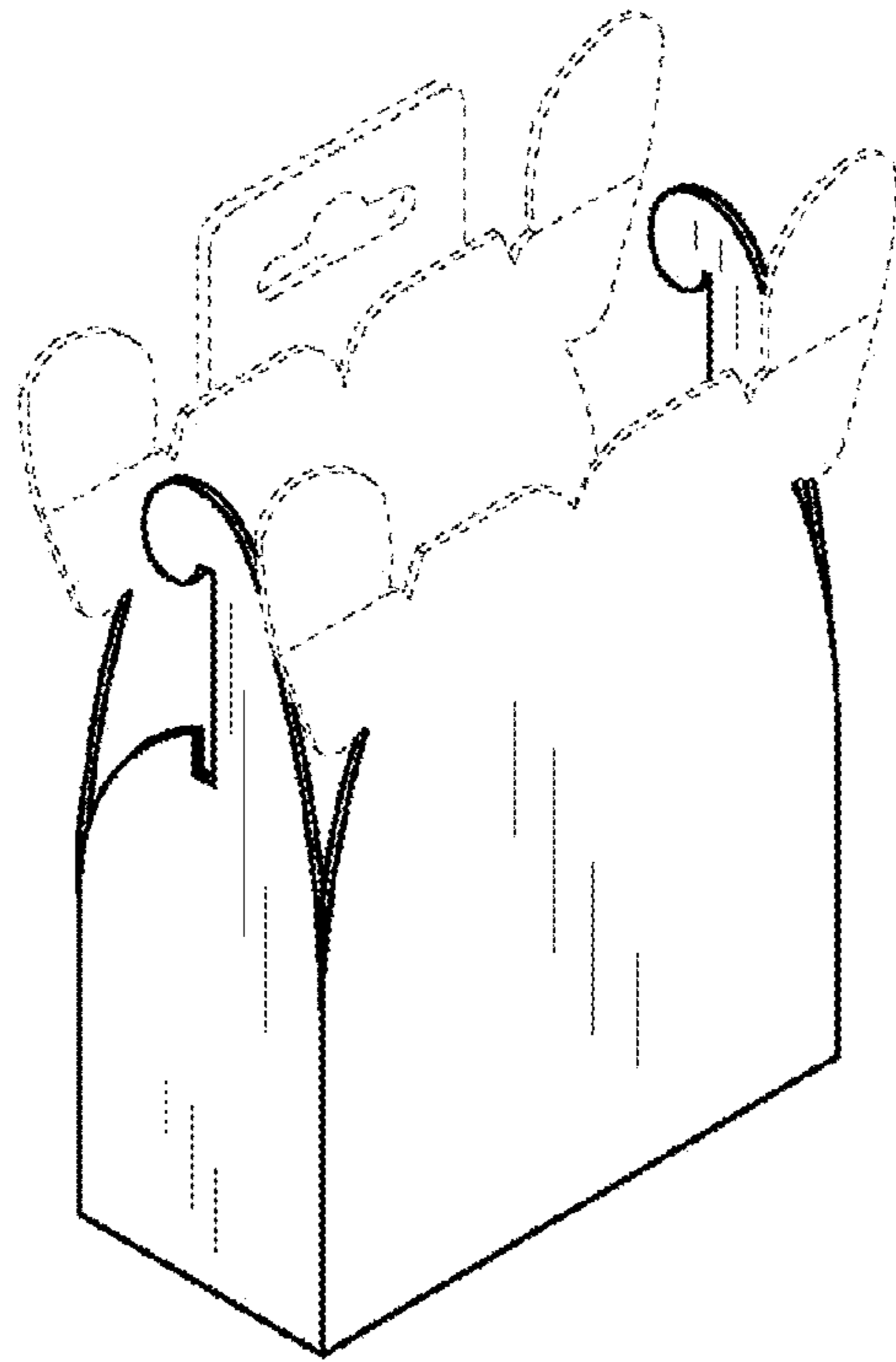


FIG. 15

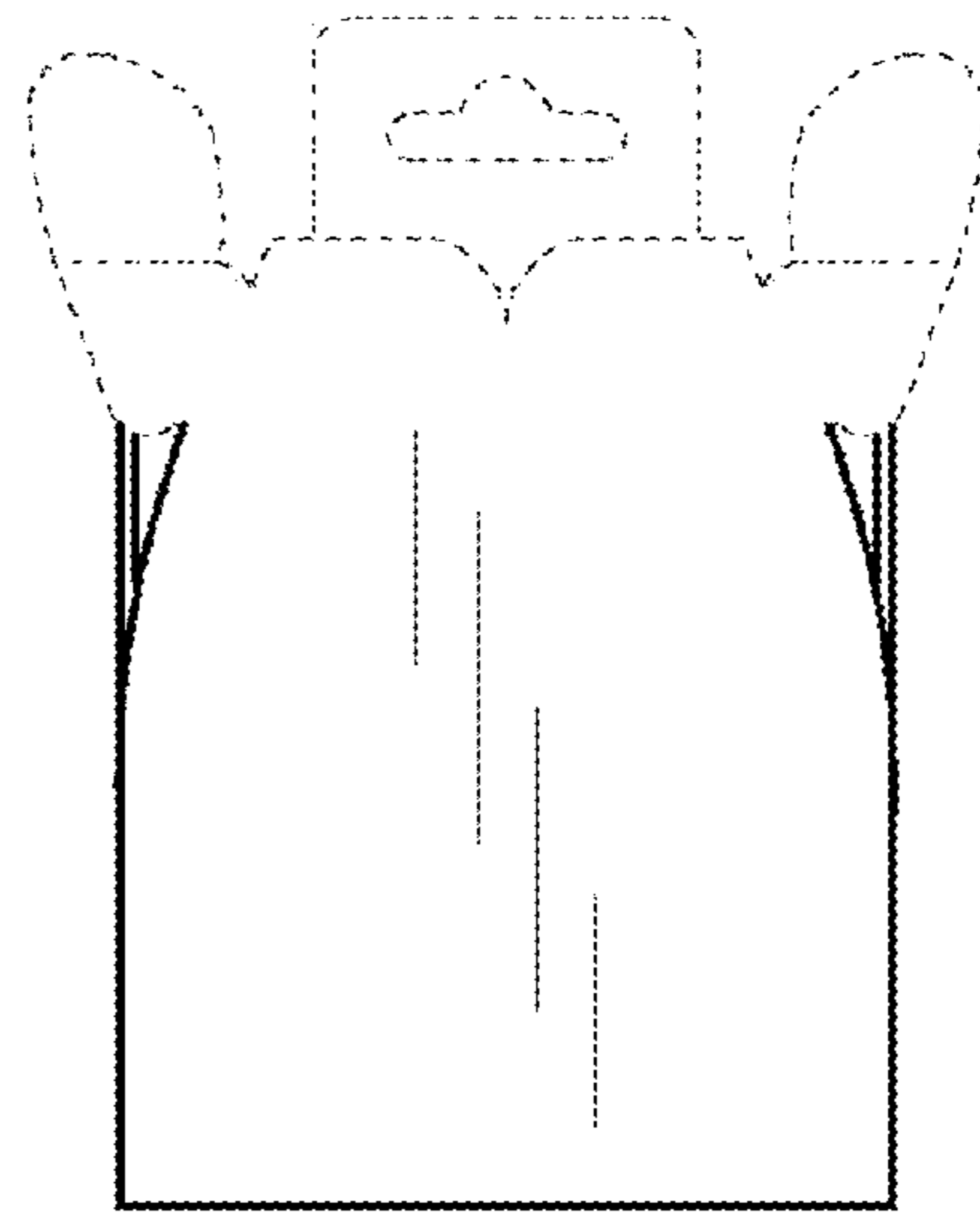


FIG. 16

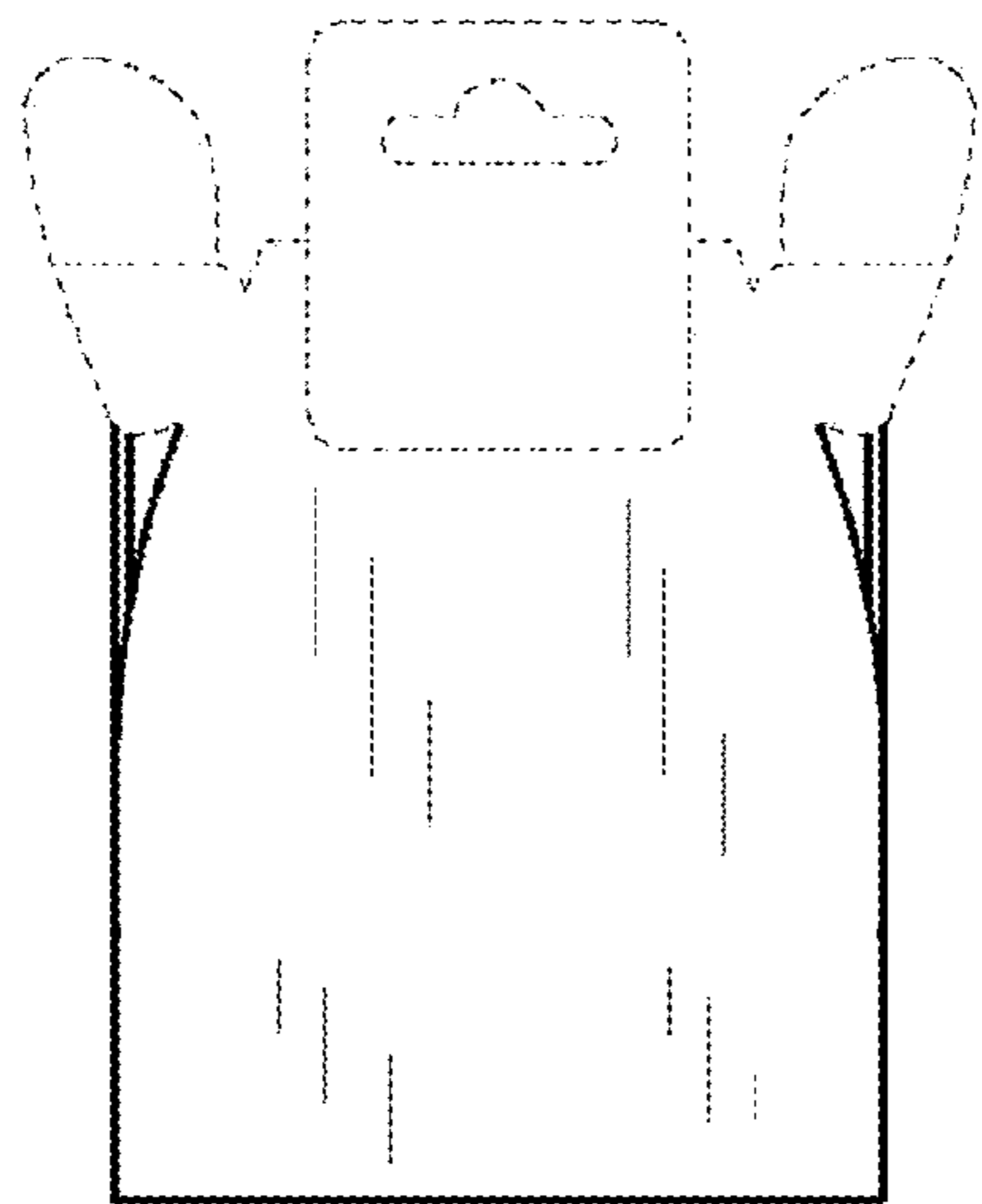


FIG. 17

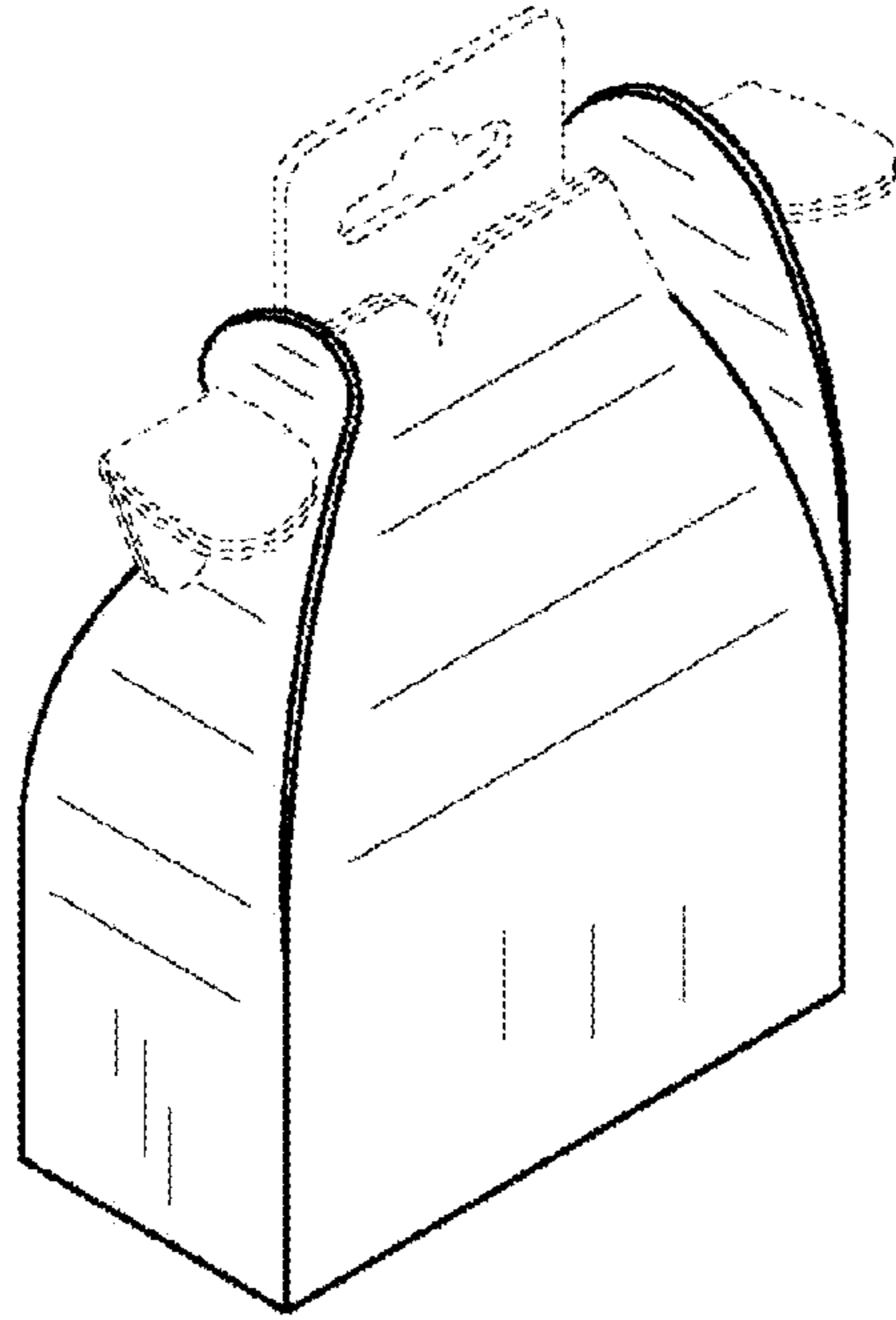


FIG. 18

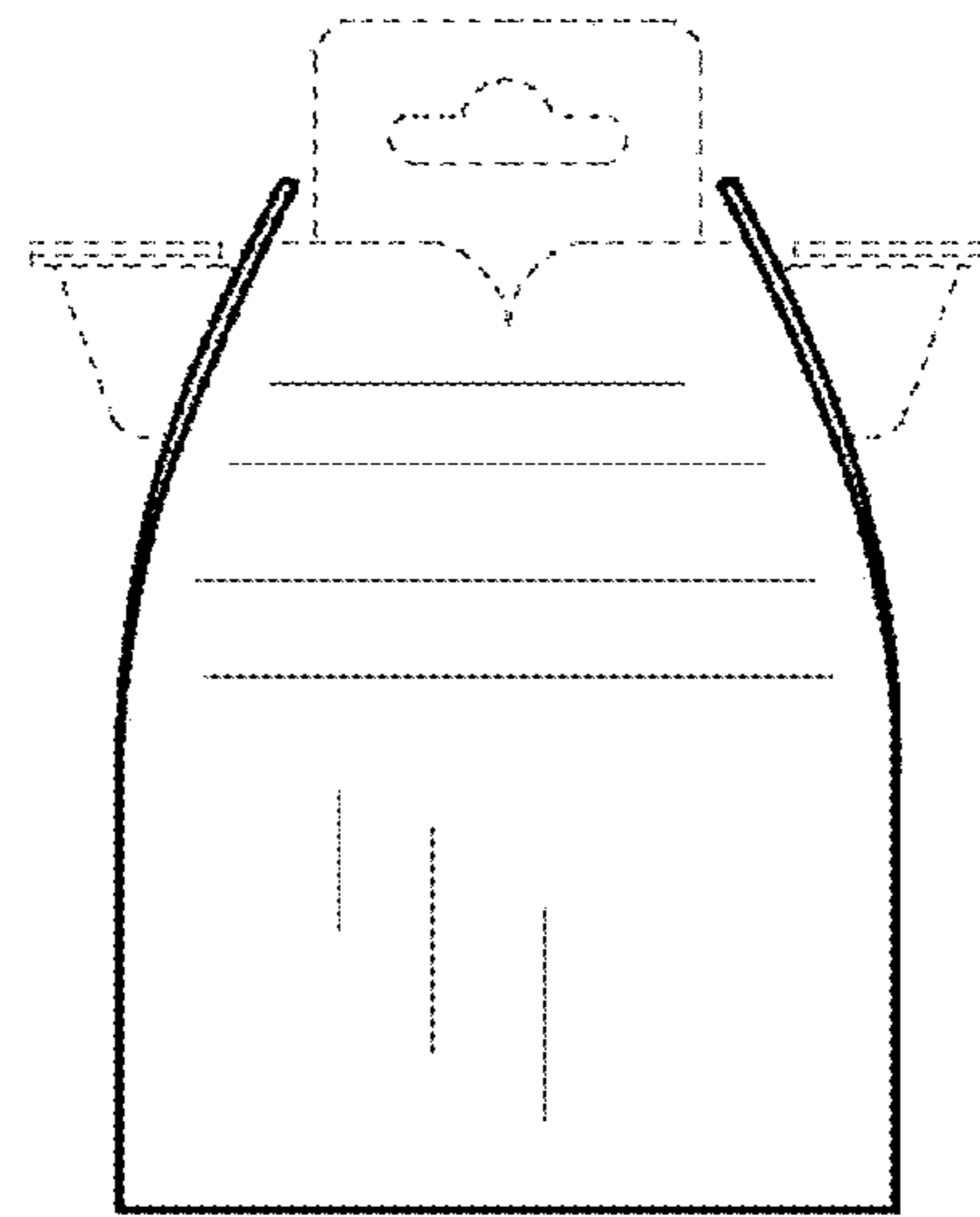


FIG. 19

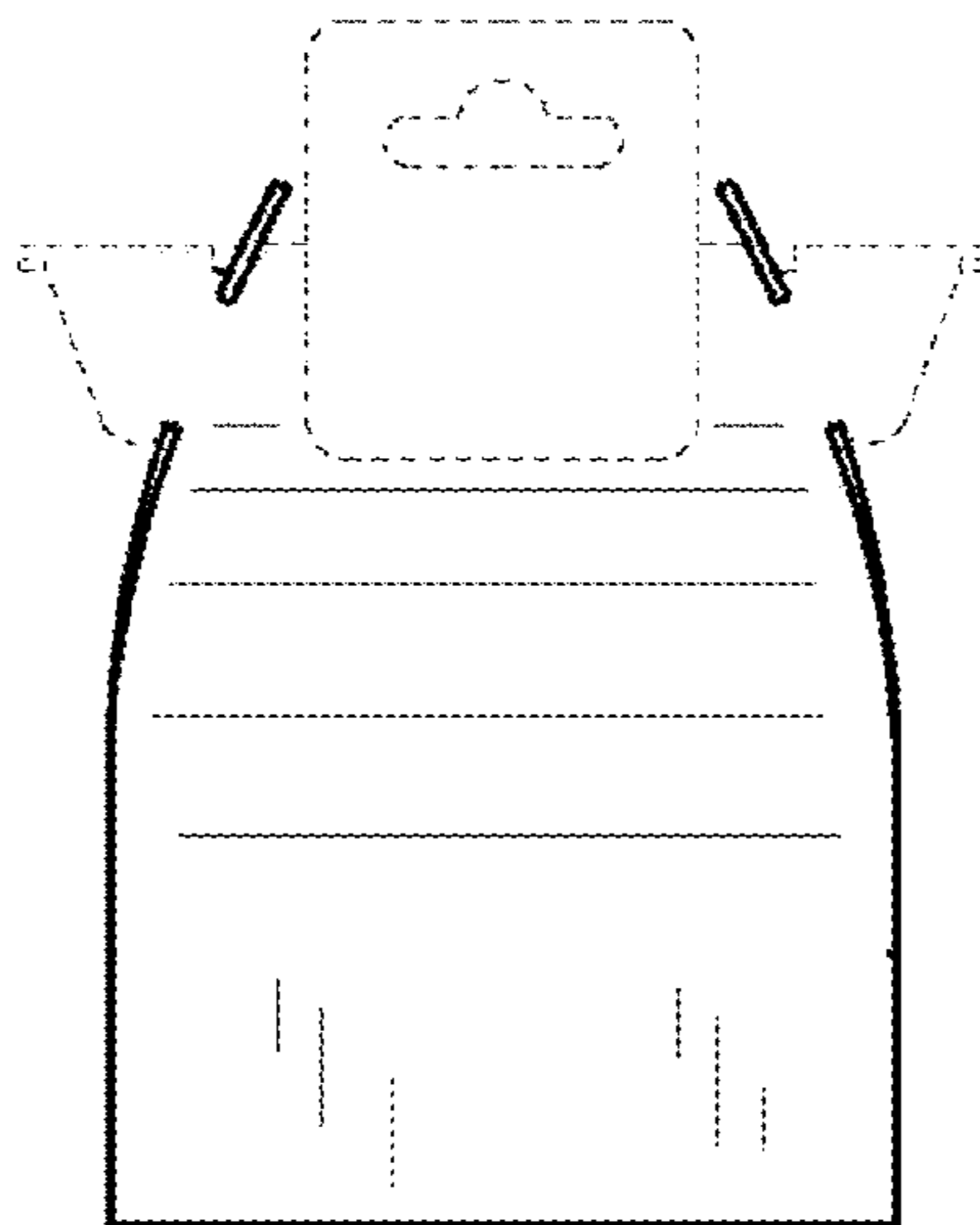


FIG. 20

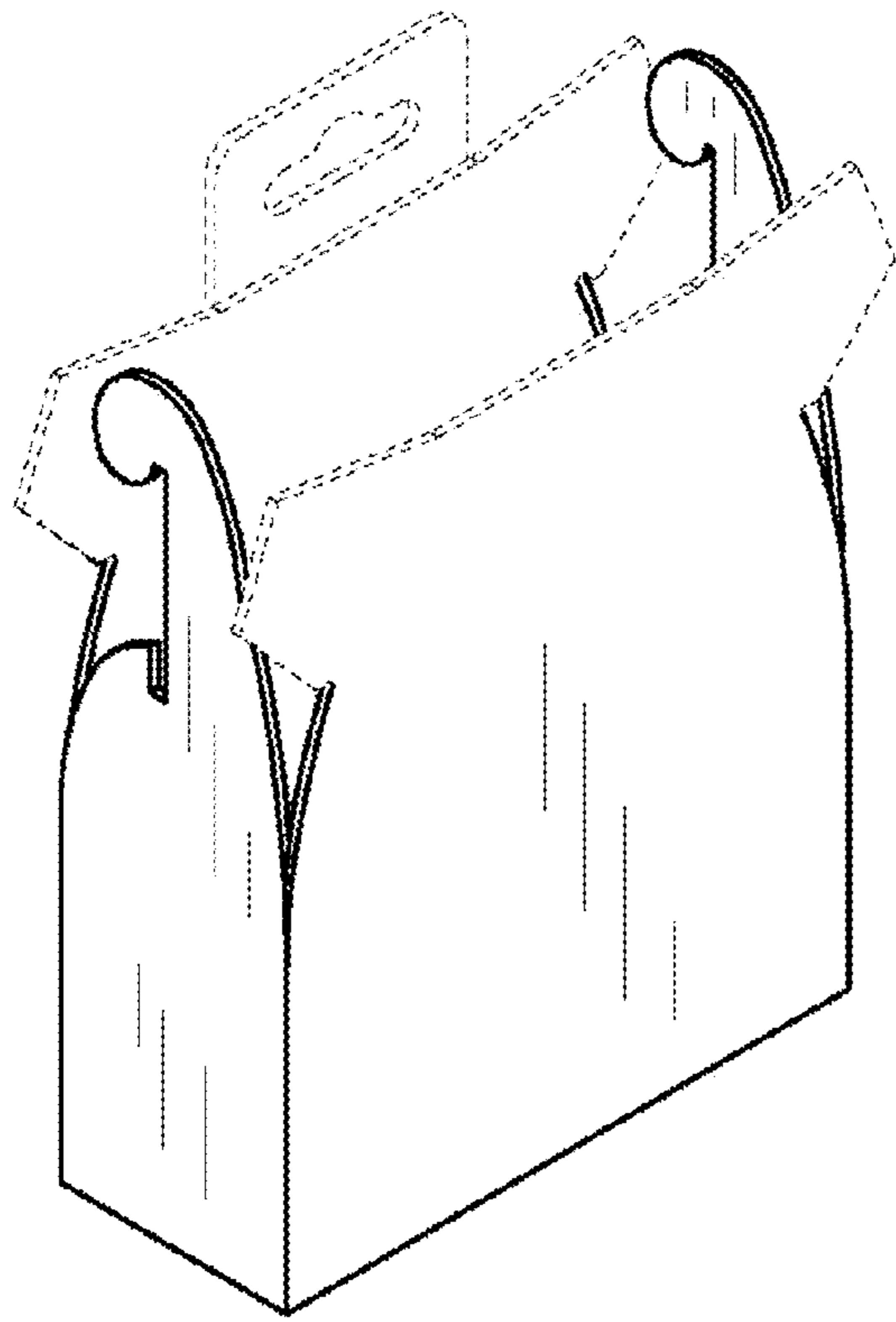


FIG. 21

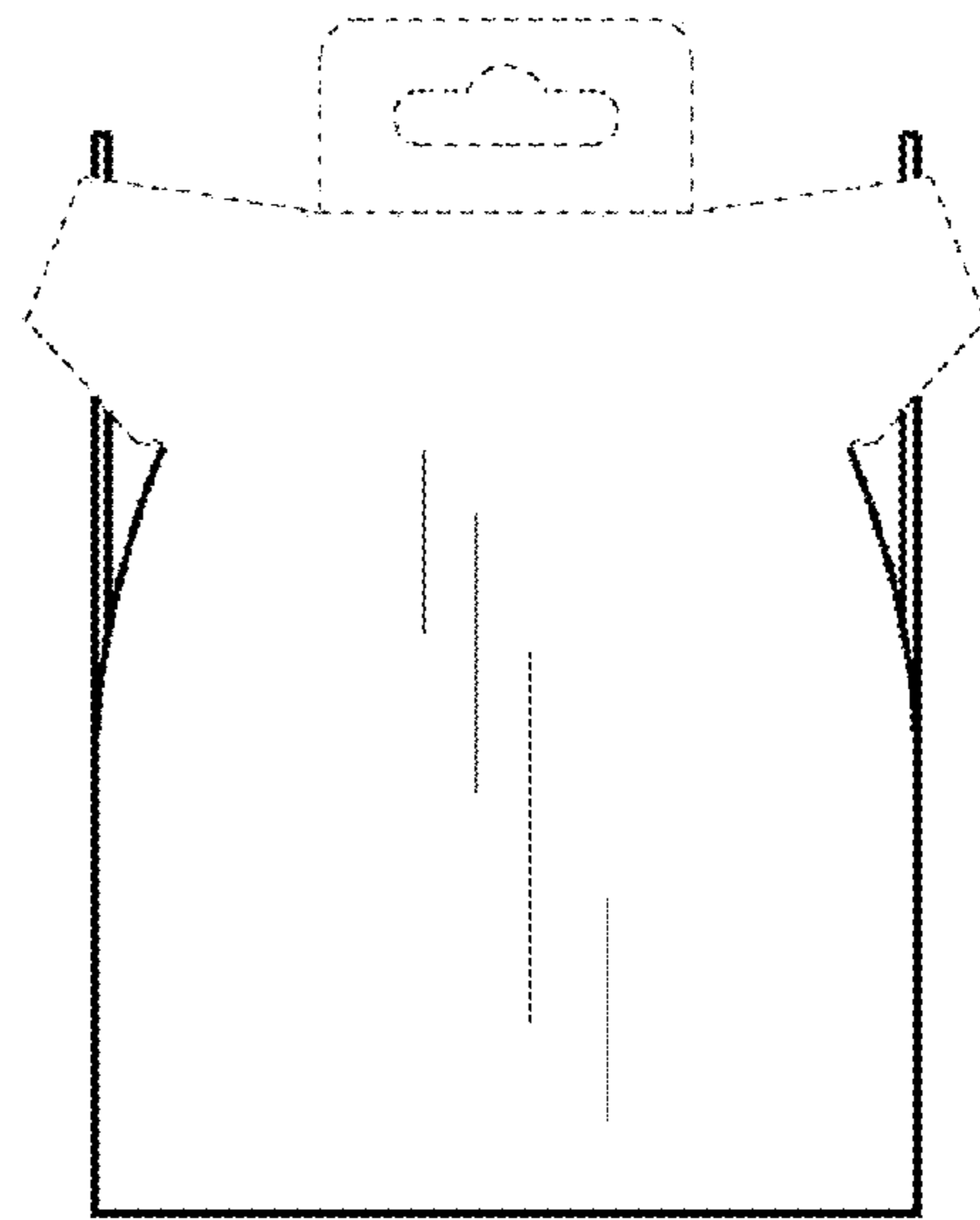


FIG. 22

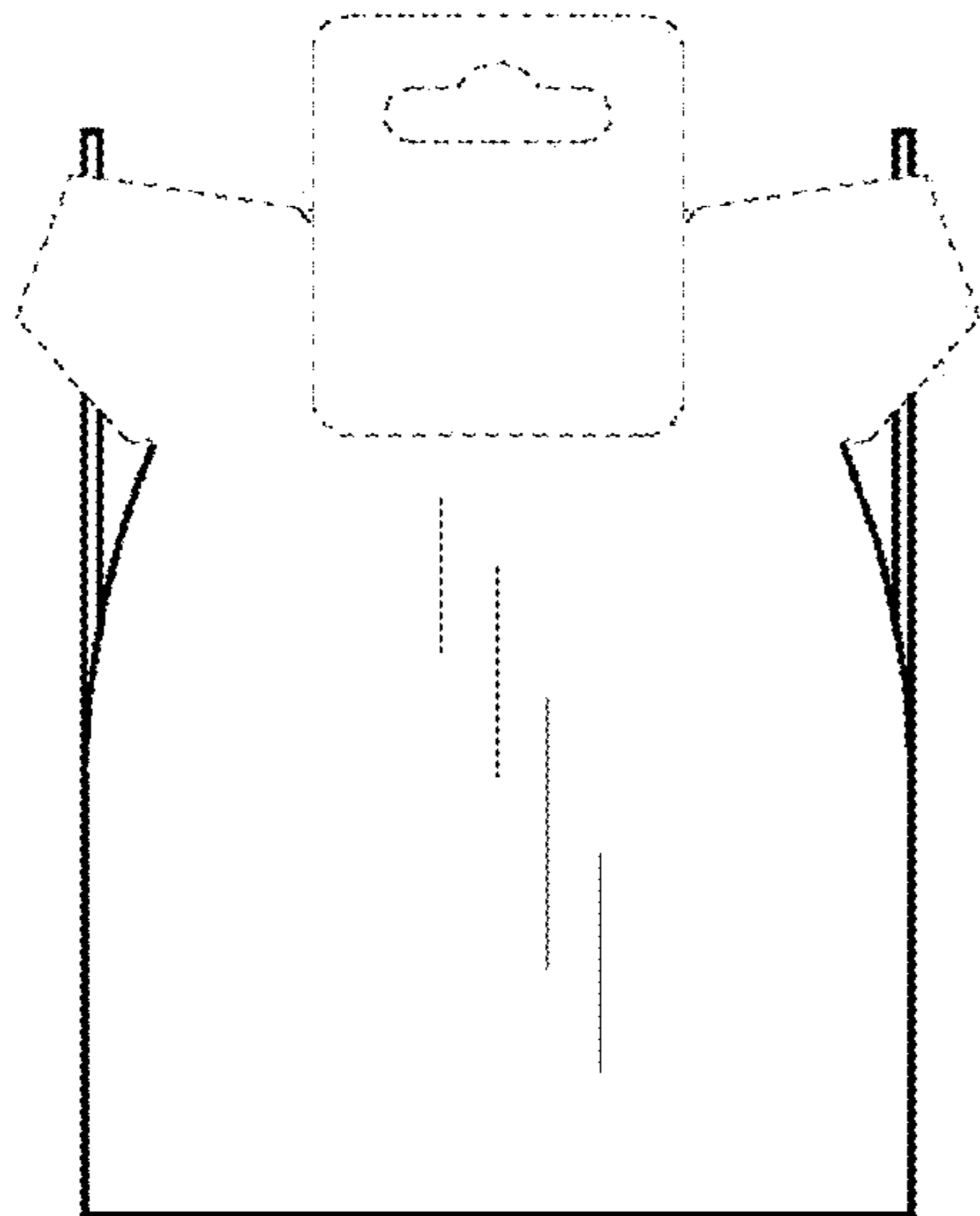


FIG. 23

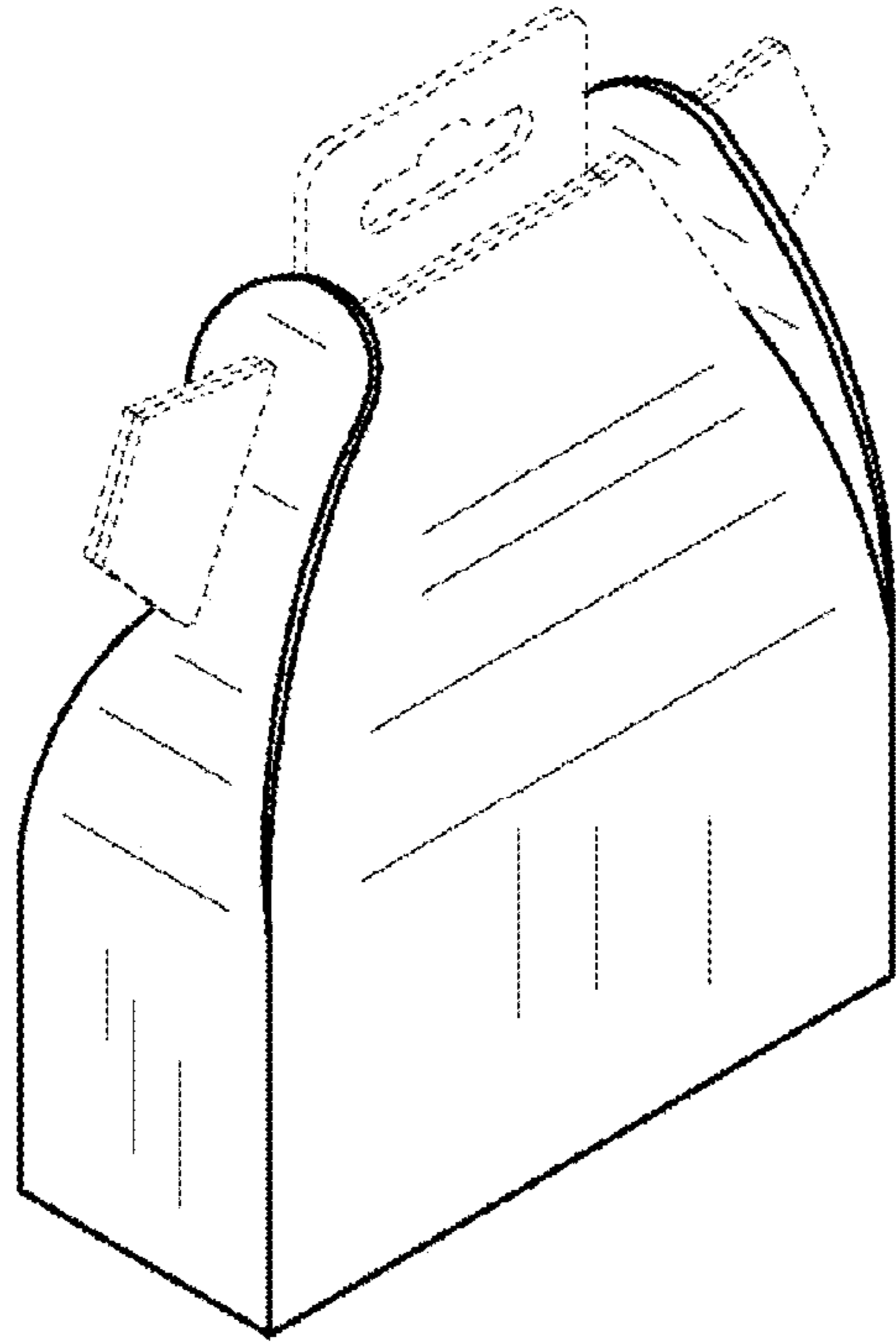


FIG. 24

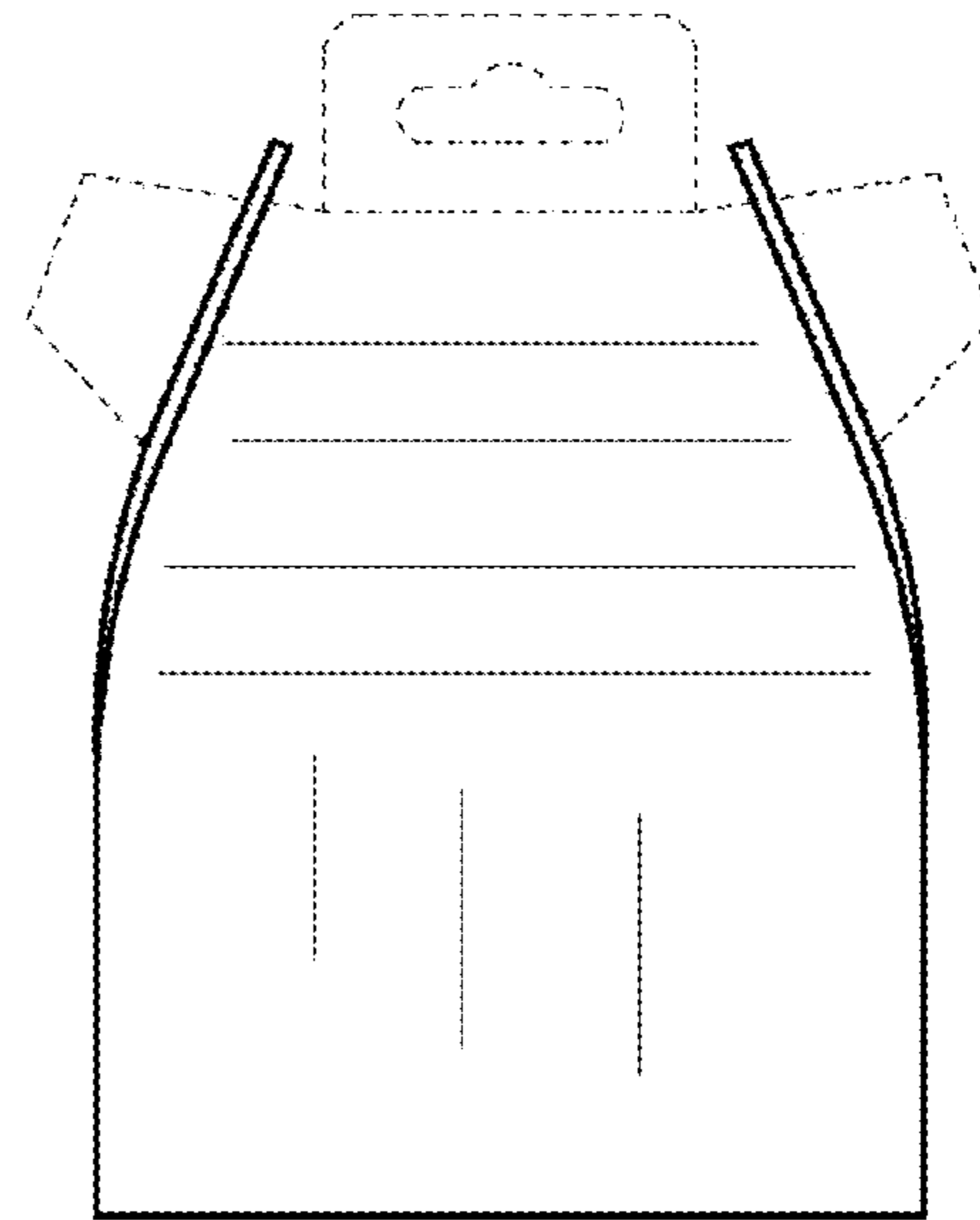


FIG. 25

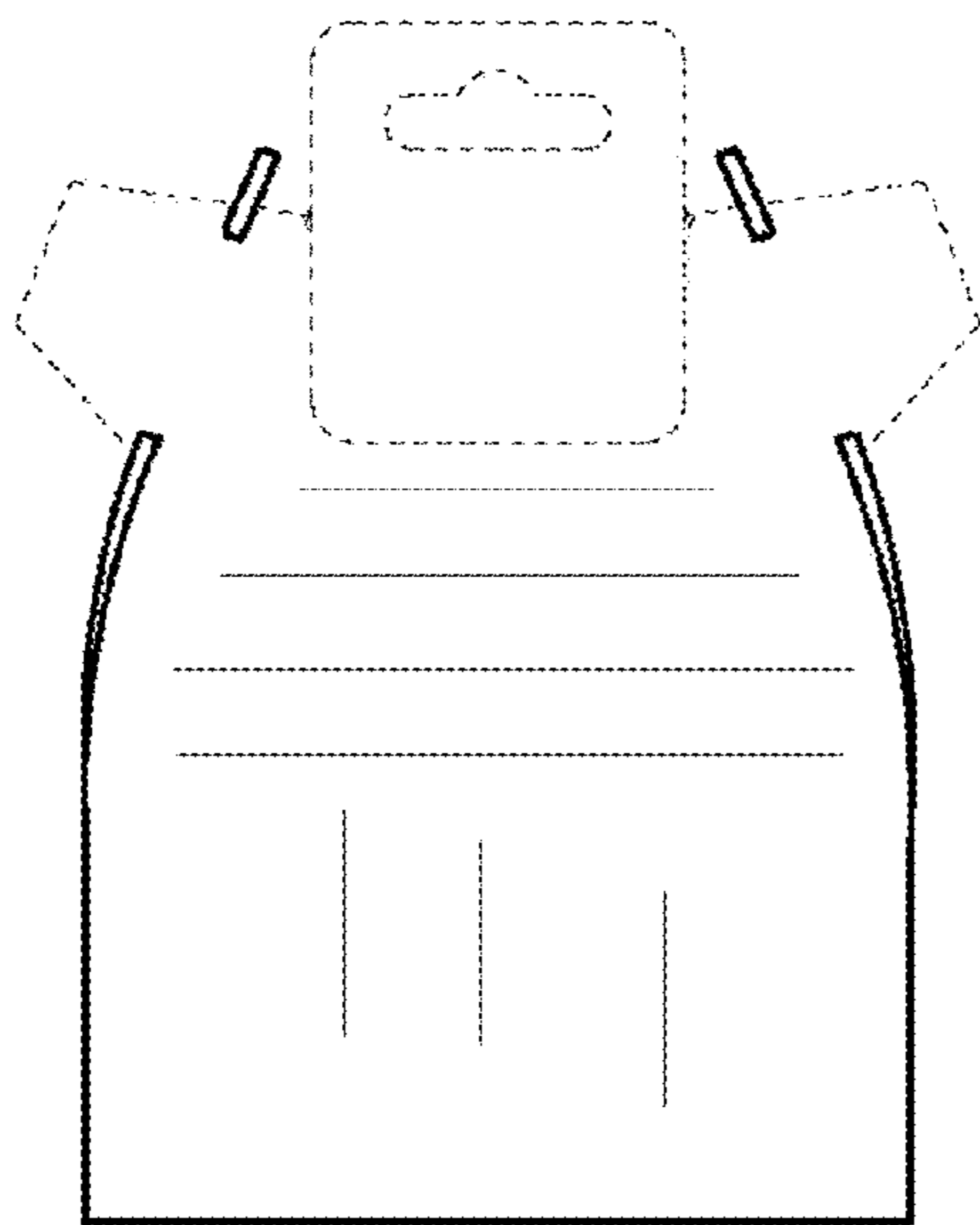


FIG. 26