



US00D745407S

(12) **United States Design Patent**
O'Donahue

(10) **Patent No.:** **US D745,407 S**

(45) **Date of Patent:** **** Dec. 15, 2015**

(54) **COSMETICS BOTTLE**

D324,336 S * 3/1992 Desgrippes D9/545
D339,292 S * 9/1993 Fareri D9/439
D390,779 S * 2/1998 Walter D11/160

(71) Applicant: **Bath & Body Works Brand Management, Inc.**, Reynoldsburg, OH (US)

(Continued)

(72) Inventor: **Samuel Dominic O'Donahue**, New York, NY (US)

FOREIGN PATENT DOCUMENTS

CN 3349318 * 1/2004
CN 302296624 * 1/2013

(73) Assignee: **Bath & Body Works Brand Management, Inc.**, Reynoldsburg, OH (US)

(Continued)

(**) Term: **14 Years**

OTHER PUBLICATIONS

Custom Made 100ml Perfume Bottle Unique Woman Body Shape, website copyright 2015, online, http://www.alibaba.com/product-detail/custom-made-100ml-perfume-bottle-unique_2007891456.html, site visited [Sep. 28, 2015 5:16:53 PM].*

(21) Appl. No.: **29/465,351**

(Continued)

(22) Filed: **Aug. 27, 2013**

(51) **LOC (10) Cl.** **09-01**

(52) **U.S. Cl.**
USPC **D9/549**; D9/530; D9/539; D9/540

Primary Examiner — John Windmuller

Assistant Examiner — John R Yeh

(58) **Field of Classification Search**
USPC D9/516, 519, 530, 535, 537-539,
D9/541-545, 550-554, 556, 558-559,
D9/565-7, 563, 431, 435, 439-440,
D9/444-447, 449-450, 454, 522, 524, 526,
D9/561, 572-575, 649, 655, 682, 685,
D9/688-693, 723-724; D19/79-84, 93;
D23/211.1-211.2; D4/16; D28/7, 73,
D28/76-77, 83; D7/510, 511; D3/202

(74) *Attorney, Agent, or Firm* — Andrus Intellectual Property Law, LLP

CPC A47J 41/02; A47J 41/0077; B65D 1/0215;
B65D 1/0223; B65D 23/102; B65D 23/106;
B29L 2031/463

See application file for complete search history.

(57) **CLAIM**

The ornamental design for a cosmetics bottle, as shown and described.

DESCRIPTION

FIG. 1 is an isometric view of a cosmetics bottle showing my new design;

FIG. 2 is a front view thereof;

FIG. 3 is a back view thereof;

FIG. 4 is a left side view thereof;

FIG. 5 is a right side view thereof;

FIG. 6 is a top view thereof; and,

FIG. 7 is a bottom view thereof.

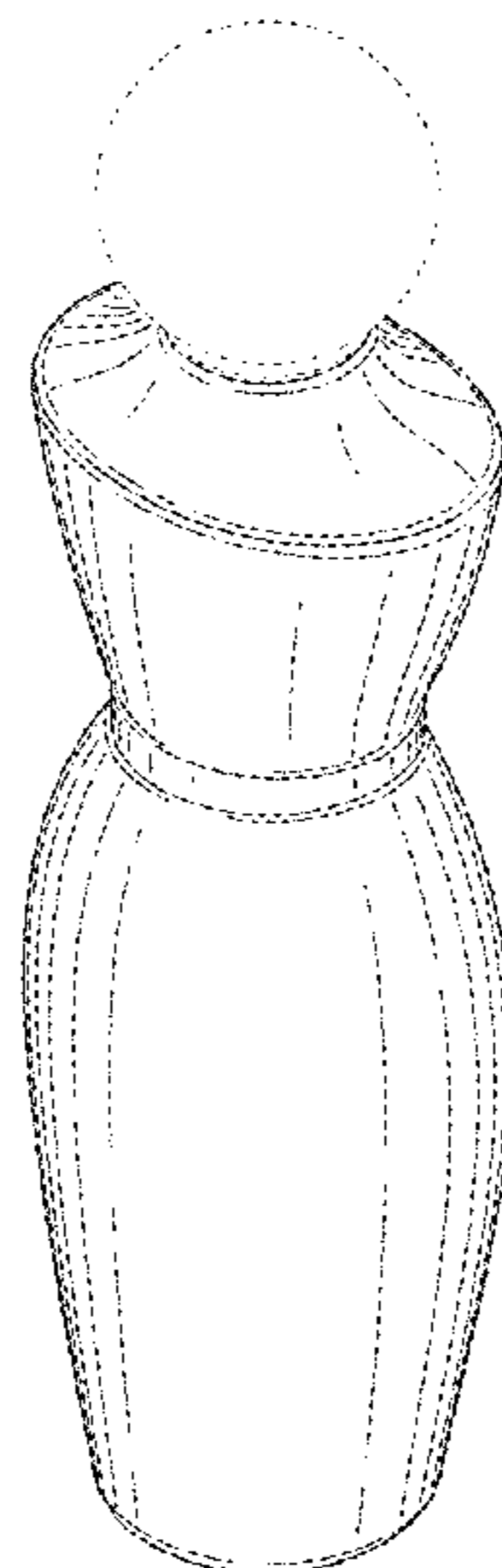
The broken lines show portions of the cosmetics bottle that form no part of the claimed design.

(56) **References Cited**

U.S. PATENT DOCUMENTS

885,947 A * 4/1908 Mulkerins B65D 1/0223
215/382
D201,585 S * 7/1965 Roberts D9/542
D212,183 S * 9/1968 Hileman D9/543

1 Claim, 5 Drawing Sheets



(56)

References Cited

U.S. PATENT DOCUMENTS

D418,425 S * 1/2000 Gobe D9/516
D434,669 S * 12/2000 Albright D9/539
D472,469 S * 4/2003 Versace D9/439
D523,340 S * 6/2006 Westphal D9/500
D573,478 S * 7/2008 Kruparova D9/541
D585,292 S * 1/2009 Kruparova D9/537
D602,363 S * 10/2009 Chaffier D9/454
D603,708 S * 11/2009 Handy D9/435
D609,100 S * 2/2010 Licari D9/522
D613,607 S * 4/2010 Yokota D9/522
D620,367 S * 7/2010 Leslie D9/452
D692,277 S * 10/2013 Smiedt D7/510
D732,964 S * 6/2015 Dyer D7/392.1
2006/0108318 A1 * 5/2006 Chisholm B65D 1/0223
215/382

FOREIGN PATENT DOCUMENTS

WO D027575-001 * 12/1993
WO D044464-001 * 9/1998

OTHER PUBLICATIONS

New Design Unique 100ml Sexy Woman Body Perfume Empty Glass Bottle, website copyright 2015, online, http://www.alibaba.com/product-detail/new-design-unique-100ml-sexy-woman_1876180800.html, site visited [Sep. 28, 2015 5:18:49 PM].*
Examiner's Report for Canadian Patent Application No. 153392 dated Apr. 9, 2014.
Examiner's Report for Canadian Patent Application No. 153393 dated Apr. 9, 2014.

* cited by examiner

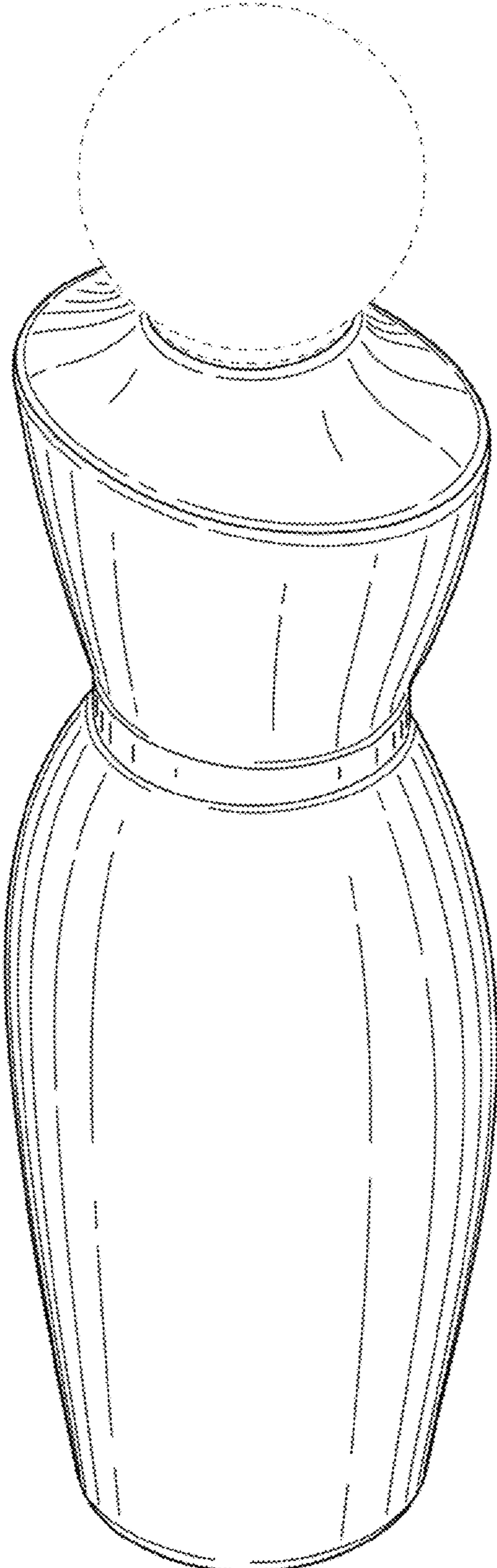


FIG. 1

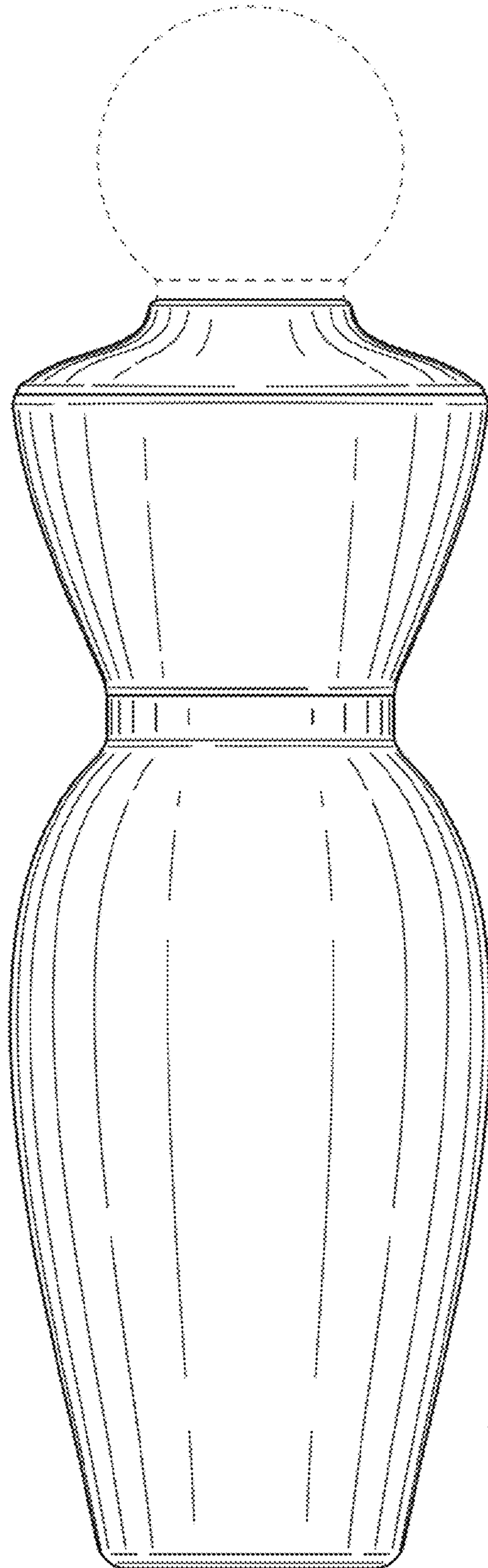


FIG. 2

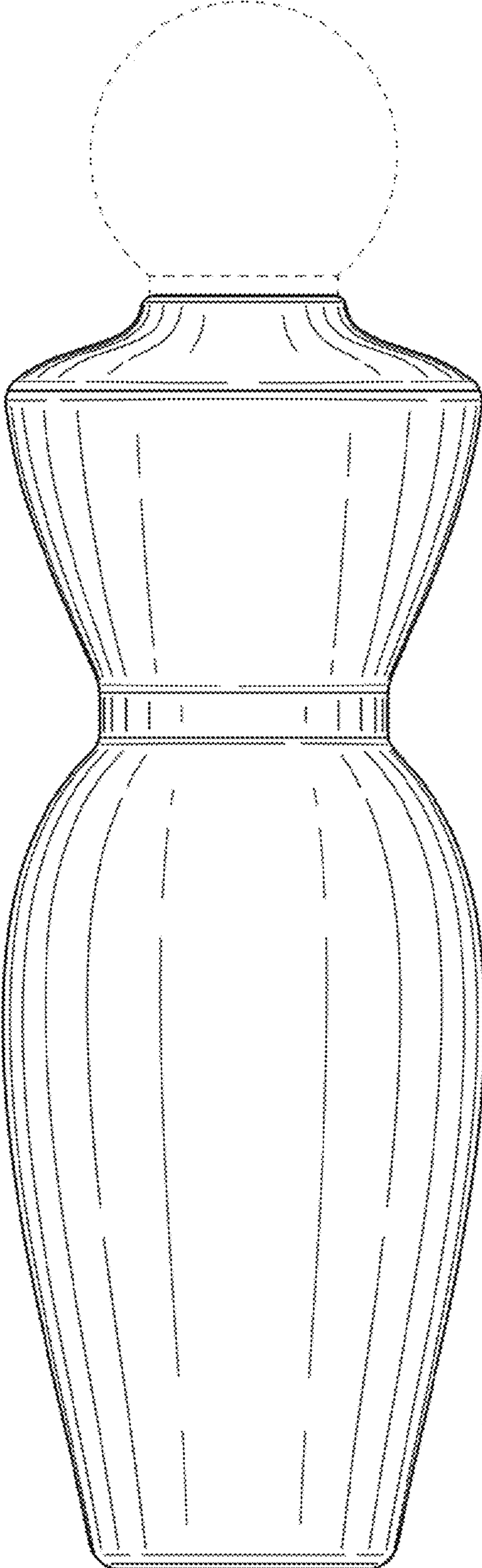


FIG. 3

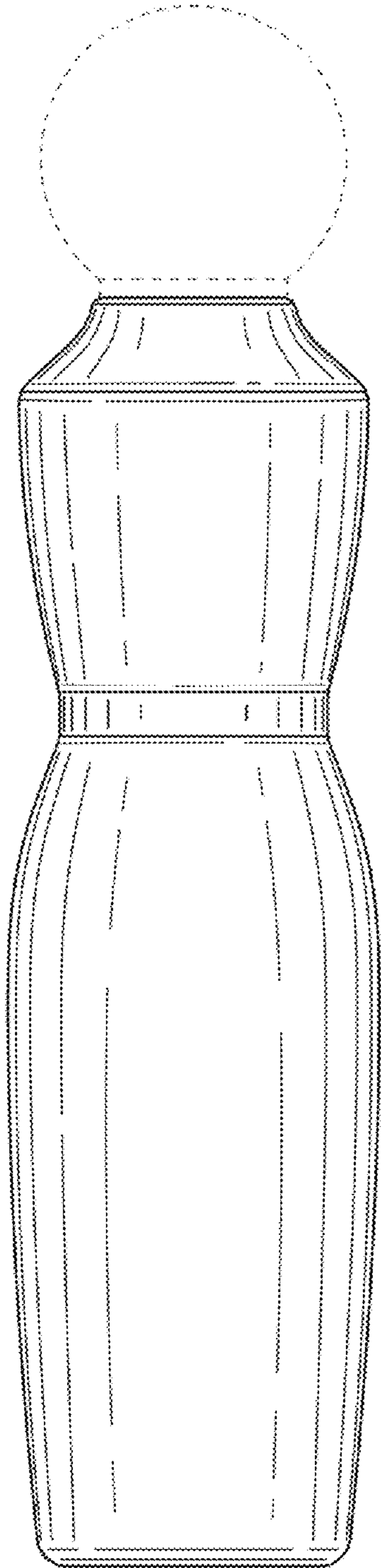


FIG. 4

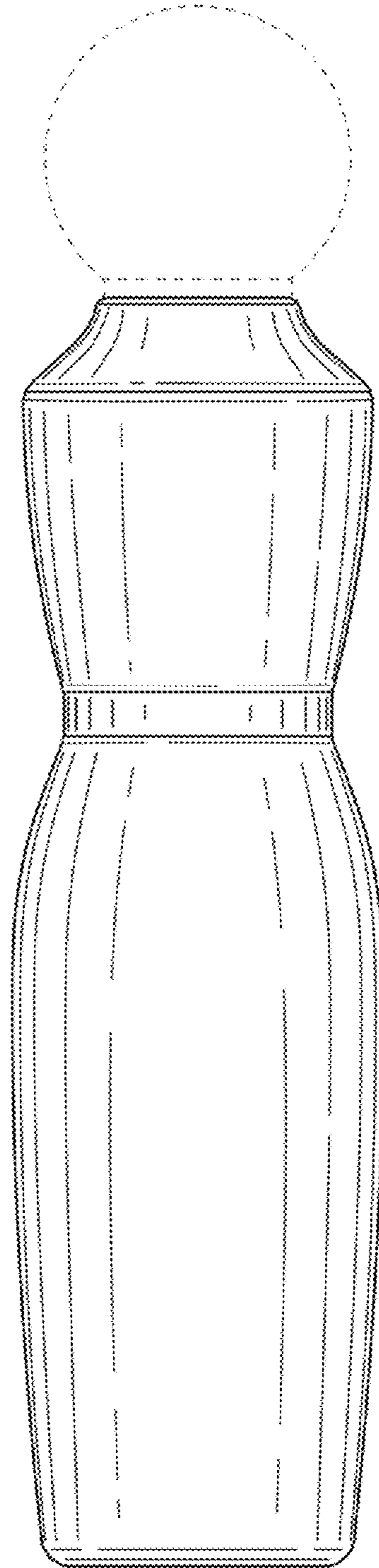


FIG. 5

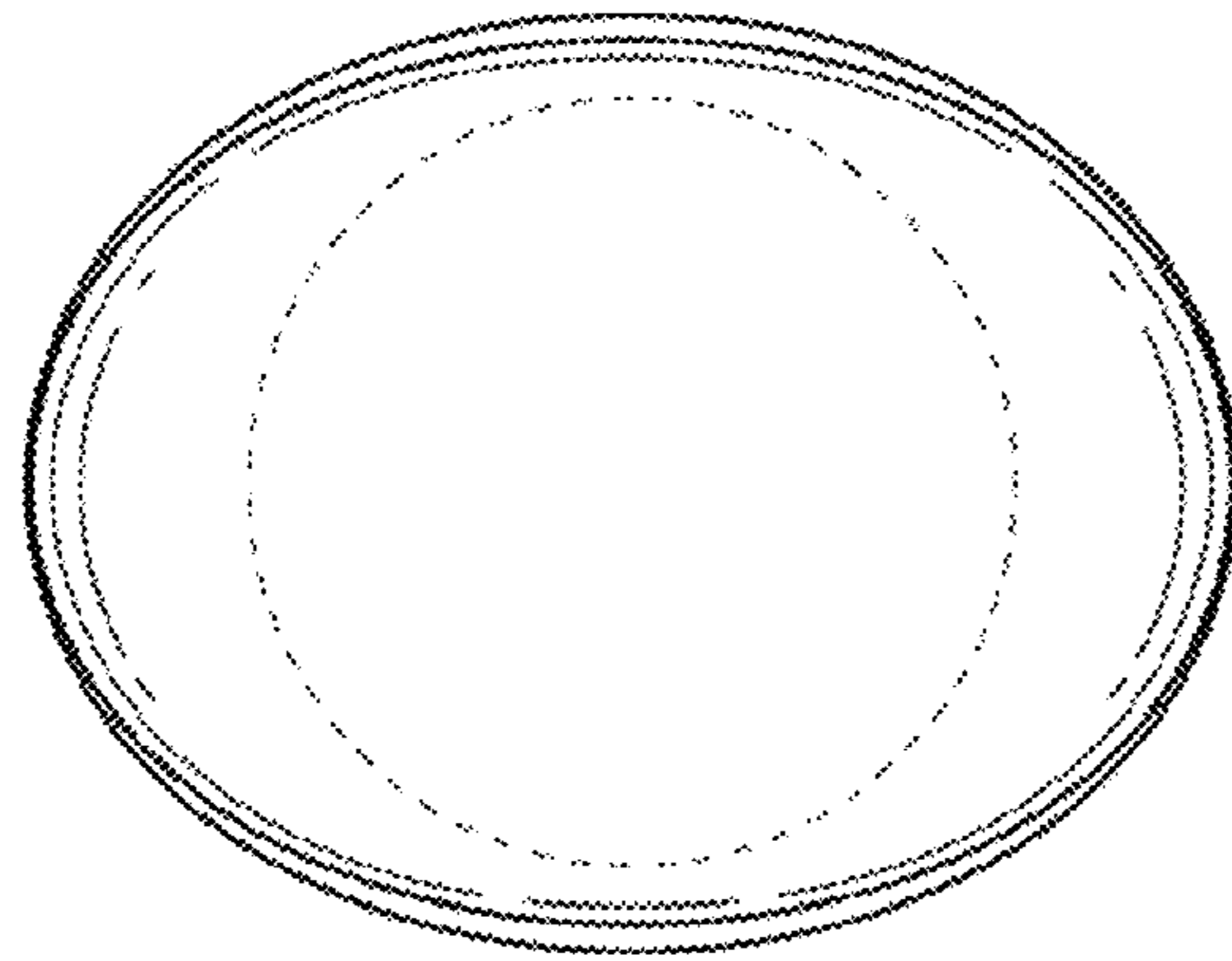


FIG. 6

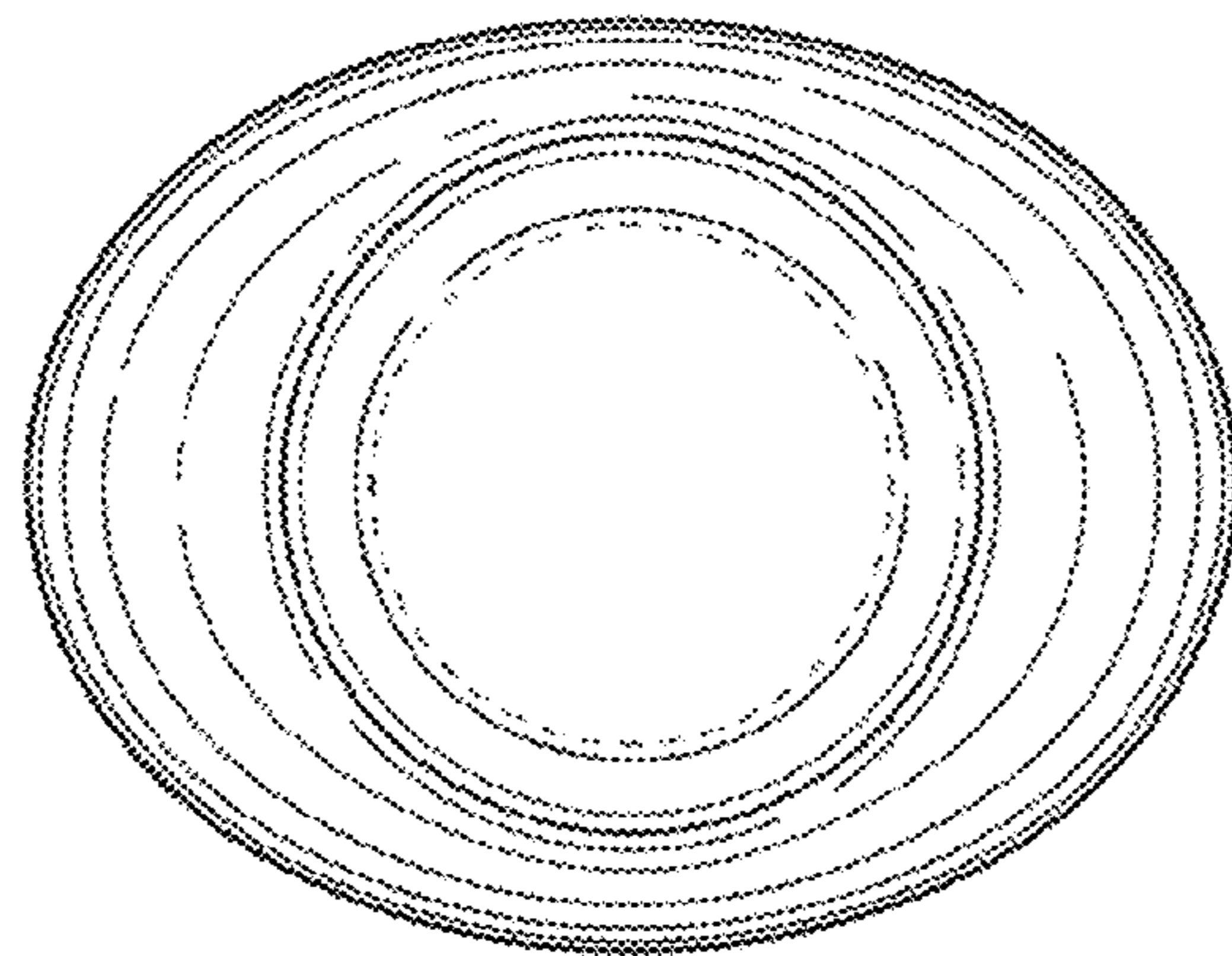


FIG. 7