

US00D745405S

(12) **United States Design Patent**  
**Inzani**

(10) **Patent No.:** **US D745,405 S**  
(45) **Date of Patent:** **\*\* Dec. 15, 2015**

(54) **BOTTLE**

(71) Applicant: **Bruni Glass S.p.A.**, Trazzano Sul Naviglio (MI) (IT)

(72) Inventor: **Alfredo Inzani**, Trezzano Sul Naviglio (IT)

(73) Assignee: **Bruni Glass, S.p.A.**, Trezzano Sul Naviglio (MI) (IT)

(\*\*) Term: **14 Years**

(21) Appl. No.: **29/473,238**

(22) Filed: **Nov. 20, 2013**

(30) **Foreign Application Priority Data**

Jul. 11, 2013 (EM) ..... 002272617

(51) **LOC (10) Cl.** ..... **09-01**

(52) **U.S. Cl.**  
USPC ..... **D9/543**; D9/544; D9/565; D9/572;  
D9/575

(58) **Field of Classification Search**  
USPC ..... D9/516, 544, 546, 572, 575, 667, 682,  
D9/686-687, 694, 715, 719; D7/300,  
D7/300.1, 316, 598; D28/91.1  
CPC ..... B65D 1/00; B65D 1/02; B65D 1/0223;  
B65D 23/00; B65D 2501/00; B65D  
2501/0009; B65D 2501/0081  
See application file for complete search history.

(56) **References Cited**

U.S. PATENT DOCUMENTS

D545,685 S \* 7/2007 Henderson ..... D9/560  
D546,701 S \* 7/2007 Henderson ..... D9/560  
D613,613 S \* 4/2010 Llewellyn et al. .... D9/682  
D709,378 S \* 7/2014 Perez-Cabrera ..... D9/523

FOREIGN PATENT DOCUMENTS

EM 002514604-0016 \* 8/2014

\* cited by examiner

*Primary Examiner* — Dana L Meyrow

(74) *Attorney, Agent, or Firm* — Kirschstein, Israel, Schiffmiller & Pieroni, P.C.

(57) **CLAIM**

The ornamental design for a bottle, as shown and described.

**DESCRIPTION**

FIG. 1 is a perspective view of a bottle according to my new design;

FIG. 2 is a top plan view thereof;

FIG. 3 is a front elevational view thereof, the rear elevational view being a mirror image;

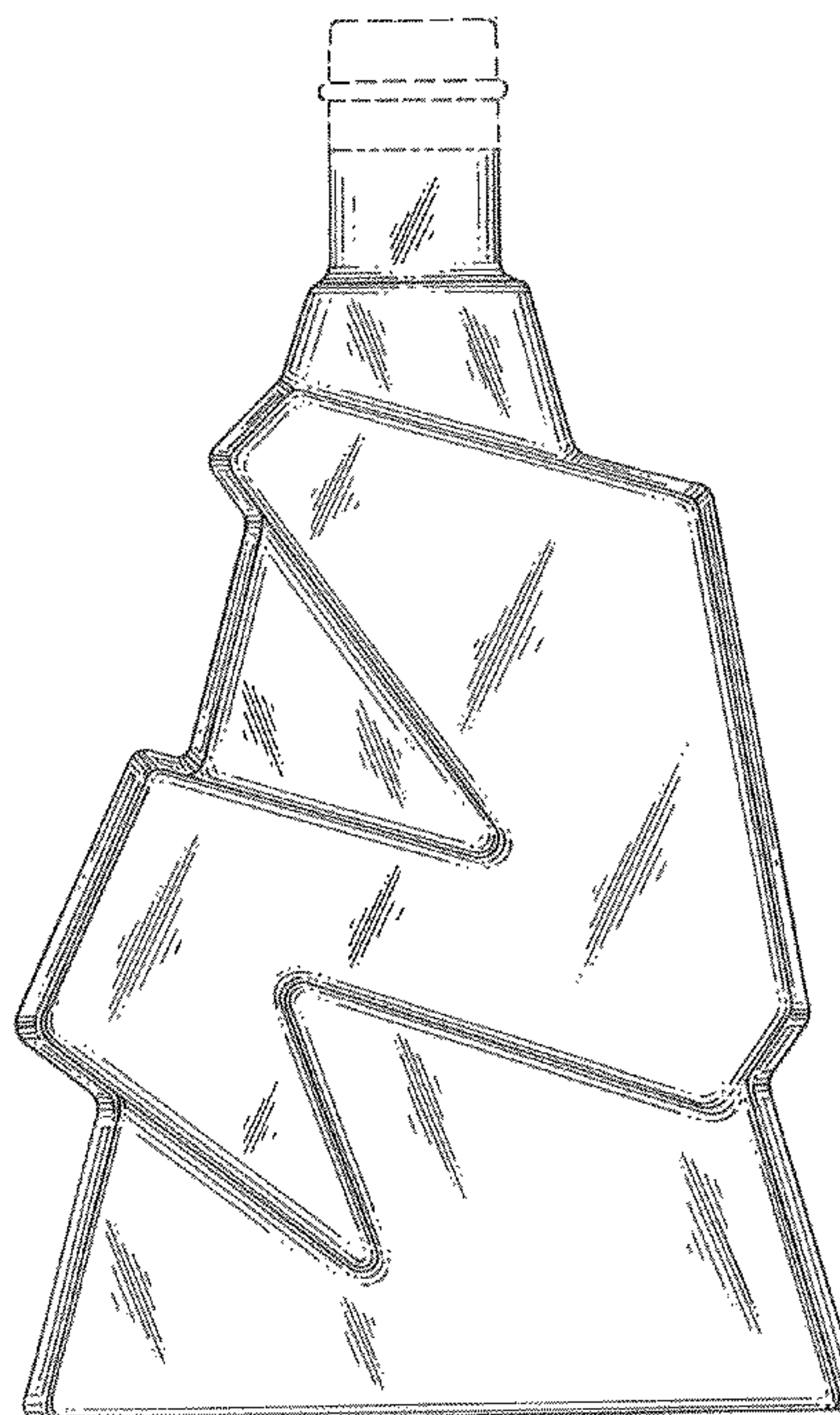
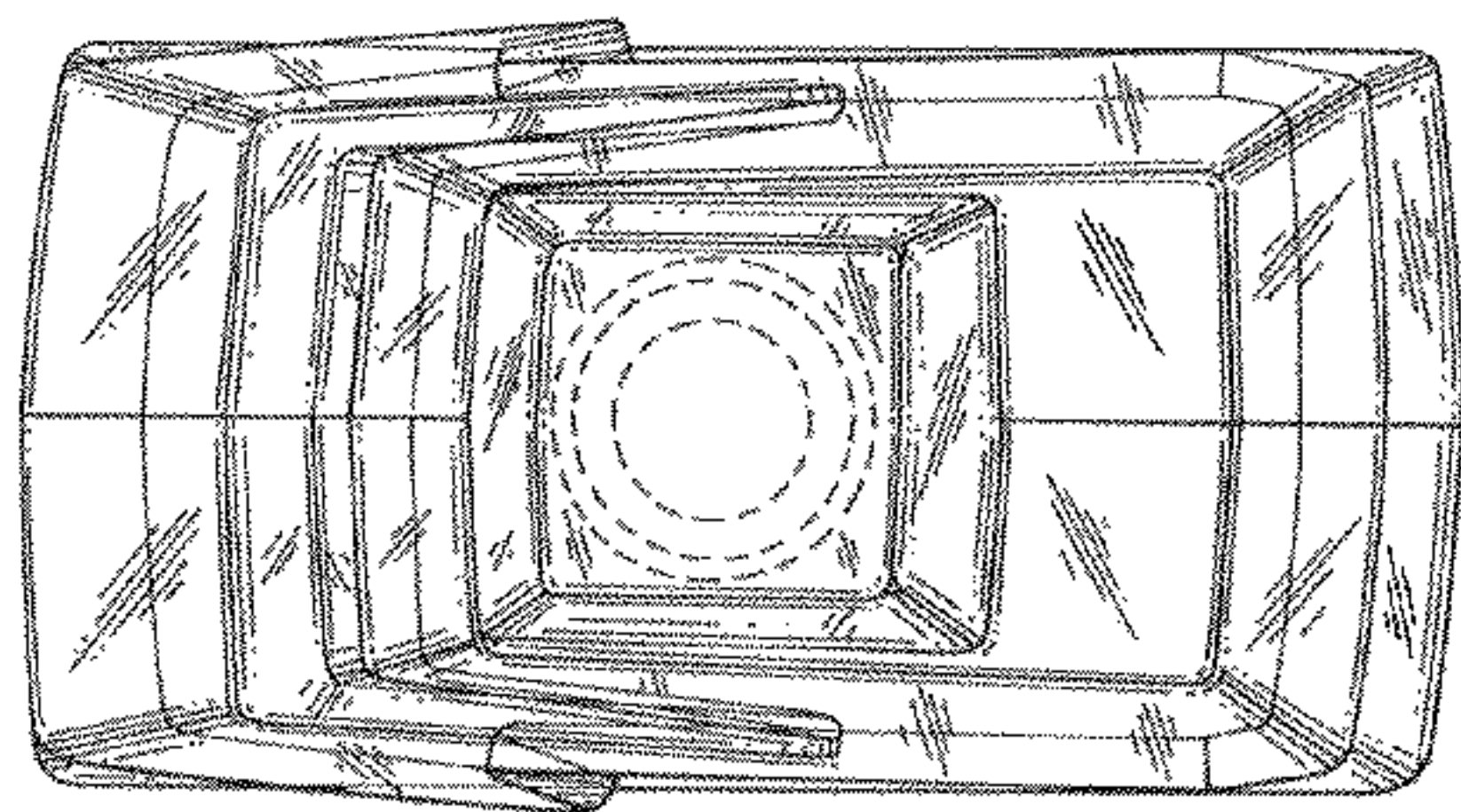
FIG. 4 is a right side elevational view thereof;

FIG. 5 is a left side elevational view thereof; and,

FIG. 6 is a bottom plan view thereof.

The evenly-dashed broken lines in the drawings illustrate the portions of the bottle that form no part of the claim. The short dash-short dash-long dash broken lines in the drawings define the bounds of the claim and form no part thereof.

**1 Claim, 5 Drawing Sheets**





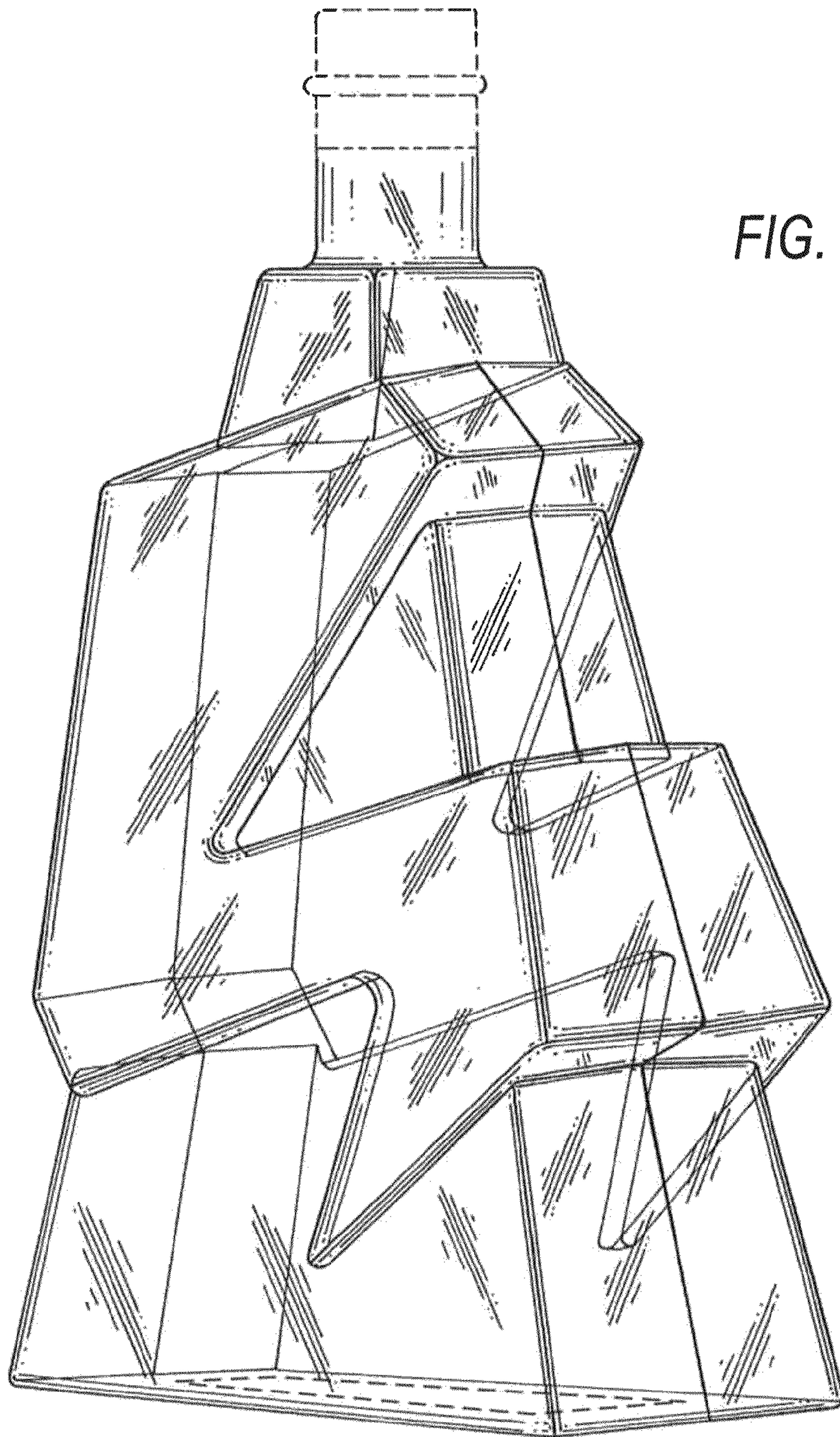


FIG. 1



FIG. 2

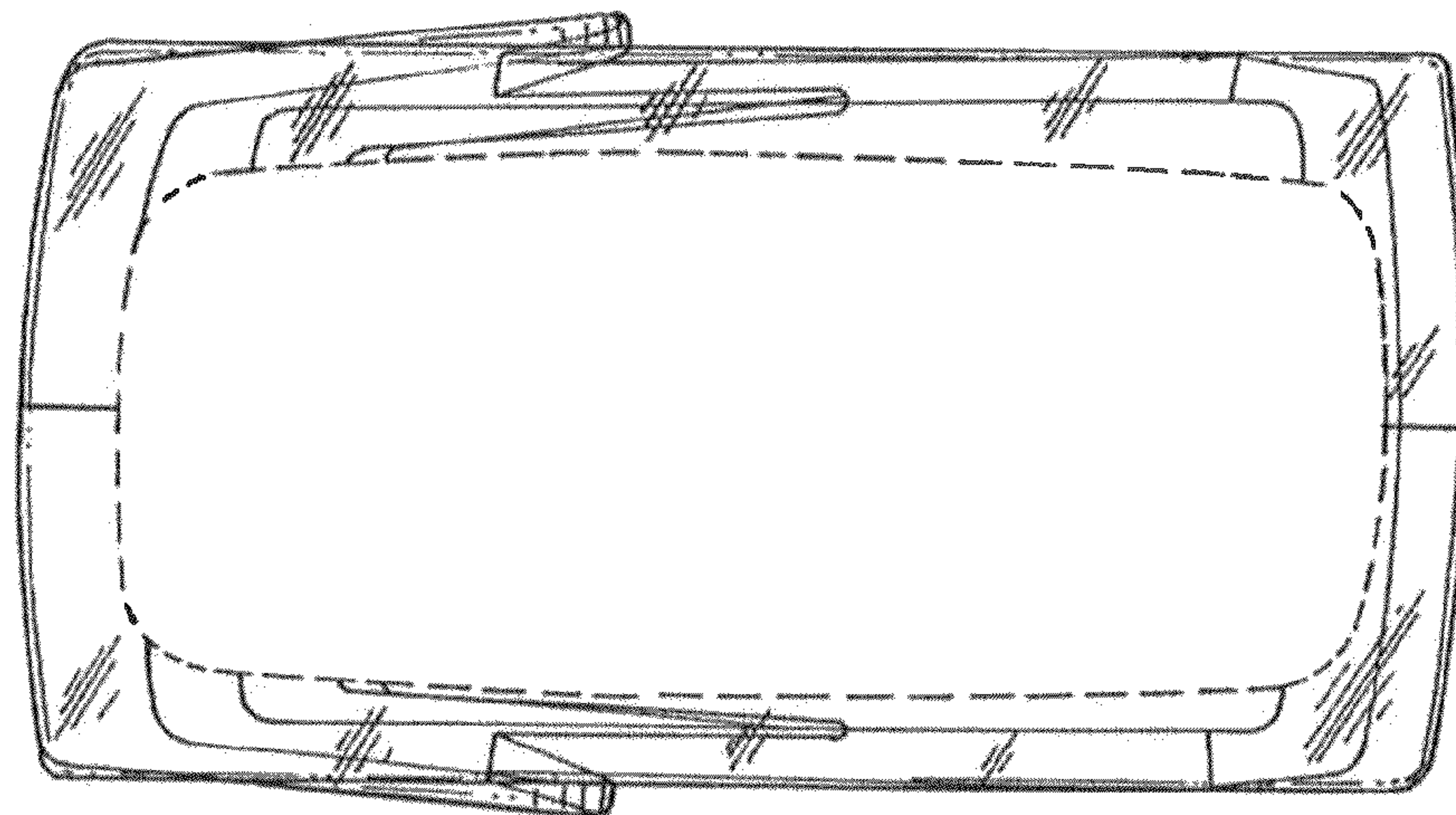
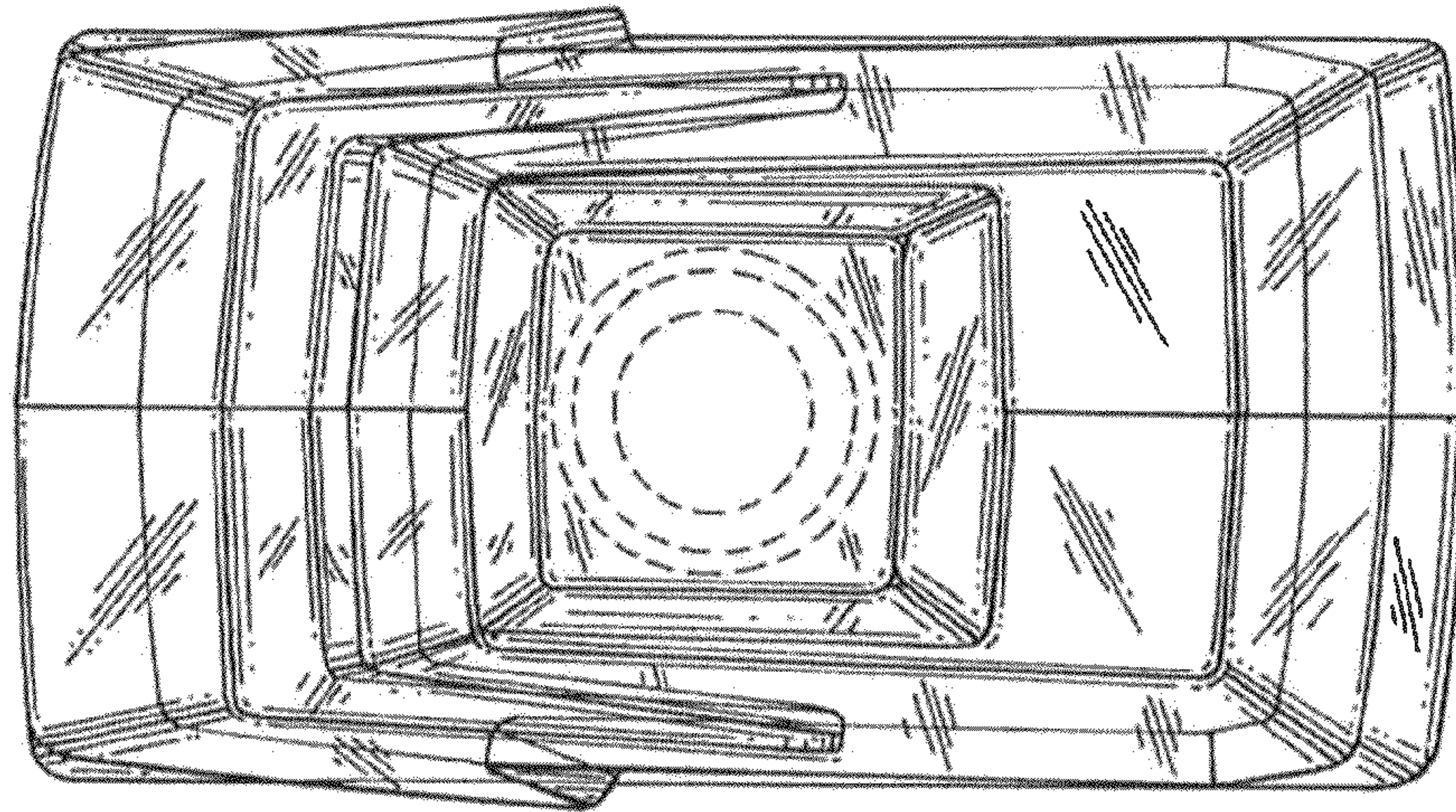


FIG. 6



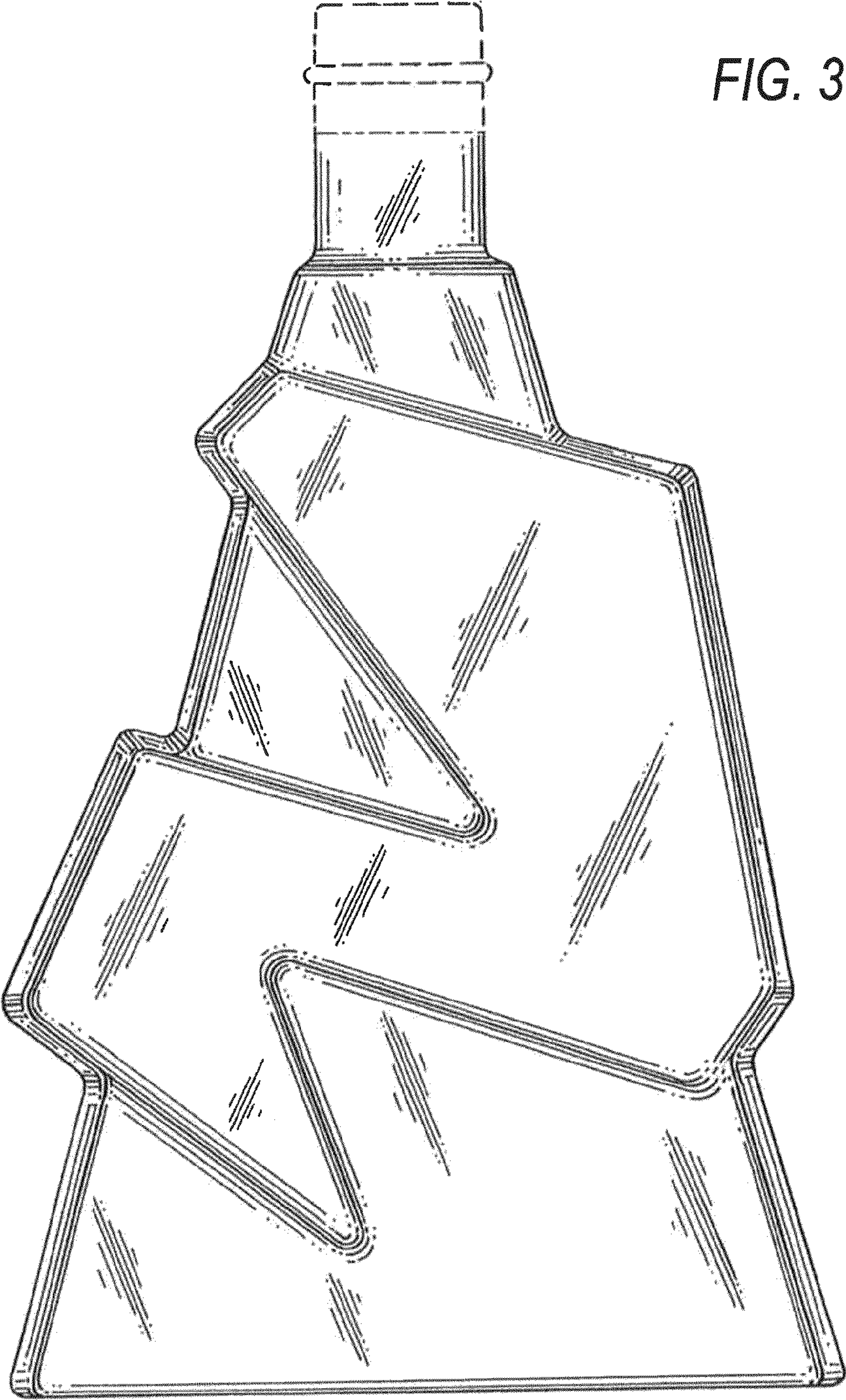


FIG. 3



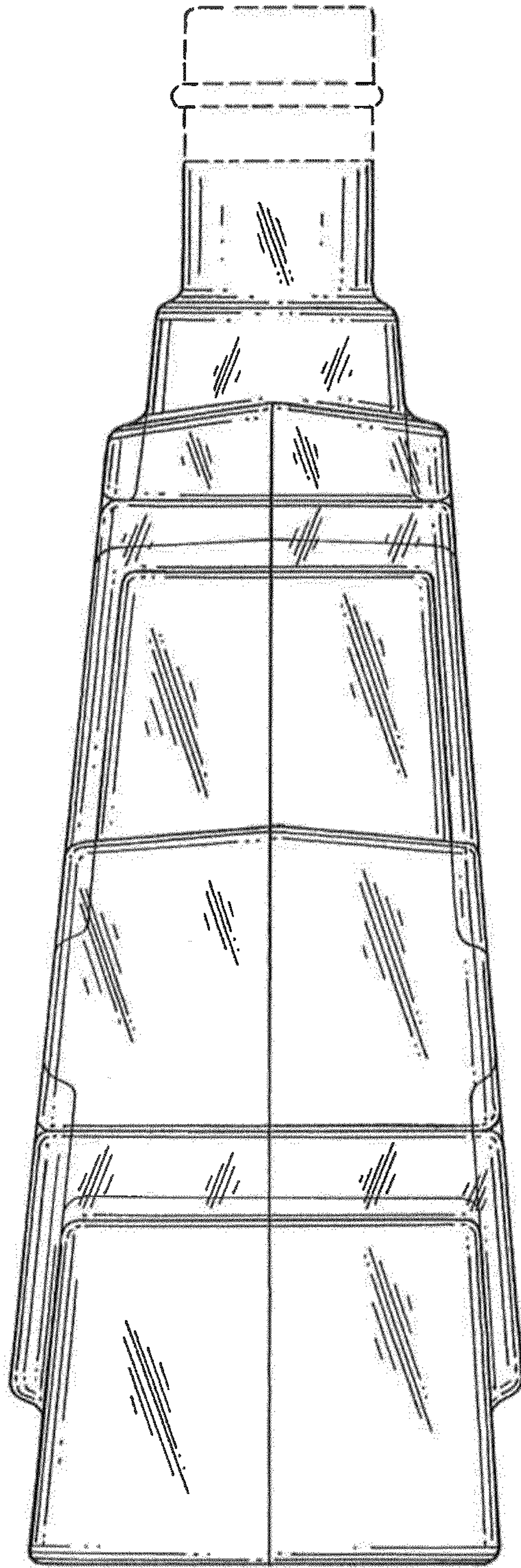


FIG. 4

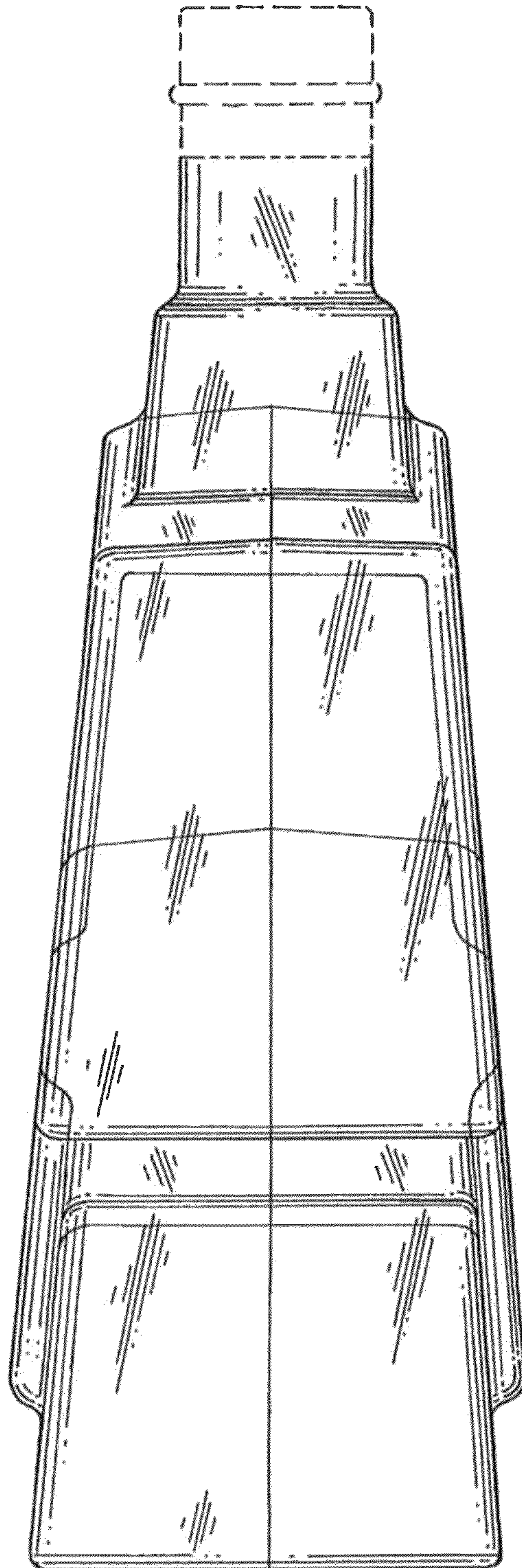


FIG. 5