



US00D745404S

(12) **United States Design Patent**
Julier et al.

(10) **Patent No.:** **US D745,404 S**

(45) **Date of Patent:** **** Dec. 15, 2015**

(54) **BOTTLE**

D281,861 S * 12/1985 Jones D9/529

(Continued)

(71) Applicant: **JOHNSON & JOHNSON**
CONSUMER INC., Skillman, NJ (US)

FOREIGN PATENT DOCUMENTS

(72) Inventors: **Henry Vaillant Julier**, Brooklyn, NY (US); **Richard Tanaka**, Astoria, NY (US); **Stephen Bramwell**, Elk Ridge, UT (US); **Timothy O'Toole**, Jersey City, NJ (US); **Jennifer E. Dahl**, New York, NY (US)

CN 3022466 * 12/1993
GB 1010170 * 5/1983

(Continued)

(73) Assignee: **Johnson & Johnson Consumer Inc.**, Skillman, NJ (US)

OTHER PUBLICATIONS

(**) Term: **14 Years**

Amazon.com : Neutrogena T/Gel Daily Control 2-in-1 Dandruff Shampoo, review date Dec. 2014, online, <http://www.amazon.com/Neutrogena-Control-Dandruff-Shampoo-Conditioner/dp/B009911...>, site visited Sep. 26, 2015.*

Amazon.com : Sebastian Drench Shampoo, review date Jul. 7, 2013, online, <http://www.amazon.com/Sebastian-Drench-Shampoo-Conditioner-8-4oz/dp/B006IT0SKE/> . . . , site visited Sep. 26, 2015.*

(21) Appl. No.: **29/476,100**

Primary Examiner — John Windmuller

(22) Filed: **Dec. 11, 2013**

Assistant Examiner — John R Yeh

(51) **LOC (10) Cl.** **09-01**

(52) **U.S. Cl.**

USPC **D9/529**; D9/549; D9/552

(58) **Field of Classification Search**

USPC D9/516, 519, 530, 535, 537-539, D9/541-545, 550-554, 556, 558-559, D9/565-7, 563, 431, 435, 439-440, D9/444-447, 449-450, 454, 522, 524, 526, D9/561, 572-575, 649, 655, 682, 685, D9/688-693, 723-724; D19/79-84, 93; D23/211.1-211.2; D4/16; D28/7, 73, D28/76-77, 83; D7/510, 511; D3/202

CPC A47J 41/02; A47J 41/0077; B65D 1/0215; B65D 1/0223; B65D 23/102; B65D 23/106; B29L 2031/463

See application file for complete search history.

(57) **CLAIM**

We claim the ornamental design for a bottle, as shown and described.

DESCRIPTION

FIG. 1 is a front perspective view of a bottle showing the new design.

FIG. 2 is a front view of the bottle shown in FIG. 1.

FIG. 3 is a right side view of the bottle shown in FIG. 1.

FIG. 4 is a rear view of the bottle shown in FIG. 1.

FIG. 5 is a left side view of the bottle shown in FIG. 1.

FIG. 6 is a top view of the bottle shown in FIG. 1; and,

FIG. 7 is a bottom view of the bottle shown in FIG. 1.

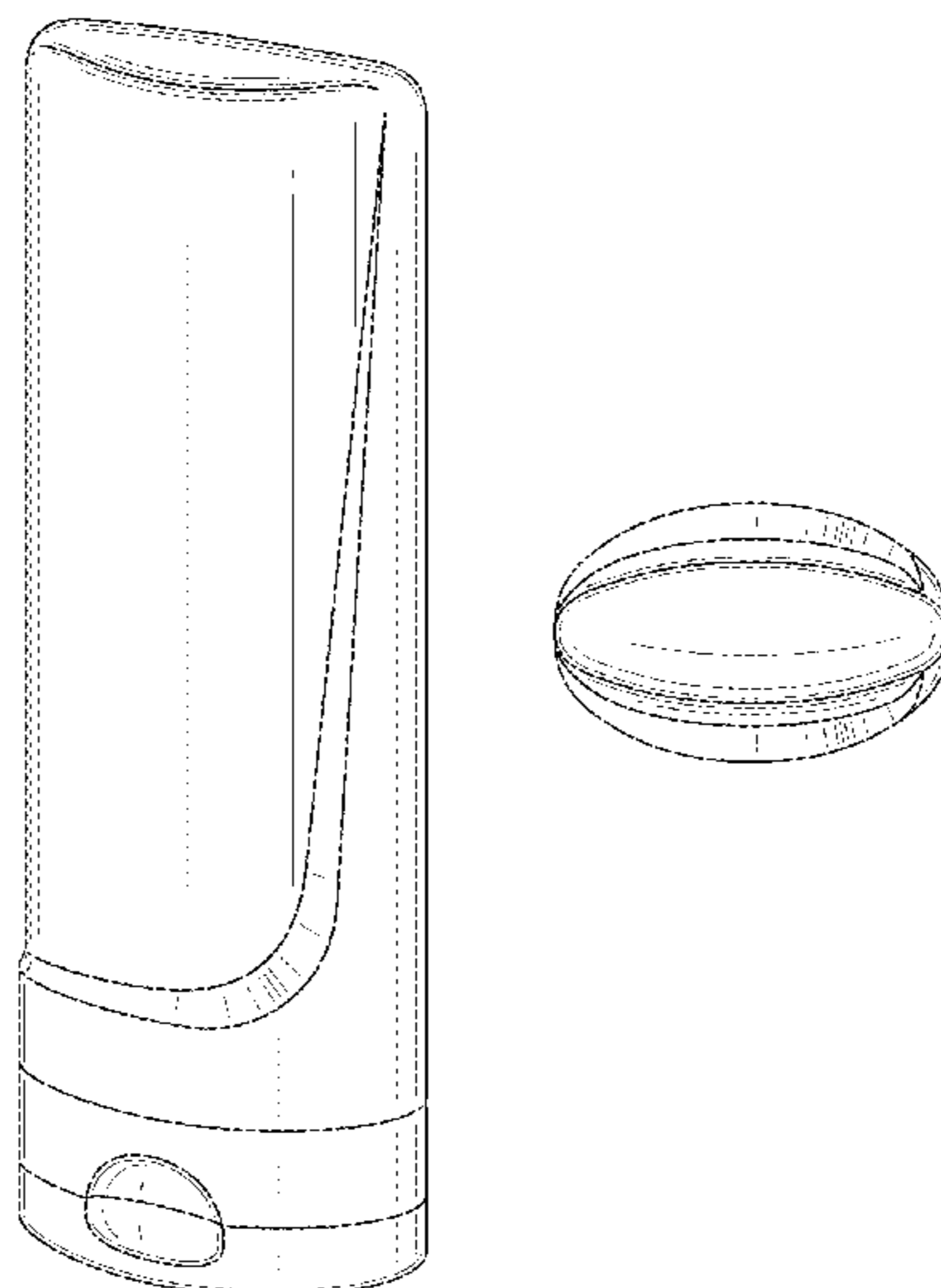
The ornamental design which is claimed is shown in solid lines in the drawings.

(56) **References Cited**

U.S. PATENT DOCUMENTS

D253,221 S * 10/1979 Flower D9/529

1 Claim, 4 Drawing Sheets



(56)

References Cited

U.S. PATENT DOCUMENTS

D325,164 S * 4/1992 Cann D9/447
D327,640 S * 7/1992 Sherman D9/543
D328,710 S * 8/1992 Deflander D9/417
D352,242 S * 11/1994 Crawford D9/516
D446,725 S * 8/2001 Lloyd D9/450
D580,767 S * 11/2008 Okin D9/521
D585,739 S * 2/2009 Dombrowski D9/446
D609,098 S * 2/2010 Almstead, Jr. D9/442

D609,572 S * 2/2010 Ribadeneira Mejia D9/442
D616,753 S * 6/2010 Beam D9/420
D636,267 S * 4/2011 Shiota D9/435
D643,738 S * 8/2011 Cummings D9/563

FOREIGN PATENT DOCUMENTS

RU 00071165 * 7/2009
WO D078959-001 * 2/2013

* cited by examiner

FIG. 1

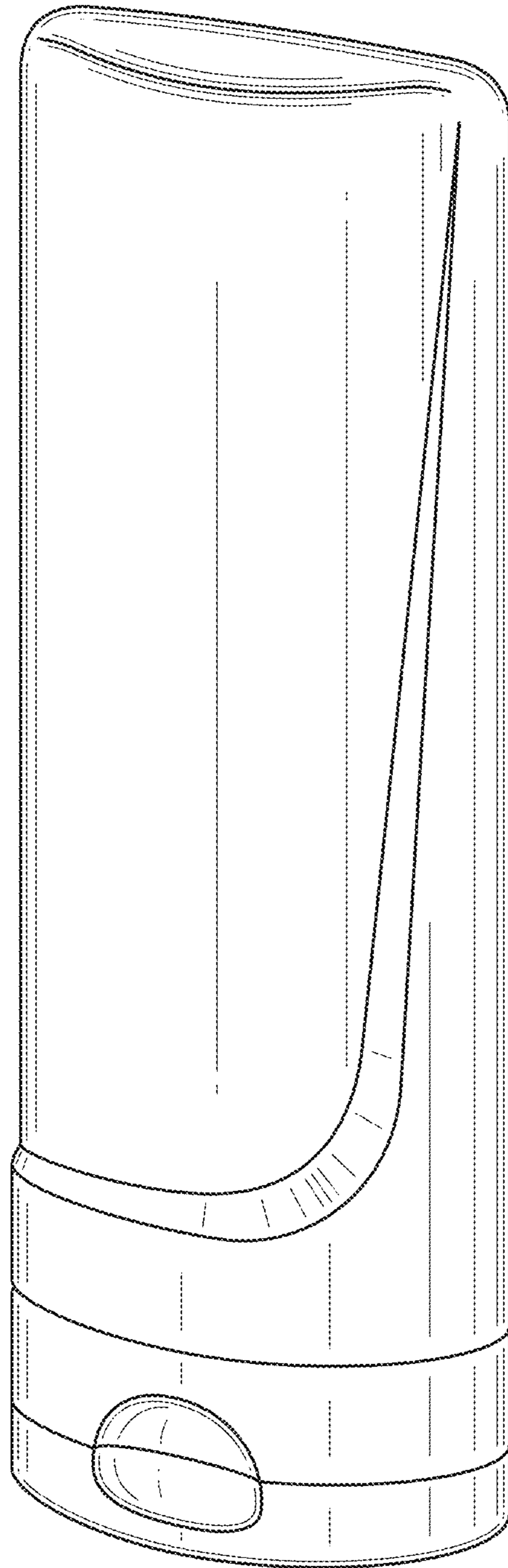


FIG. 2

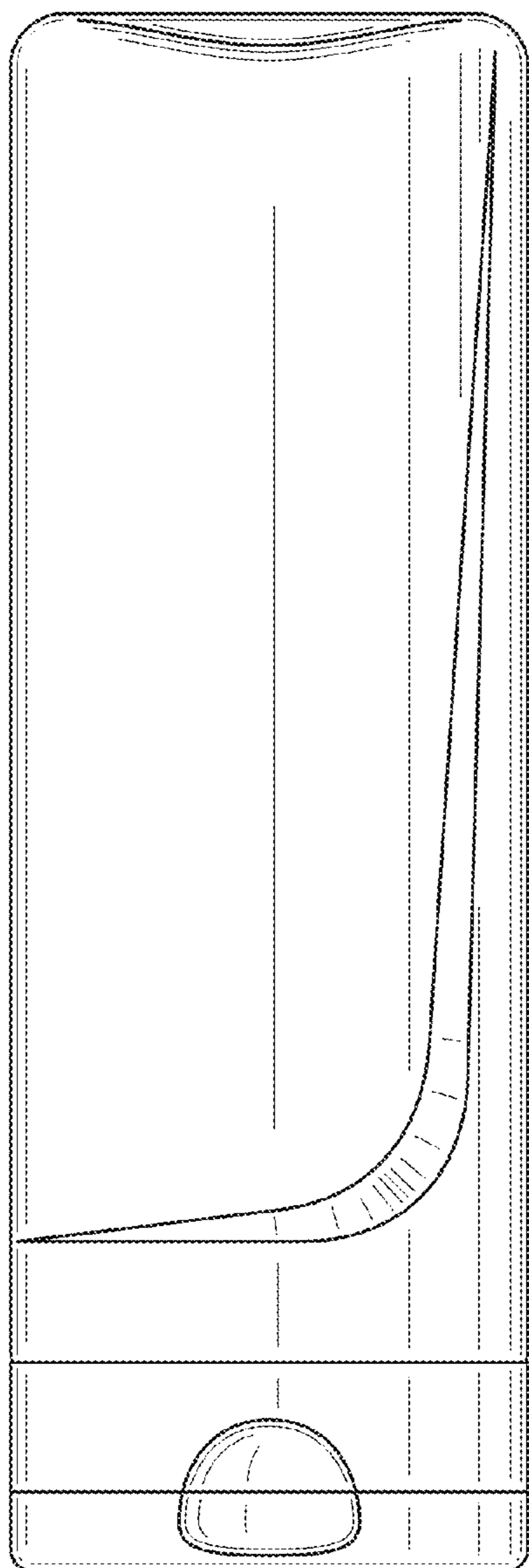


FIG. 3

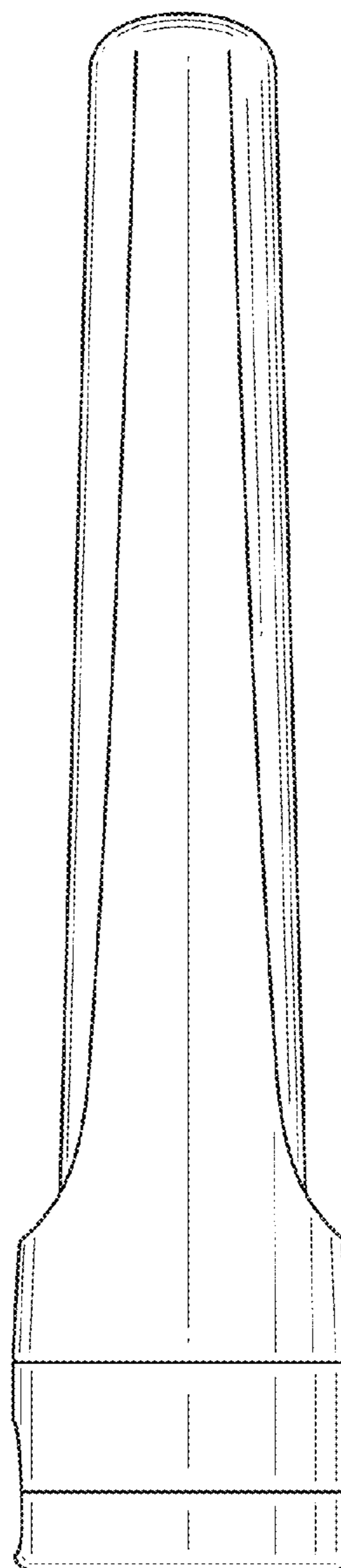


FIG. 4

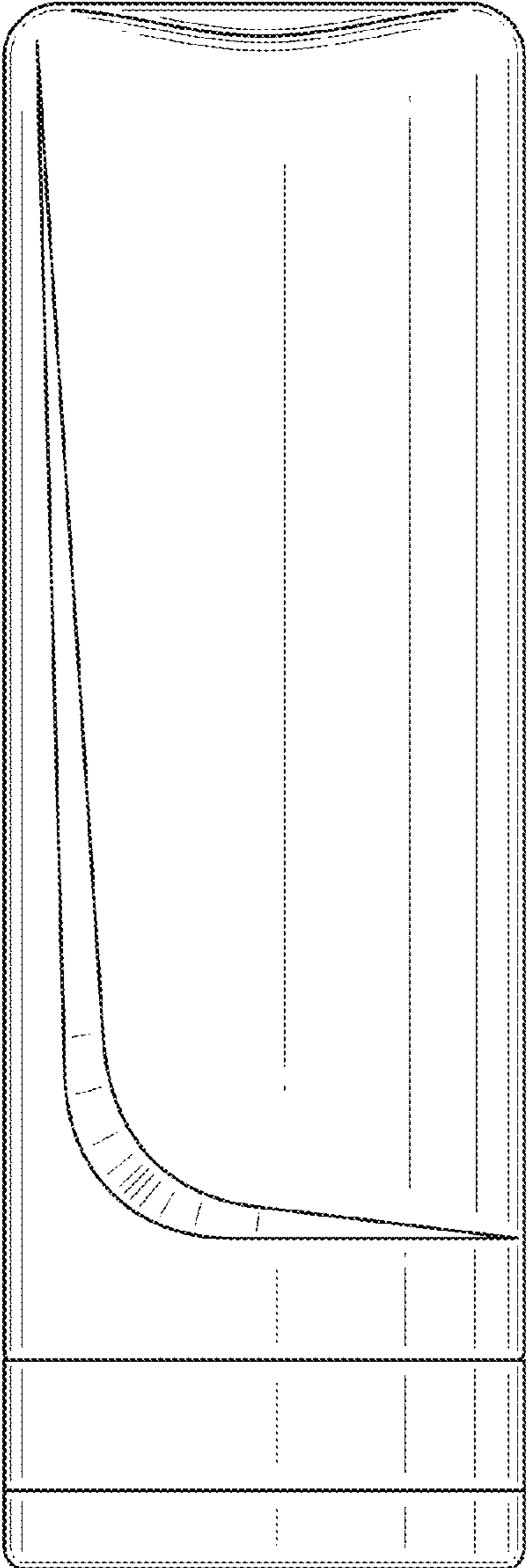


FIG. 5

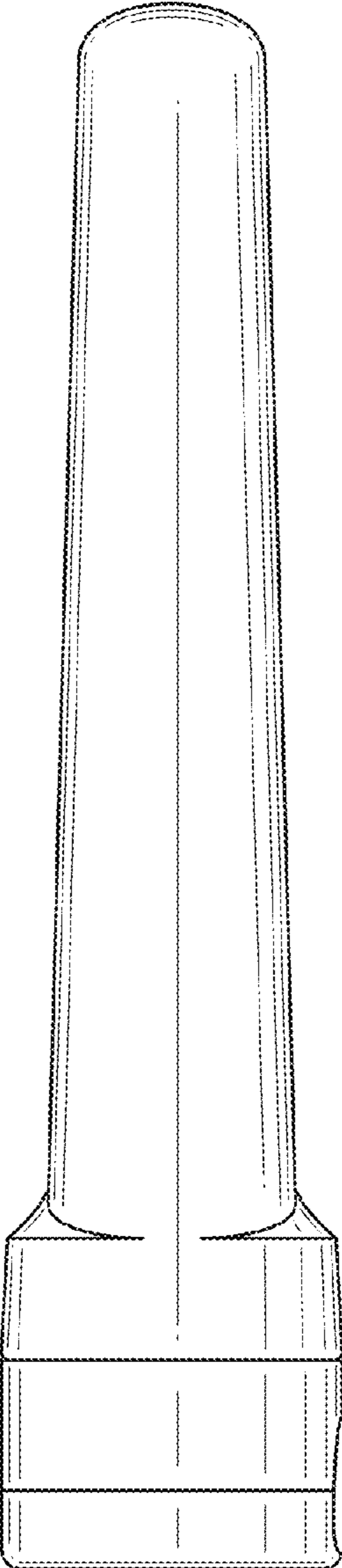


FIG. 6

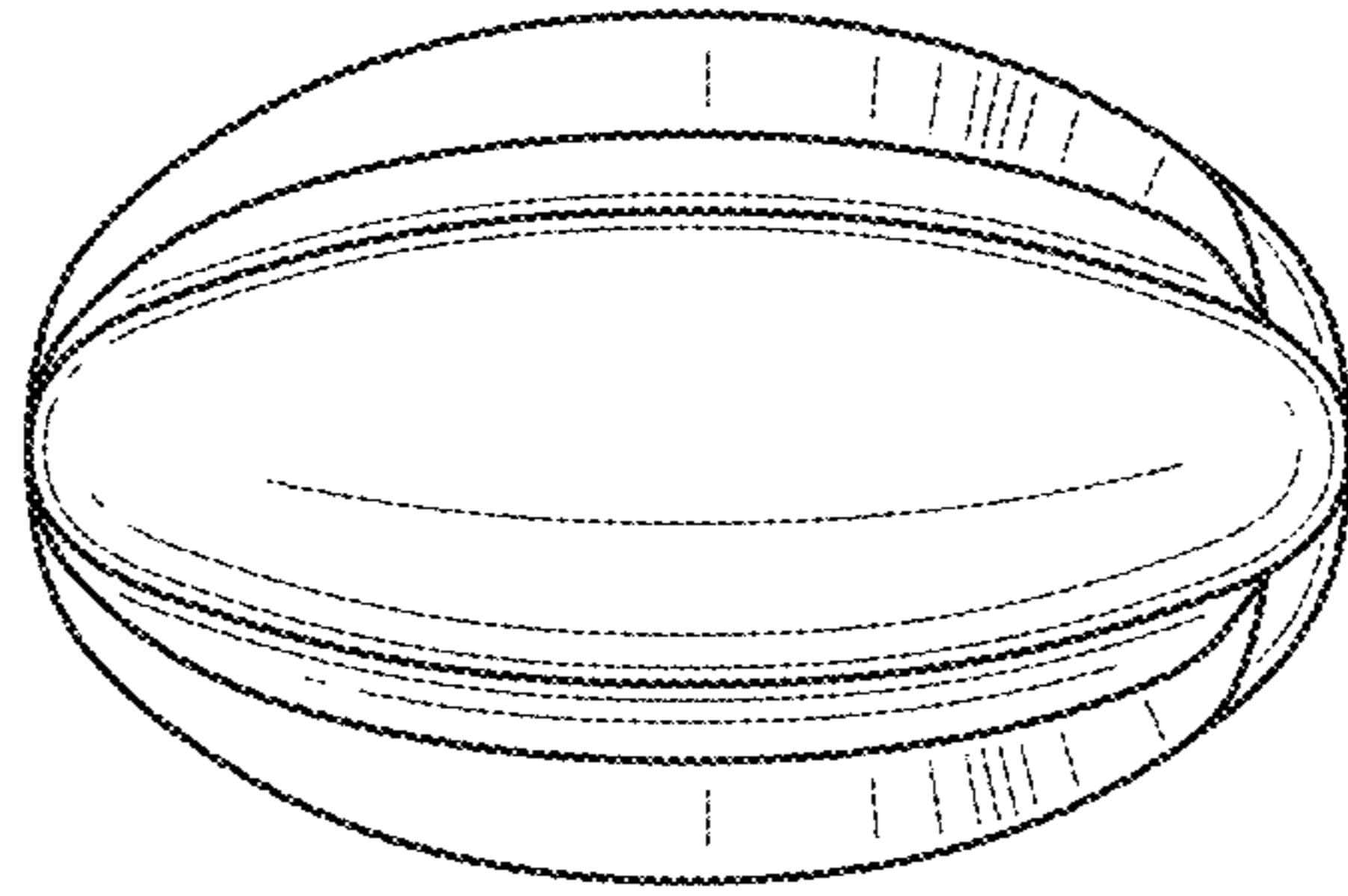


FIG. 7

