



US00D745395S

(12) **United States Design Patent**
Peckels

(10) **Patent No.:** **US D745,395 S**

(45) **Date of Patent:** **** Dec. 15, 2015**

(54) **MEASURED POURER**

(71) Applicant: **Arganius E. Peckels**, Ogilvie, MN (US)

(72) Inventor: **Arganius E. Peckels**, Ogilvie, MN (US)

(**) Term: **14 Years**

(21) Appl. No.: **29/515,413**

(22) Filed: **Jan. 22, 2015**

(51) **LOC (10) Cl.** **09-07**

(52) **U.S. Cl.**
USPC **D9/440**; D9/447; D7/398; D7/392

(58) **Field of Classification Search**
USPC D7/700, 398, 397, 312, 392, 392.1;
D9/448, 447, 443, 440, 439, 435;
222/570, 231, 23, 44, 481.5; 215/260

CPC B65D 49/04; B65D 47/06; B65D 35/38;
B67D 3/00
See application file for complete search history.

(56) **References Cited**

U.S. PATENT DOCUMENTS

3,630,419	A *	12/1971	Pierce	222/478
D229,826	S *	1/1974	Raptis	D9/440
D279,169	S *	6/1985	Banasik	D9/447
6,230,944	B1 *	5/2001	Castellano et al.	222/481.5
D468,205	S *	1/2003	Pierce	D9/440
D484,801	S *	1/2004	Pierce	D9/440
D587,571	S *	3/2009	Gonzales, Jr.	D9/440
8,011,540	B1 *	9/2011	Peckels	222/479

D652,251	S *	1/2012	Goralski et al.	D7/397
D678,768	S *	3/2013	Agassi et al.	D9/440
D681,456	S *	5/2013	Agarwal et al.	D9/440
D688,127	S *	8/2013	Agassi et al.	D9/440
D701,764	S *	4/2014	Brower et al.	D9/440
8,944,297	B2 *	2/2015	Agassi et al.	222/481.5
9,061,302	B1 *	6/2015	Peckels		
D734,639	S *	7/2015	Lei	D7/398
2008/0073383	A1 *	3/2008	McDonald	222/500
2008/0272147	A1 *	11/2008	Buker et al.	222/113

* cited by examiner

Primary Examiner — Marianne Pandozzi

(74) *Attorney, Agent, or Firm* — Dave Alan Lingbeck

(57) **CLAIM**

The ornamental design for a measured pourer, as shown and described.

DESCRIPTION

FIG. 1 is a top perspective view of a measured pourer showing my new design.

FIG. 2 is a bottom view of the measured pourer.

FIG. 3 is first side view of the measured pourer.

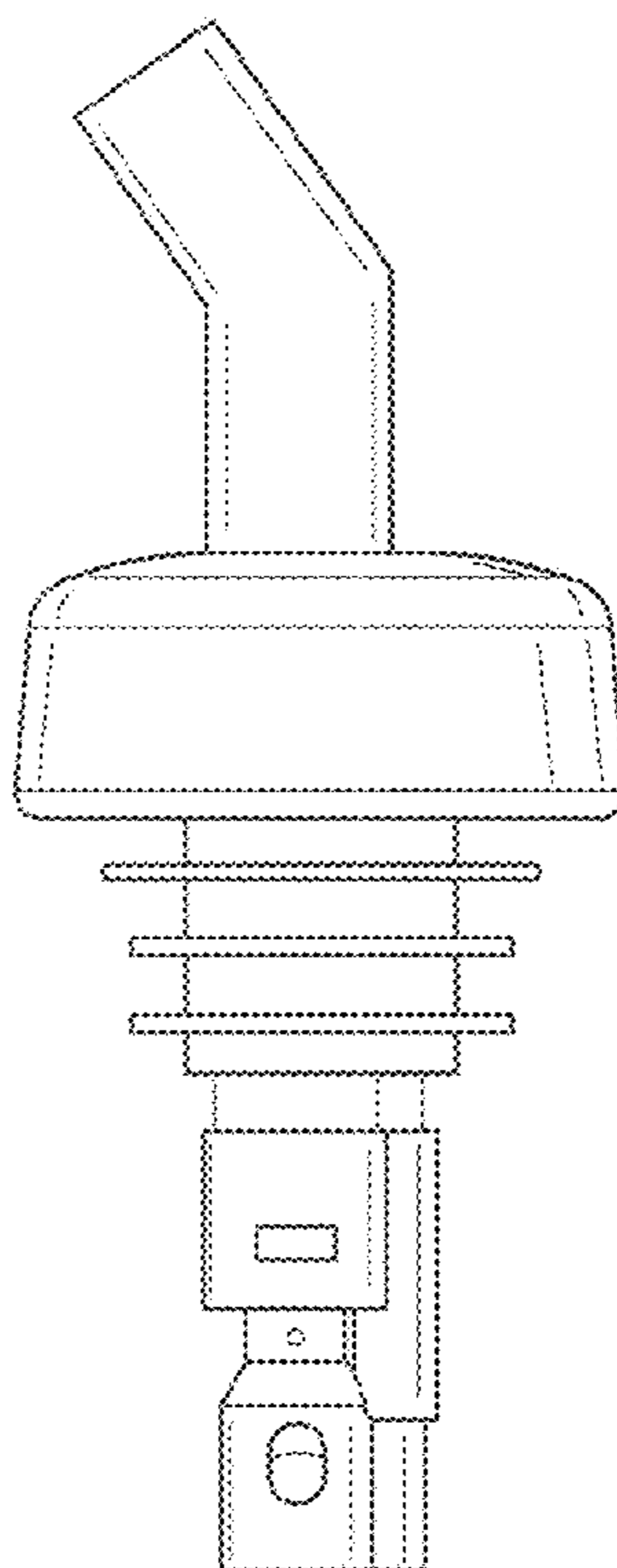
FIG. 4 is a second side view of the measured pourer.

FIG. 5 is a third side view of the measured pourer; and,

FIG. 6 is a fourth side view of the measured pourer.

The broken lines in FIG. 2 are included for the purpose of illustration and form no part of the claimed design.

1 Claim, 3 Drawing Sheets



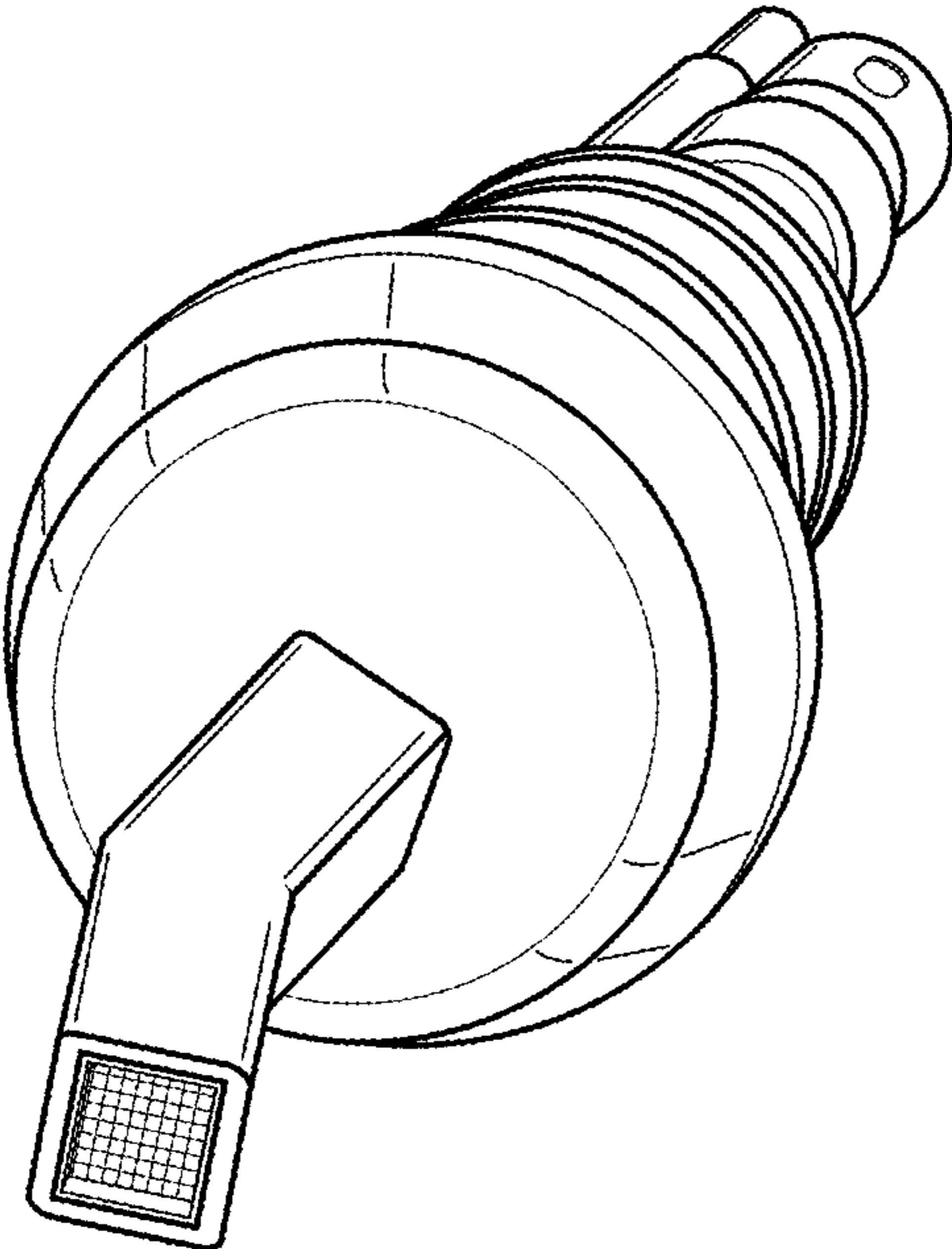


FIG. 1

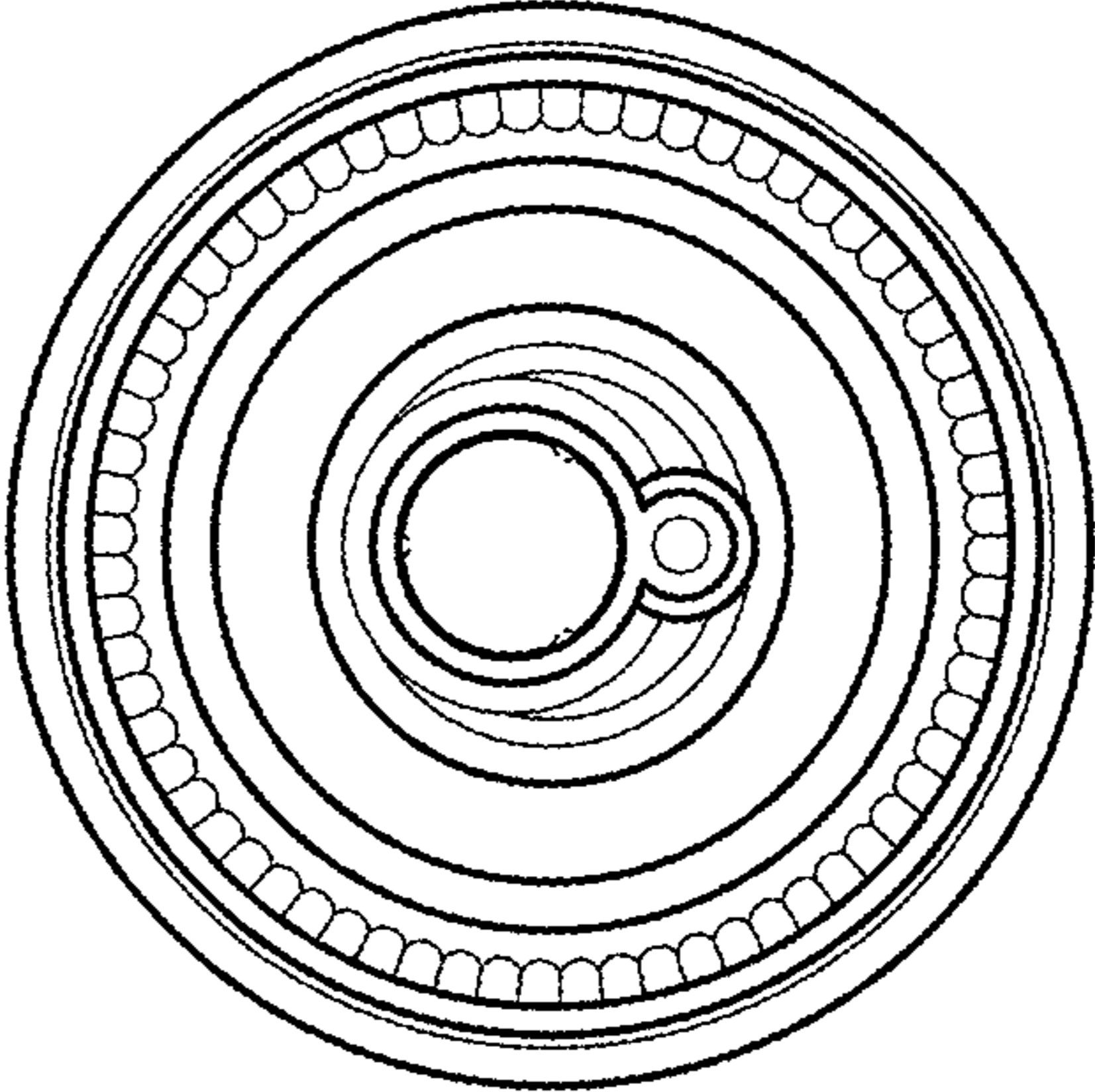


FIG. 2

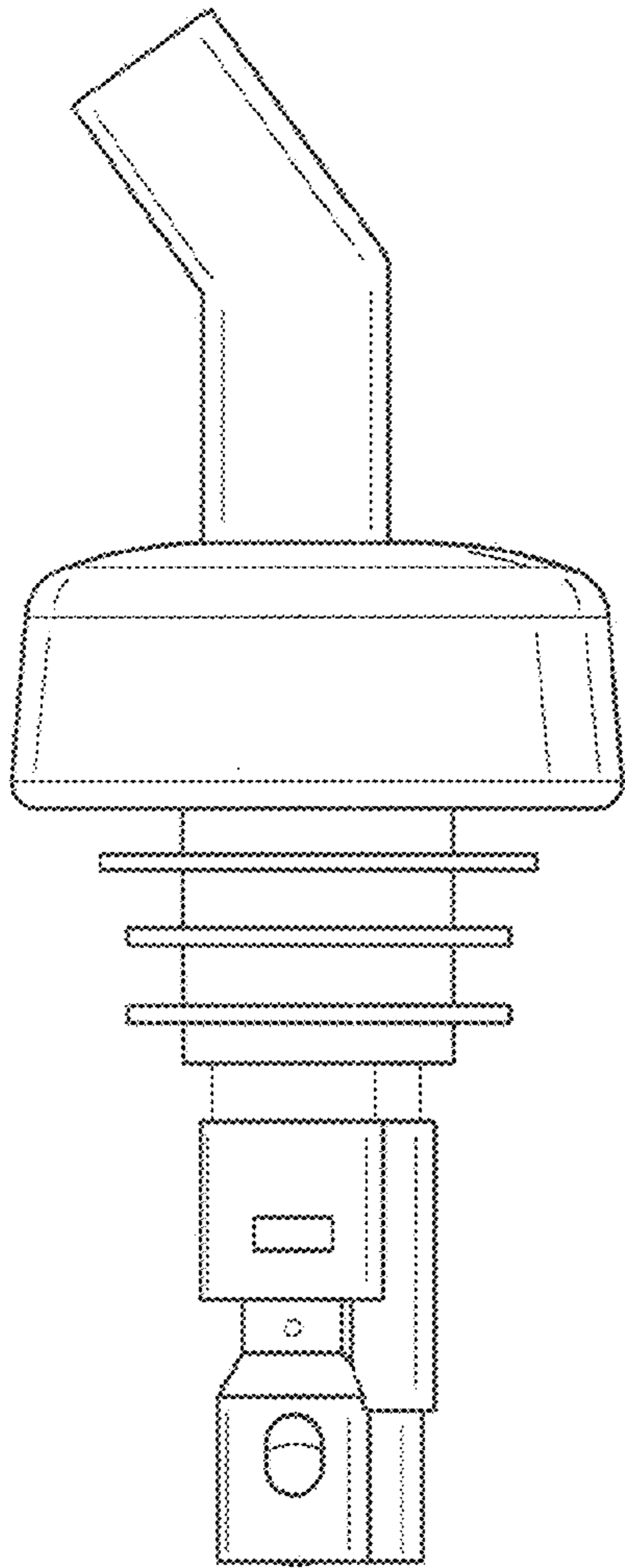


FIG. 3

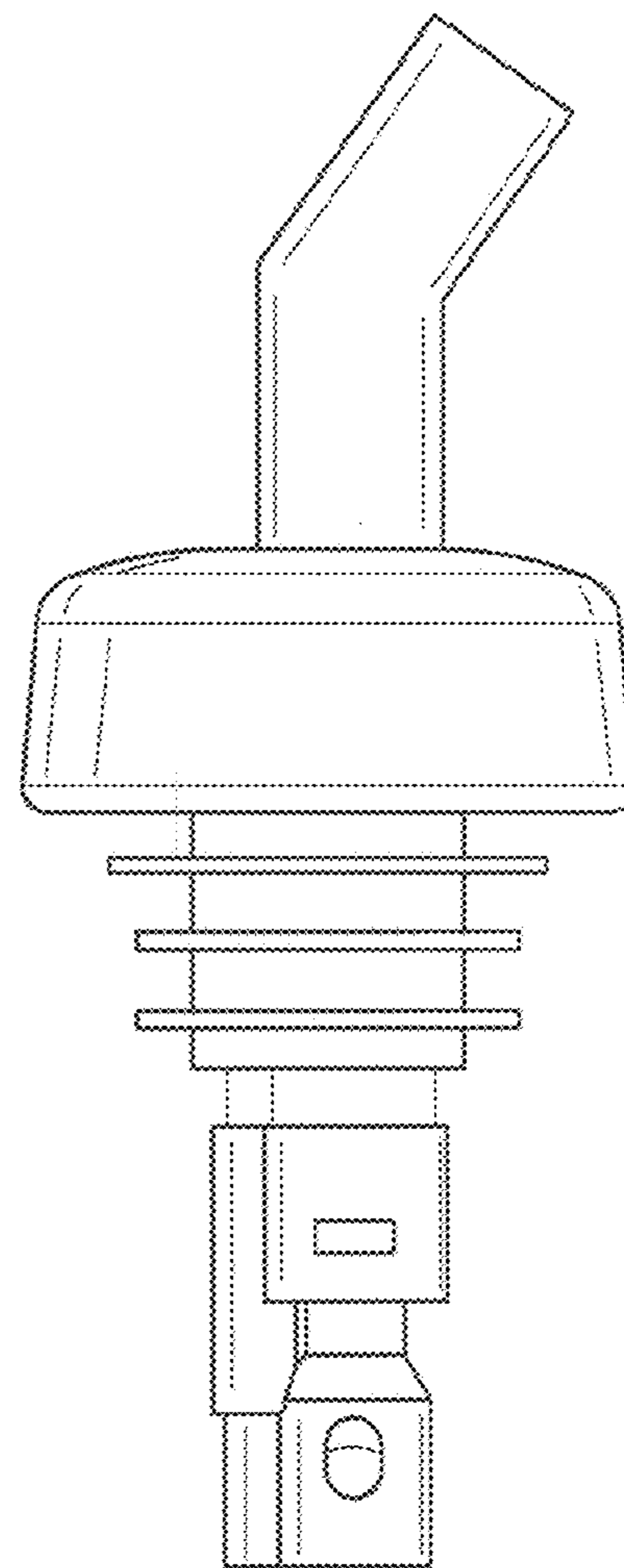


FIG. 4

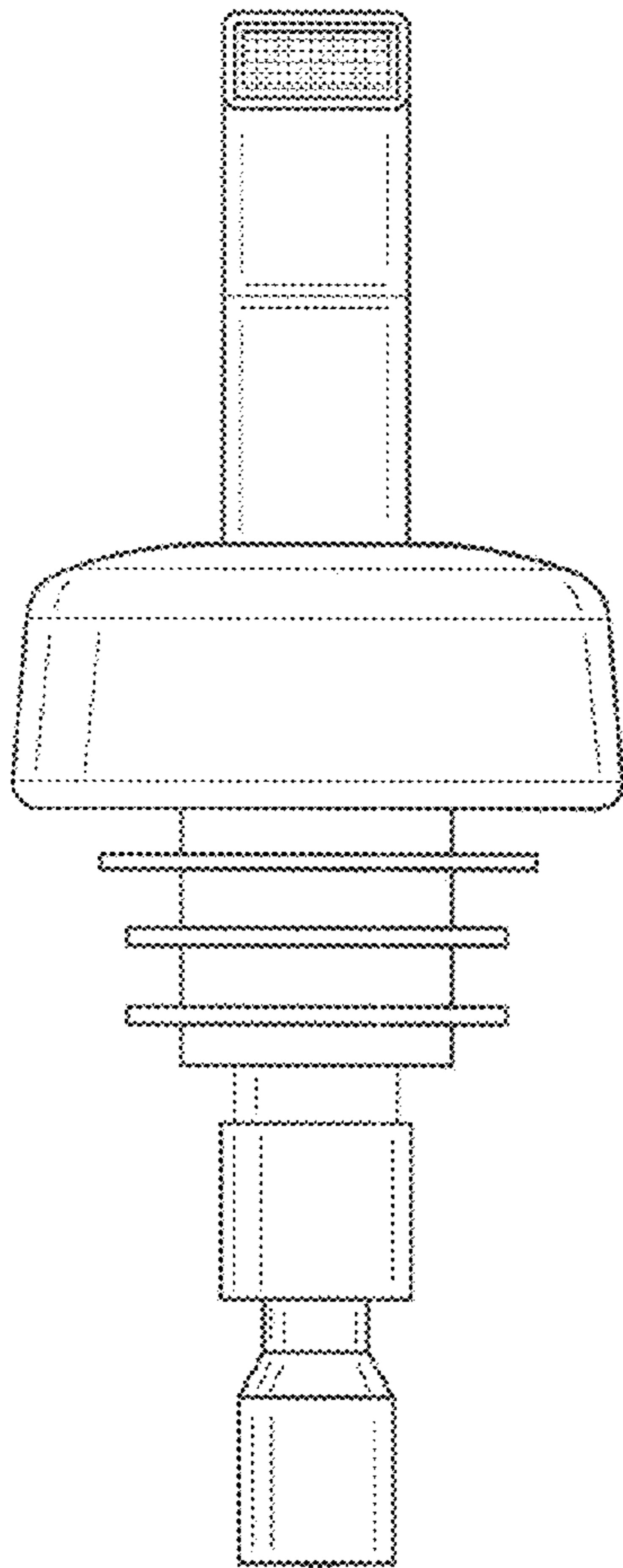


FIG. 5

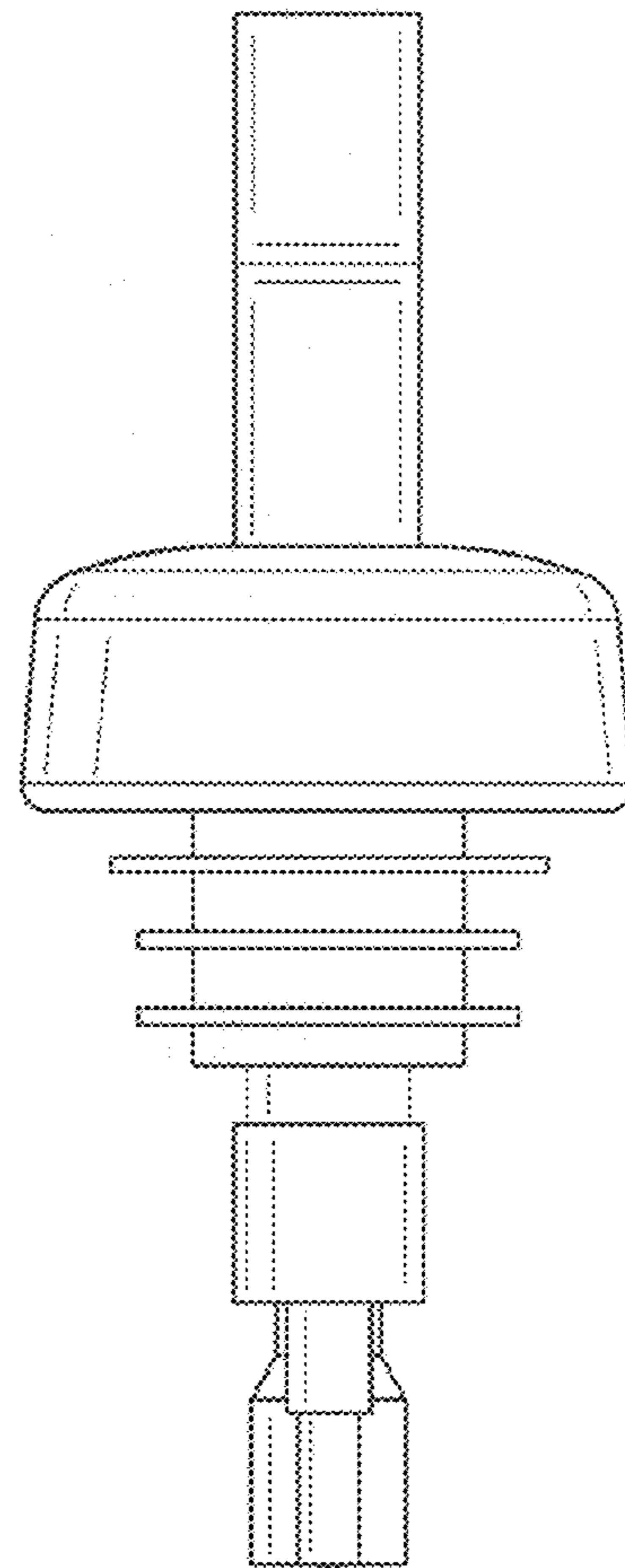


FIG. 6